

US00D942475S

(12) **United States Design Patent** (10) **Patent No.:** **US D942,475 S**
Chen et al. (45) **Date of Patent:** **** Feb. 1, 2022**

(54) **DISPLAY SCREEN OR PORTION THEREOF WITH GRAPHICAL USER INTERFACE**

H04N 2005/44569; H04N 2005/44573;
H04N 21/00; H04N 21/234; H04N
21/431; H04N 21/4312; H04N 21/4314;
H04N 21/4316; H04N 21/4532; H04N
21/4622; H04N

(71) Applicant: **Apple Inc.**, Cupertino, CA (US)

(72) Inventors: **Kevin Will Chen**, Cupertino, CA (US);
Alan C. Dye, San Francisco, CA (US);
Christopher Wilson, San Francisco,
CA (US); **Eric Lance Wilson**, San
Jose, CA (US)

(Continued)

(56) **References Cited**

U.S. PATENT DOCUMENTS

(73) Assignee: **Apple Inc.**, Cupertino, CA (US)

D437,792 S 2/2001 Glauser
D568,178 S 5/2008 Giannini

(**) Term: **15 Years**

(Continued)

(21) Appl. No.: **29/769,870**

OTHER PUBLICATIONS

(22) Filed: **Feb. 8, 2021**

U.S. Trademark Serial No. 78630330 to Novartis AG Aktiengesellschaft.
Filed May 16, 2005. Dated Mar. 20, 2020. Available online via
Trademark Electronic Search System (TESS)(Year: 2005).*

Related U.S. Application Data

(Continued)

(63) Continuation of application No. 29/679,837, filed on
Feb. 11, 2019, now Pat. No. Des. 910,071, which is
(Continued)

Primary Examiner — Christian P. McLean

(51) **LOC (13) Cl.** **14-04**

(74) *Attorney, Agent, or Firm* — Sterne, Kessler,
Goldstein & Fox P.L.L.C.

(52) **U.S. Cl.**

USPC **D14/485**

(57) **CLAIM**

(58) **Field of Classification Search**

USPC D14/485–495

CPC G06F 3/048; G06F 3/0481; G06F 3/04812;
G06F 3/04817; G06F 3/0482; G06F
3/0483; G06F 3/0484; G06F 3/04847;
G06F 3/0485; G06F 3/04855; G06F
3/04886; G06Q 30/00; H03J 1/00; H03J
1/0008; H03J 1/0016; H03J 1/0025;
H04N 5/00; H04N 5/08; H04N 5/14;
H04N 5/222; H04N 5/225; H04N 5/232;
H04N 5/445; H04N 5/44543; H04N 5/45;
H04N 2005/44517; H04N 2005/44521;
H04N 2005/44526; H04N 2005/4453;
H04N 2005/44534; H04N 2005/44539;
H04N 2005/44547; H04N 2005/44556;
H04N 2005/4456; H04N 2005/44565;

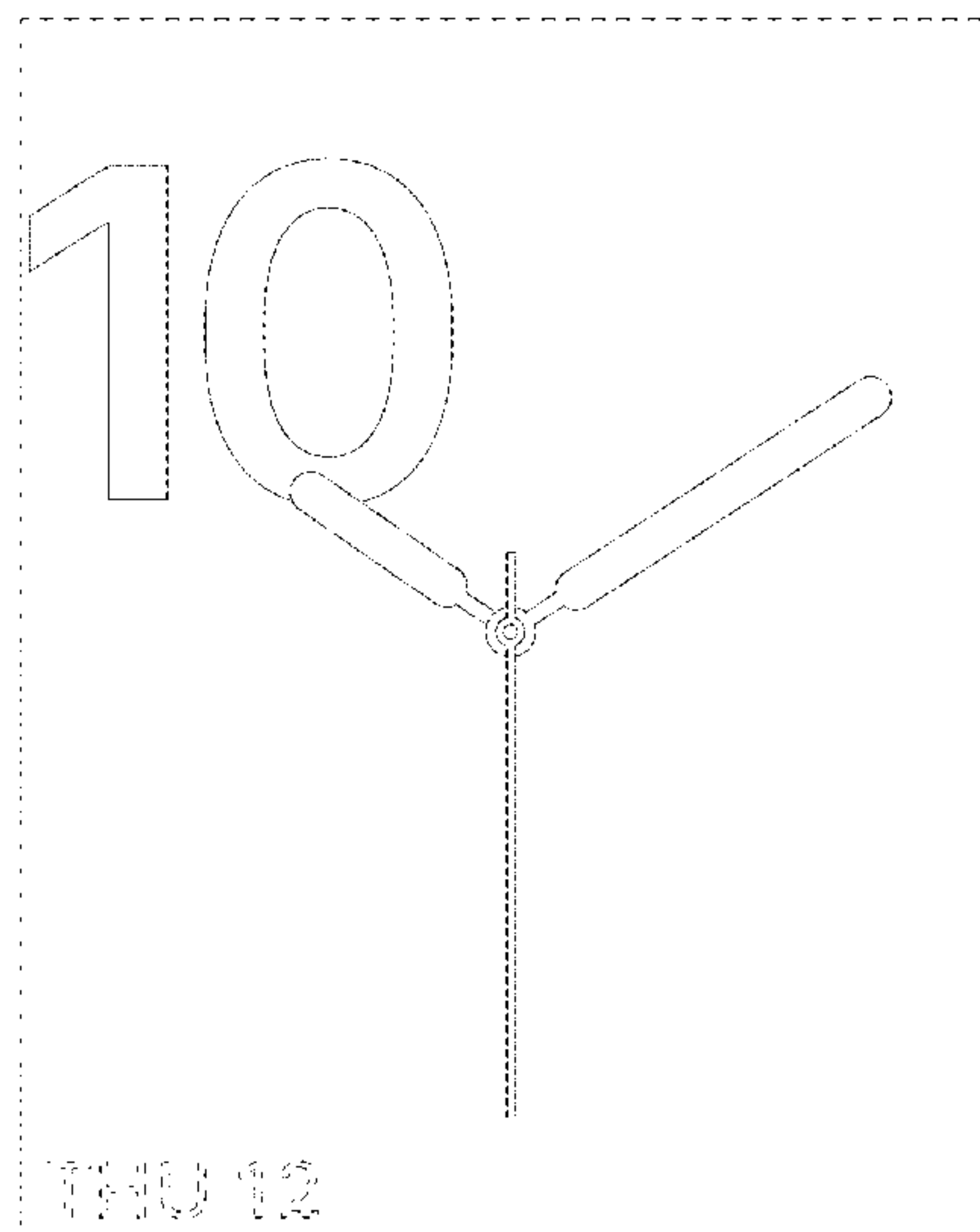
The ornamental design for a display screen or portion
thereof with graphical user interface, as shown and
described.

DESCRIPTION

The FIGURE is a front view of a display screen or portion
thereof with graphical user interface showing the claimed
design.

The outermost broken lines in the FIGURE show a display
screen or portion thereof, and form no part of the claimed
design. The other broken lines in the FIGURE show portions
of the graphical user interface that form no part of the
claimed design.

1 Claim, 1 Drawing Sheet



Related U.S. Application Data

a continuation of application No. 29/616,005, filed on Sep. 1, 2017, now Pat. No. Des. 840,414, which is a continuation of application No. 29/567,696, filed on Jun. 10, 2016, now Pat. No. Des. 796,546.

(58) **Field of Classification Search**

CPC 21/47; H04N 21/478; H04N 21/482; H04N 21/4884; H04N 21/4888; H04N 21/4856; H04N 21/485; H04N 21/6547

See application file for complete search history.

(56) **References Cited**

U.S. PATENT DOCUMENTS

D587,277 S * 2/2009 Park D14/485
 D628,911 S 12/2010 Giannini
 D631,764 S 2/2011 Furetta
 D640,145 S 6/2011 Goto
 D640,574 S 6/2011 Giannini
 D649,889 S 12/2011 Giannini
 D650,705 S 12/2011 Blank
 D667,316 S 9/2012 Tonohori
 D682,850 S 5/2013 Del Pasqua
 D687,062 S * 7/2013 Gardner D14/489
 D688,270 S 8/2013 Jang et al.
 D703,228 S * 4/2014 Abratowski D14/489
 D703,554 S 4/2014 Emmenegger et al.
 D735,060 S 7/2015 Monachon
 9,075,393 B2 * 7/2015 Stotz G04F 8/003
 D737,159 S 8/2015 Akana et al.
 D744,356 S 12/2015 Akana et al.
 D753,695 S 4/2016 Dye et al.
 D754,706 S 4/2016 Hwang
 D755,825 S 5/2016 Hwang
 D755,826 S * 5/2016 Hwang D14/486
 D757,079 S 5/2016 Chaudhri et al.
 D757,080 S 5/2016 Hou
 D760,286 S 6/2016 Park
 D763,885 S 8/2016 Liu
 D763,914 S 8/2016 Butcher et al.
 D765,098 S 8/2016 Chaudhri et al.
 D765,114 S 8/2016 Chaudhri et al.
 D765,681 S 9/2016 Nagel et al.
 D765,693 S 9/2016 Chaudhri et al.
 D766,950 S 9/2016 Dye et al.
 D771,659 S * 11/2016 Dye D14/486
 D775,148 S 12/2016 Anzures et al.
 D784,389 S 4/2017 Kim et al.
 D785,027 S * 4/2017 Dye D14/486
 D785,655 S 5/2017 Akana et al.
 D796,546 S 9/2017 Chen et al.
 D797,135 S 9/2017 Chaudhri et al.
 D800,768 S 10/2017 Kim
 D801,369 S 10/2017 Chaudhri et al.
 D802,614 S 11/2017 Bae et al.
 D803,879 S * 11/2017 Broughton D14/489
 D806,119 S 12/2017 Anzures et al.
 D807,905 S 1/2018 Broughton et al.
 D808,415 S * 1/2018 Butcher D14/486
 D809,543 S 2/2018 Broughton et al.
 D810,110 S 2/2018 Dye et al.
 D813,891 S 3/2018 Chaudhri et al.
 D813,892 S 3/2018 Chaudhri et al.
 D815,134 S * 4/2018 Kim D14/486
 D820,300 S * 6/2018 Broughton D14/486
 D822,698 S * 7/2018 Kim D14/486
 D840,414 S 2/2019 Chen et al.
 D841,676 S 2/2019 Zhang
 D843,381 S 3/2019 Wassrll et al.
 D844,654 S * 4/2019 Dye D14/486
 D848,866 S * 5/2019 Behling D10/39
 D849,774 S * 5/2019 Lee D14/486
 D851,107 S * 6/2019 Kim D14/486
 D857,042 S 8/2019 Lim et al.
 D859,431 S 9/2019 Chaudhri et al.

D868,094 S * 11/2019 Chen G04C 17/0091
 D14/486
 D870,764 S * 12/2019 Seung D14/486
 D873,279 S 1/2020 Dye et al.
 D877,631 S * 3/2020 Muller D10/39
 10,620,590 B1 4/2020 Guzman et al.
 D883,307 S * 5/2020 Broughton D14/485
 D888,077 S * 6/2020 Lee D14/485
 D888,078 S 6/2020 Lee et al.
 D888,079 S 6/2020 Lee et al.
 D898,755 S * 10/2020 Chen G06F 3/0481
 D14/486
 D900,832 S * 11/2020 Chen D14/485
 D902,250 S * 11/2020 Chen D14/492
 D904,434 S * 12/2020 Chen D14/485
 D905,108 S * 12/2020 Kang D14/492
 D910,071 S 2/2021 Chen et al.
 10,936,345 B1 * 3/2021 Guzman G09G 5/37
 D916,748 S * 4/2021 Chaudhri D14/485
 D917,508 S * 4/2021 Broughton D14/485
 D918,961 S * 5/2021 Arena D14/492
 D922,404 S * 6/2021 Lee D14/485
 D928,831 S * 8/2021 Xie D14/488
 D931,889 S * 9/2021 Lee D14/486
 2008/0186808 A1 * 8/2008 Lee G06F 3/04847
 368/10
 2011/0218765 A1 * 9/2011 Rogers G04F 10/00
 702/176
 2013/0271482 A1 * 10/2013 Fendley G09B 29/007
 345/589
 2014/0047525 A1 * 2/2014 Bonhoff G06F 21/36
 726/7
 2015/0253736 A1 9/2015 Watterson
 2016/0034133 A1 2/2016 Wilson et al.
 2016/0034166 A1 * 2/2016 Wilson G06F 1/163
 715/771
 2016/0103985 A1 * 4/2016 Shim A61B 5/02427
 726/19
 2016/0261675 A1 * 9/2016 Block G06F 3/0481
 2016/0357386 A1 12/2016 Choi
 2016/0358311 A1 * 12/2016 Chen G06F 40/109
 2017/0053542 A1 * 2/2017 Wilson G09B 5/02
 2017/0269792 A1 * 9/2017 Xu G06F 3/048
 2017/0357427 A1 12/2017 Wilson et al.
 2019/0279520 A1 * 9/2019 Wilson G09B 19/003
 2020/0356063 A1 11/2020 Guzman et al.
 2020/0379565 A1 * 12/2020 Fleizach G04G 9/0064

OTHER PUBLICATIONS

U.S. Trademark Serial No. 78630320 to Novartis AG Aktiengesellschaft. Filed May 16, 2005. Dated Mar. 20, 2020. Available online via Trademark Electronic Search System (TESS)(Year: 2005).*

Strauss, Paul. "Apple Watch (iWatch) Revealed." technabob.com. Sep. 9, 2014. Retrieved Mar. 23, 2021 online at URL: <https://technabob.com/blog/2014/09/09/apple-watch-iwatch/> (Year: 2014).*

Faust, Andry. "Ranking The Apple Watch Faces." watchaware.com. May 6, 2015. Retrieved Mar. 23, 2021 online at URL: <https://watchaware.com/post/11854/ranking-the-apple-watch-faces> (Year: 2015).*

"Flat smartphone icon—Stock Vector Image." depositphotos.com. Apr. 24, 2017. Retrieved Mar. 23, 2021 online at URL: <https://depositphotos.com/151209262/stock-illustration-flat-smartphone-icon.html> (Year: 2017).*

Hodgkins, Kelly. "How to change and customize the watch face on your Apple Watch." iphonehacks.com. Posted Apr. 26, 2015. Retrieved Mar. 23, 2021 online at URL: <https://www.iphonehacks.com/2015/04/how-to-change-customize-watch-face-apple-watch.html> (Year: 2015).*

Dotson, Carter. "These Watch Faces from 'Monument Valley' Developer Ustwo Need to Come to Apple Watch, Now." toucharcade.com. Apr. 16, 2015. Retrieved Mar. 23, 2021 online at URL: <https://toucharcade.com/2015/04/16/these-watch-faces-from-monument-valley-developer-ustwo-need-to-come-to-apple-watch-now/>(Year: 2015).*

(56)

References Cited

OTHER PUBLICATIONS

Yamashita, Yohei, Flickrriver, "Panerai Luminor Marina" <<http://www.flickrriver.com/photos/monana7/3958285548/>> dated Sep. 27, 2009.

"App clock Icon", posted at iconarchive.com, Aug. 13, 2011. Available from Internet: <<http://www.iconarchive.com/show/crystal-clear-icons-by-everaldo/App-clock-icon.html>>.

JPO's document HJ23040214, Oct. 24, 2011.

"Vector Wall Clock", posted at canstockphoto.com, Oct. 22, 2012. Available from Internet: <http://www.canstockphoto.com/illustration/watch.html#file_view.php?id=11287520>.

Dezeen Magazine, "No. 1 by Form Us With Love for TID Watches" <<http://www.dezeen.com/2012/10/29/no-1-watch-by-form-us-with-love-for-tid-at-dezeen-watch-store/>> dated Oct. 29, 2012.

Ma, Louis, "iWatchHome", posted at iwatchhome.net, Apr. 18, 2013, © 2011 Cite IWW [online]. Available from Internet: <http://www.iwatchhome.net/Column_Dr_paper.php?article_id=C01300053>.

JPO's document HJ25006511, Apr. 30, 2013.

Smith, David. "Pedometer++2.3: Embracing the Apple Watch." david-smith.org. Dec. 3, 2015. Accessed Jun. 4, 2017. Available online at URL: <<https://david-smith.org/blog/2015/12/03/pedometer-plus-plus-2-do-t-3-embracing-the-apple-watch/>>.

Hollington, Jesse. "Instant Expert: Secrets & Features of watchOS 3." ilounge.com. Sep. 15, 2016. Accessed Jun. 4, 2016. Available online at URL: <<http://www.ilounge.com/index.php/articles/comments/instant-expert-secrets-features-of-watchos-3>>.

Mathy, Mandy. "Apple iWatch Countdown Timer (v157) Clock with sound effects and voice HD! ¼." YouTube.com. 1:00-1:35. Published Sep. 21, 2014. <https://www.youtube.com/watch?v=iaVSnB5oKGU&t=59s>.

Tweedie, Steven. "Here's why the Apple Watch always shows the time as 10:09 in advertisements." businessinsider.com. Mar. 10, 2015. <https://www.businessinsider.com/why-apple-watches-all-display-1009-in-advertisements-2015-3>.

Gil, Lory. "How to Choose and Customize Your Watch Face on Apple Watch." macrumors.com. May 1, 2015. <https://www.macrumors.com/how-to/choose-apple-watch-faces/>.

Bond, John-Michael. "Here is every watch face shown during the Apple Watch announcement." engadget.com. Sep. 11, 2014 <https://www.engadget.com/2014/09/11/here-is-every-watch-face-shown-during-the-apple-watch-announcement/>.

Swatch Group Japan KK, Be surprised Irony Lady, Swatch Irony Lady Swatch, Apr. 30, 2013. http://jp-shop.swatch.jp/fs/swatchec/GoodsAdditionalImagePopup.html?goods_id=1050.

(JPO publicly known document No. HJ25006511).

Ottagono, Nov. 2005, JPO Document HB17013640.

"Apple Watch update: Apple shows new timekeeping, health and fitness features." phonearena.com. Dated Nov. 27, 2014. Available online at URL: https://www.phonearena.com/news/Apple-Watch-update-Apple-shows-new-timekeeping-health-and-fitness-features_id63295.

Ho, Joshua and Chester, Brandon. "The Apple Watch Review." anandtech.com. Dated Jul. 20, 2015. Available online at URL: <https://www.anandtech.com/show/9381/the-apple-watch-review/4>.

* cited by examiner

