

US00D942462S

(12) **United States Design Patent**  
**Xie**

(10) **Patent No.:** **US D942,462 S**

(45) **Date of Patent:** **\*\* Feb. 1, 2022**

(54) **COMPUTER DESK**

(71) Applicant: **SHENZHEN BESTQI INNOVATION TECHNOLOGY CO., LTD**, Shenzhen (CN)

(72) Inventor: **Menghong Xie**, Shenzhen (CN)

(73) Assignee: **SHENZHEN BESTQI INNOVATION TECHNOLOGY CO., LTD**, Shenzhen (CN)

(\*\*) Term: **15 Years**

(21) Appl. No.: **29/760,517**

(22) Filed: **Dec. 2, 2020**

(51) **LOC (13) Cl.** ..... **08-07**

(52) **U.S. Cl.**  
USPC ..... **D14/447**

(58) **Field of Classification Search**  
USPC ..... D14/447, 432, 434, 439, 440, 451, 452, D14/457, 239, 253; D8/363, 373, 380; D6/406.3, 406.4, 406.5, 406.6; D12/415; D21/333, 332  
CPC ..... A47B 21/04; A47B 2097/006; A47B 2097/005; A47B 2023/049; A45C 2011/002; A45C 2011/003; F16M 2200/00; F16M 13/00

See application file for complete search history.

(56) **References Cited**

**U.S. PATENT DOCUMENTS**

D454,353 S \* 3/2002 Hicks ..... D14/457  
D559,257 S \* 1/2008 Hughes ..... D14/451

D637,600 S \* 5/2011 Leyva-Menendez ..... D14/447  
D644,237 S \* 8/2011 Hall, II ..... D14/457  
D864,211 S \* 10/2019 Tuang ..... D14/451  
D880,913 S \* 4/2020 Kuo ..... D6/705  
D908,133 S \* 1/2021 Huang ..... D14/447  
D910,645 S \* 2/2021 Lyu ..... D14/451  
D914,028 S \* 3/2021 Lyu ..... D14/451  
D914,029 S \* 3/2021 Lyu ..... D14/451  
D914,692 S \* 3/2021 Lyu ..... D14/451  
D933,461 S \* 10/2021 Xie ..... D8/363  
D935,471 S \* 11/2021 Huang ..... D14/451

\* cited by examiner

*Primary Examiner* — Angela J Lee

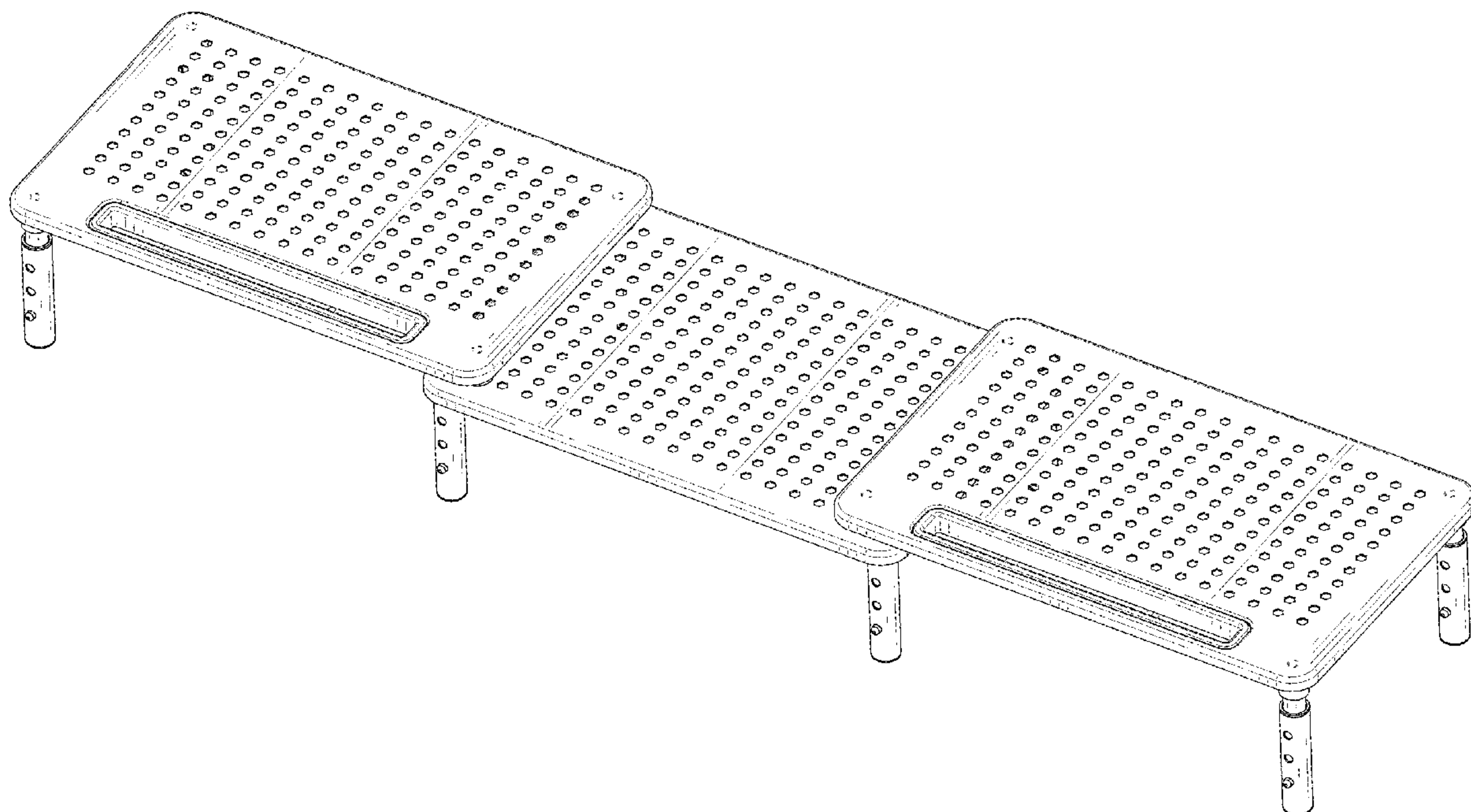
(57) **CLAIM**

The ornamental design for a computer desk, as shown and described.

**DESCRIPTION**

FIG. 1 is a perspective view of a computer desk showing my new design;  
FIG. 2 is another perspective view thereof;  
FIG. 3 is a front elevational view thereof;  
FIG. 4 is a rear elevational view thereof;  
FIG. 5 is a left side elevational view thereof;  
FIG. 6 is a right side elevational view thereof;  
FIG. 7 is a top plan view thereof;  
FIG. 8 is a bottom plan view thereof;  
FIG. 9 is a perspective view of the computer desk where the computer desk is shown in an alternate position; and,  
FIG. 10 is a perspective view of the computer desk where the computer desk is in another alternate position.  
The broken lines in the drawings depict portions of the computer desk that form no part of the claimed design.

**1 Claim, 10 Drawing Sheets**



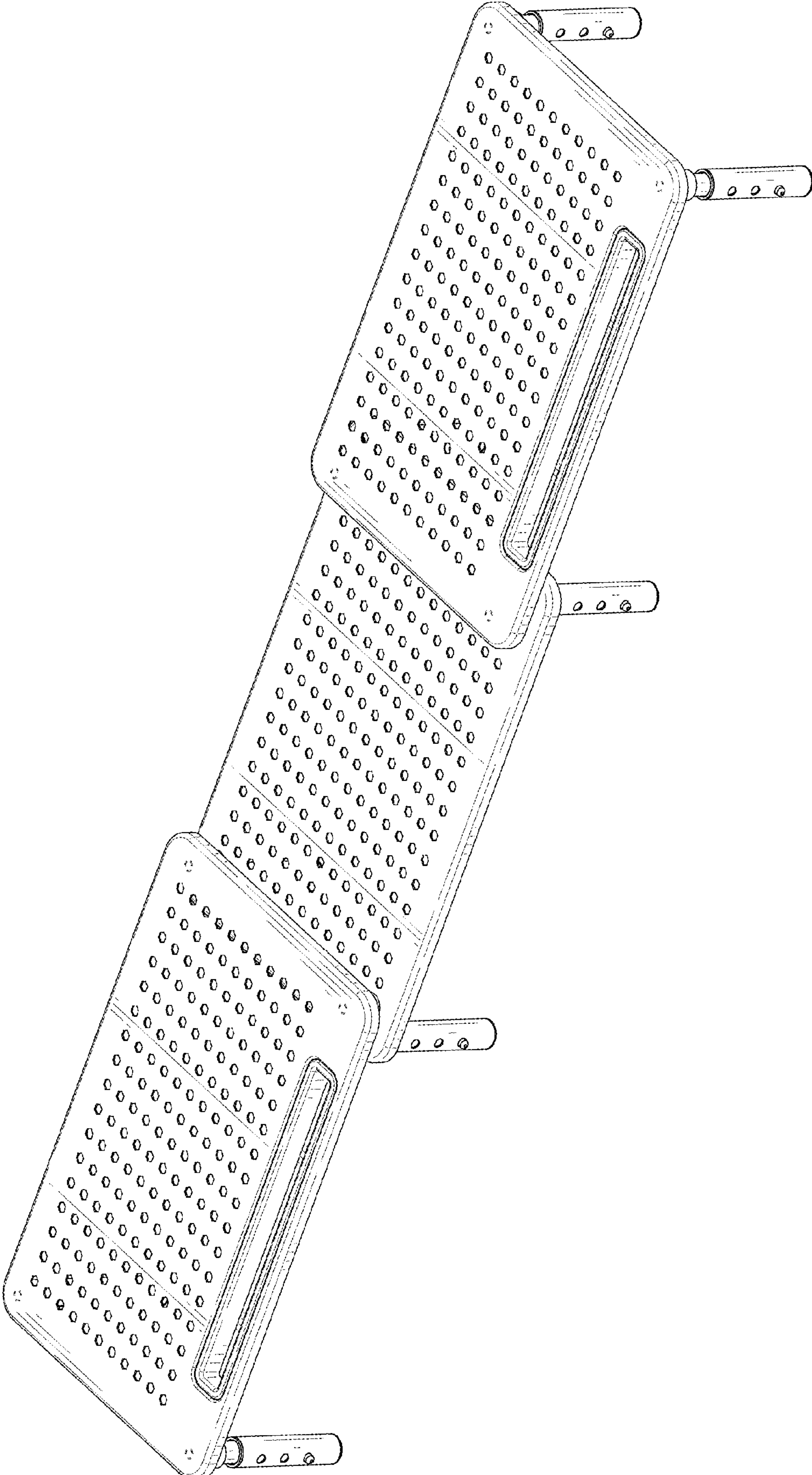


FIG. 1



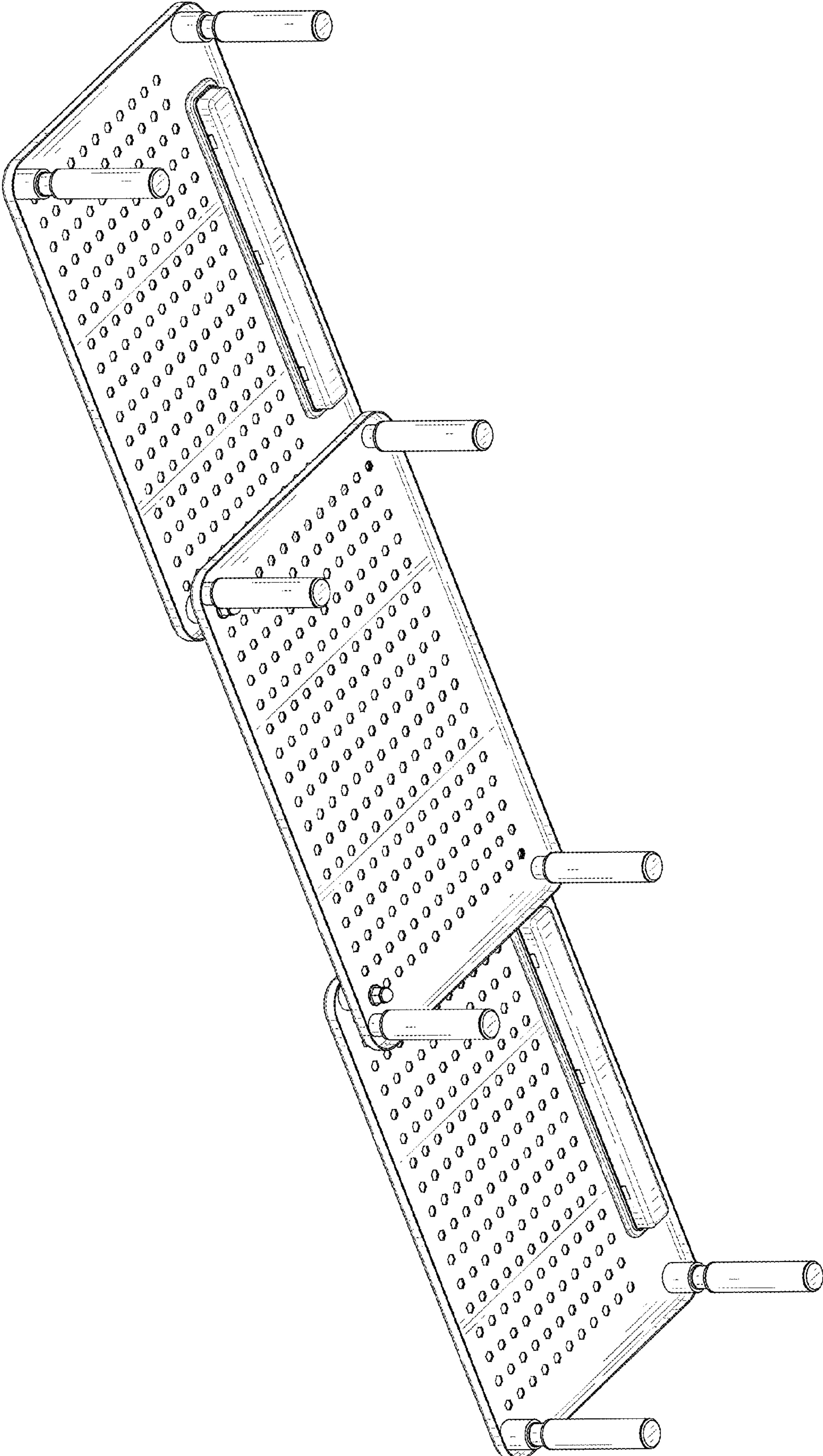


FIG. 2

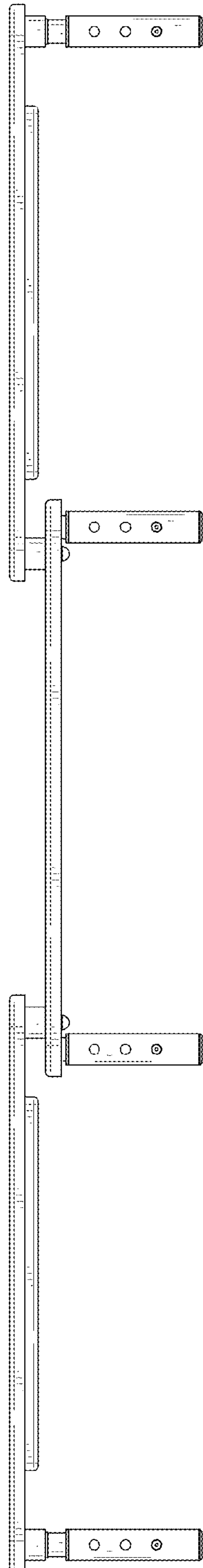


FIG. 3

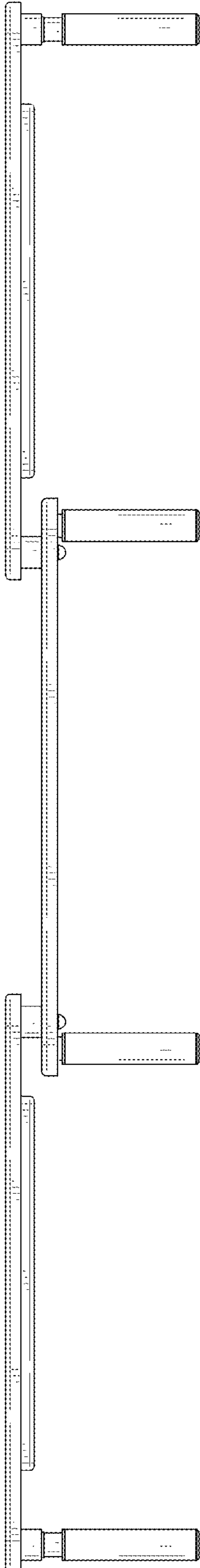


FIG. 4

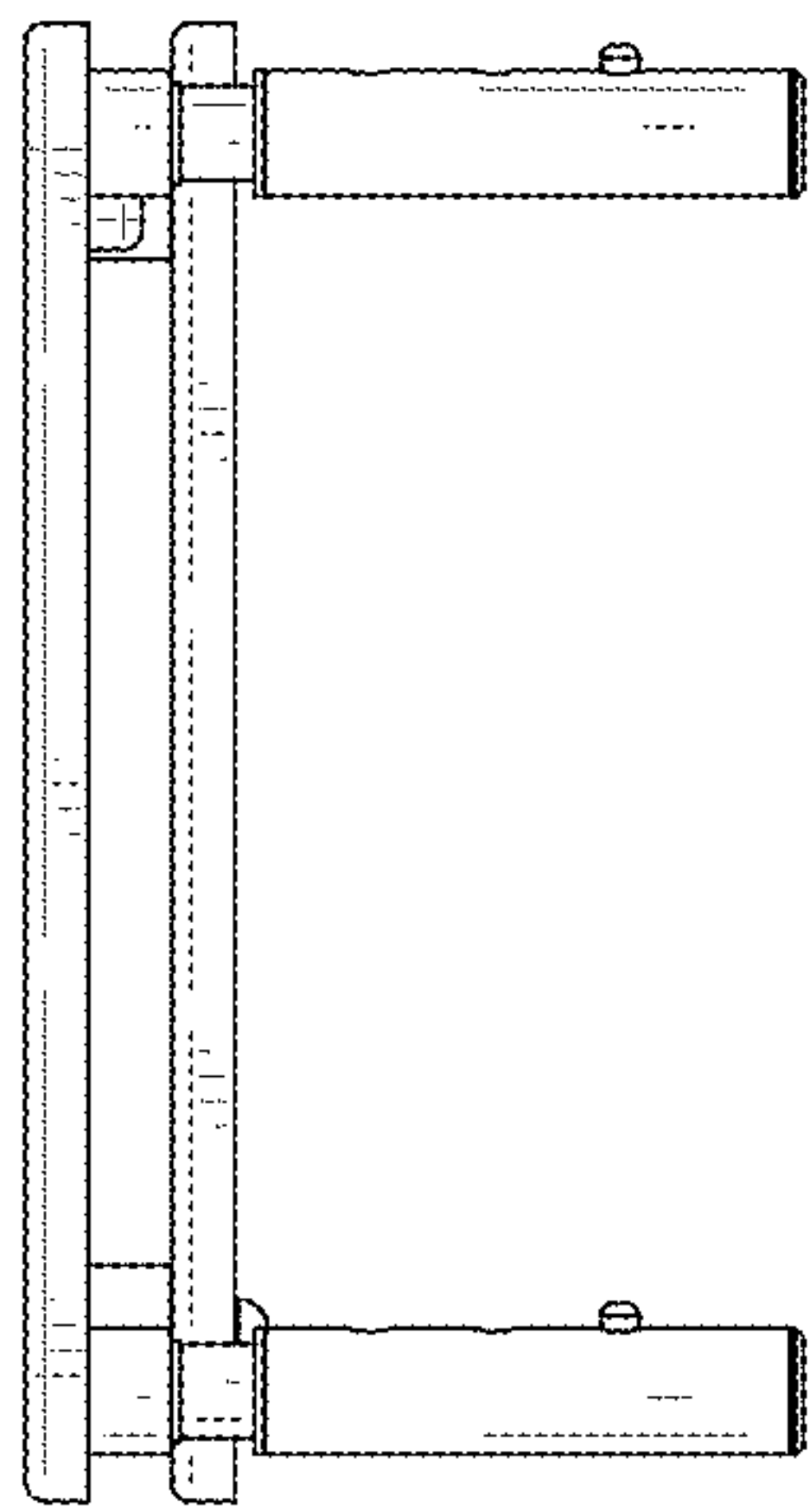


FIG. 5

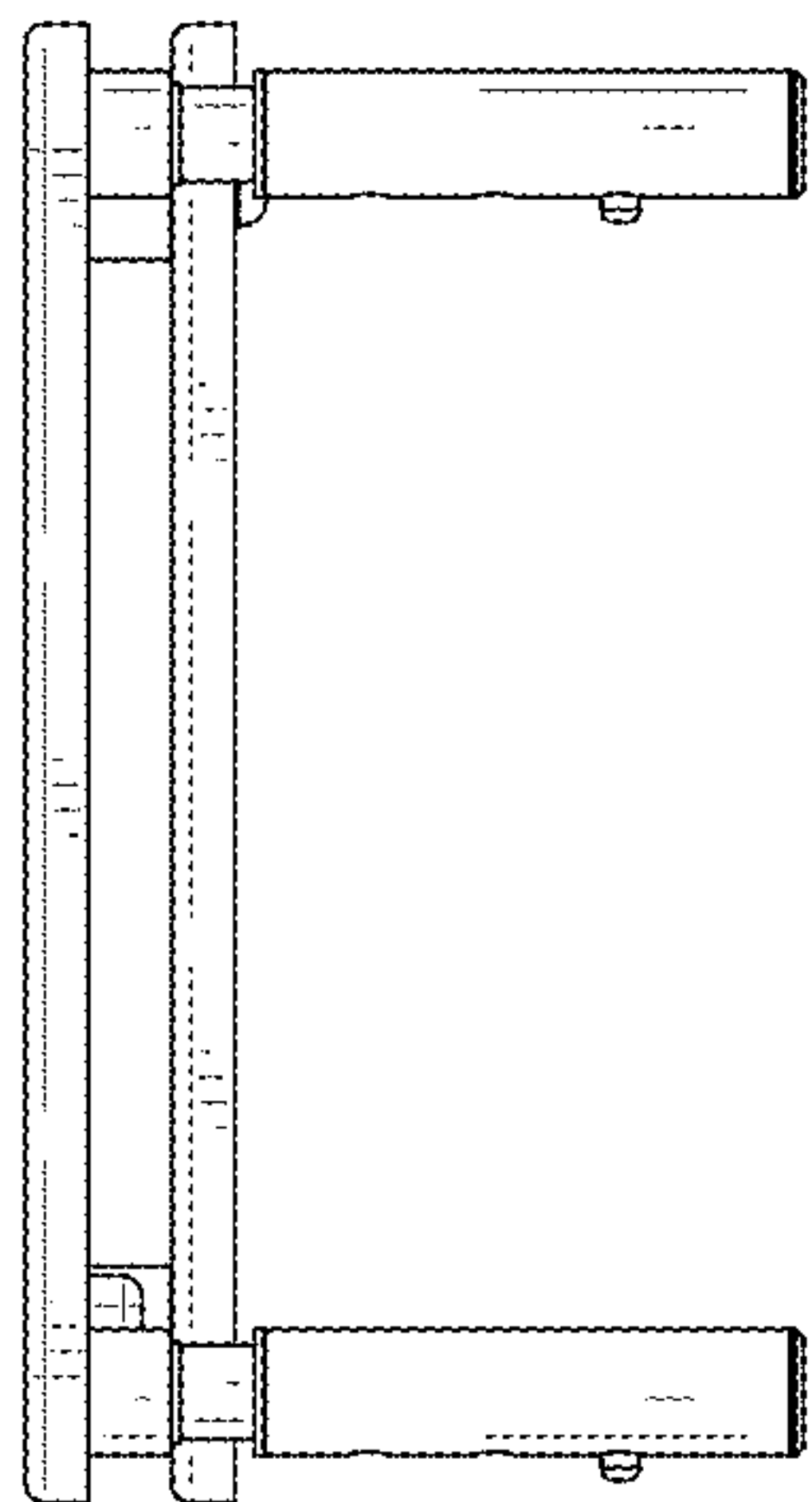


FIG. 6

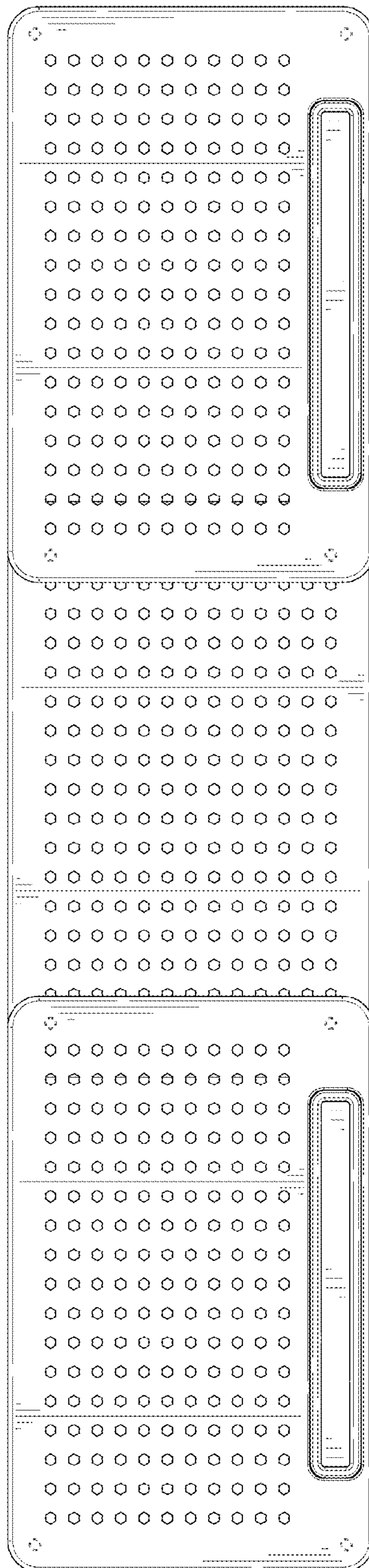


FIG. 7



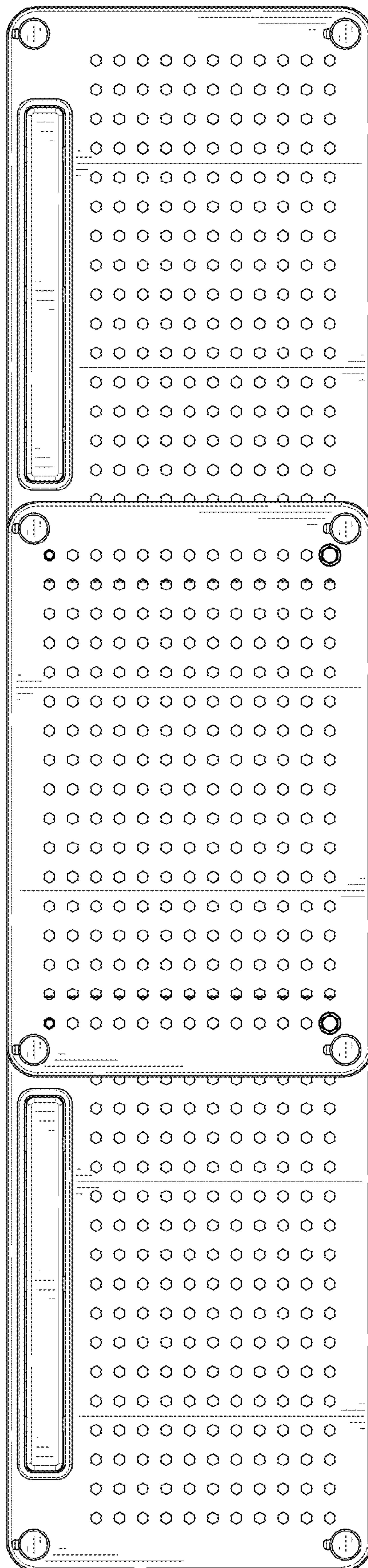


FIG. 8

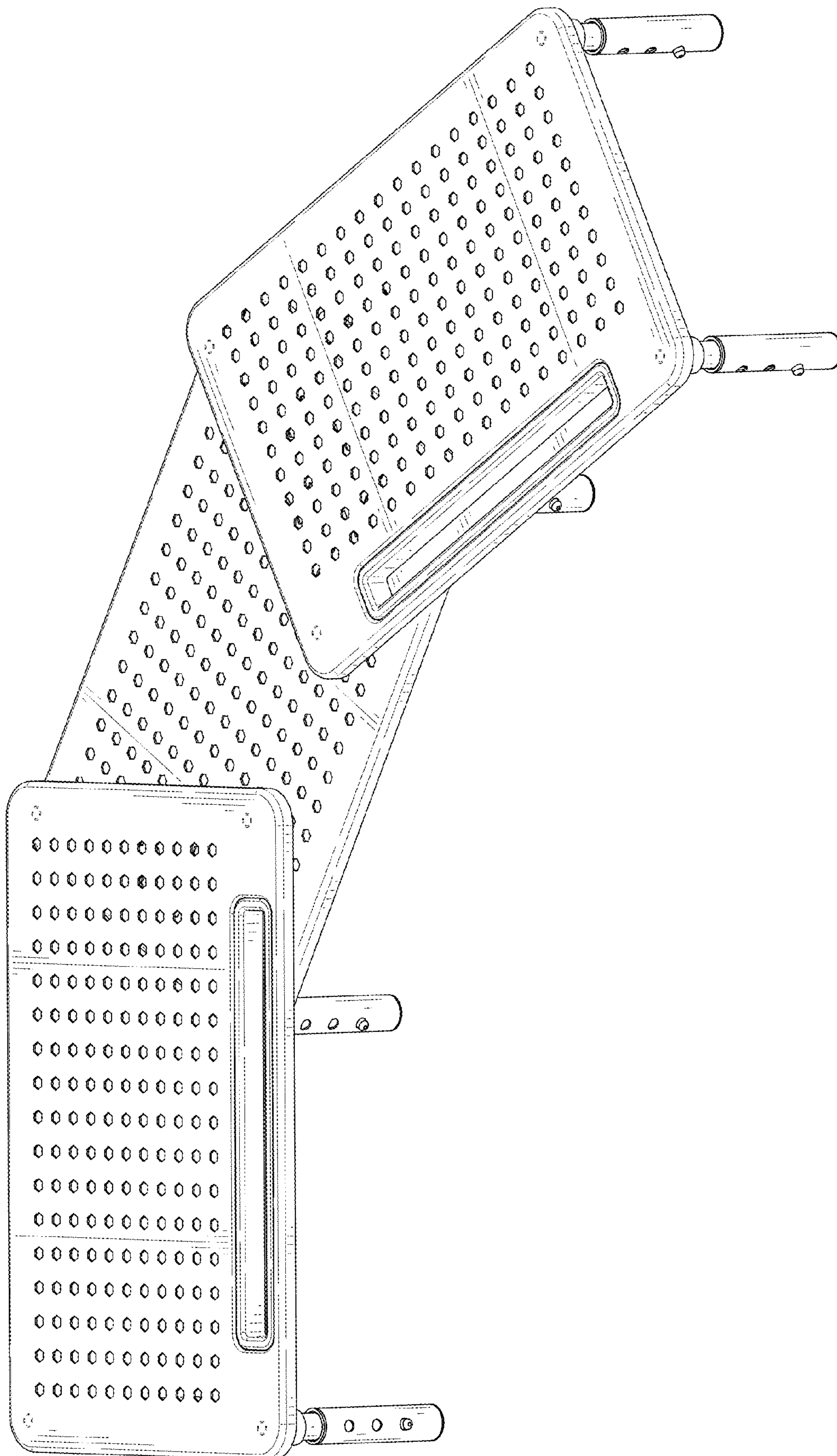


FIG. 9

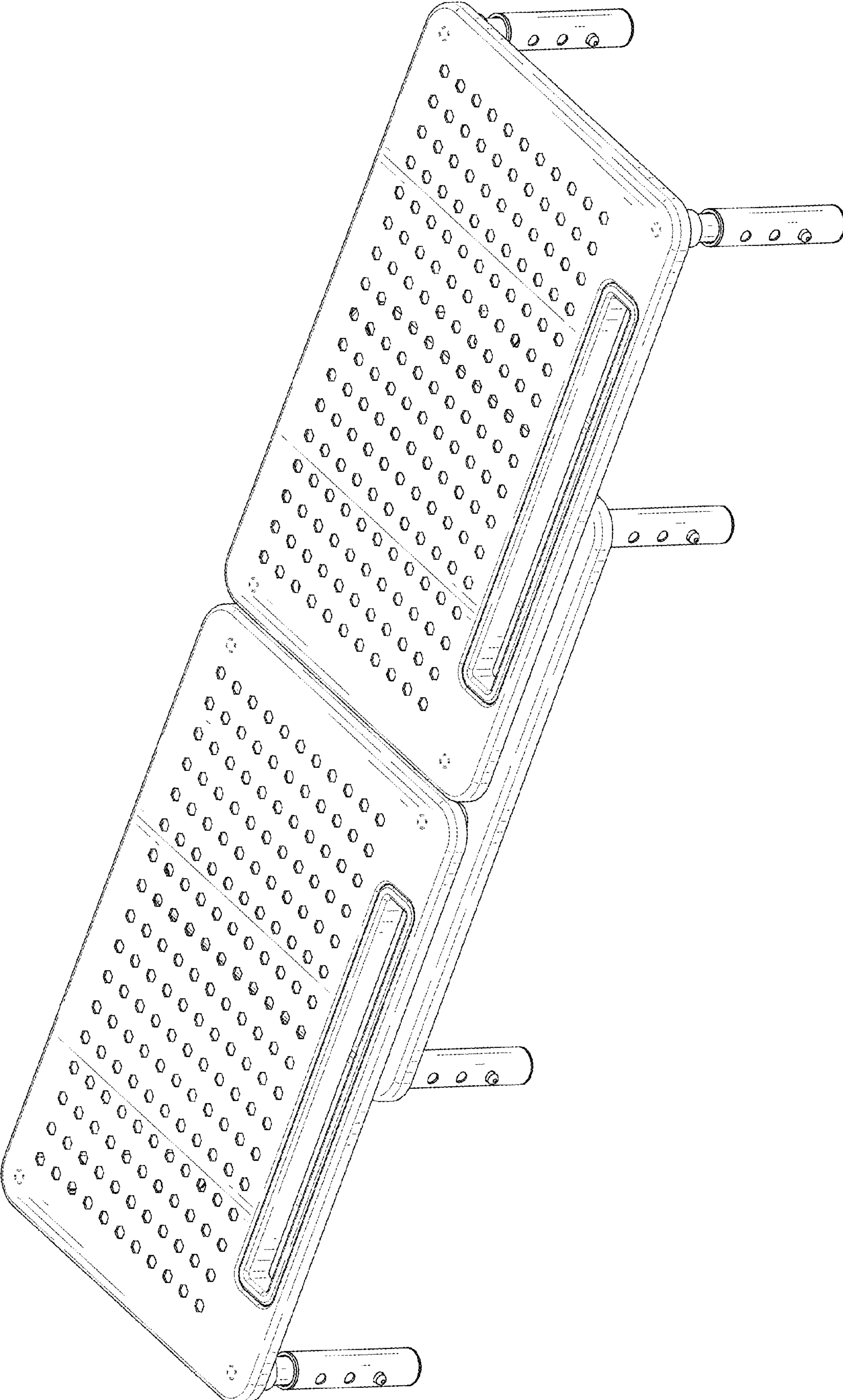


FIG. 10