



US00D942461S

(12) **United States Design Patent**
Chen

(10) **Patent No.:** **US D942,461 S**

(45) **Date of Patent:** **** Feb. 1, 2022**

(54) **CPU HOLDER**

(71) Applicant: **Shenzhen Prime Technology Co., Ltd,**
Shenzhen (CN)

(72) Inventor: **HuaSheng Chen,** Shenzhen (CN)

(**) Term: **15 Years**

(21) Appl. No.: **29/752,742**

(22) Filed: **Sep. 29, 2020**

(51) **LOC (13) Cl.** **08-07**

(52) **U.S. Cl.**
USPC **D14/447**

(58) **Field of Classification Search**
USPC D14/447, 432, 434, 439, 440, 451, 452,
D14/457, 239, 253; D8/363, 373, 380;
D6/406.3, 406.4, 406.5, 406.6; D12/415;
D13/108
CPC A47B 21/04; A47B 2097/006; A47B
2097/005; A47B 2023/049; A45C
2011/002; A45C 2011/003; F16M
2200/00; F16M 13/00
See application file for complete search history.

(56) **References Cited**

U.S. PATENT DOCUMENTS

D287,365 S * 12/1986 Judd D14/447
D366,659 S * 1/1996 Ross D14/447
D468,747 S * 1/2003 Kwon D14/447
D482,039 S * 11/2003 Chen D14/447
D490,437 S * 5/2004 Miao D14/447

D652,040 S * 1/2012 Morgan D14/434
D676,056 S * 2/2013 Liang D14/447
D818,525 S * 5/2018 Burmester D18/12
D825,576 S * 8/2018 Krupa D14/447
D829,723 S * 10/2018 Kanter D14/447
D829,724 S * 10/2018 Chun D14/447
D847,800 S * 5/2019 Wengreen D14/238.1
D856,320 S * 8/2019 Li D14/253

* cited by examiner

Primary Examiner — Angela J Lee

(57) **CLAIM**

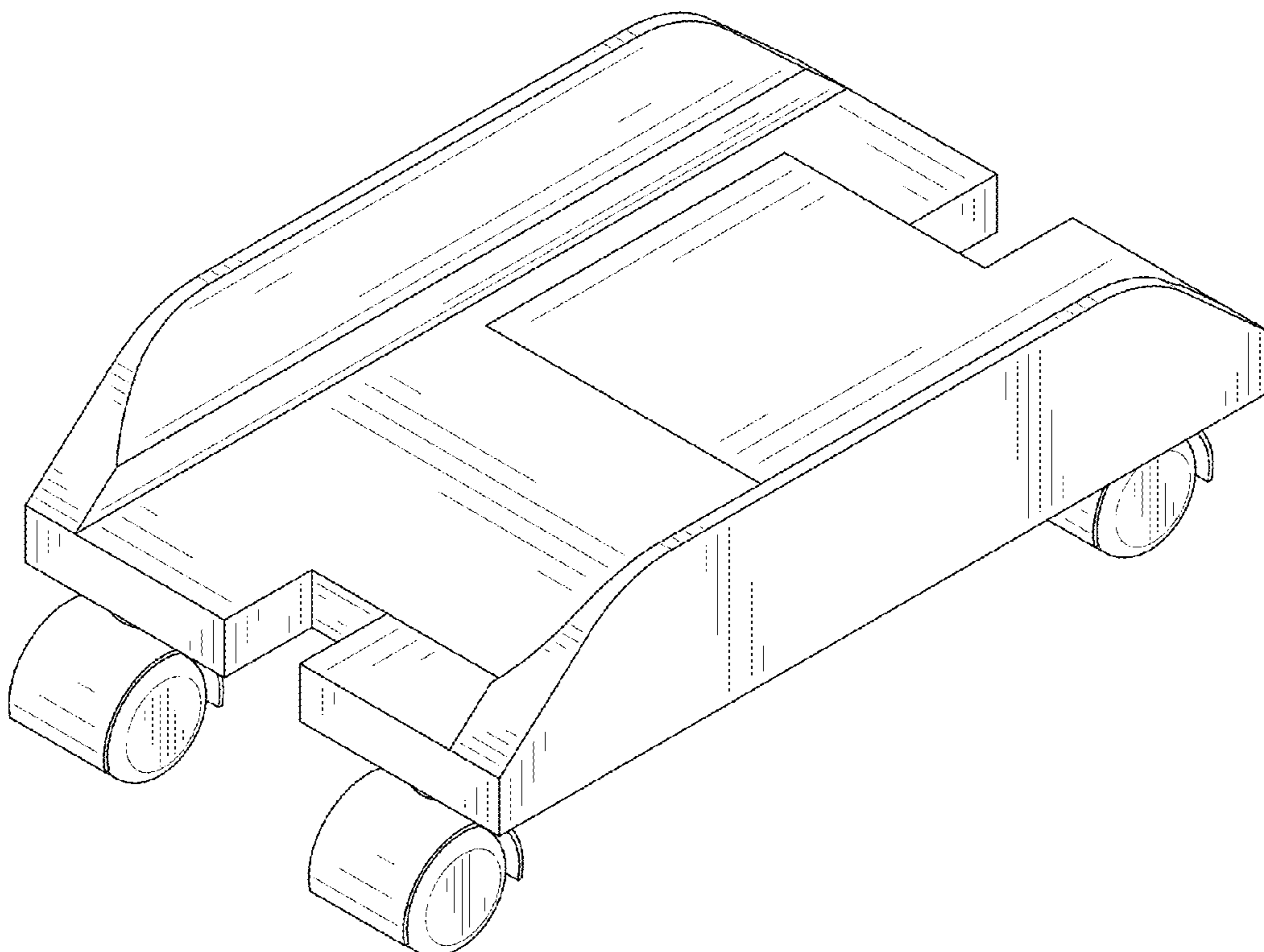
The ornamental design for a CPU holder, as shown and described.

DESCRIPTION

FIG. 1 is a first perspective view of a CPU holder showing my new design;
FIG. 2 is a second perspective view thereof;
FIG. 3 is a front view thereof;
FIG. 4 is a back view thereof;
FIG. 5 is a left side view thereof;
FIG. 6 is a right side view thereof;
FIG. 7 is a top view thereof; and,
FIG. 8 is a bottom view thereof.

The broken lines shown in the drawings depict portions of the CPU holder in which the design is embodied that form no part of the claimed design.

1 Claim, 8 Drawing Sheets



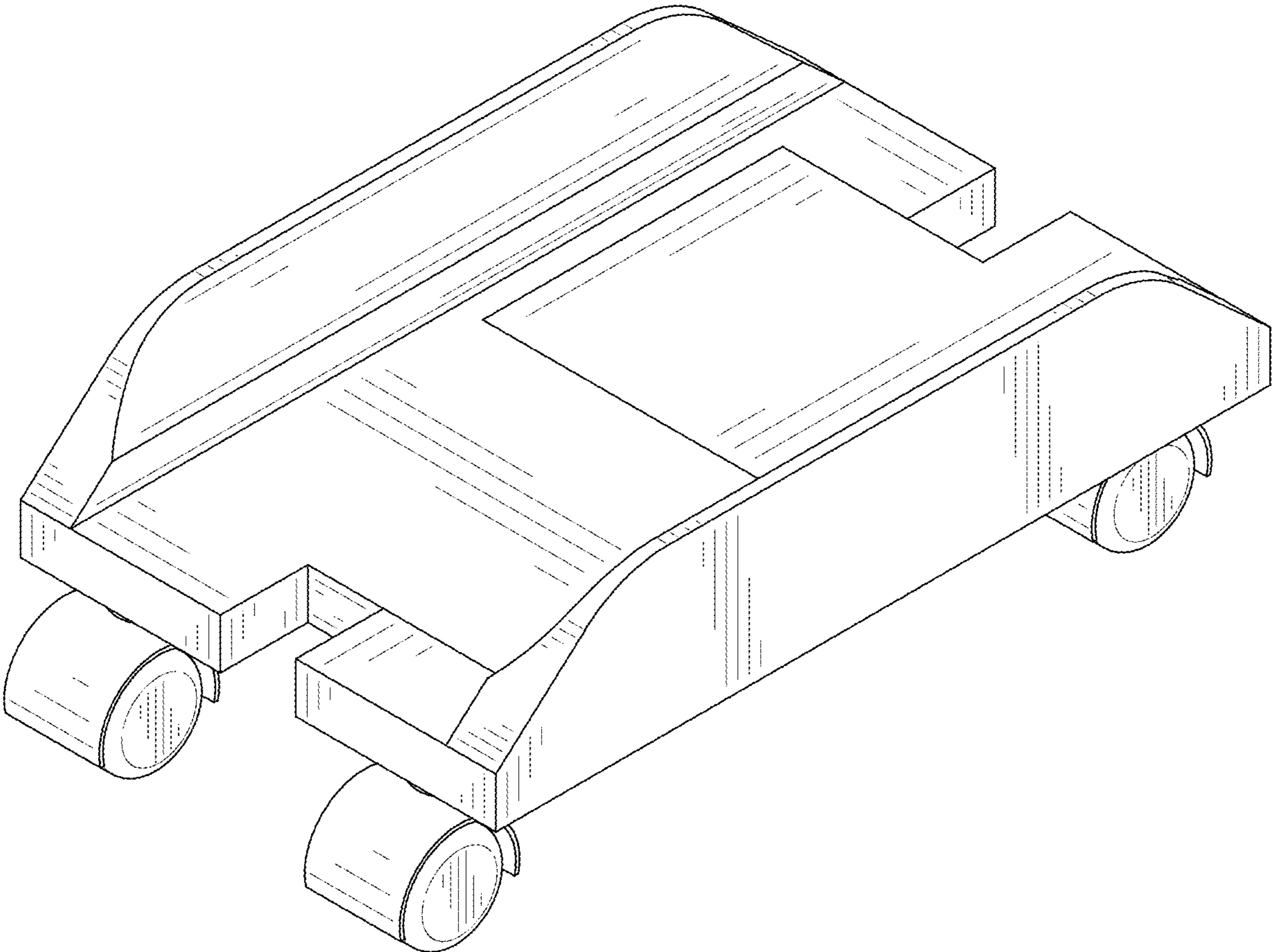


FIG. 1

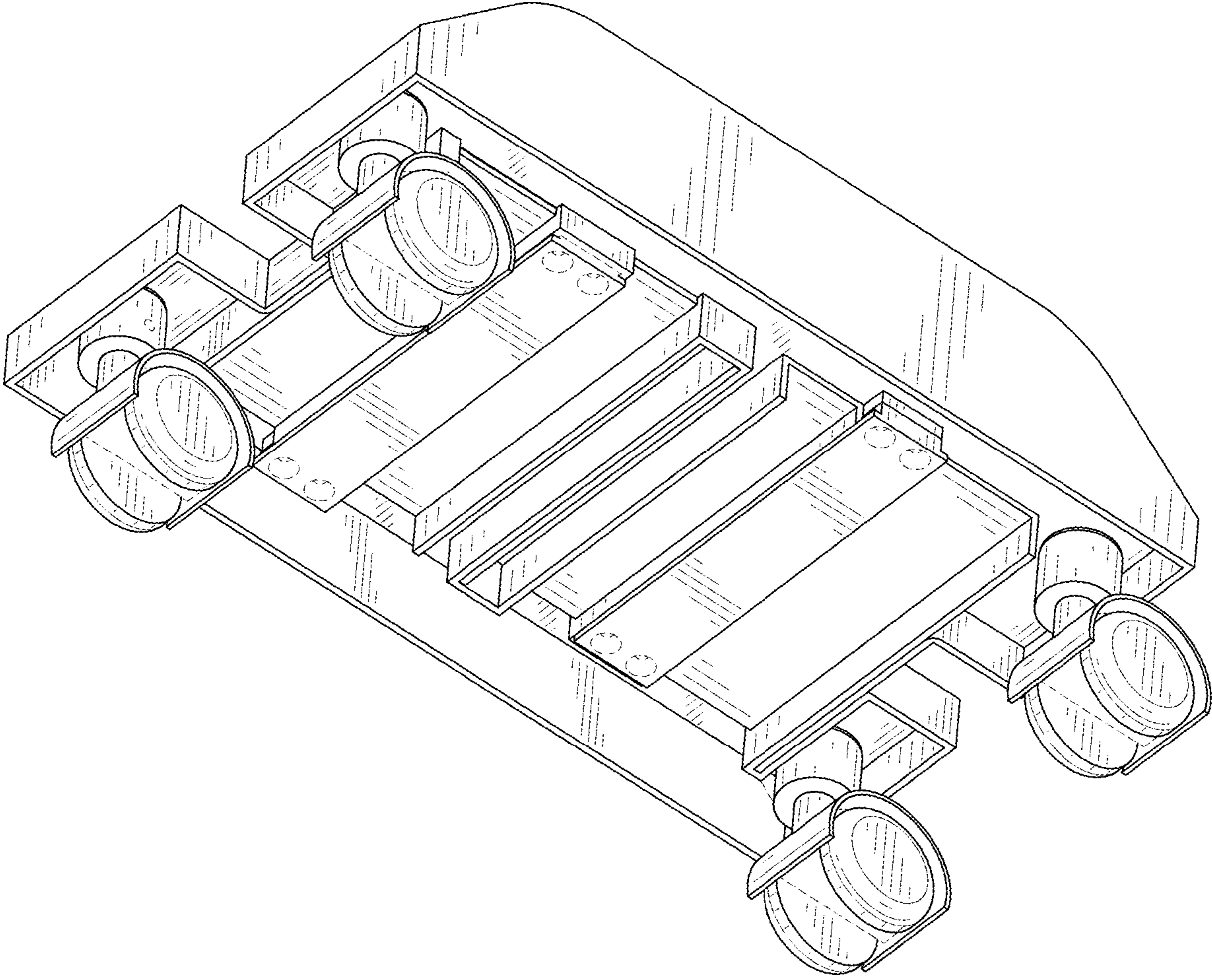


FIG. 2

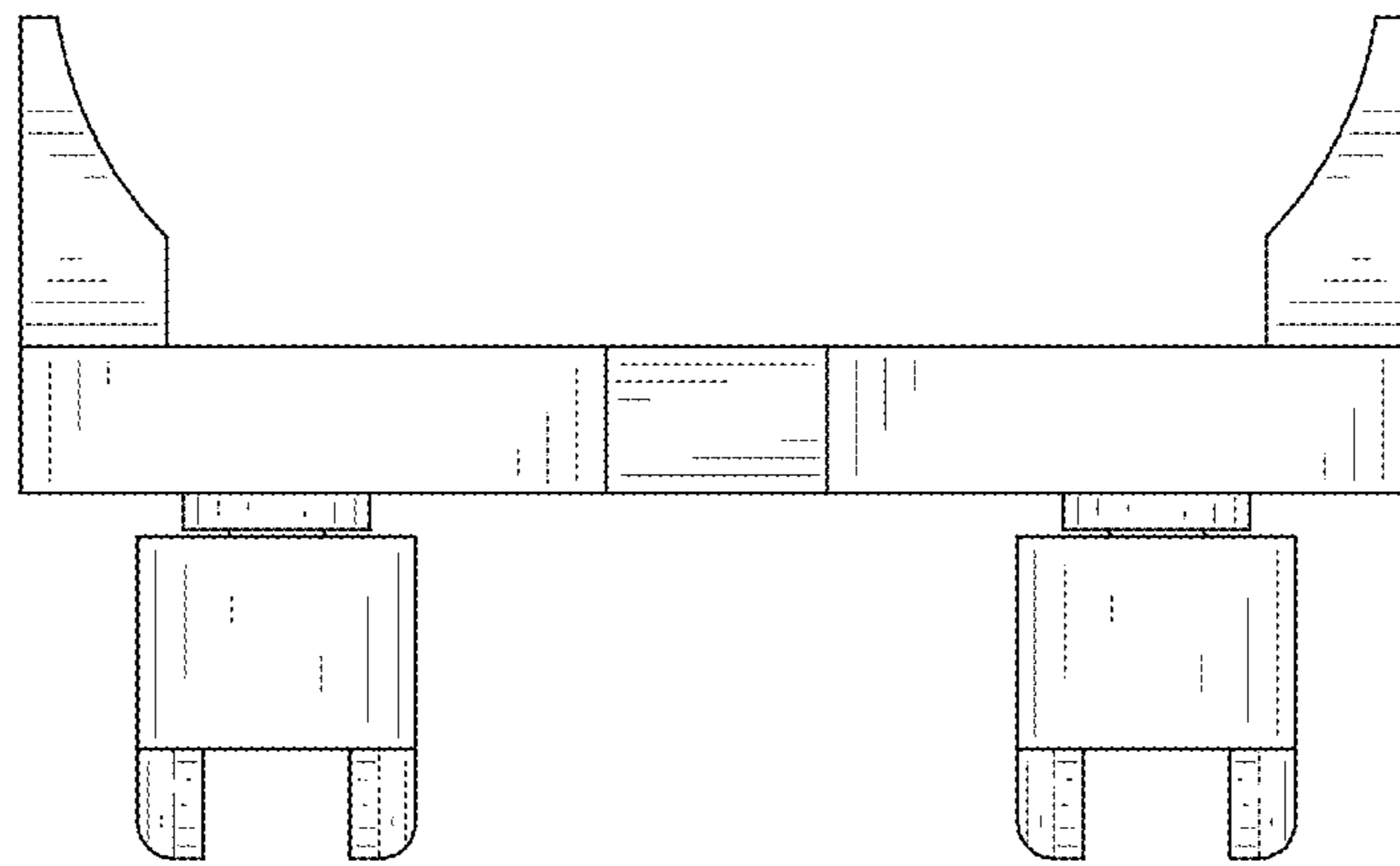


FIG. 3

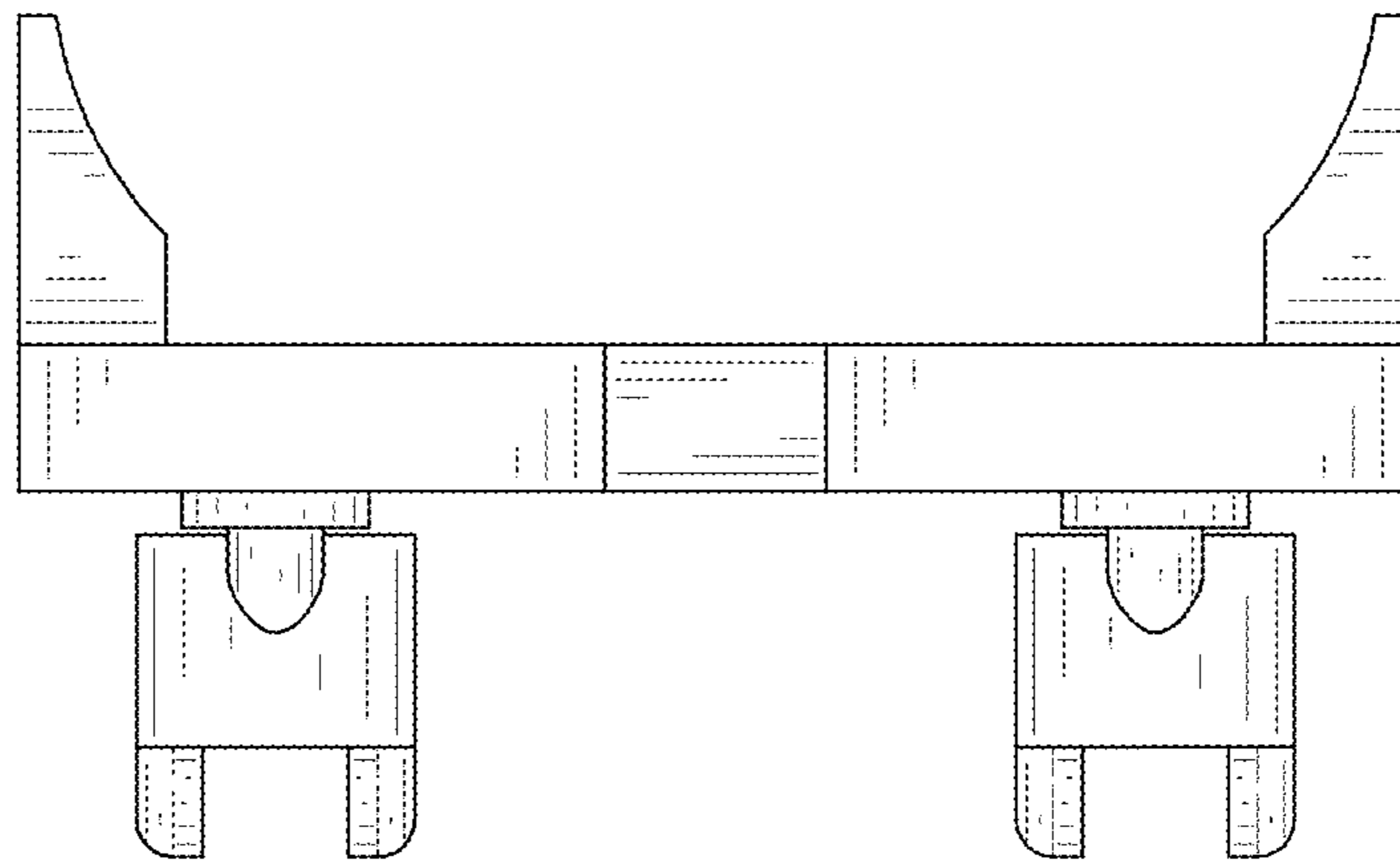


FIG. 4

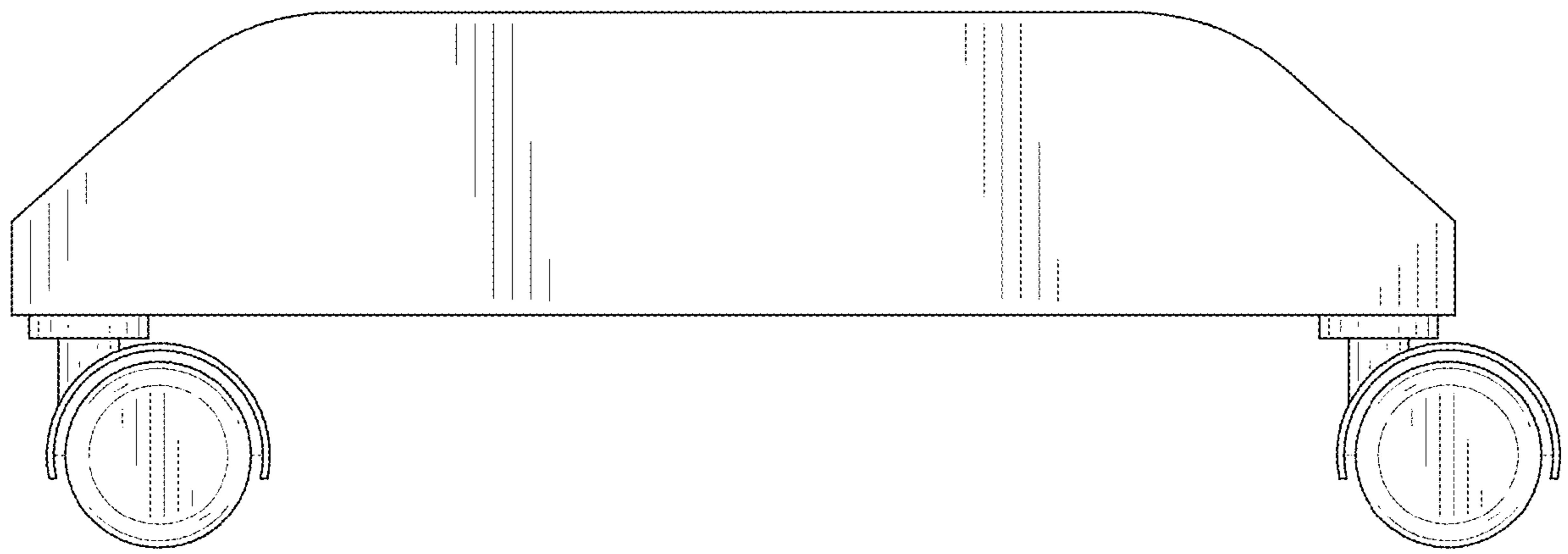


FIG. 5

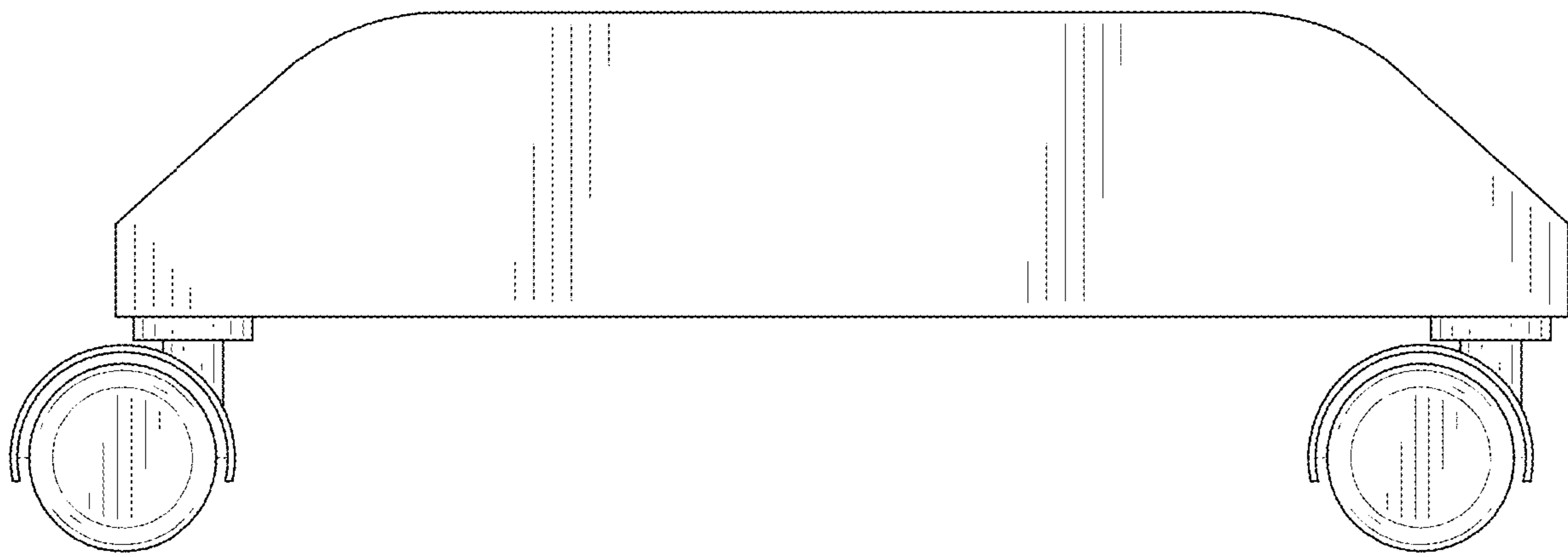


FIG. 6

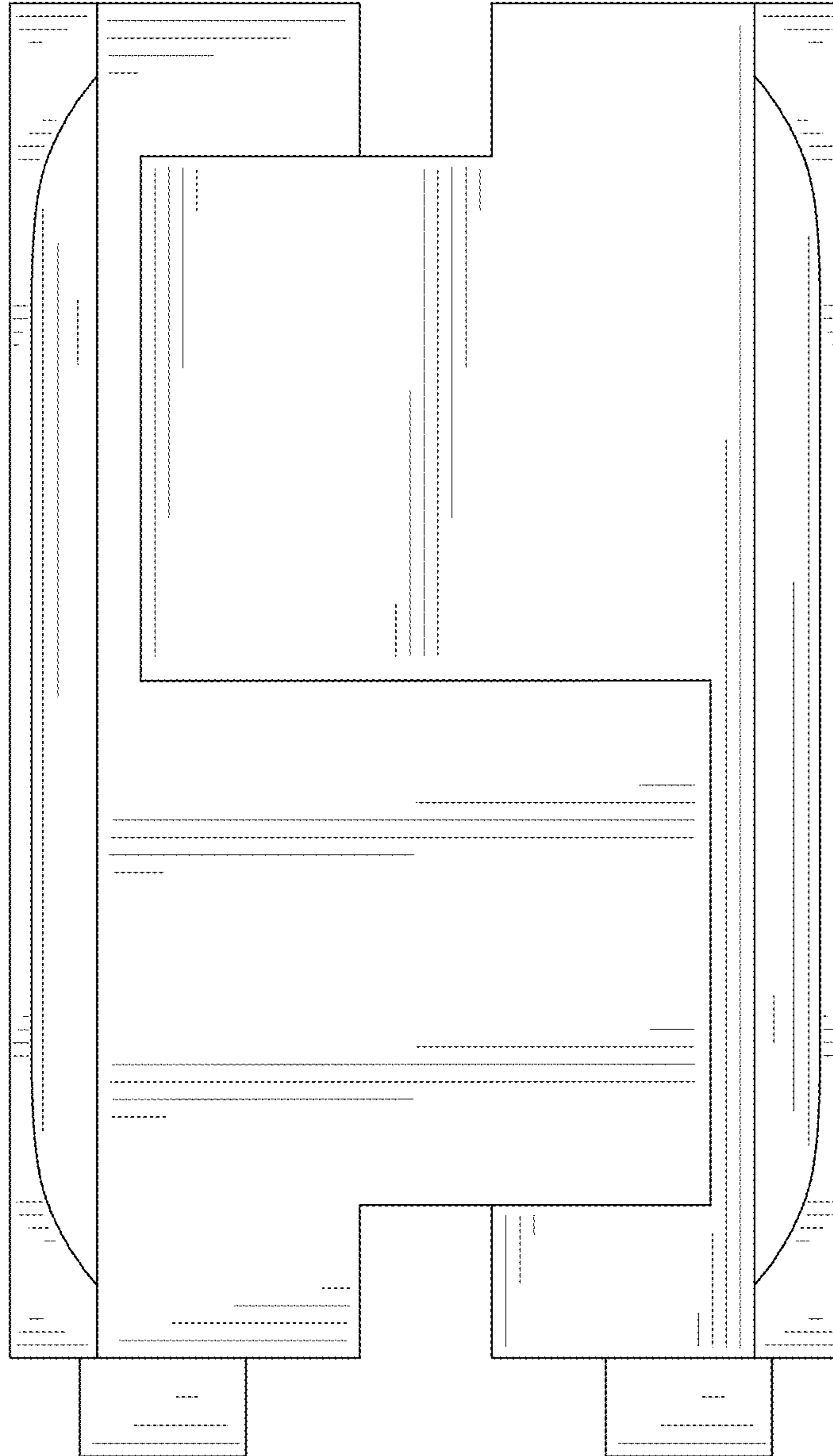


FIG. 7

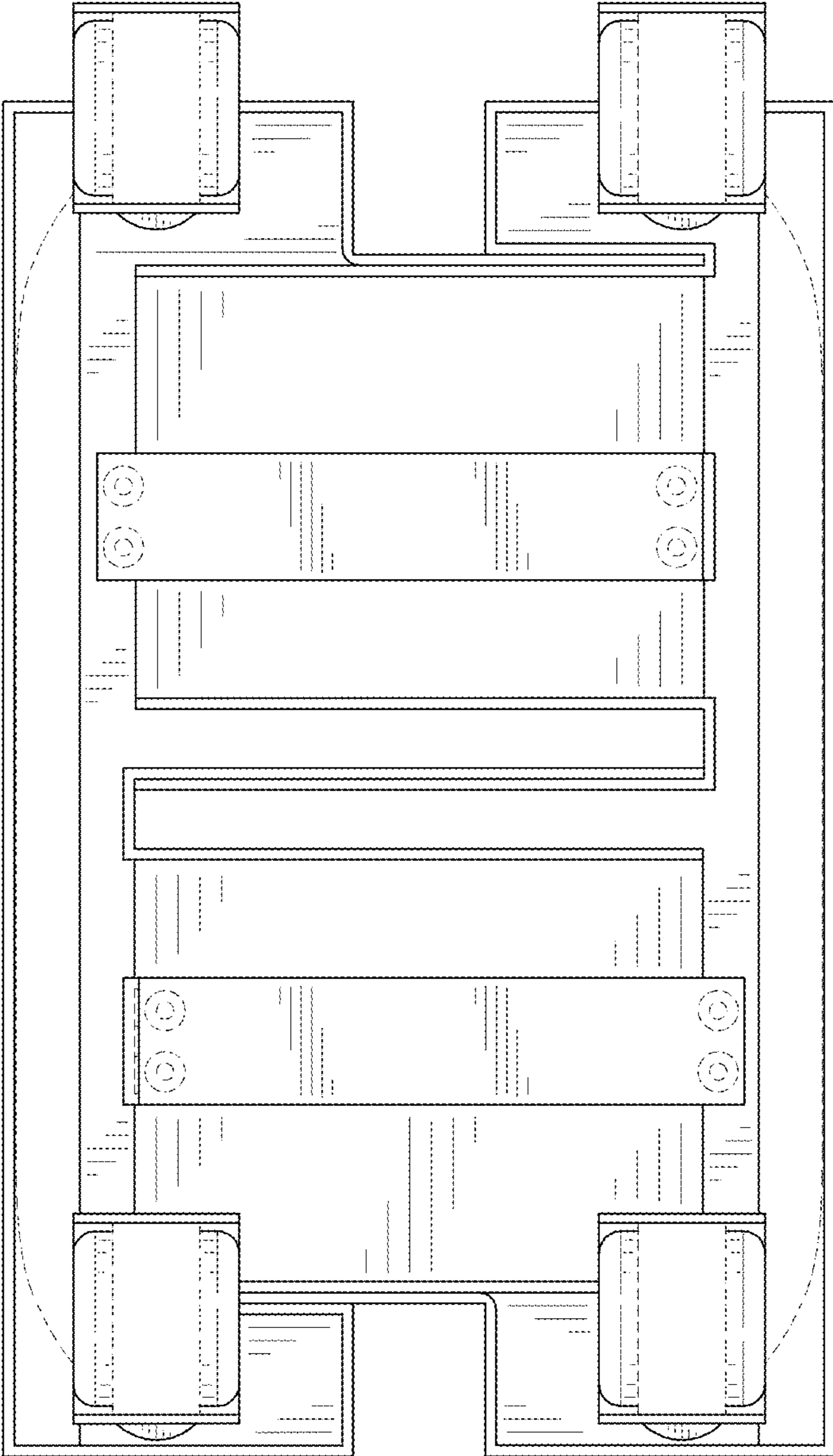


FIG. 8