



US00D942458S

(12) **United States Design Patent** (10) **Patent No.:** **US D942,458 S**  
**Tur** (45) **Date of Patent:** **\*\* Feb. 1, 2022**

(54) **TEACH PENDANT BUMPER**  
(71) Applicant: **ROBOWORLD MOLDED PRODUCTS, LLC**, Mason, OH (US)  
(72) Inventor: **Christian A. Tur**, Mason, OH (US)  
(73) Assignee: **ROBOWORLD MOLDED PRODUCTS, LLC**, Mason, OH (US)  
(\*\*) Term: **15 Years**

D674,803 S 1/2013 Westrup  
D678,262 S 3/2013 Prato  
D678,298 S 3/2013 Burrige  
D681,483 S 5/2013 Biegert et al.  
D688,582 S 8/2013 Wilson  
D688,967 S 9/2013 Wilson  
8,523,124 B2 9/2013 Yuan et al.  
D692,006 S 10/2013 Fujioka  
D693,709 S 11/2013 Lee et al.  
D703,649 S 4/2014 Wikel et al.  
D711,866 S 8/2014 Kawata  
D714,295 S 9/2014 Fujioka

(Continued)

(21) Appl. No.: **29/762,893**

(22) Filed: **Dec. 18, 2020**

(51) **LOC (13) Cl.** ..... **14-02**

(52) **U.S. Cl.**  
USPC ..... **D14/440**

(58) **Field of Classification Search**  
USPC ..... D14/440, 447, 250; 261/45.23, 320, 261/45.2; 361/679.55; 206/320; 294/25; 224/218  
CPC ..... G06F 1/628; G06F 1/626; H04B 1/3555; H04B 1/3888; A45C 11/00; H05K 5/0217  
See application file for complete search history.

**OTHER PUBLICATIONS**

Design U.S. Appl. No. 29/732,489, filed Apr. 24, 2020, entitled Teach Pendant Bumper.

(Continued)

*Primary Examiner* — Cynthia R Underwood  
(74) *Attorney, Agent, or Firm* — Thomas E. Lees, LLC

(57) **CLAIM**

The ornamental design for a teach pendant bumper, as shown and described.

(56) **References Cited**

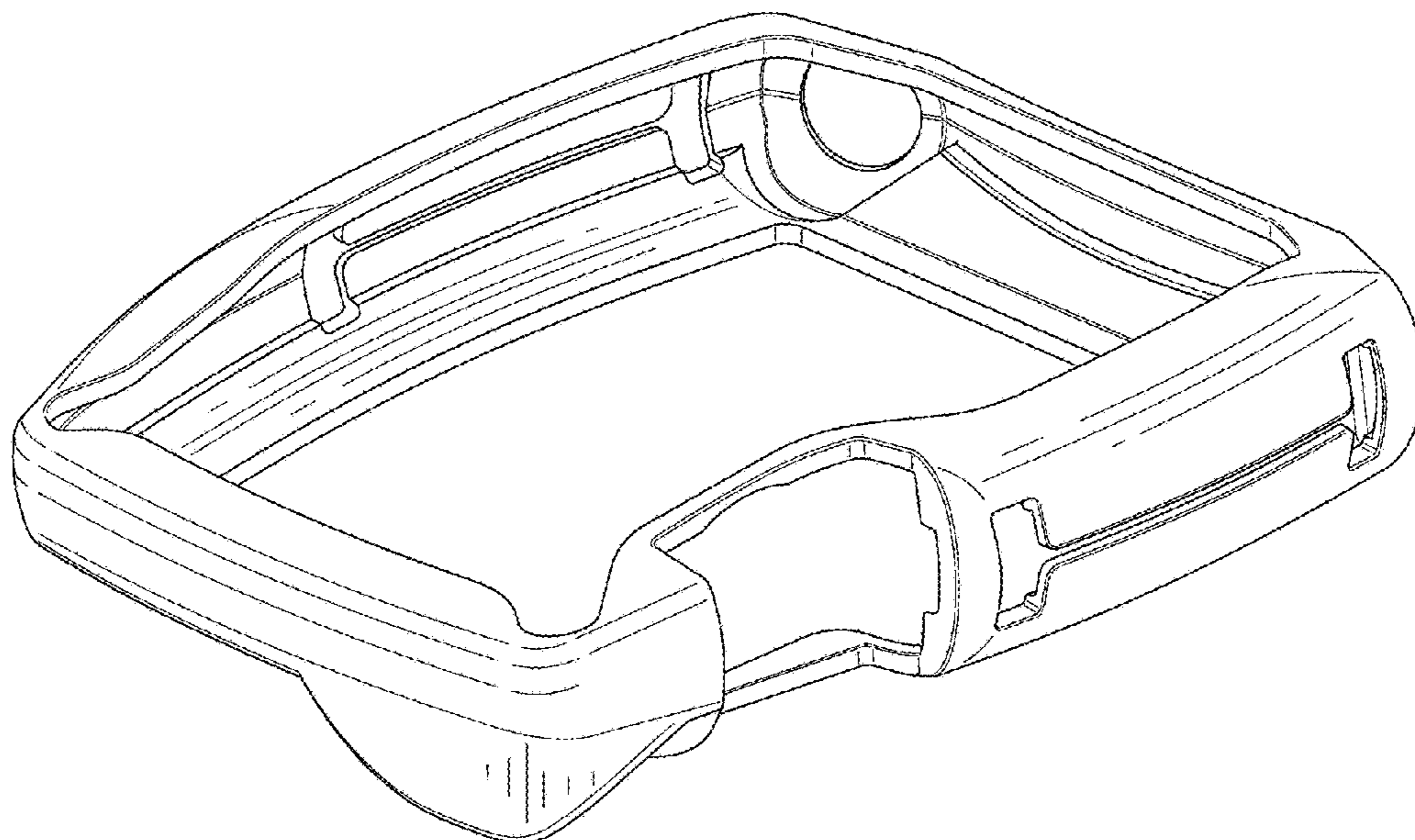
**U.S. PATENT DOCUMENTS**

5,887,723 A 3/1999 Myles et al.  
D413,582 S 9/1999 Tompkins  
D480,720 S 10/2003 Sjoberg et al.  
D531,524 S 11/2006 Behling  
D581,421 S 11/2008 Richardson et al.  
D638,324 S 5/2011 Tang  
D643,433 S 8/2011 Hsieh et al.  
D647,107 S 10/2011 Akana et al.  
D649,144 S 11/2011 Fathollahi  
D656,135 S 3/2012 Swartz et al.  
8,256,612 B1 9/2012 Wang  
D671,930 S 12/2012 Akana et al.  
D674,789 S 1/2013 Wen

**DESCRIPTION**

FIG. 1 is a perspective view of a teach pendant bumper; FIG. 2 is a left side elevational view of the teach pendant bumper; FIG. 3 is a right side elevational view of the teach pendant bumper; FIG. 4 is a rear side elevational view of the teach pendant bumper; FIG. 5 is a front side elevational view of the teach pendant bumper; FIG. 6 is a top plan view of the teach pendant bumper; and, FIG. 7 is a bottom plan view of the teach pendant bumper.

**1 Claim, 7 Drawing Sheets**



(56)

References Cited

U.S. PATENT DOCUMENTS

D716,285 S 10/2014 Chaney et al.  
 D716,312 S 10/2014 Fujioka  
 D717,304 S 11/2014 Yturralde et al.  
 D717,804 S 11/2014 Budge  
 D719,144 S 12/2014 Eulette  
 D723,016 S 2/2015 Lee et al.  
 D728,549 S 5/2015 Su et al.  
 D728,552 S 5/2015 Kim et al.  
 D728,553 S 5/2015 Kim et al.  
 D729,787 S 5/2015 Soekoro  
 D730,225 S 5/2015 Behar  
 D733,696 S 7/2015 Burgett et al.  
 D735,198 S 7/2015 Song  
 D735,199 S 7/2015 Song  
 D735,200 S 7/2015 Song  
 D735,586 S 8/2015 Stegmann  
 D735,724 S 8/2015 Song  
 D736,103 S 8/2015 Behling  
 D736,777 S 8/2015 Rayner  
 D742,869 S 11/2015 Odhwani et al.  
 D747,707 S 1/2016 Roberts et al.  
 D751,558 S 3/2016 Lee  
 D752,044 S 3/2016 Akana et al.  
 D754,133 S 4/2016 Chen et al.  
 D756,344 S 5/2016 Roberts et al.  
 D761,263 S 7/2016 Brinkman et al.  
 D762,201 S 7/2016 Tseng et al.  
 D762,202 S 7/2016 Tseng et al.  
 D762,203 S 7/2016 Chin et al.  
 D764,476 S 8/2016 Gleason, III et al.  
 D764,477 S 8/2016 Su et al.  
 D766,904 S 9/2016 Jung  
 D766,905 S 9/2016 Lee  
 D766,906 S 9/2016 Kim  
 D767,573 S 9/2016 Kim  
 D768,122 S 10/2016 Buffone  
 D768,123 S 10/2016 Armstrong et al.  
 D769,879 S 10/2016 Kim  
 D770,458 S 11/2016 Corcoran et al.  
 D772,288 S 11/2016 Montes et al.  
 D779,495 S 2/2017 Tur  
 D779,496 S 2/2017 Tur  
 D780,185 S 2/2017 Tur  
 D780,764 S 2/2017 Tur  
 D780,740 S \* 3/2017 Kim ..... D14/250  
 D780,765 S 3/2017 Tur  
 D781,295 S 3/2017 Tur  
 D781,296 S 3/2017 Tur  
 D781,864 S 3/2017 Tur  
 D782,487 S 3/2017 Tur  
 D786,879 S 5/2017 Kim  
 D790,512 S 6/2017 Lee

D790,528 S 6/2017 Lindloff  
 D792,886 S 7/2017 Schwibner et al.  
 D794,626 S 8/2017 Armstrong et al.  
 D801,341 S 10/2017 Tur  
 D801,342 S 10/2017 Tur  
 D806,082 S 12/2017 Armstrong et al.  
 D817,334 S 5/2018 Fenton et al.  
 D824,397 S 7/2018 Charlesworth et al.  
 D825,571 S 8/2018 Shannon, III  
 D832,269 S 10/2018 Cheng  
 D832,272 S 10/2018 Tur  
 D834,029 S 11/2018 Wengreen  
 D841,636 S 2/2019 Turk  
 D842,861 S 3/2019 Bailey et al.  
 D844,621 S 4/2019 Chen  
 D846,542 S 4/2019 Sasaki et al.  
 D856,340 S 8/2019 Tur  
 D856,341 S 8/2019 Tur  
 D857,022 S 8/2019 Tur  
 D862,442 S 10/2019 Wei et al.  
 D862,476 S 10/2019 Han et al.  
 D862,480 S 10/2019 Chan et al.  
 D871,402 S 12/2019 Jeon et al.  
 D878,377 S 3/2020 Tur  
 D885,229 S \* 5/2020 Kim ..... D10/132  
 D885,230 S \* 5/2020 Kim ..... D10/132  
 D912,562 S \* 3/2021 Zhou ..... D10/132  
 D913,291 S \* 3/2021 Zhang ..... D14/440  
 D920,147 S \* 5/2021 Liu ..... D10/132  
 D924,715 S \* 7/2021 Wright ..... D10/132  
 D924,716 S \* 7/2021 Wright ..... D10/132  
 D931,286 S \* 9/2021 Tur ..... D14/440  
 D931,287 S \* 9/2021 Tur ..... D14/440  
 D934,869 S \* 11/2021 Wright ..... D14/440  
 2006/0274493 A1 12/2006 Richardson et al.  
 2010/0061191 A1 3/2010 Chen  
 2010/0243516 A1 9/2010 Martin et al.  
 2011/0297578 A1 12/2011 Stiehl et al.  
 2012/0043236 A1 2/2012 Szucs et al.  
 2012/0182678 A1 7/2012 Wu et al.  
 2012/0257340 A1 10/2012 Kim  
 2012/0321294 A1 12/2012 Tages et al.  
 2013/0148271 A1 6/2013 Huang  
 2013/0210503 A1 8/2013 Keesling et al.  
 2013/0222139 A1 8/2013 Gouge et al.  
 2013/0270851 A1 10/2013 Konhya  
 2014/0216953 A1 8/2014 Su et al.  
 2017/0210303 A1 7/2017 Luis y Prado et al.  
 2020/0363773 A1 \* 11/2020 Wang ..... G04B 37/005

OTHER PUBLICATIONS

Design U.S. Appl. No. 29/732,491, filed Apr. 24, 2020, entitled Teach Pendant Bumper.

\* cited by examiner

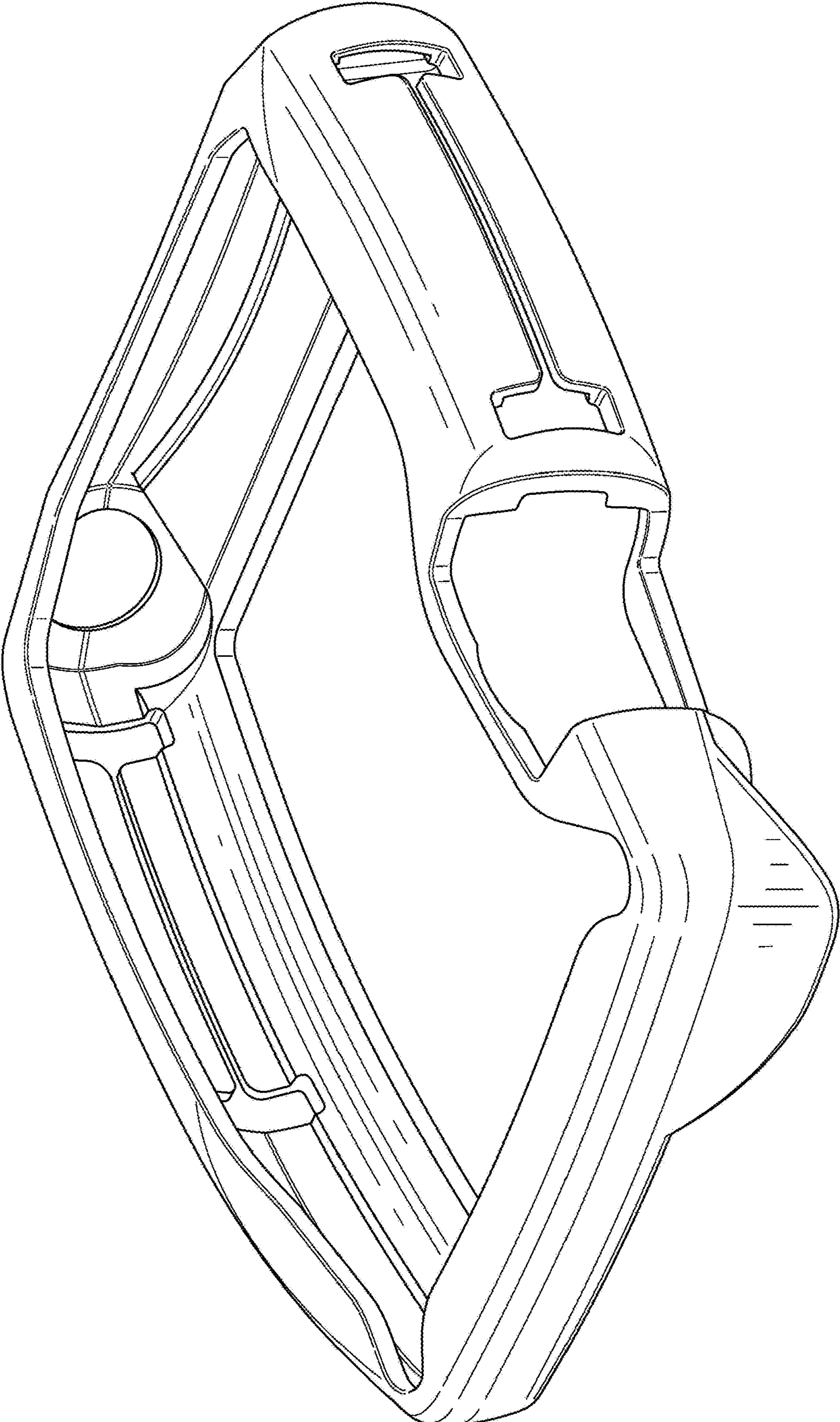


FIG. 1

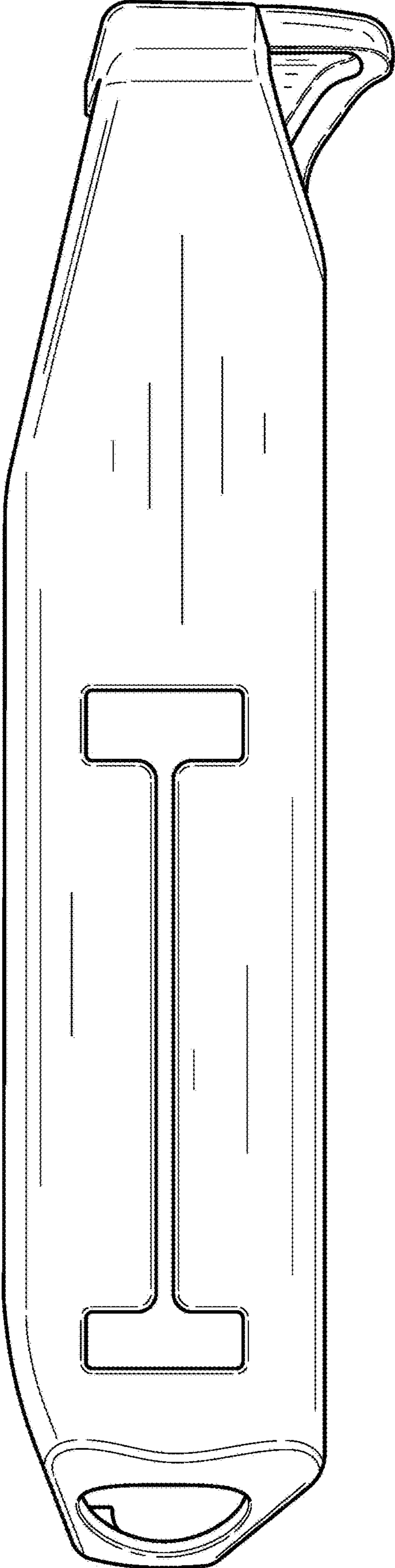


FIG. 2

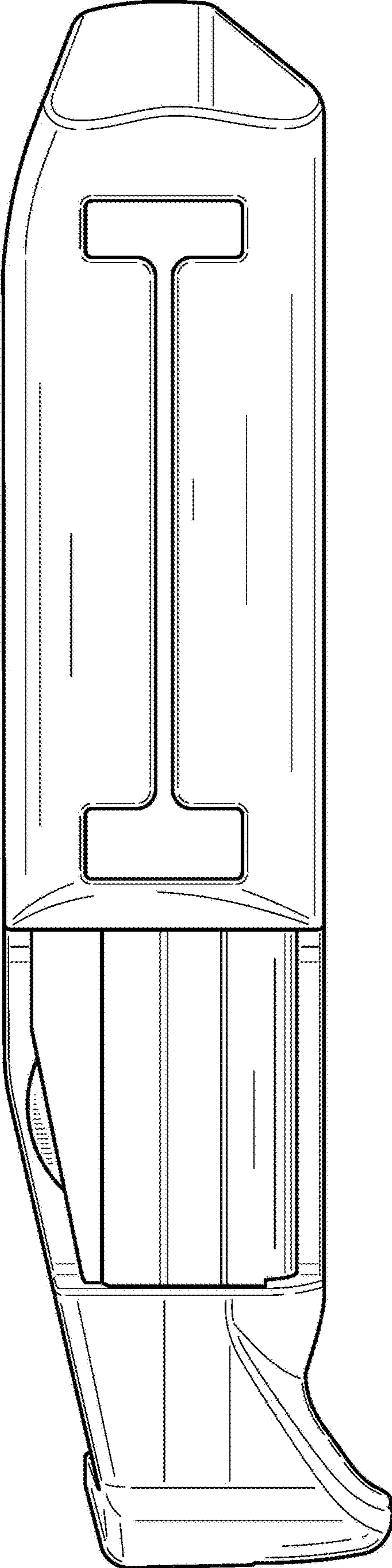


FIG. 3

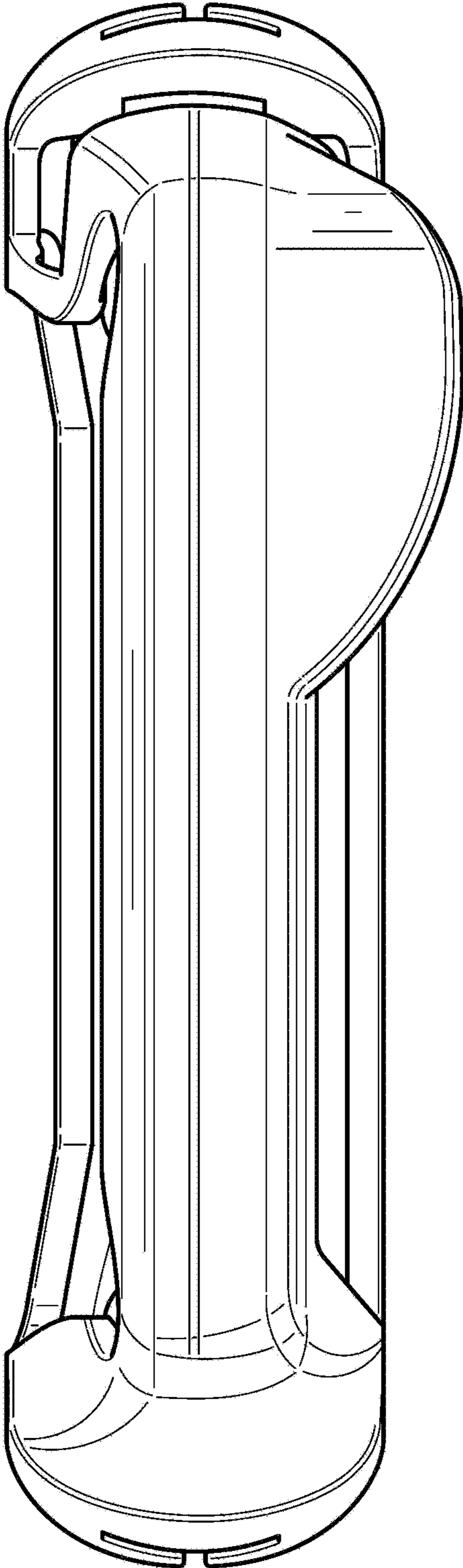


FIG. 4

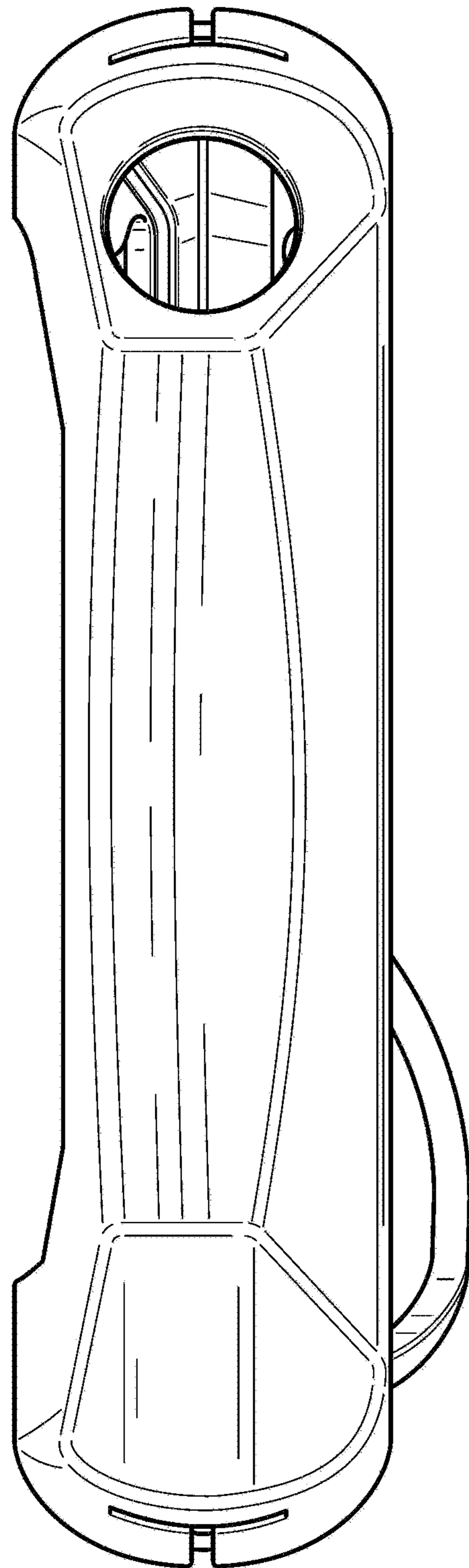


FIG. 5

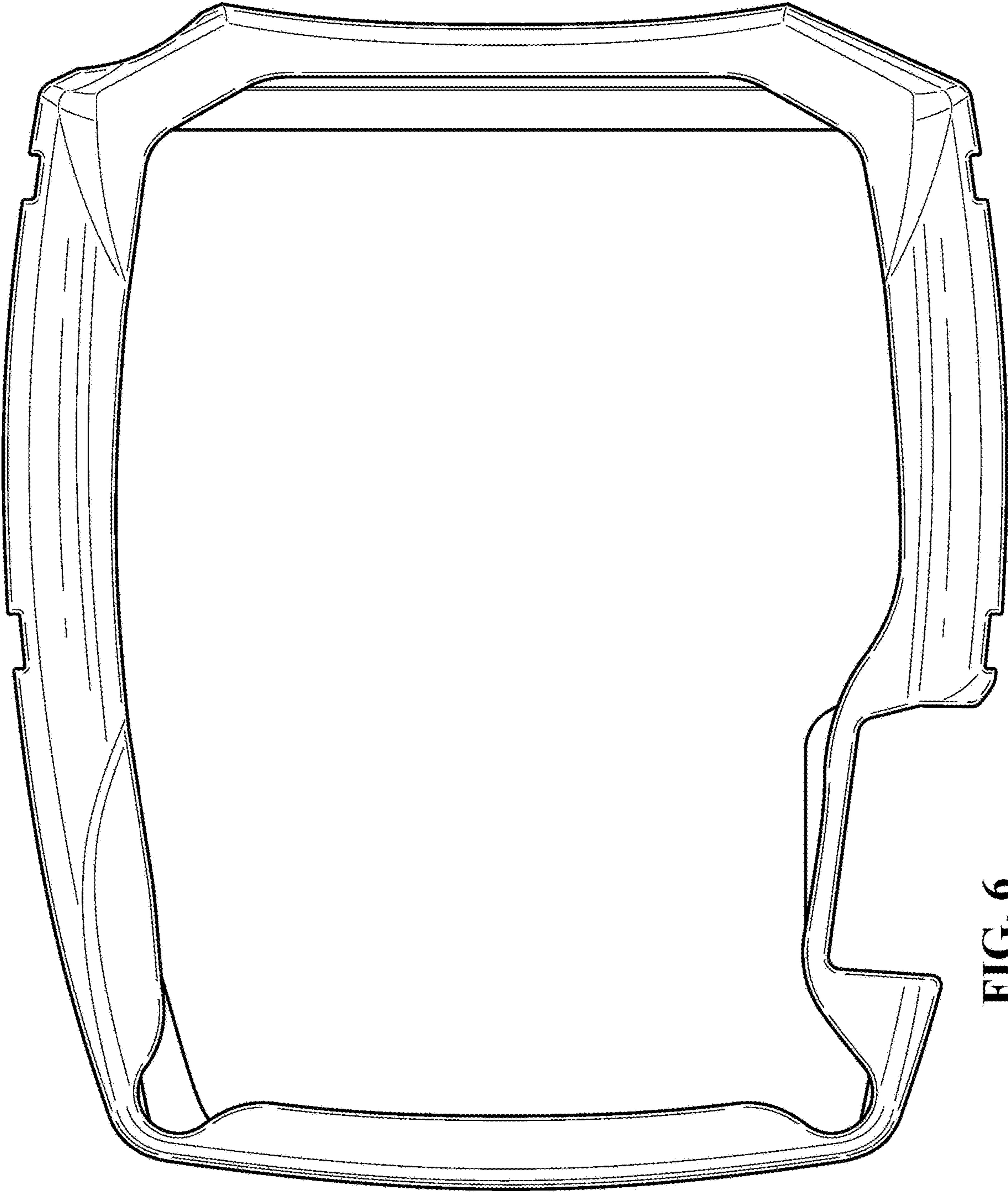


FIG. 6



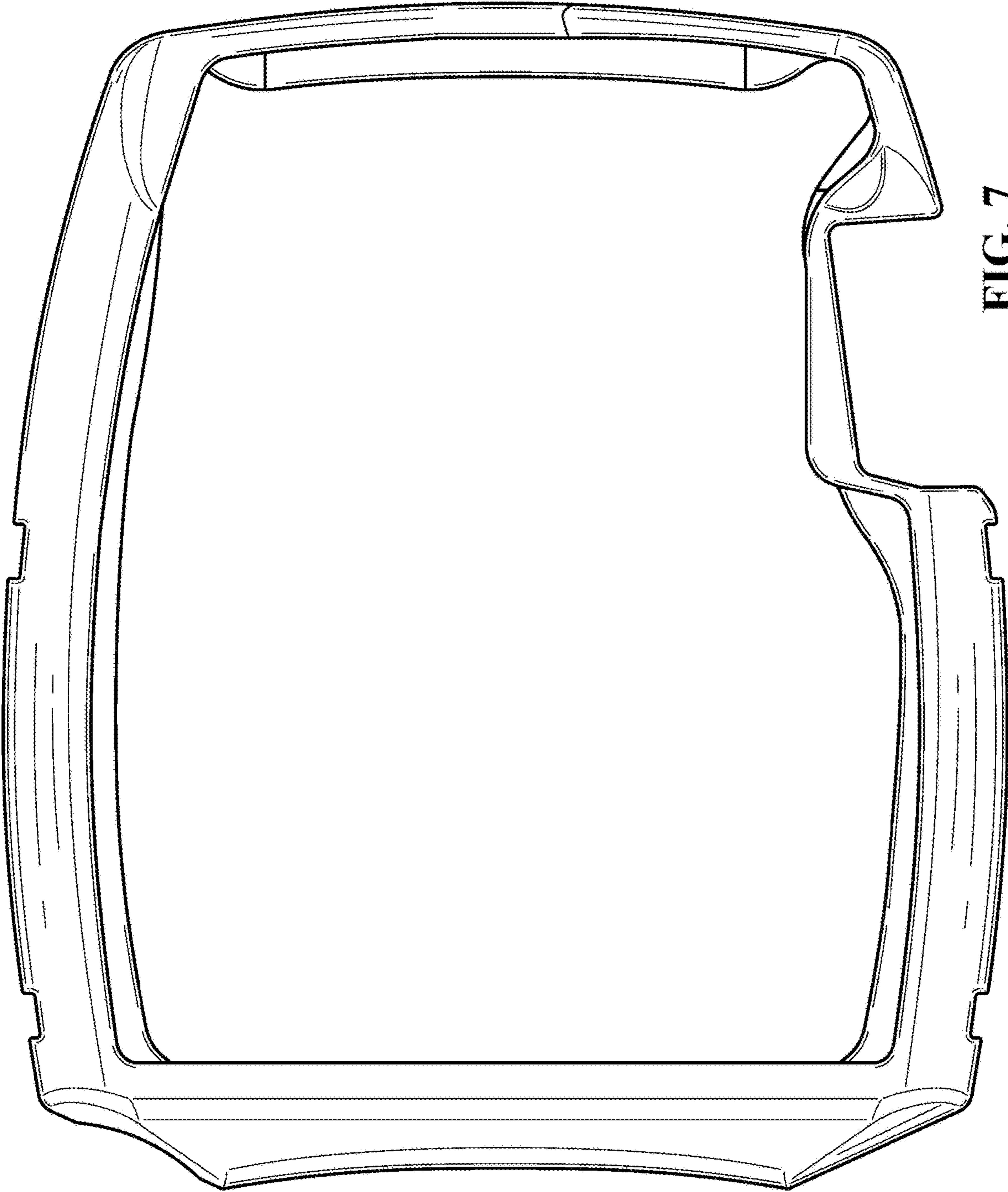


FIG. 7