

US00D942455S

(12) **United States Design Patent**
Kanter et al.

(10) **Patent No.:** **US D942,455 S**

(45) **Date of Patent:** **** Feb. 1, 2022**

- (54) **DOCKING STATION**
- (71) Applicant: **HUMANCENTRIC VENTURES LLC**, Skokie, IL (US)
- (72) Inventors: **Simcha Kanter**, Skokie, IL (US);
Alexey Tarelin, Evanston, IL (US)
- (73) Assignee: **Humancentric Ventures LLC**, Skokie, IL (US)
- (**) Term: **15 Years**
- (21) Appl. No.: **29/732,586**
- (22) Filed: **Apr. 25, 2020**
- (51) **LOC (13) Cl.** **14-02**
- (52) **U.S. Cl.**
USPC **D14/434**
- (58) **Field of Classification Search**
USPC ... D14/434, 432, 433, 435, 435.1, 356, 357,
D14/358, 251-253, 217, 299, 496, 169,
D14/125, 240, 348, 365, 363, 300, 301,
D14/302, 314; D13/103, 107, 108, 110,
D13/123, 133, 135, 179, 184; D21/324,
D21/332, 333
CPC . G06F 1/16; G06F 1/1632; G06F 1/26; G06F
1/266; G06F 13/00; G06F 13/38; G06F
13/382; G06F 13/385; G06F 13/387;
G06F 3/065; G06F 9/541; G06F
2213/3814; G06F 2213/40; G06F
2213/4004
See application file for complete search history.

- D541,272 S * 4/2007 Wang D14/356
- D545,768 S * 7/2007 Hsu D13/147
- D552,598 S * 10/2007 Bart D14/217
- D562,264 S * 2/2008 Jeong D13/164
- D563,334 S * 3/2008 Wang D14/125
- D571,788 S * 6/2008 King, Jr. D14/217
- D574,834 S * 8/2008 Chen D14/433
- D580,441 S * 11/2008 Mori D14/434
- D589,916 S * 4/2009 Xie D14/125
- D606,542 S * 12/2009 Lu D14/356
- D635,978 S * 4/2011 Chen D14/434
- D641,019 S * 7/2011 Chen D14/356
- D645,072 S * 9/2011 Luo D16/230
- D647,920 S * 11/2011 Luo D14/496
- D654,496 S * 2/2012 Chen D14/314
- D656,936 S * 4/2012 Saunders D14/358
- D661,697 S * 6/2012 Saunders D14/358
- D699,615 S * 2/2014 Ke D10/106.95
- D699,616 S * 2/2014 Ke D10/106.95
- D723,504 S * 3/2015 Reimer D14/155
- D725,658 S * 3/2015 Stevenson D14/434
- D726,179 S * 4/2015 Orthey D14/358
- D730,311 S * 5/2015 Reimer D14/155

(Continued)

Primary Examiner — Marie D. Fast Horse

(57) **CLAIM**

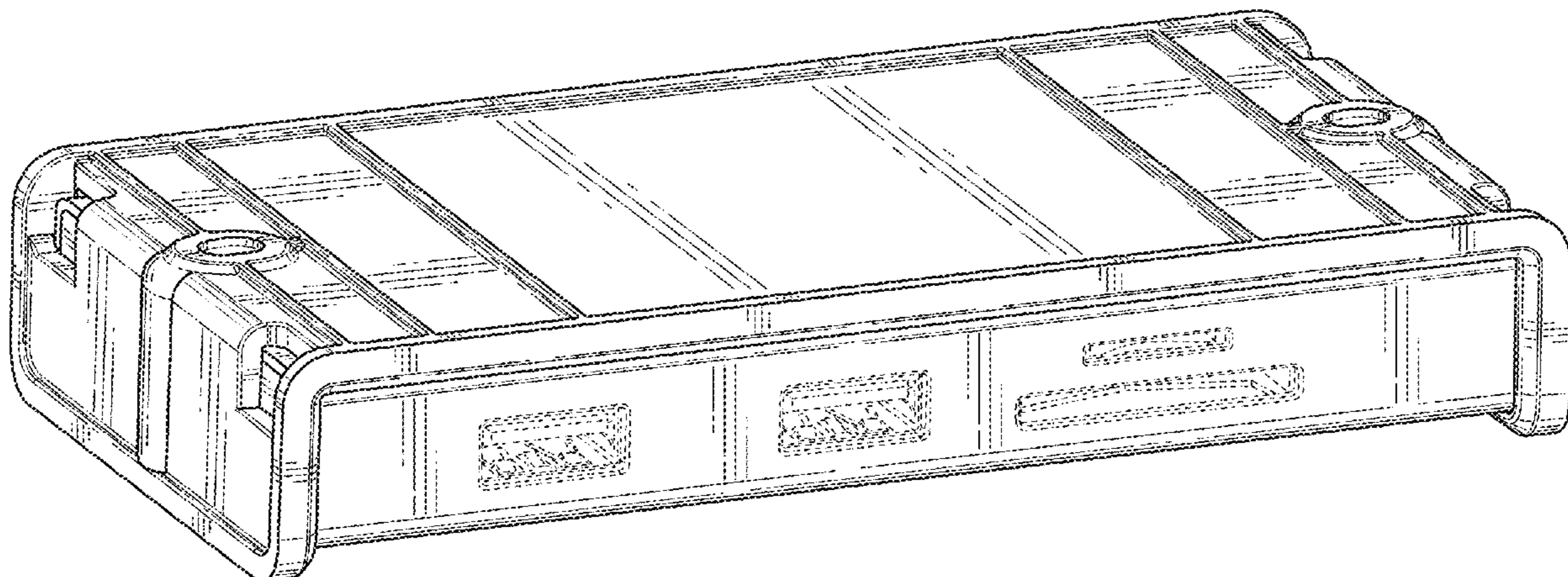
The ornamental design for a docking station, as shown and described.

DESCRIPTION

FIG. 1 is a perspective view of a docking station showing our new design;
 FIG. 2 is a top view thereof;
 FIG. 3 is a bottom view thereof;
 FIG. 4 is a front view thereof;
 FIG. 5 is a rear view thereof;
 FIG. 6 is a view of the left side thereof; and,
 FIG. 7 is a view of the right side thereof.
 The broken lines in the drawings depict portions of the docking station that form no part of the claimed design.

1 Claim, 7 Drawing Sheets

- (56) **References Cited**
U.S. PATENT DOCUMENTS
D223,096 S * 3/1972 Gilson D14/365
D508,531 S * 8/2005 Hsu D19/86
D532,005 S * 11/2006 Leith D14/253
D539,264 S * 3/2007 Kim D14/188



(56)

References Cited

U.S. PATENT DOCUMENTS

D734,290	S	*	7/2015	Reimer	D14/155
D738,347	S	*	9/2015	Reimer	D14/155
D741,833	S	*	10/2015	Reimer	D14/155
D746,252	S	*	12/2015	Reimer	D14/155
D797,712	S	*	9/2017	Chang	D14/358
D810,043	S	*	2/2018	Suzuki	D14/188
D817,288	S	*	5/2018	Won	D14/125
D844,008	S	*	3/2019	Yamazaki	D14/434
2021/0019271	A1	*	1/2021	Eun	G06F 1/26

* cited by examiner

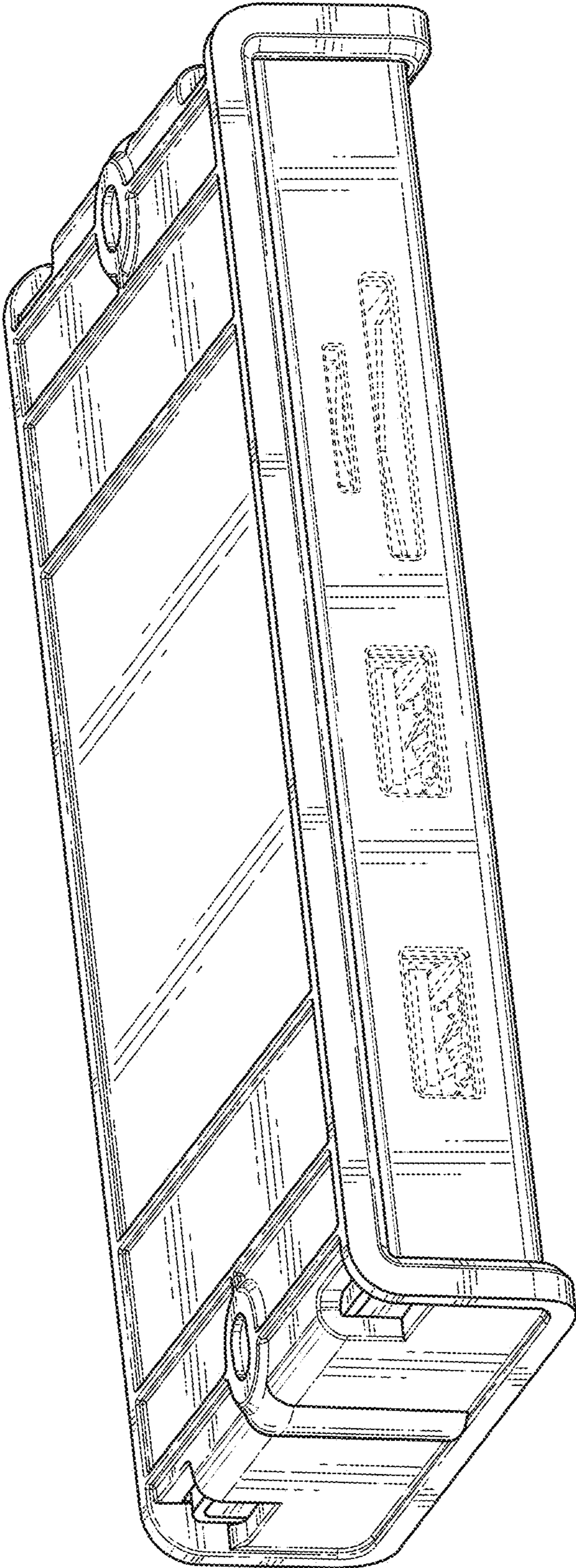


FIG. 1

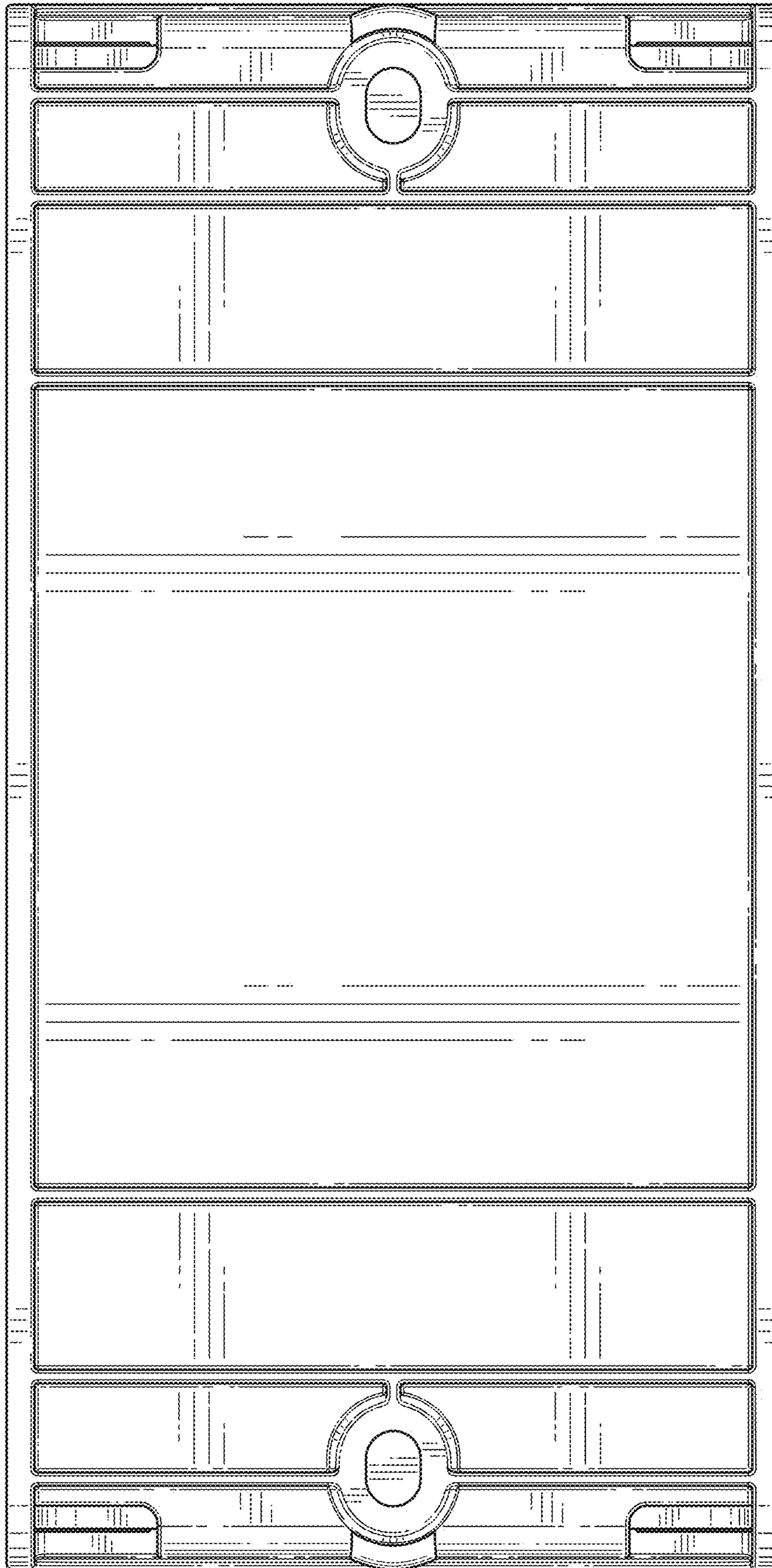


FIG. 2

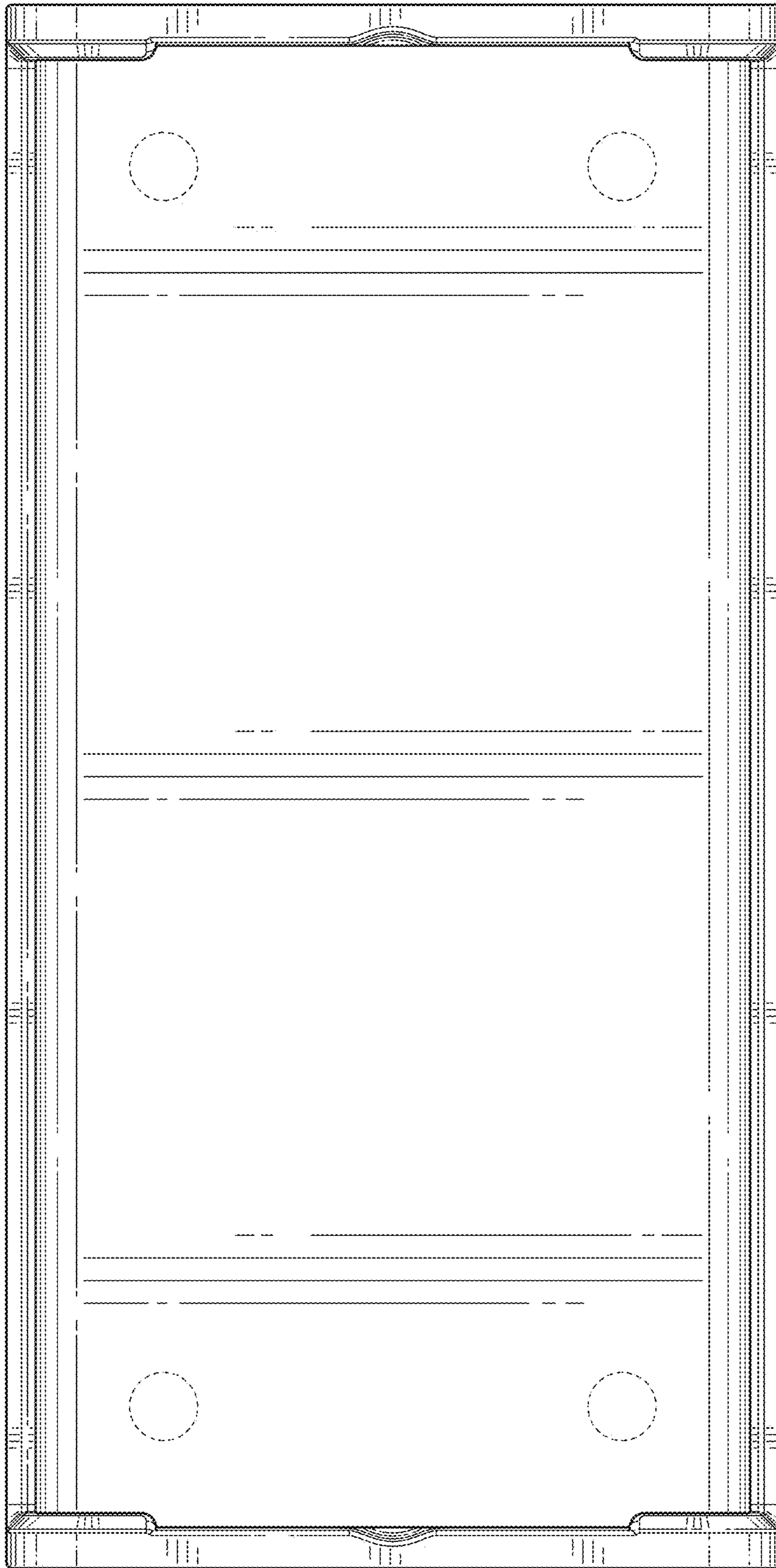


FIG. 3

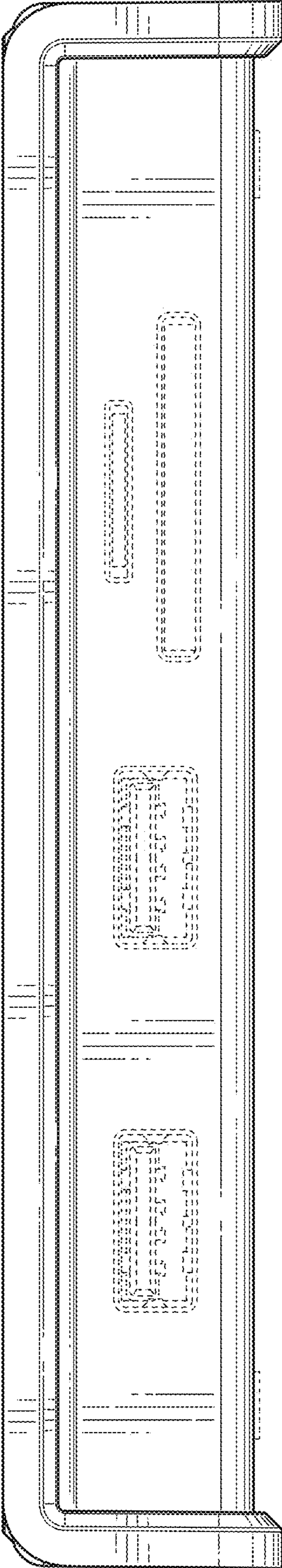


FIG. 4

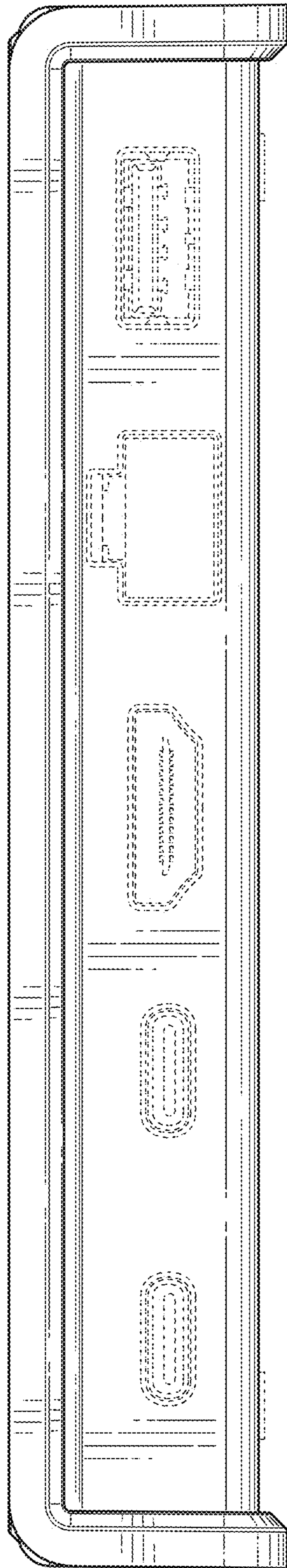


FIG. 5

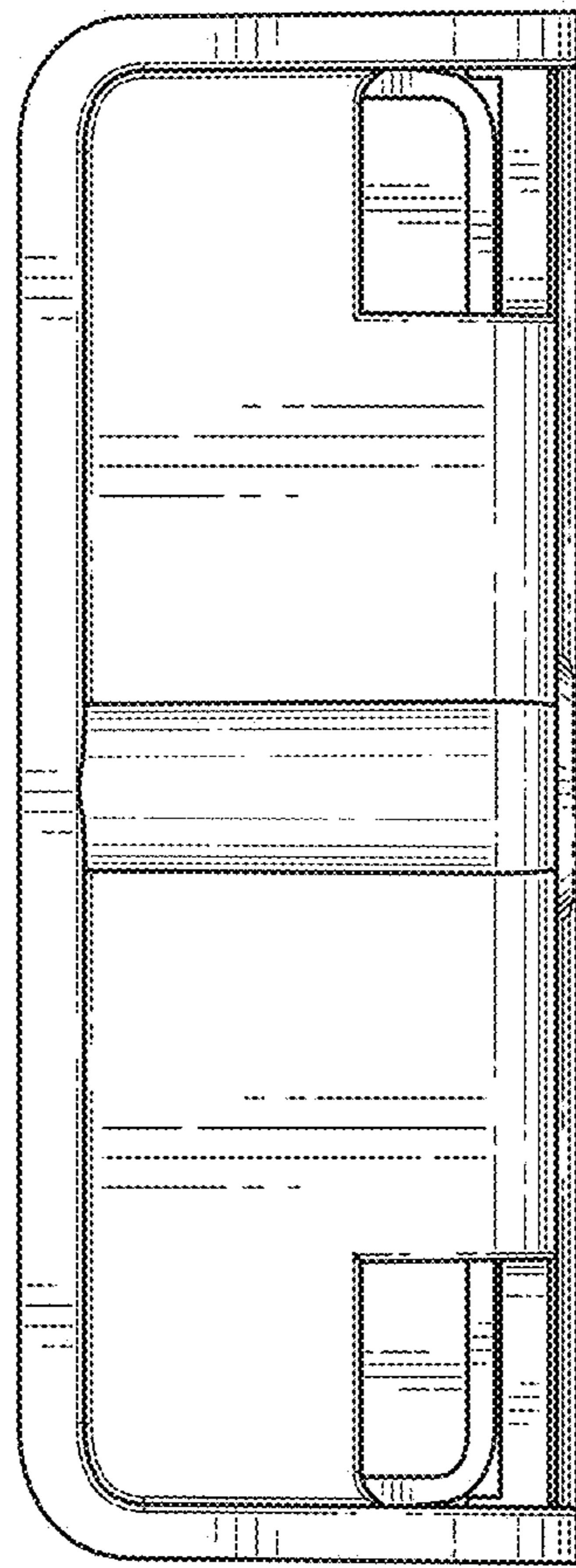


FIG. 6

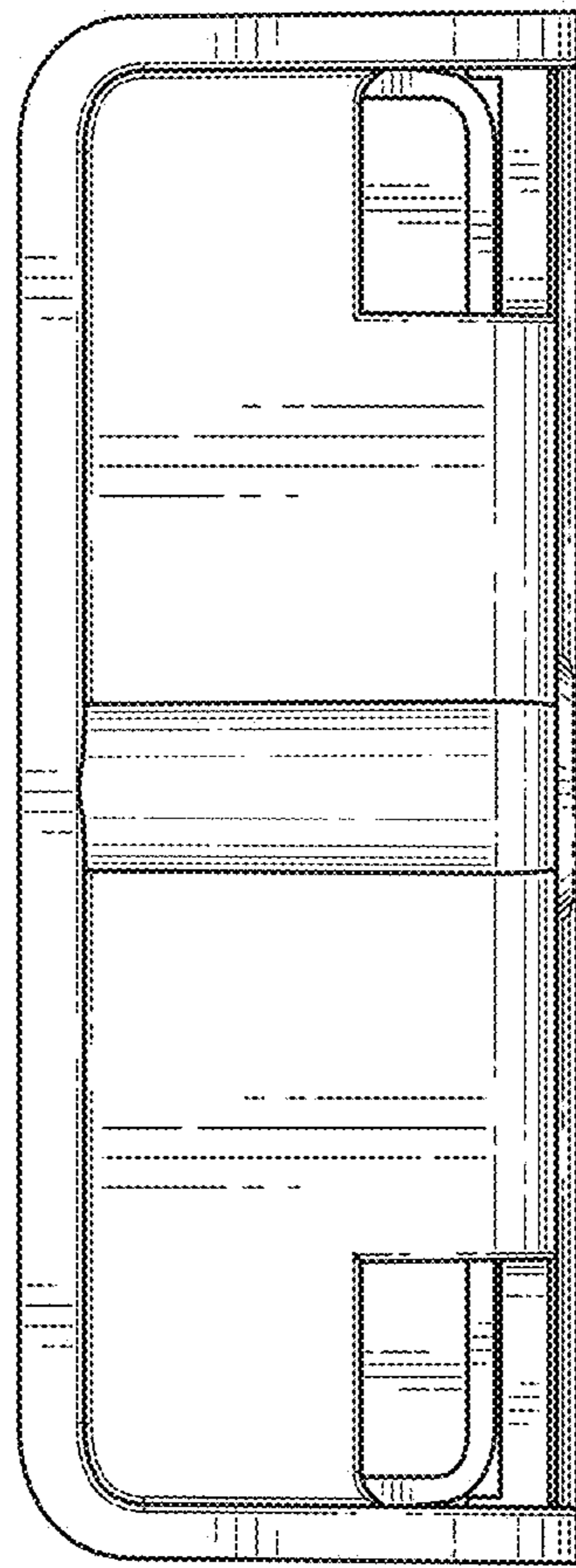


FIG. 7