



US00D942452S

(12) **United States Design Patent** (10) **Patent No.:** **US D942,452 S**
Zhang et al. (45) **Date of Patent:** **** Feb. 1, 2022**

(54) **CARD READER**

(71) Applicants: **Qingsen Zhang**, Guangdong (CN);
Junling Chen, Guangdong (CN);
Zhuohao Liang, Guangdong (CN)

(72) Inventors: **Qingsen Zhang**, Guangdong (CN);
Junling Chen, Guangdong (CN);
Zhuohao Liang, Guangdong (CN)

(73) Assignee: **UGREEN GROUP LIMITED**,
Guangdong (CN)

(**) Term: **15 Years**

(21) Appl. No.: **29/687,296**

(22) Filed: **Apr. 11, 2019**

(51) **LOC (13) Cl.** **14-02**

(52) **U.S. Cl.**
USPC **D14/385**

(58) **Field of Classification Search**
USPC D18/4.4, 4.5, 4.6, 12, 12.1, 12.3;
D14/383, 384, 385, 386, 378, 420, 427,
D14/432-439, 447, 453; D13/107, 108,
D13/133, 146, 147, 152, 154, 156;
235/441, 451, 492, 380, 439, 375
CPC G06K 19/07749; G06K 19/0723; G06K
19/041; G06K 19/07758; G06K 19/0775;
G06K 19/07783; G06K 19/07794; G06K
19/06046; G06K 19/07722; G06K
19/07773; G06K 19/07779; G06K
19/07784; G06K 19/07786; G06K
19/0709

See application file for complete search history.

(56) **References Cited**

U.S. PATENT DOCUMENTS

D558,765 S *	1/2008	Fitler	D14/385
D746,540 S *	12/2015	Scott	D99/43
D762,214 S *	7/2016	Nguyen	D14/385
D803,833 S *	11/2017	He	D14/385
D808,392 S *	1/2018	Bo	D14/433
D814,467 S *	4/2018	Long	D14/385
D815,093 S *	4/2018	Long	D14/385
D822,022 S *	7/2018	Huff	D14/385
D857,016 S *	8/2019	Long	D14/385
D878,367 S *	3/2020	Rotsaert	D14/385
D901,501 S *	11/2020	Senguttuvan	D14/385

* cited by examiner

Primary Examiner — Austin Murphy

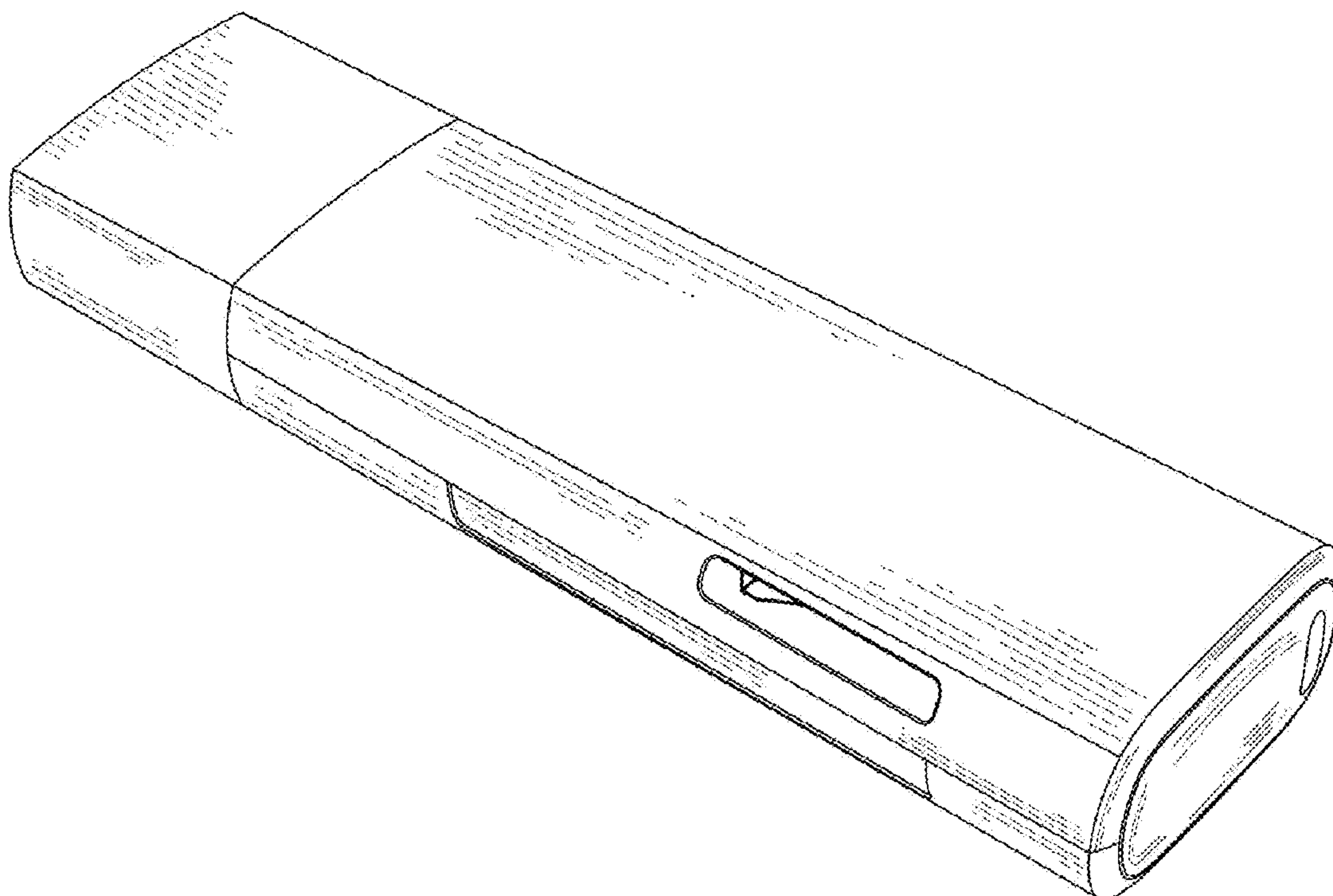
(57) **CLAIM**

We claim the ornamental design for the card reader, as shown and described.

DESCRIPTION

FIG. 1 is a perspective view of a card reader showing my new design;
FIG. 2 is a front elevational view thereof;
FIG. 3 is a rear elevational view thereof;
FIG. 4 is a left side elevational view thereof;
FIG. 5 is a right side elevational view thereof;
FIG. 6 is a top plan view thereof;
FIG. 7 is a bottom plan view thereof; and,
FIG. 8 is another perspective view thereof.

1 Claim, 8 Drawing Sheets



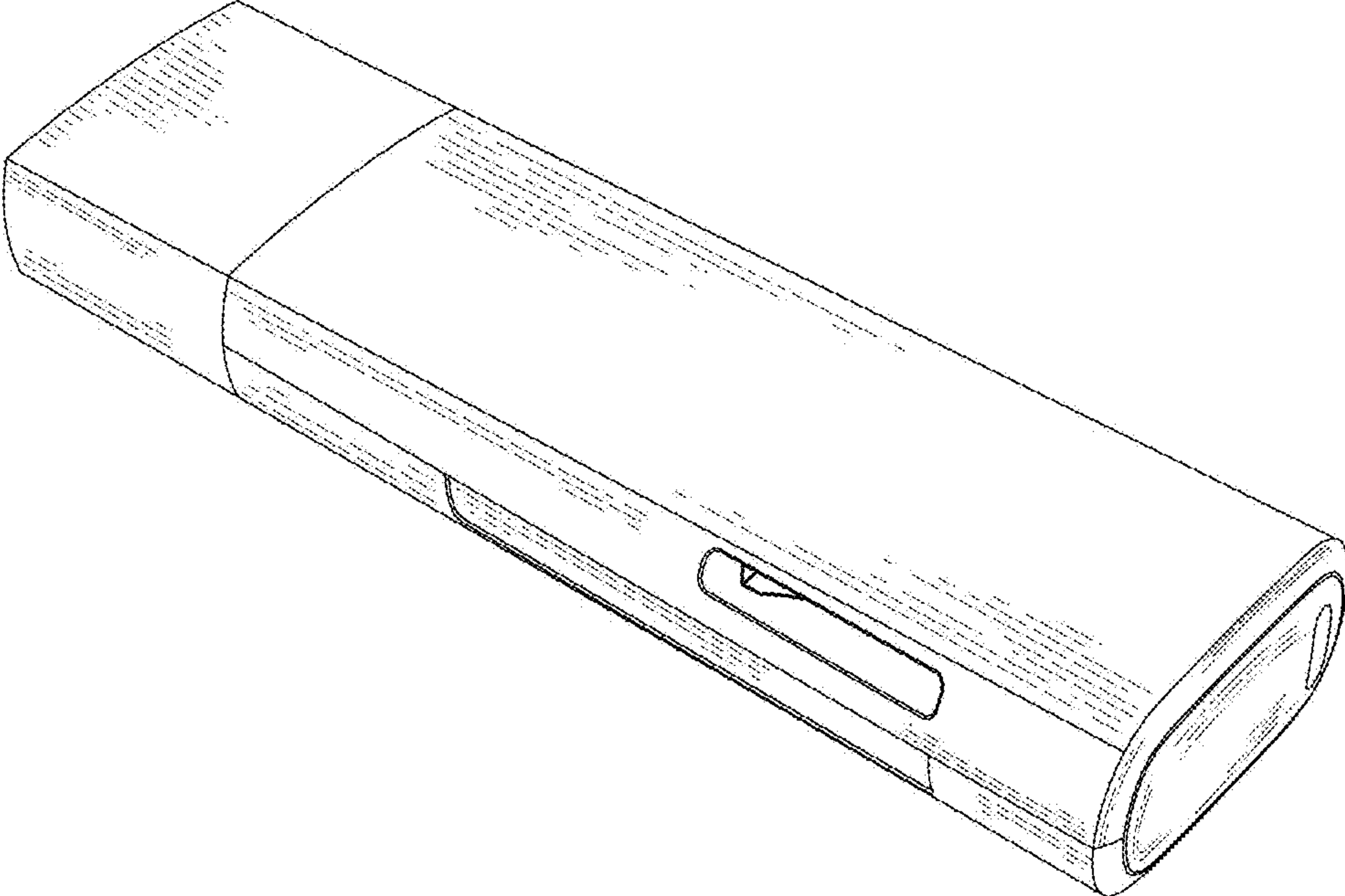


FIG. 1

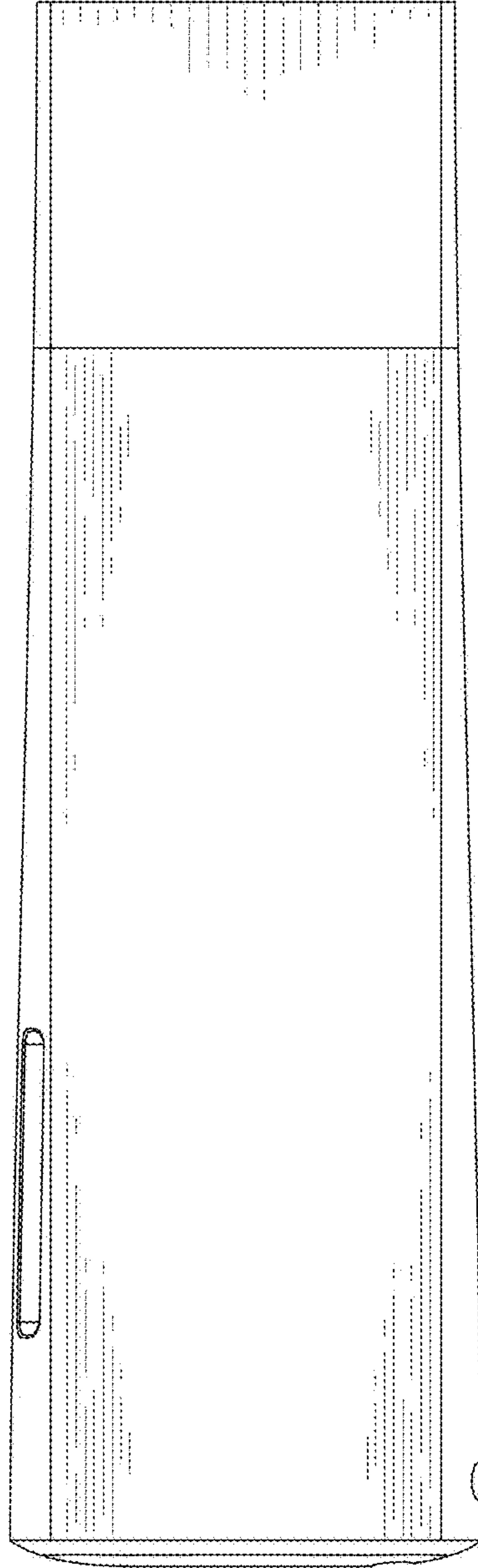


FIG. 2

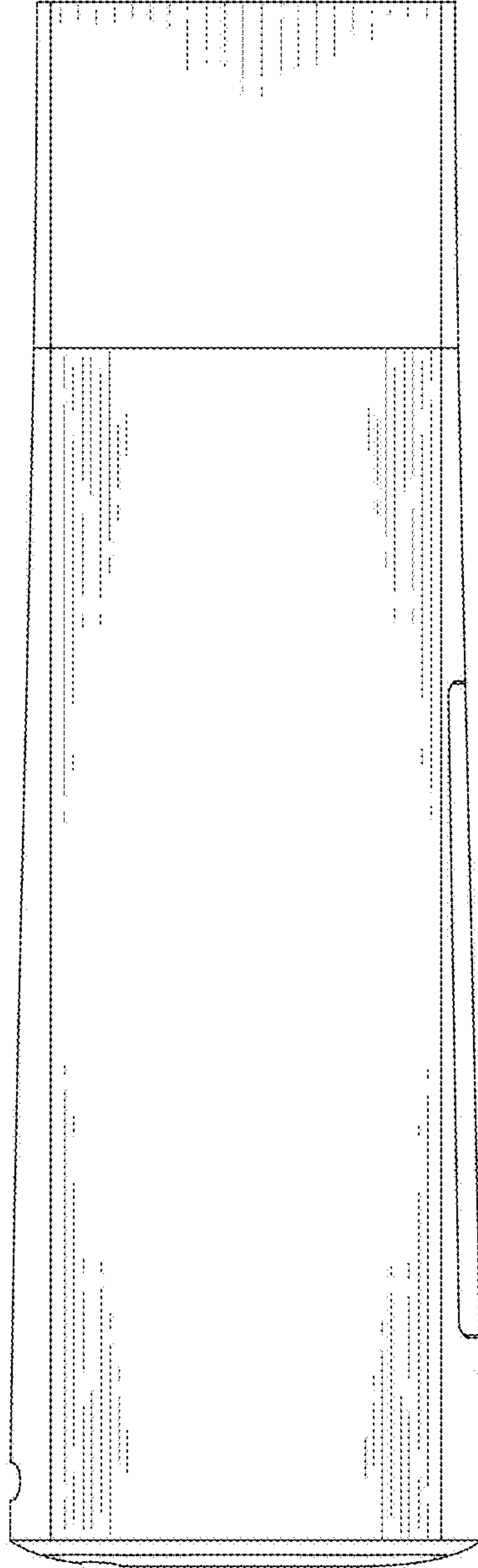


FIG. 3

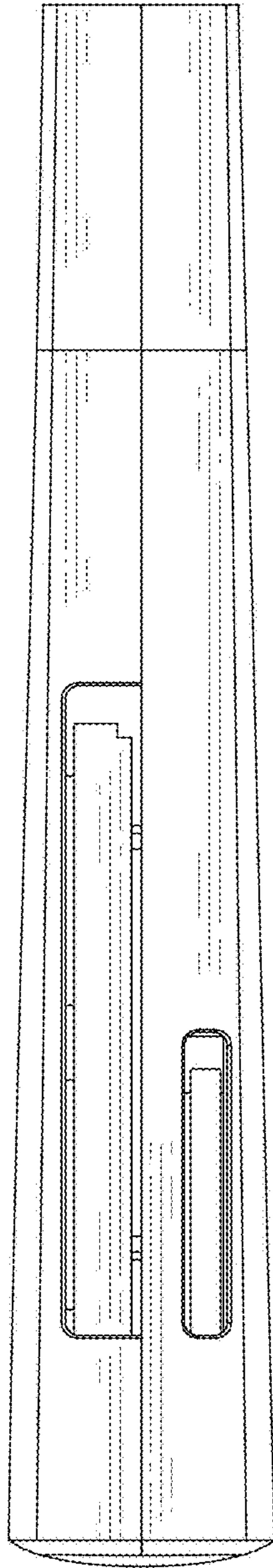


FIG. 4

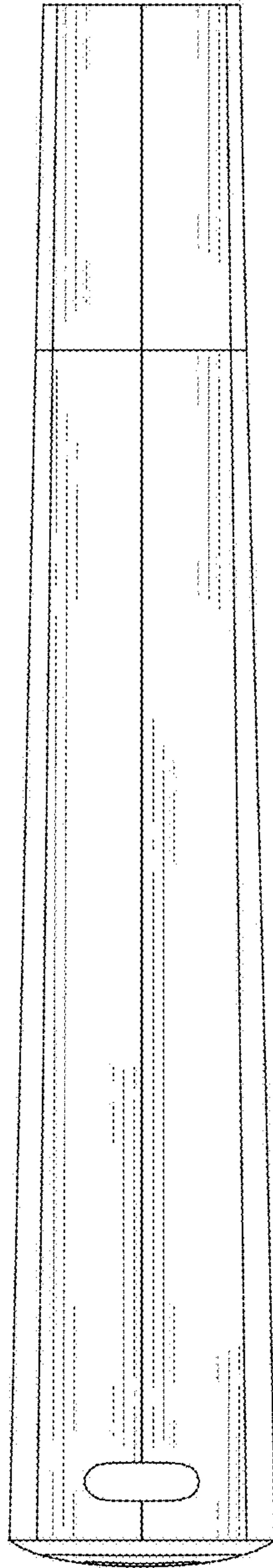


FIG. 5

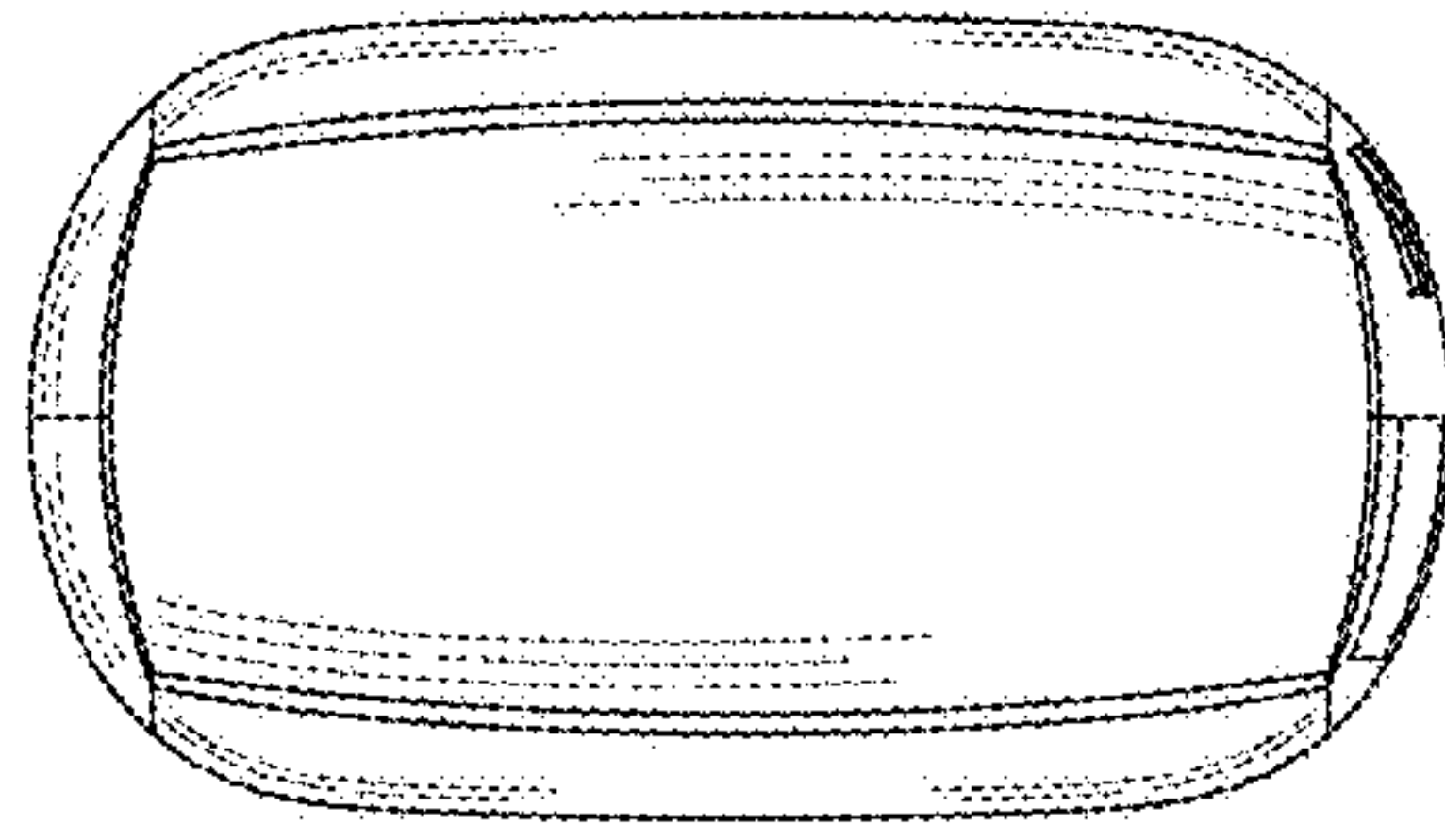


FIG. 6

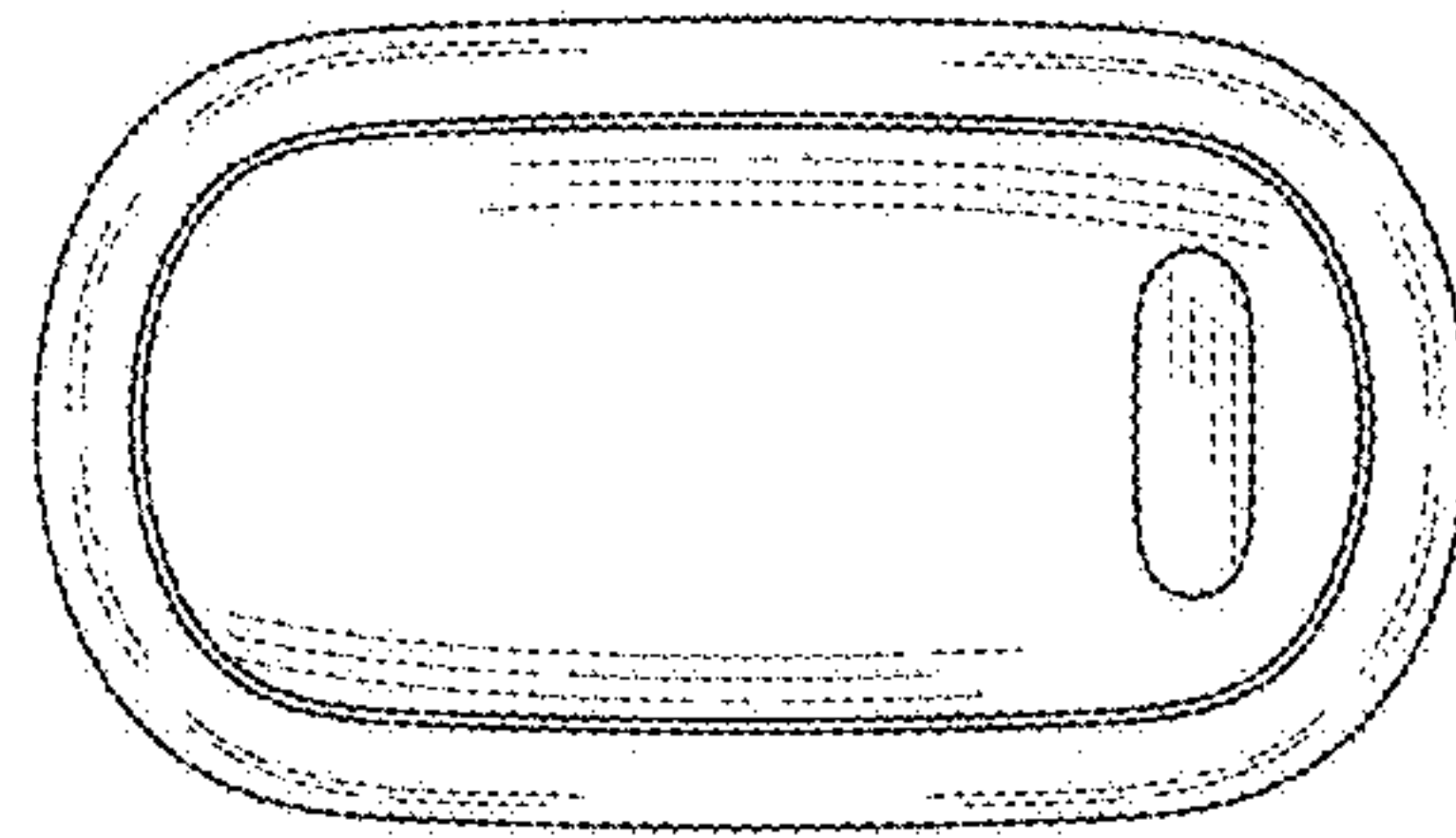


FIG. 7

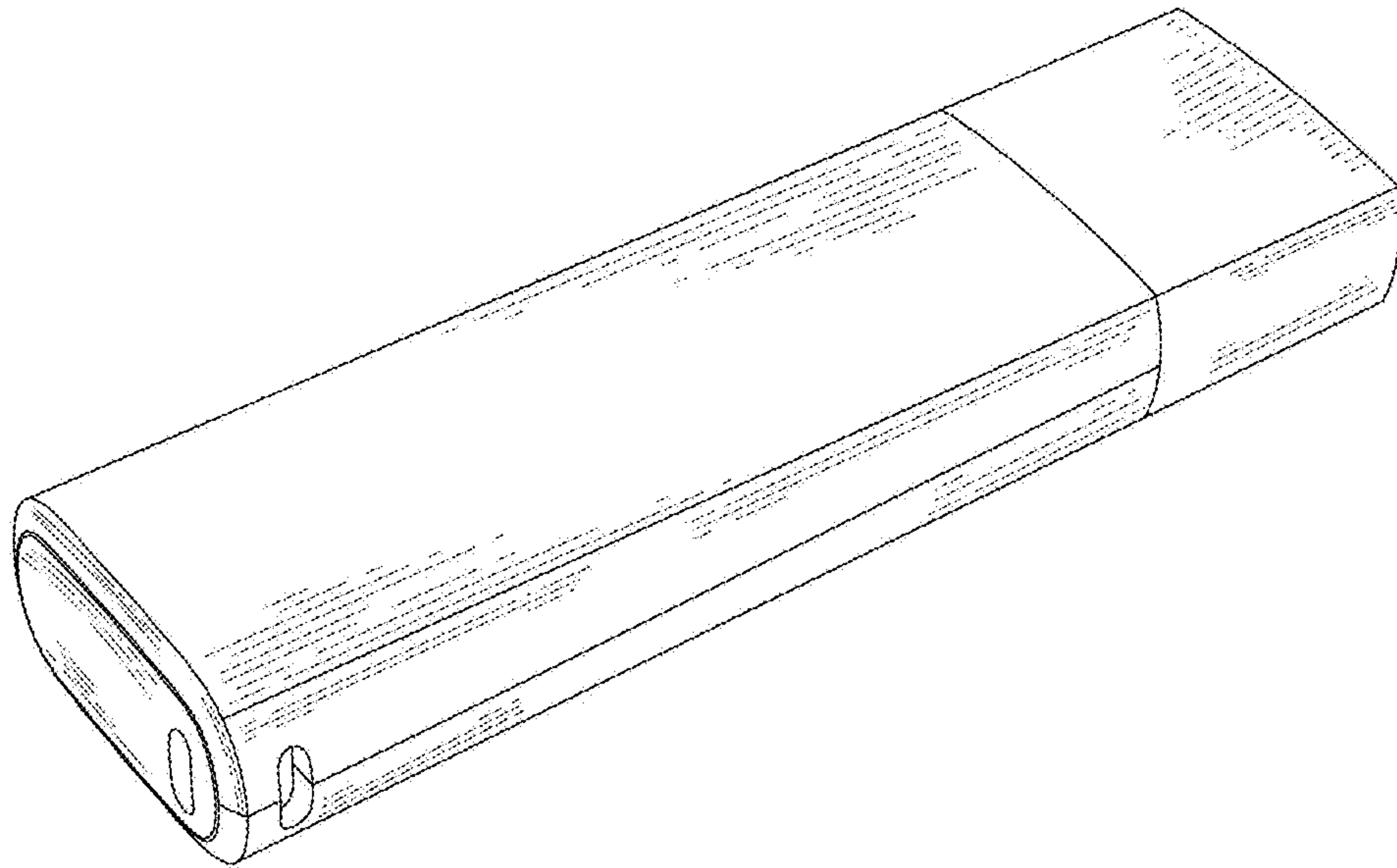


FIG. 8