



US00D942450S

(12) **United States Design Patent** (10) **Patent No.:** **US D942,450 S**  
**Hu et al.** (45) **Date of Patent:** **\*\* Feb. 1, 2022**

(54) **VR OR AR HEAD-MOUNTED DISPLAY DEVICE**

(71) Applicant: **Lenovo (Beijing) Co., Ltd.**, Beijing (CN)

(72) Inventors: **Yiting Hu**, Beijing (CN); **Shanshan Ren**, Beijing (CN)

(73) Assignee: **Lenovo (Beijing) Co., Ltd.**, Beijing (CN)

(\*\*) Term: **15 Years**

(21) Appl. No.: **35/510,056**

(22) Filed: **May 13, 2020**

(80) **Hague Agreement Data**

Int. Filing Date: **May 13, 2020**

Int. Reg. No.: **DM/209583**

Int. Reg. Date: **May 13, 2020**

Int. Reg. Pub. Date: **Aug. 14, 2020**

(30) **Foreign Application Priority Data**

Nov. 13, 2019 (CN) ..... 201930624347.7

Nov. 13, 2019 (CN) ..... 201930625005.7

Nov. 13, 2019 (CN) ..... 201930625539.X

(51) **LOC (13) Cl.** ..... **14-02**

(52) **U.S. Cl.**  
USPC ..... **D14/372**

(58) **Field of Classification Search**

USPC ..... D14/205, 206, 223, 372, 420, 426, 427,  
D14/430, 431; D16/100, 130, 300, 301,  
D16/309, 311, 325, 326, 339

CPC ..... G02B 27/017; G02B 27/0176  
See application file for complete search history.

(56) **References Cited**

**U.S. PATENT DOCUMENTS**

D358,150 S \* 5/1995 Lewis, Jr. .... D14/205

D649,177 S \* 11/2011 Cho ..... D16/309

D687,087 S \* 7/2013 Iurilli ..... D16/326  
D724,647 S \* 3/2015 Rohrbach ..... D16/309  
D738,373 S \* 9/2015 Davies ..... D14/372  
D751,551 S \* 3/2016 Ho ..... D14/372  
D752,129 S \* 3/2016 Lee ..... D16/315  
D765,076 S \* 8/2016 Rochat ..... D14/372  
D782,477 S \* 3/2017 Cazalet ..... D14/372  
D792,400 S \* 7/2017 Osterhout ..... D14/372

(Continued)

**OTHER PUBLICATIONS**

CES: Lenovo Thinkreality A3: Glasses open five virtual monitors, publication date Jan. 10, 2021, [online] URL: <https://rondea.com/article/ces-lenovo-thinkreality-a3-glasses-open-five-virtual-monitors/> (Year: 2021).\*

(Continued)

*Primary Examiner* — L. A. Grabenstetter

(74) *Attorney, Agent, or Firm* — Oppedahl Patent Law Firm LLC

(57) **CLAIM**

The ornamental design for a VR or AR head-mounted display device, as shown and described.

**DESCRIPTION**

1.-3. VR or AR head-mounted display device

2.1: Front view

2.2: Back view

2.3 : Left view

2.4 : Right view

2.5 : Top view

2.6 : Bottom view

2.7 : Perspective view

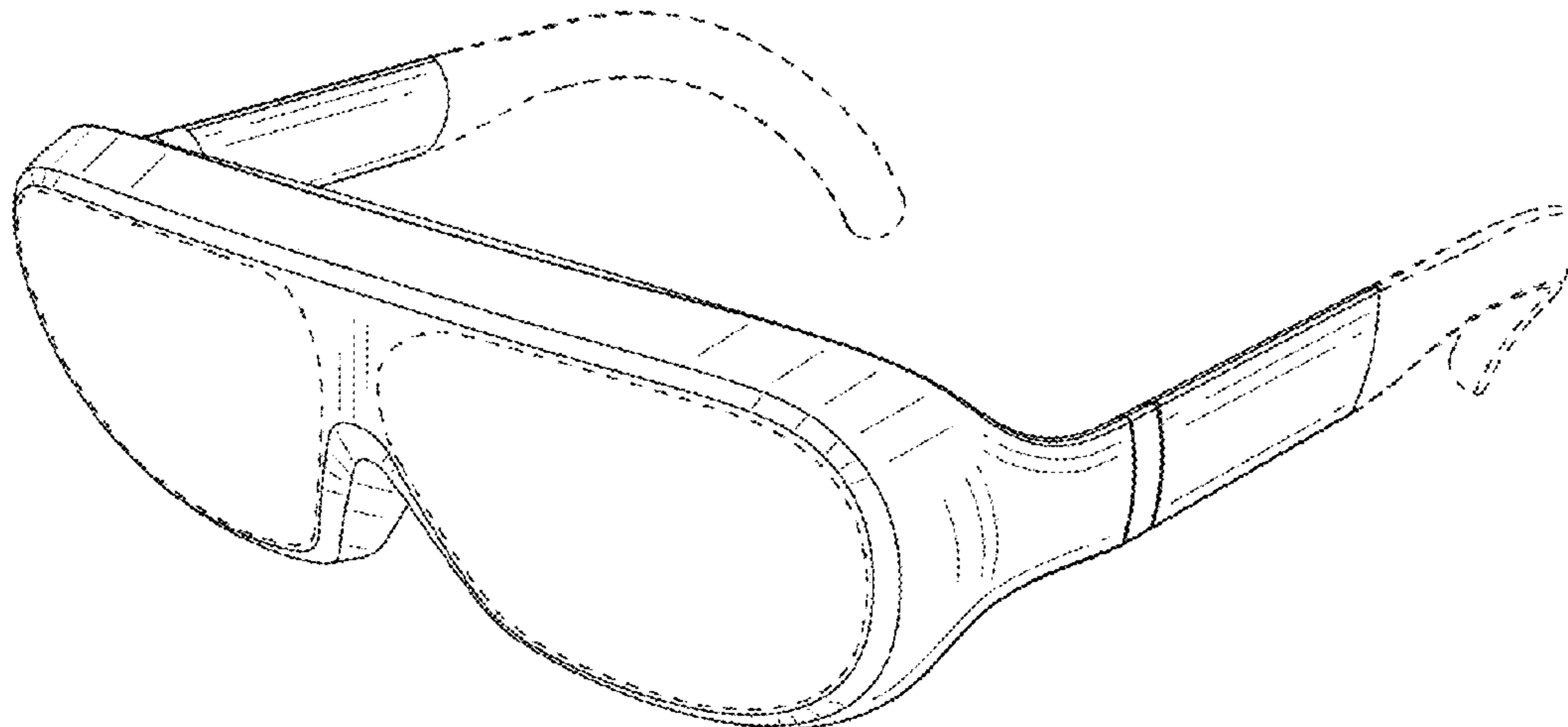
2.8 : Perspective view 1 of state of use

2.9 : Perspective view 2 of state of use

2.10 : Back view of state of use

The broken lines shown in the drawings illustrate portions of the VR or AR head-mounted display device that form no part of the claimed design.

**1 Claim, 10 Drawing Sheets**



(56)

References Cited

U.S. PATENT DOCUMENTS

9,696,566 B2 \* 7/2017 Chow ..... G02C 11/10  
 D810,182 S \* 2/2018 Porter ..... D16/309  
 D827,701 S \* 9/2018 Nguyen ..... D16/309  
 D833,500 S \* 11/2018 Su ..... D16/130  
 D849,822 S \* 5/2019 Marron ..... D16/309  
 D856,402 S \* 8/2019 Miera ..... D16/300  
 10,379,376 B2 \* 8/2019 Kuczewski ..... G02C 5/146  
 D861,681 S \* 10/2019 Chen ..... D14/372  
 D862,466 S \* 10/2019 He ..... D14/372  
 D865,040 S \* 10/2019 Schaal ..... D16/309  
 D886,103 S \* 6/2020 He ..... D14/372  
 D887,407 S \* 6/2020 Rao ..... D14/372  
 D888,053 S \* 6/2020 Rao ..... D14/372  
 D892,791 S \* 8/2020 Moon ..... D14/372  
 D900,092 S \* 10/2020 Villalpando ..... D14/372  
 D900,920 S \* 11/2020 Cohen ..... D16/309  
 D918,902 S \* 5/2021 Ko ..... D14/372  
 D923,006 S \* 6/2021 Villalpando ..... D14/372  
 2013/0235331 A1 \* 9/2013 Heinrich ..... G02C 11/10  
 351/158  
 2014/0146243 A1 \* 5/2014 Liu ..... H04R 5/0335  
 348/838  
 2019/0384064 A1 \* 12/2019 Lee ..... G06F 3/013

OTHER PUBLICATIONS

Panasonic's novel VR glasses prototype, publication date Jan. 9, 2020, [online] URL: <https://www.techradar.com/news/panasonics-novel-vr-glasses-are-a-neat-idea-but-theres-a-big-issue-with-weight> (Year: 2020).\*

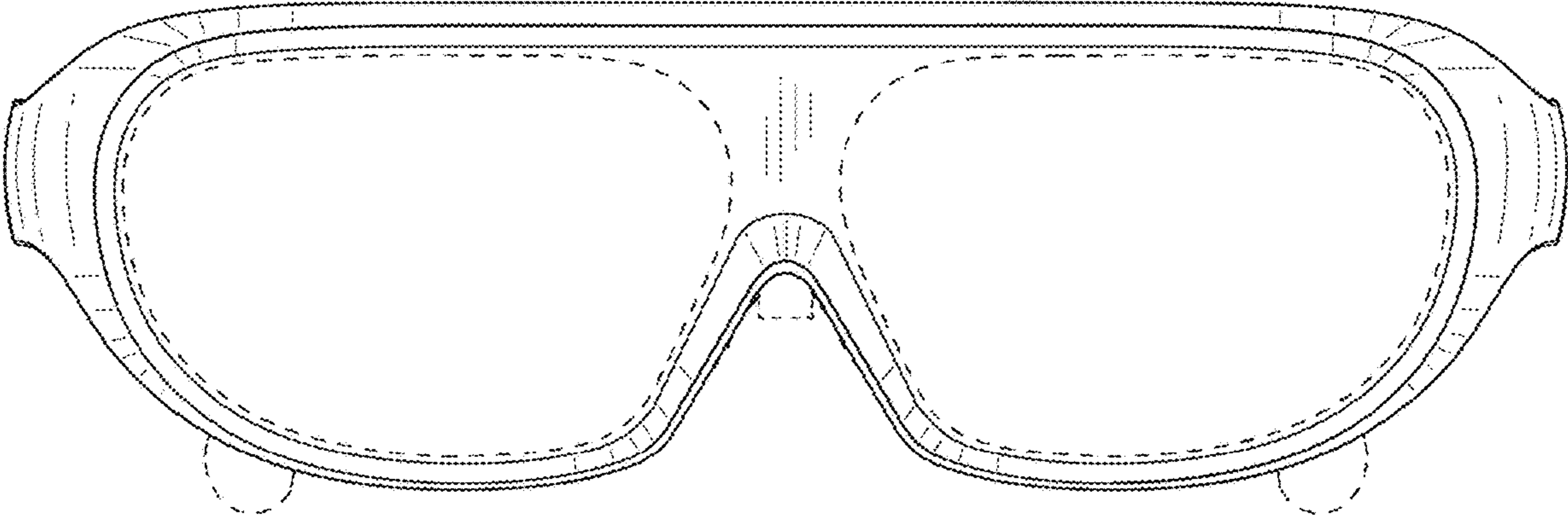
MAD Gaze mixed reality smart glasses GLOW prototype, publication date Aug. 15, 2019, [online] URL: <https://www.youtube.com/watch?v=x73nR8D5FUw> (Year: 2019).\*

New Google Glass AR Headset, publication date May 22, 2019, [online] URL: <https://www.digitalbodies.net/augmented-reality/new-google-glass-ar-headset-google-tries-again/> (Year: 2019).\*

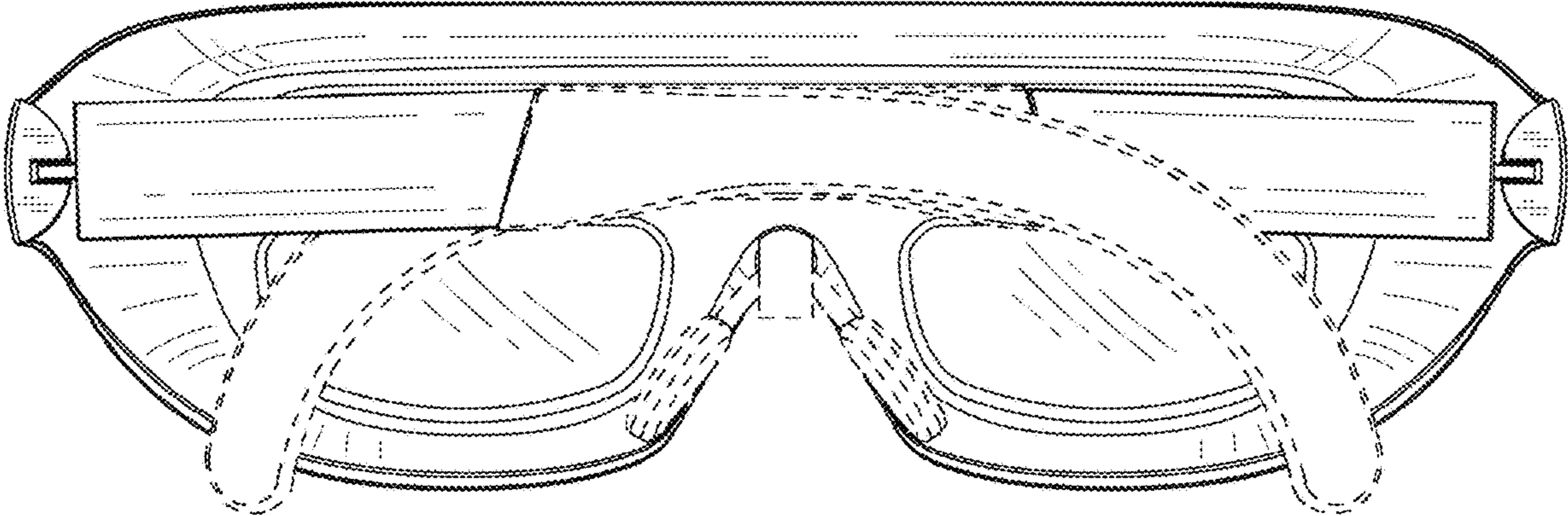
OGD unveils its first consumer AR/VR glasses, publication date Jan. 3, 2017, [online] URL: <https://techcrunch.com/2017/01/03/odg-unveils-its-first-consumer-ar-glasses-built-on-qualcomms-snapdragon-835-chip/> (Year: 2017).\*

\* cited by examiner

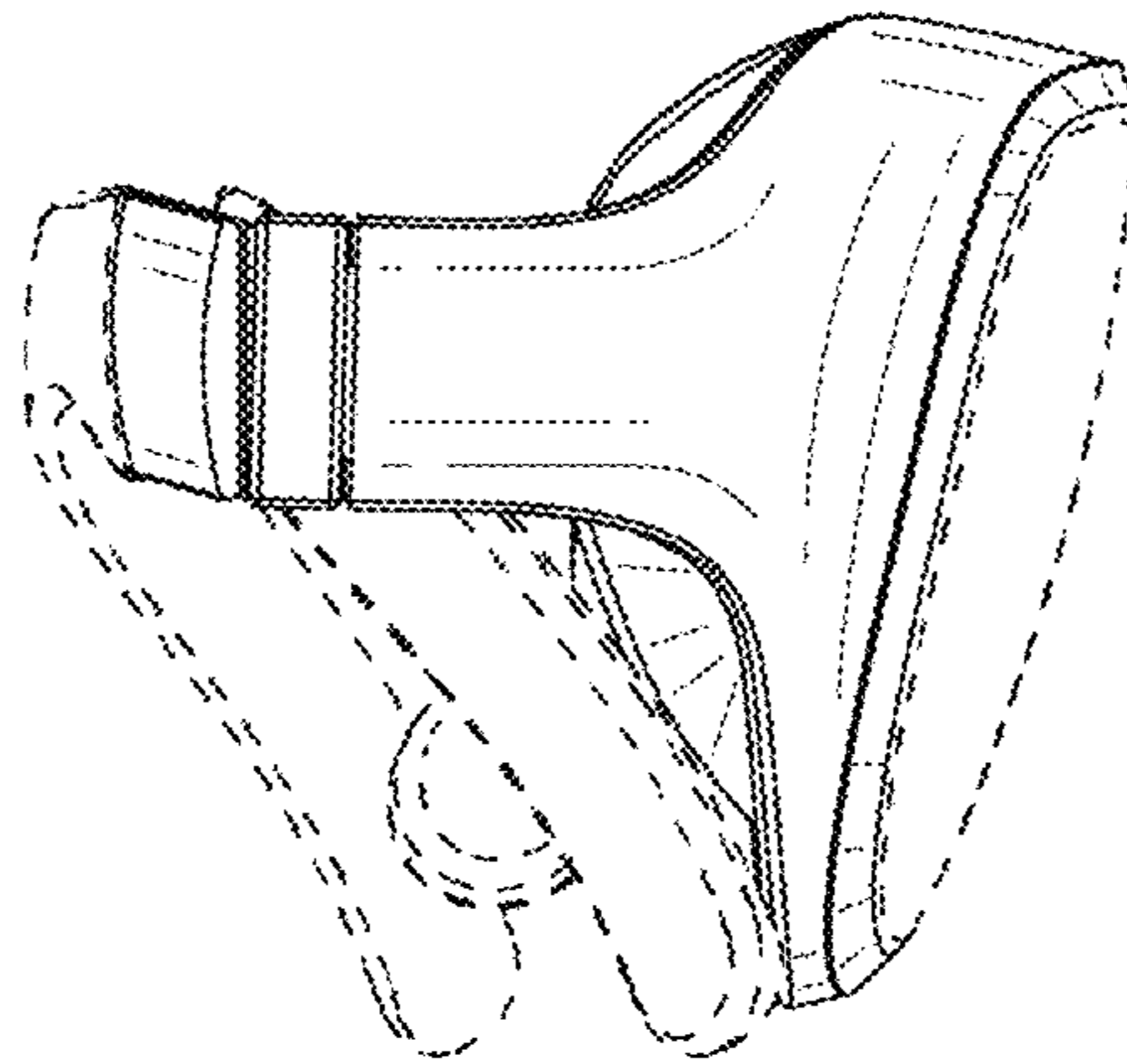
2.1



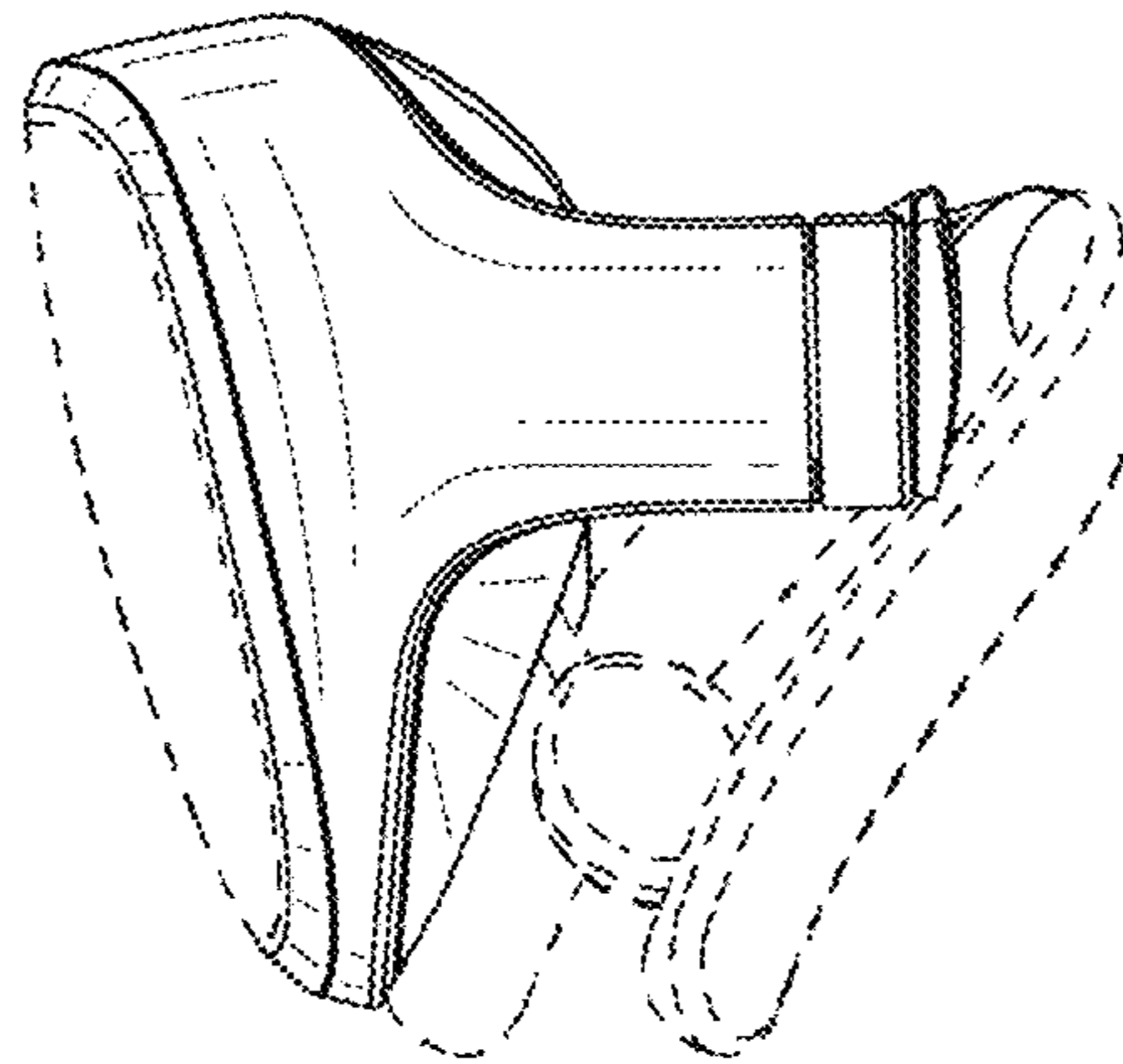
2.2



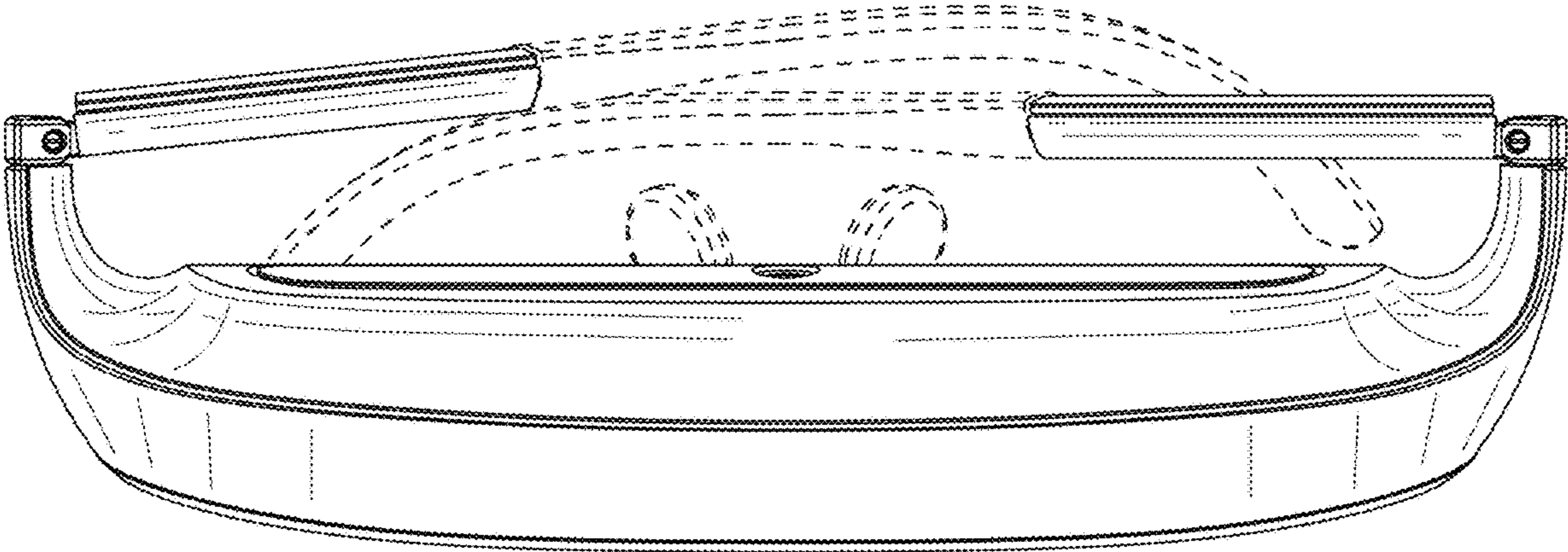
2.3



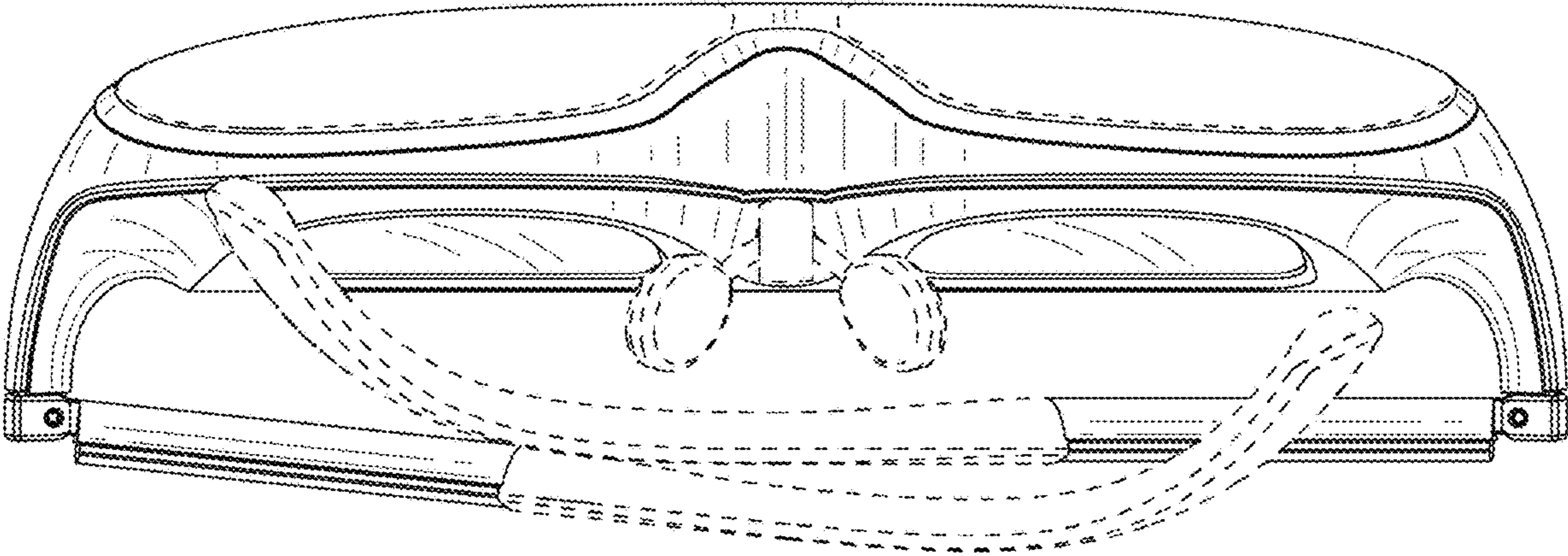
2.4



2.5

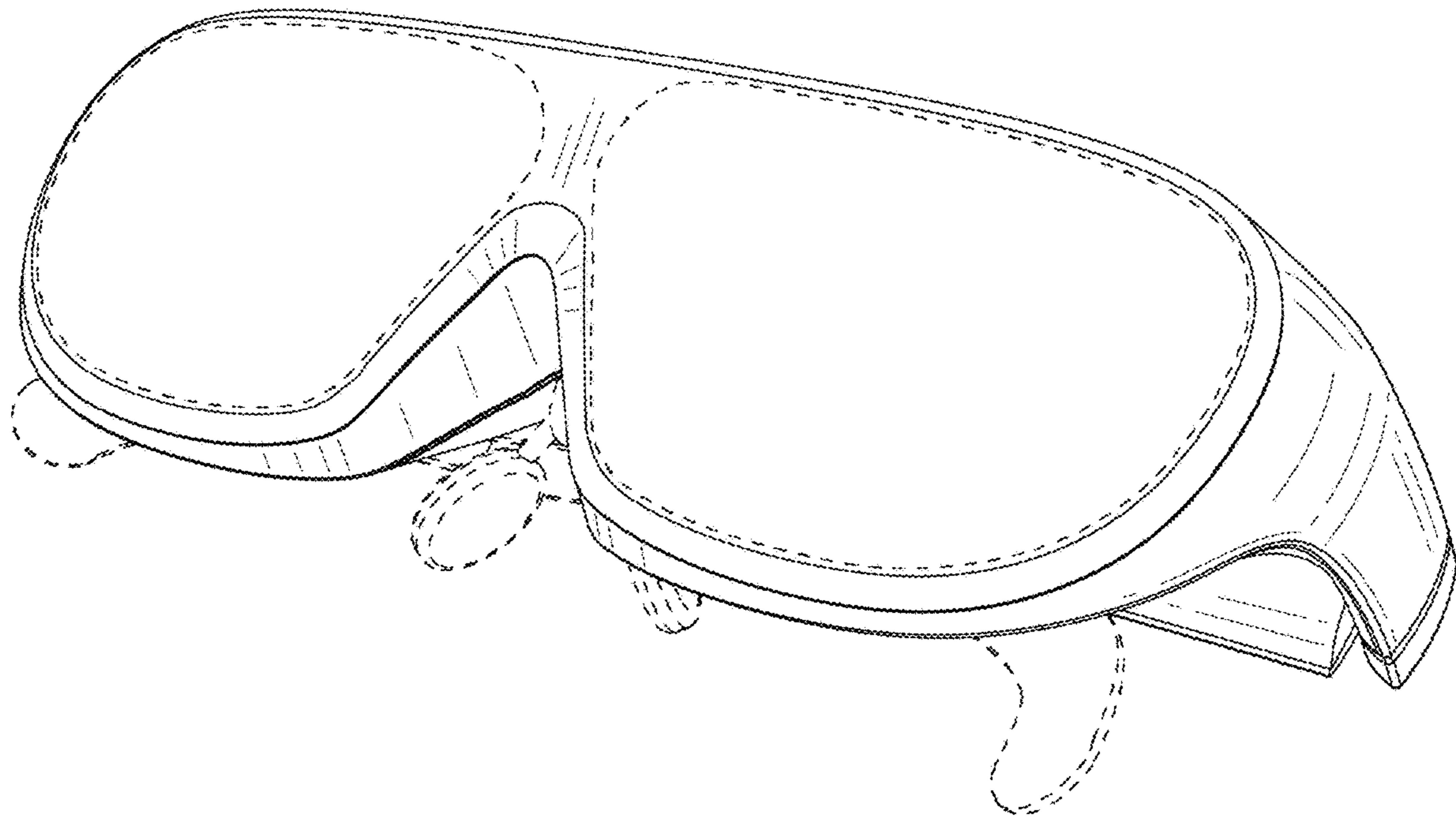


2.6

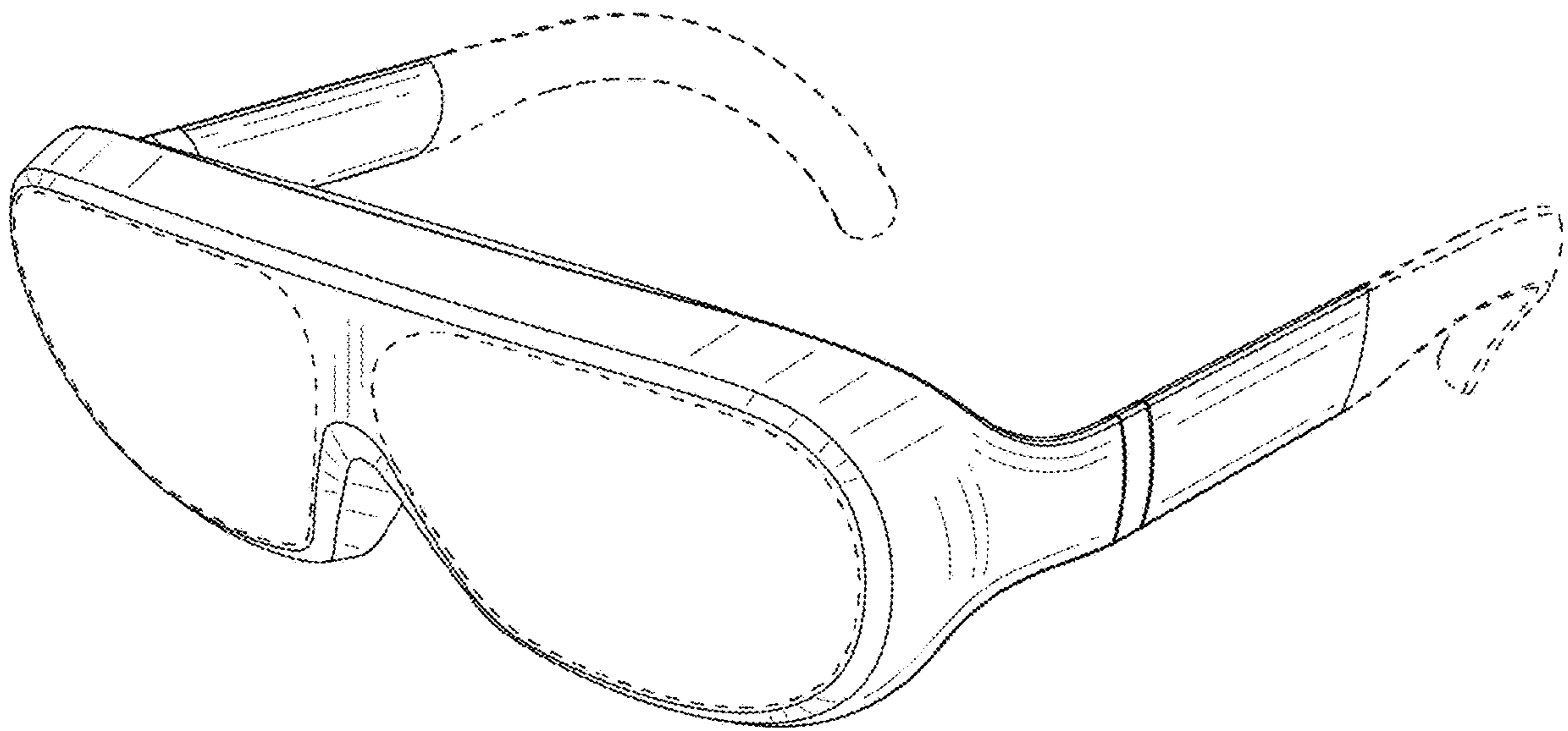




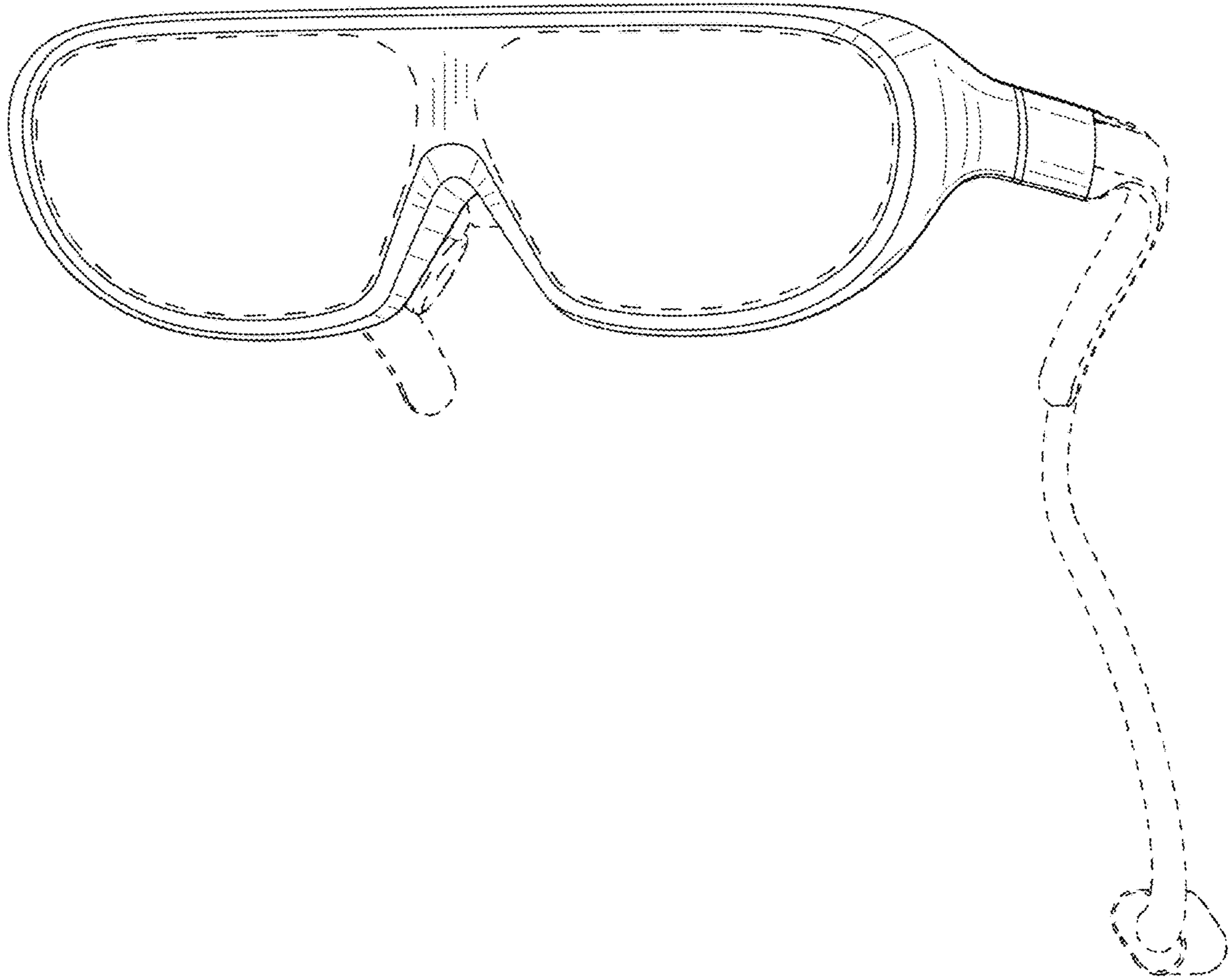
2.7



2.8



2.9



2.10

