

US00D942449S

(12) **United States Design Patent** (10) **Patent No.:** **US D942,449 S**
Sanz (45) **Date of Patent:** **** Feb. 1, 2022**

(54) **VIRTUAL REALITY VIEWER**

(71) Applicant: **2EYES VISION S.L.**, Madrid (ES)

(72) Inventor: **José Ramón Alonso Sanz**, Madrid (ES)

(73) Assignee: **2EYES VISION S.L.**, Madrid (ES)

(**) Term: **15 Years**

(21) Appl. No.: **29/655,428**

(22) Filed: **Jul. 3, 2018**

(30) **Foreign Application Priority Data**

Jun. 6, 2018 (EM) 005300019

(51) **LOC (13) Cl.** **14-02**

(52) **U.S. Cl.**
USPC **D14/372**

(58) **Field of Classification Search**
USPC D14/372, 496, 432, 371, 125, 126, 129,
D14/299; D16/300–342; 351/158, 153,
351/144; 345/7–9, 905; 455/344;
348/115, 53, 121, 739
CPC G02B 27/017; G02B 27/0158; G02B
27/0161; G02B 27/0181; G02B 27/0185;
G02B 27/0189

See application file for complete search history.

(56) **References Cited**

U.S. PATENT DOCUMENTS

D427,982 S *	7/2000	Ishii	D14/372
D727,896 S *	4/2015	Laluque	D14/372
D741,327 S *	10/2015	Reznik	D14/372
D778,909 S *	2/2017	Nokuo	D14/372
D780,751 S *	3/2017	Park	D14/372
D796,505 S *	9/2017	Natsume	D14/372
D862,464 S *	10/2019	Natsume	D14/372
D918,906 S *	5/2021	Natsume	D14/372

* cited by examiner

Primary Examiner — Austin Murphy

(74) *Attorney, Agent, or Firm* — Cantor Colburn LLP

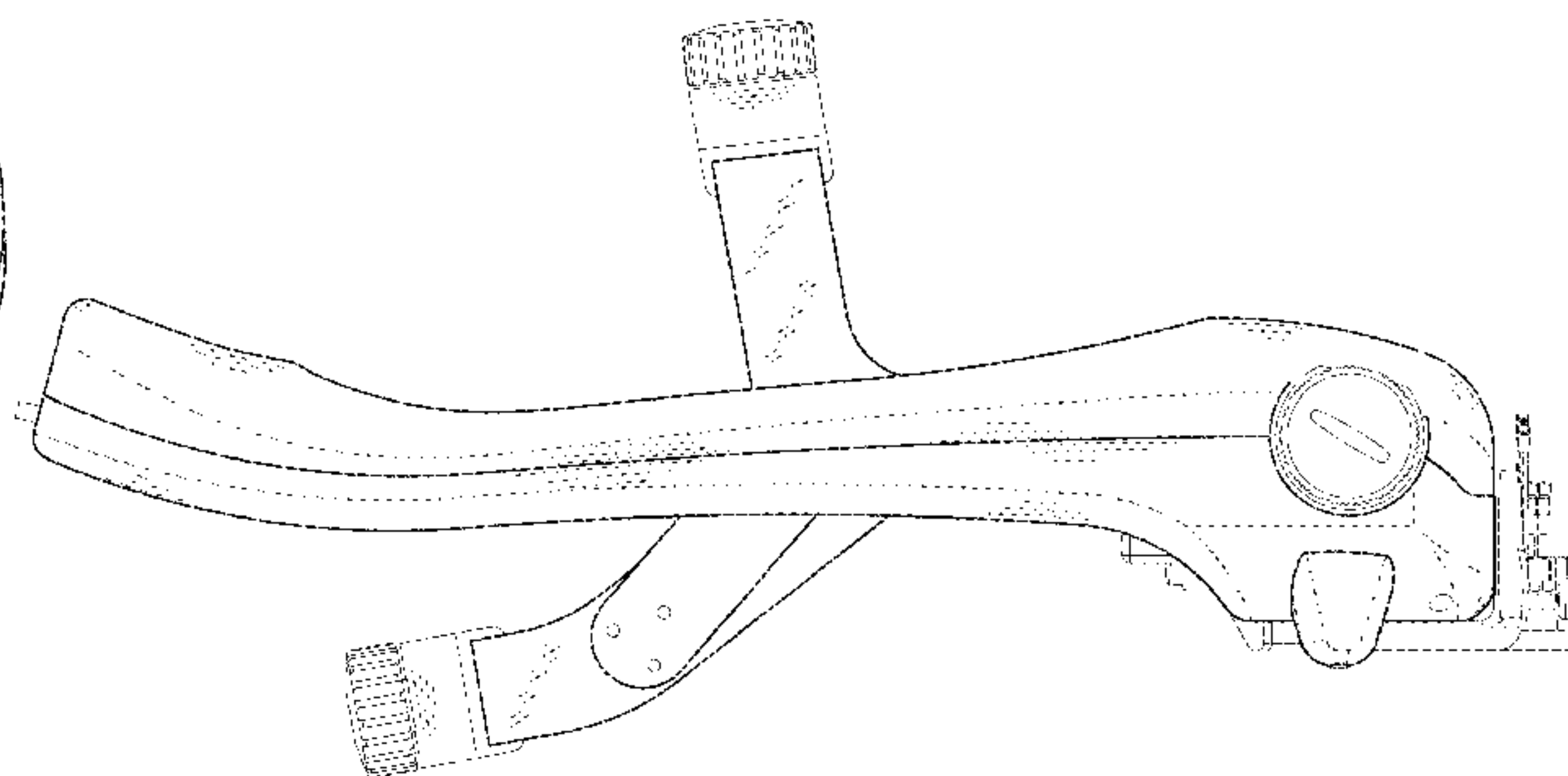
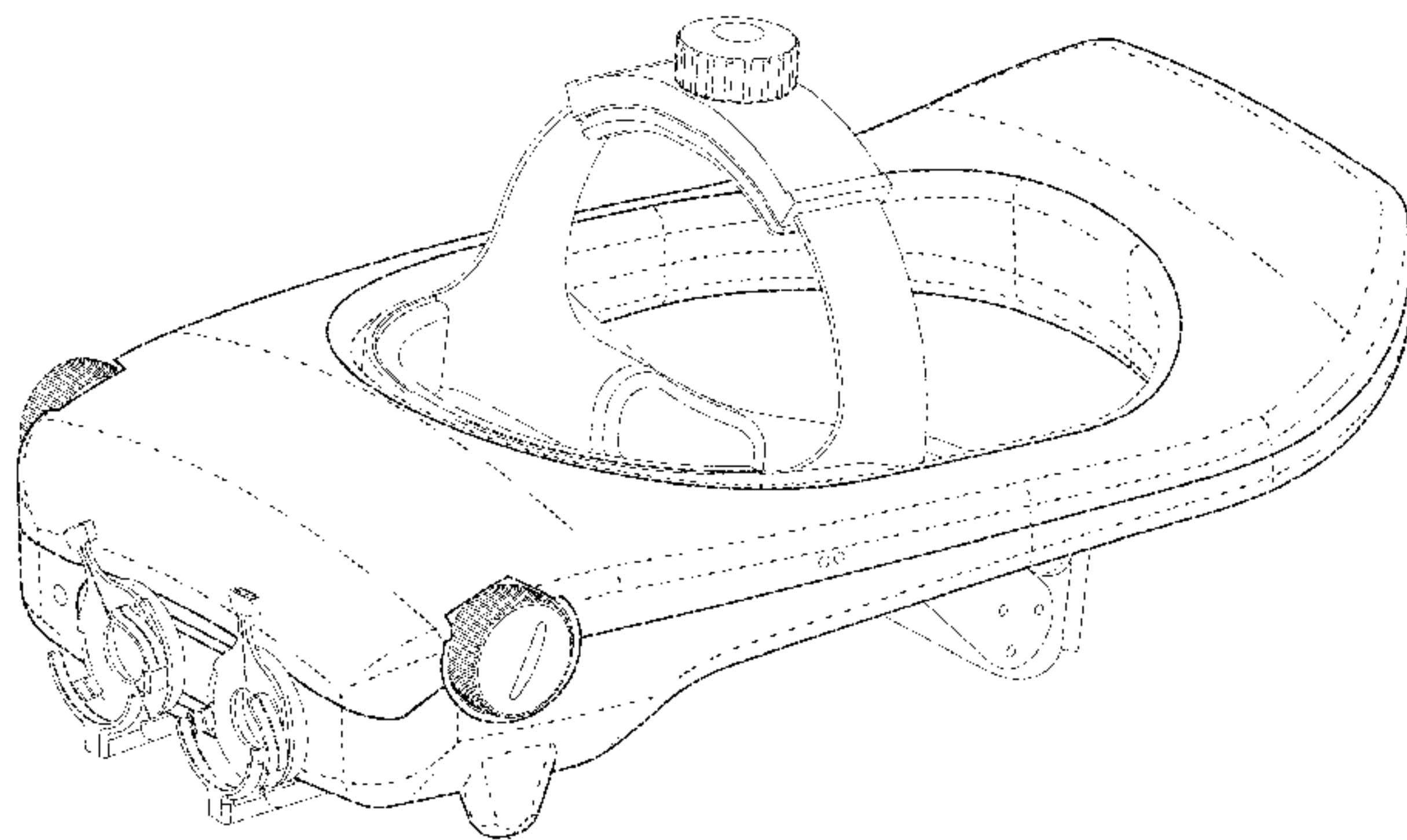
(57) **CLAIM**

I claim, the ornamental design for a virtual reality viewer, as shown and described.

DESCRIPTION

FIG. 1 is a perspective view of a virtual reality viewer, showing my new design;
FIG. 2 is a front elevation view thereof;
FIG. 3 is a rear elevation view thereof;
FIG. 4 is a left side elevation view thereof;
FIG. 5 is a right side elevation view thereof;
FIG. 6 is a top plan view thereof; and,
FIG. 7 is a bottom plan view thereof.

1 Claim, 7 Drawing Sheets



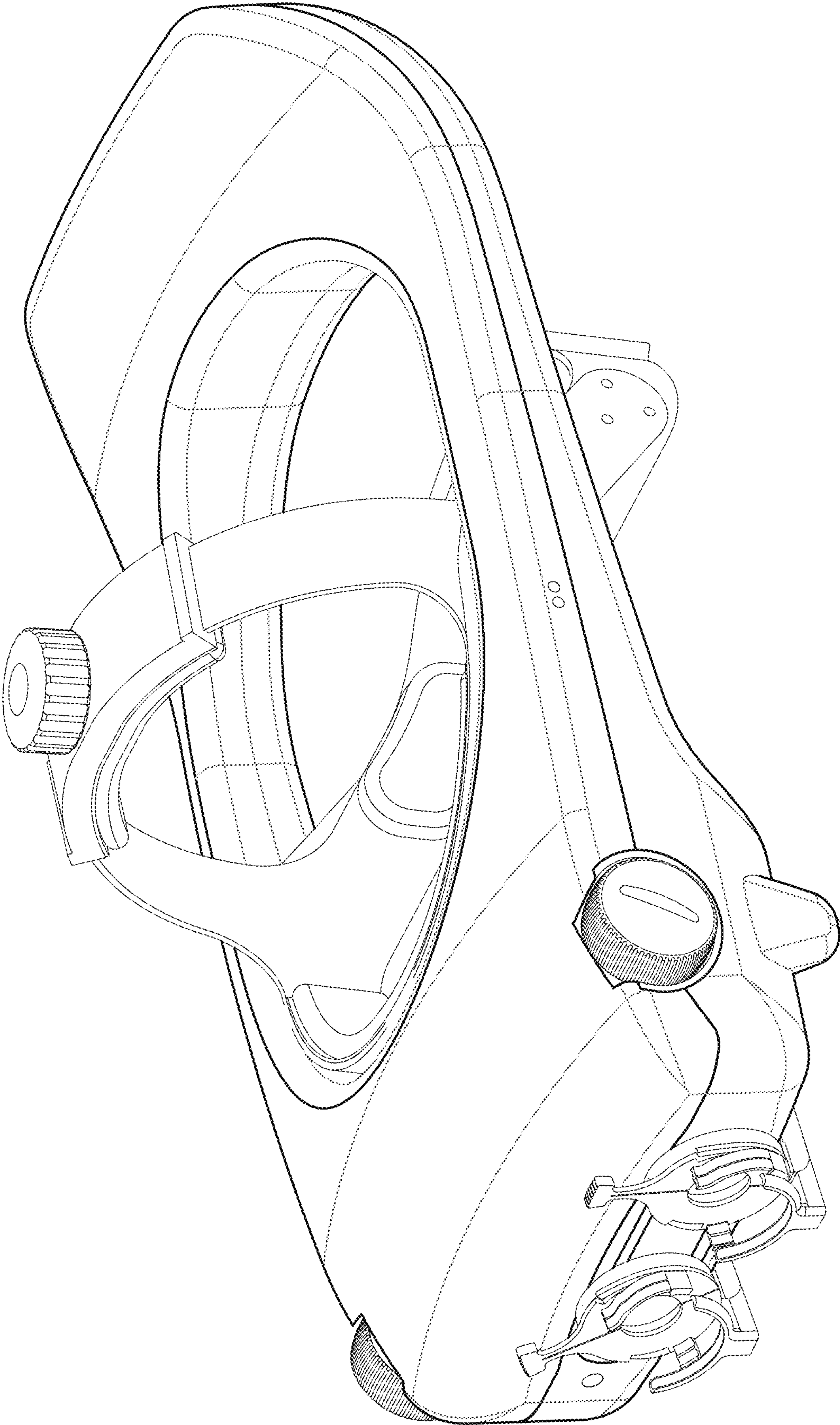


FIGURE 1

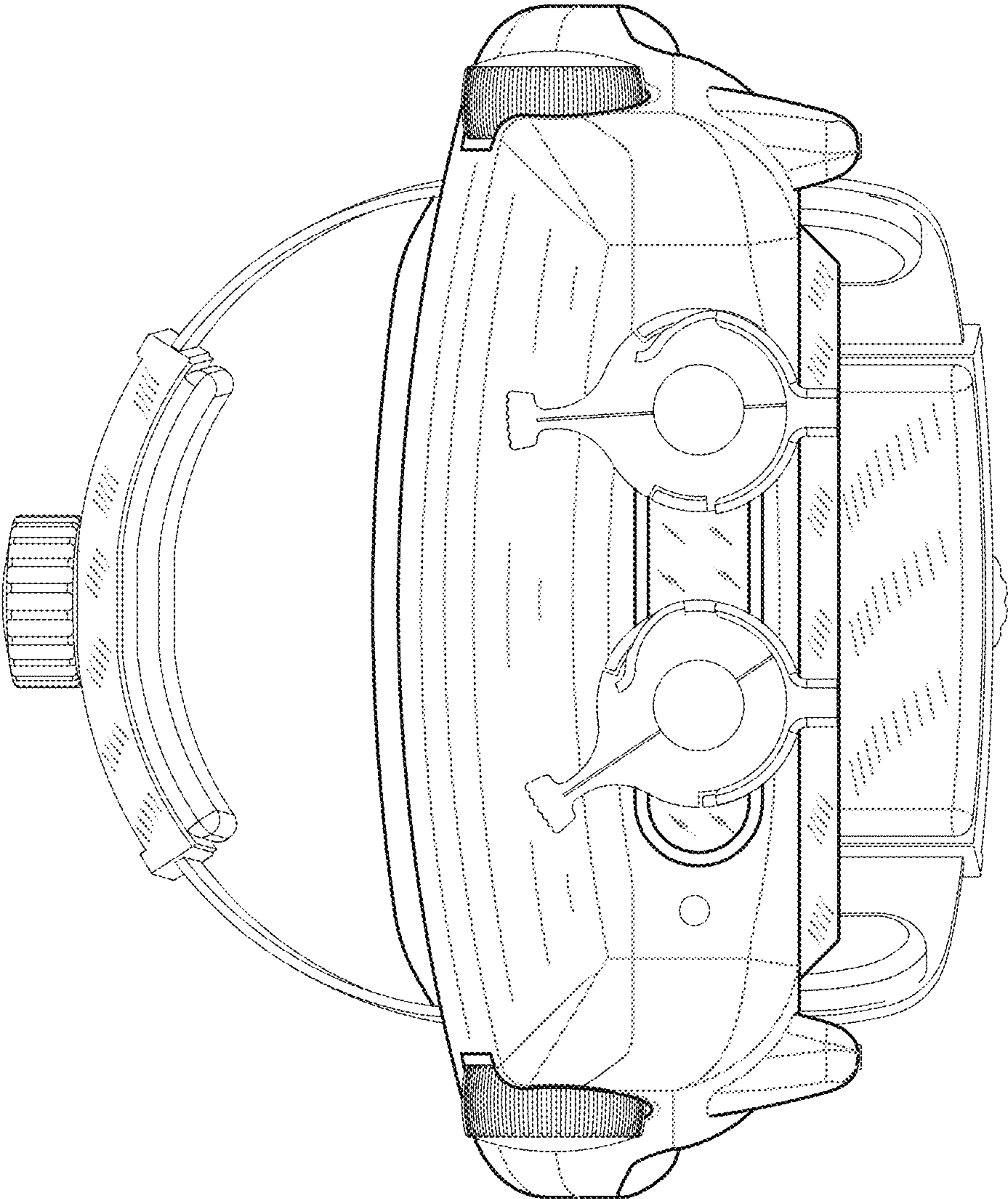


FIGURE 2

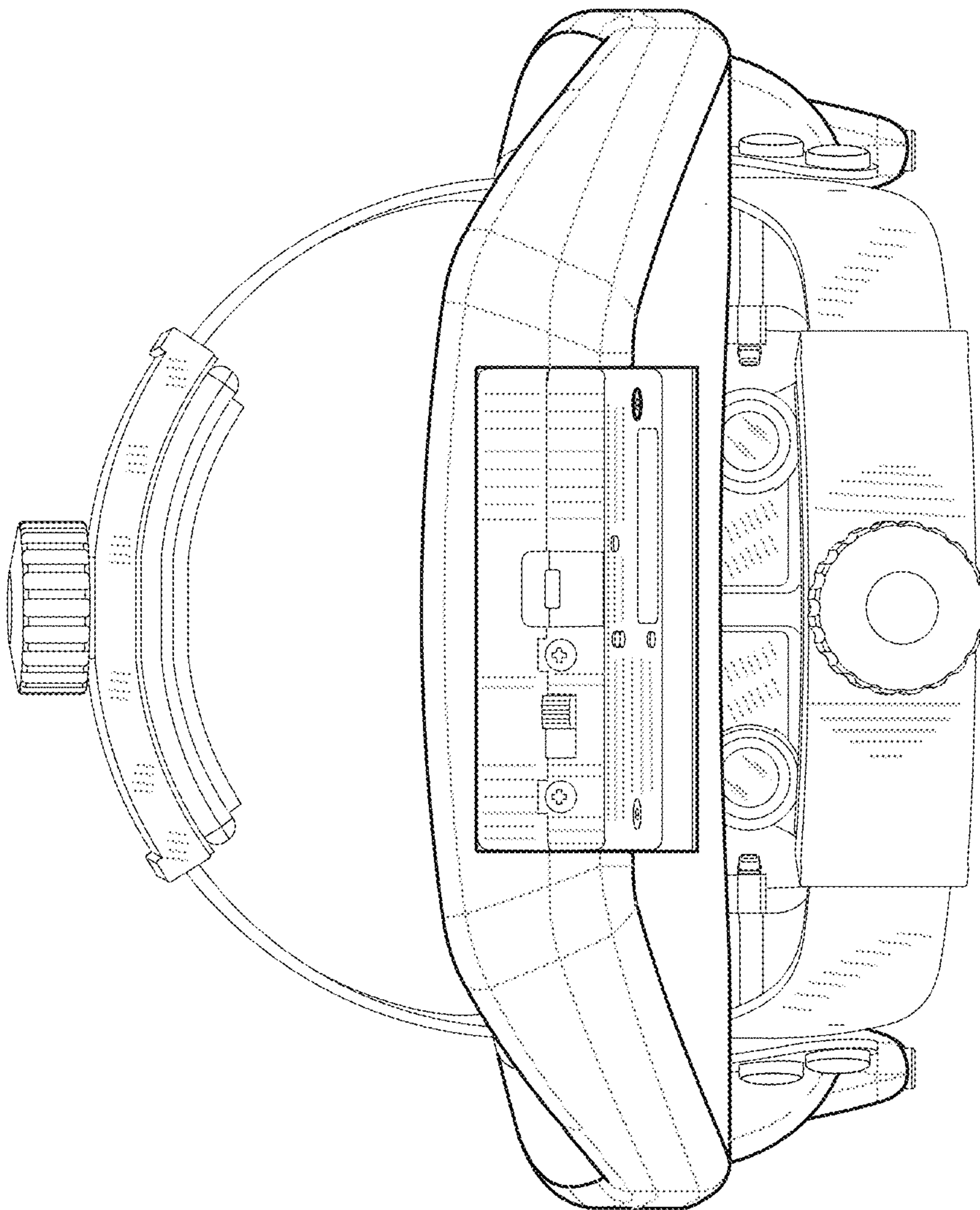


FIGURE 3

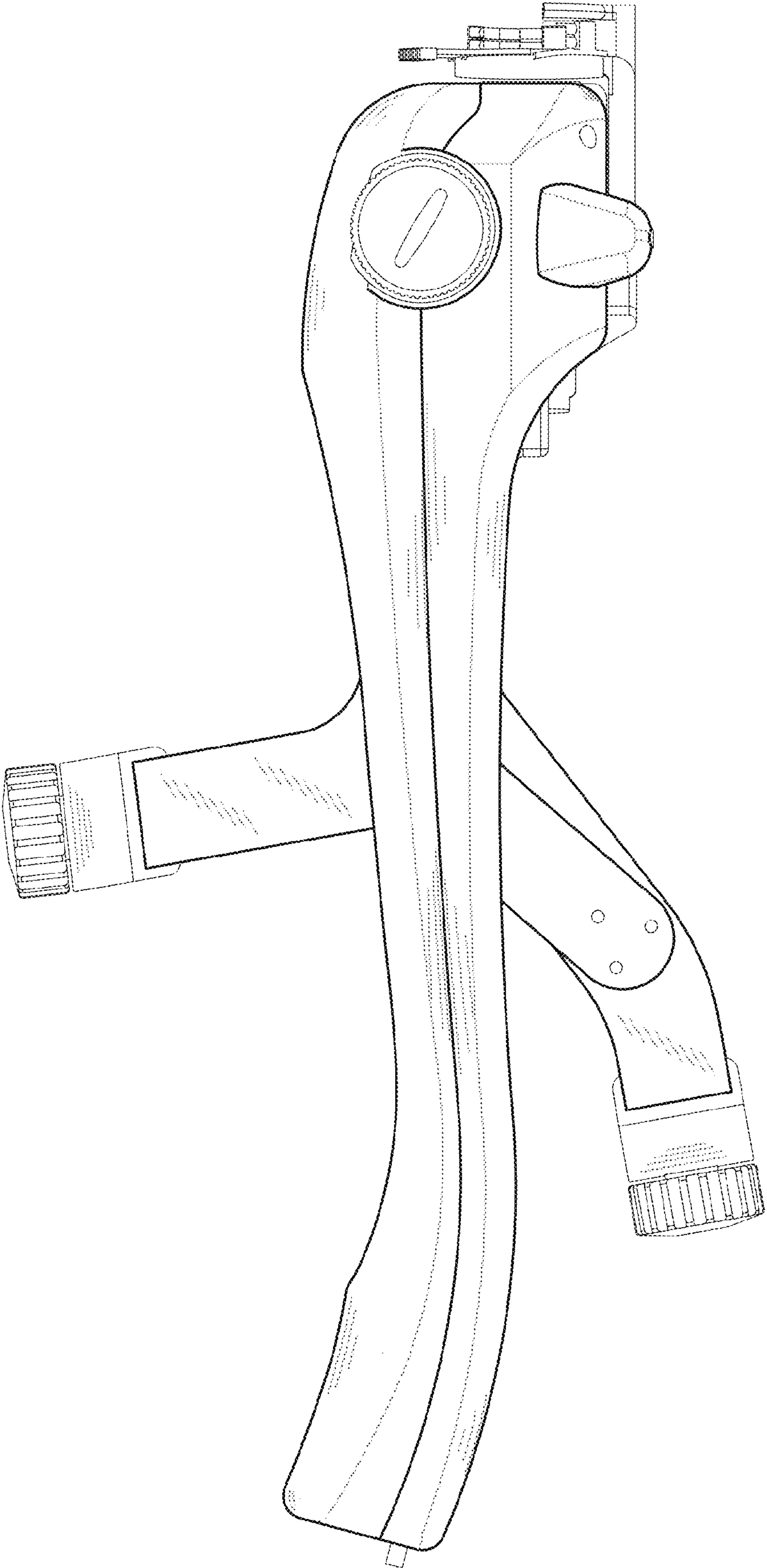


FIGURE 4

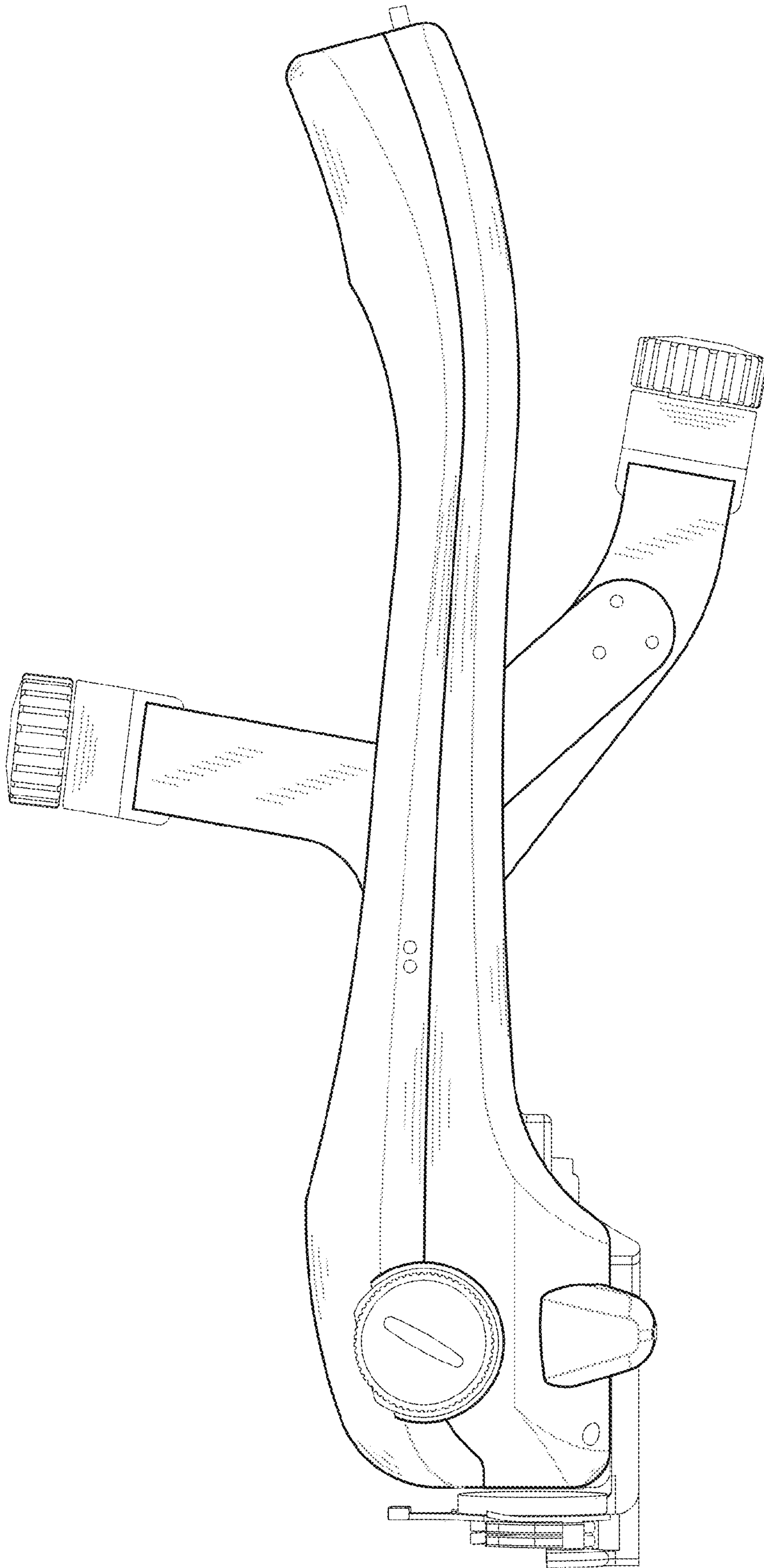


FIGURE 5

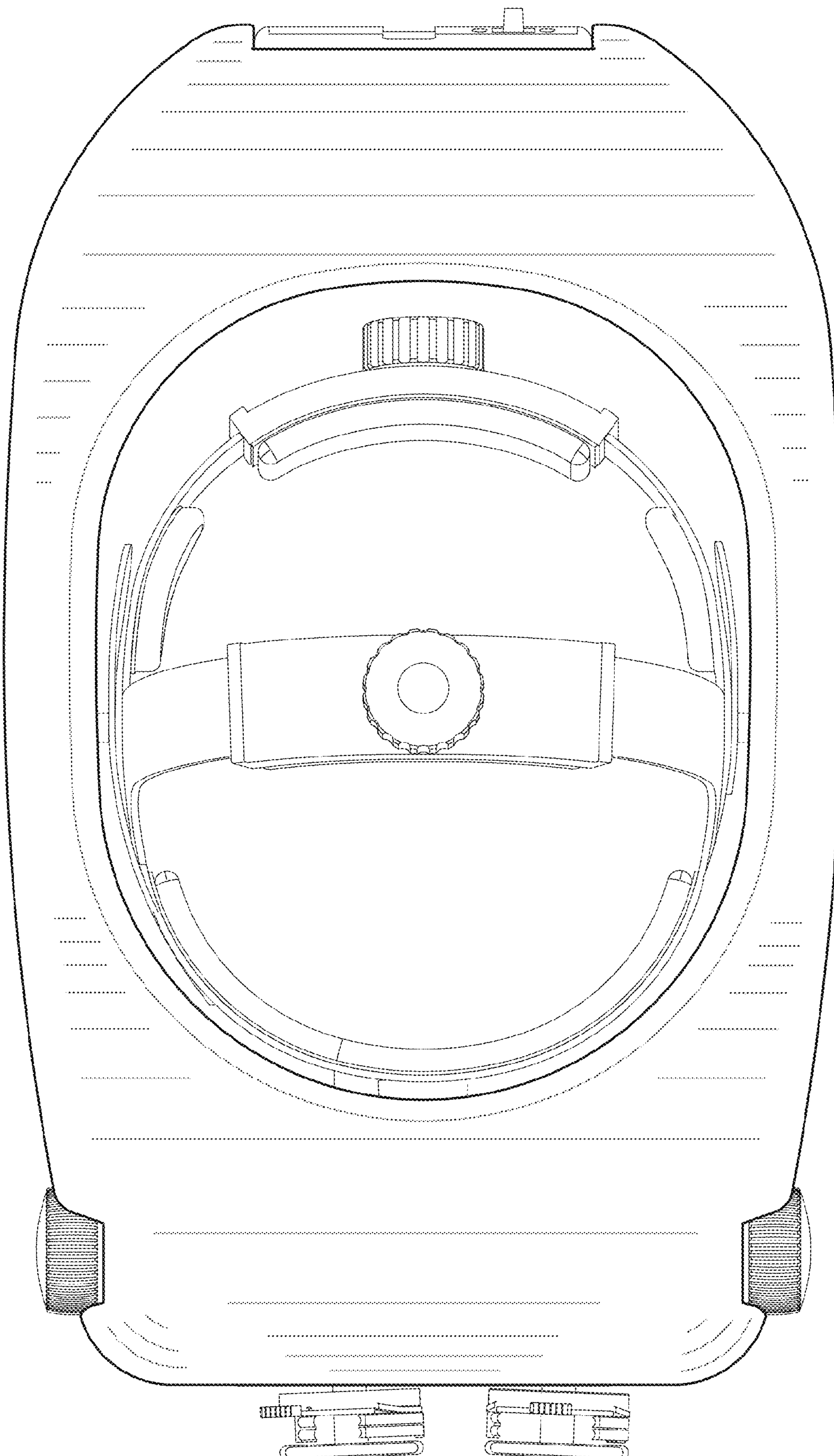


FIGURE 6

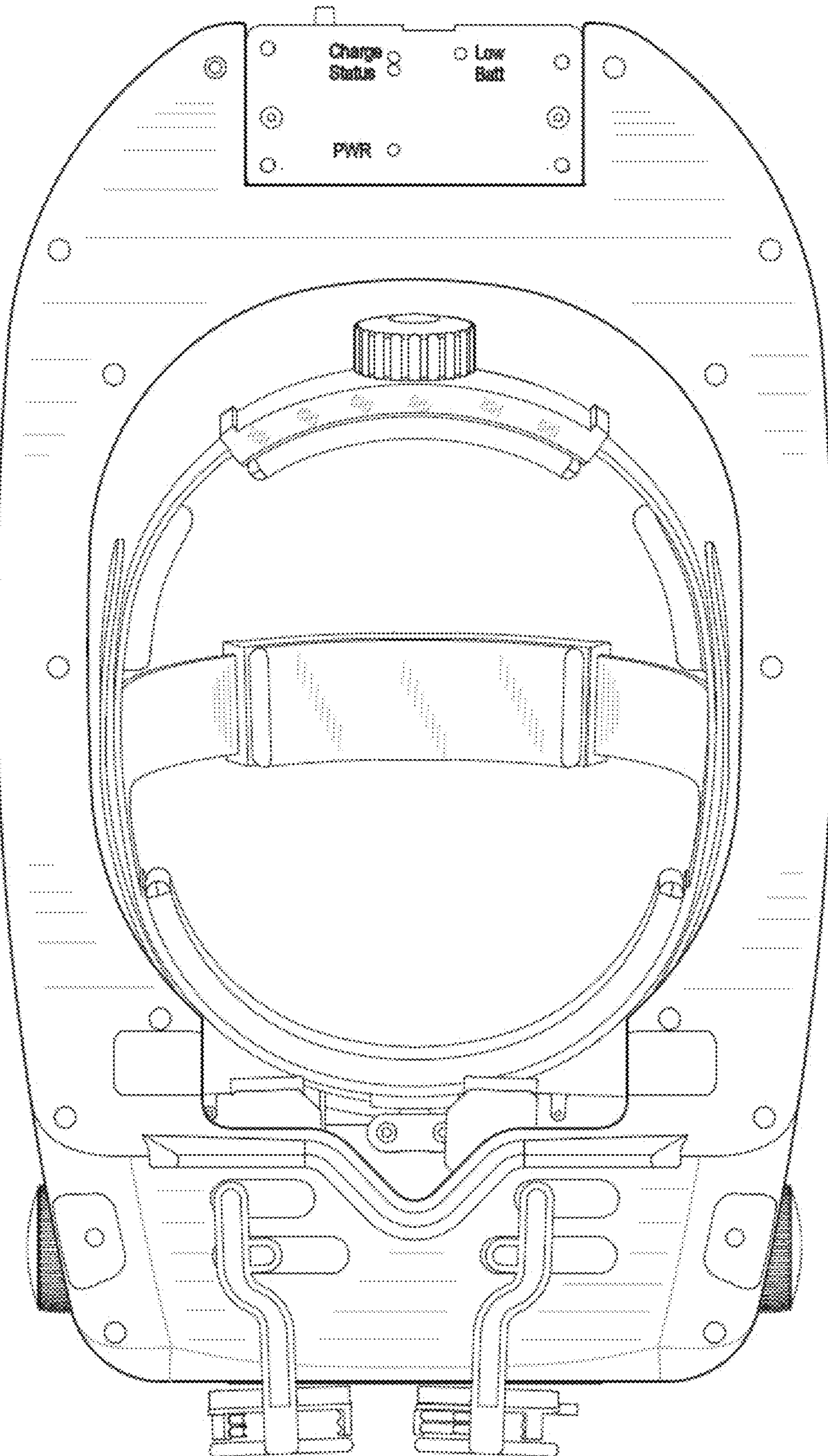


FIGURE 7