



US00D942448S

(12) **United States Design Patent**
Hamre et al.

(10) **Patent No.:** **US D942,448 S**

(45) **Date of Patent:** **** Feb. 1, 2022**

(54) **INTERNET OF THINGS HUB**

(71) Applicant: **ALOE CARE HEALTH, INC.**, New York, NY (US)

(72) Inventors: **Lasse Hamre**, Brooklyn, NY (US); **Raymond Eugene Spoljaric**, New York, NY (US); **Evan Samuel Schwartz**, Brooklyn, NY (US); **Ryan Christopher Haigh**, Jersey City, NJ (US); **Alexander Neville Sassoon**, New York, NY (US); **Samuel Stephen Holland**, Brooklyn, NY (US); **Vishnu Anantha**, Brooklyn, NY (US)

(73) Assignee: **Aloe Care Health, Inc.**, New York, NY (US)

(**) Term: **15 Years**

(21) Appl. No.: **29/717,115**

(22) Filed: **Dec. 15, 2019**

(51) **LOC (13) Cl.** **14-02**

(52) **U.S. Cl.**
USPC **D14/358**; D24/186

(58) **Field of Classification Search**
USPC D14/140, 140.1, 140.6, 348, 351, 356, D14/357, 358, 240, 242, 125, 129, 130, D14/142, 155, 167, 168, 172, 188, 195, D14/299, 496, 197, 198, 230.149, 150; D13/110, 123, 152, 158, 162, 162.1, 163, D13/184, 199, 108, 179; D10/104.1, D10/106.1, 106.6, 116.1, 61, 64, 75, D10/106.9, 106.95; D24/185, 186
CPC ... H04W 88/00; H04W 88/005; H04W 88/02; H04W 88/08; H04W 88/085; H04W 88/10; H04W 88/12; H04W 88/14; H04W 88/16; H04W 4/00; A61B 5/0002; A61B 5/0017; A61B 5/002; A61B 5/0024; A61B 2560/04; A61B 2560/0406

See application file for complete search history.

(56) **References Cited**

U.S. PATENT DOCUMENTS

D268,600 S *	4/1983	Lee	D21/324
D273,952 S *	5/1984	Stansbury, Jr.	D10/104.1
D308,521 S *	6/1990	Lonczak	D14/230
D325,582 S *	4/1992	Emmons	D14/218
D337,642 S *	7/1993	Yamasaki	D24/200
D368,721 S *	4/1996	Howell	D14/218
D375,909 S *	11/1996	Dziersk	D10/106.1
D378,578 S *	3/1997	Eberhardt	D10/104.1
D382,265 S *	8/1997	Bradley	D14/149
D391,943 S *	3/1998	Han	D14/356
D418,837 S *	1/2000	Ishii	D14/218
D426,533 S *	6/2000	Hughes	D14/149
D430,143 S *	8/2000	Renk	D14/218

(Continued)

Primary Examiner — Marie D. Fast Horse

(74) *Attorney, Agent, or Firm* — Fenwick & West LLP

(57) **CLAIM**

The ornamental design for an internet of things hub, as shown and described.

DESCRIPTION

FIG. 1 is a front and right perspective view of an internet of things hub;

FIG. 2 is a rear and left perspective view thereof;

FIG. 3 is a front view thereof;

FIG. 4 is a rear view thereof;

FIG. 5 is a left view thereof;

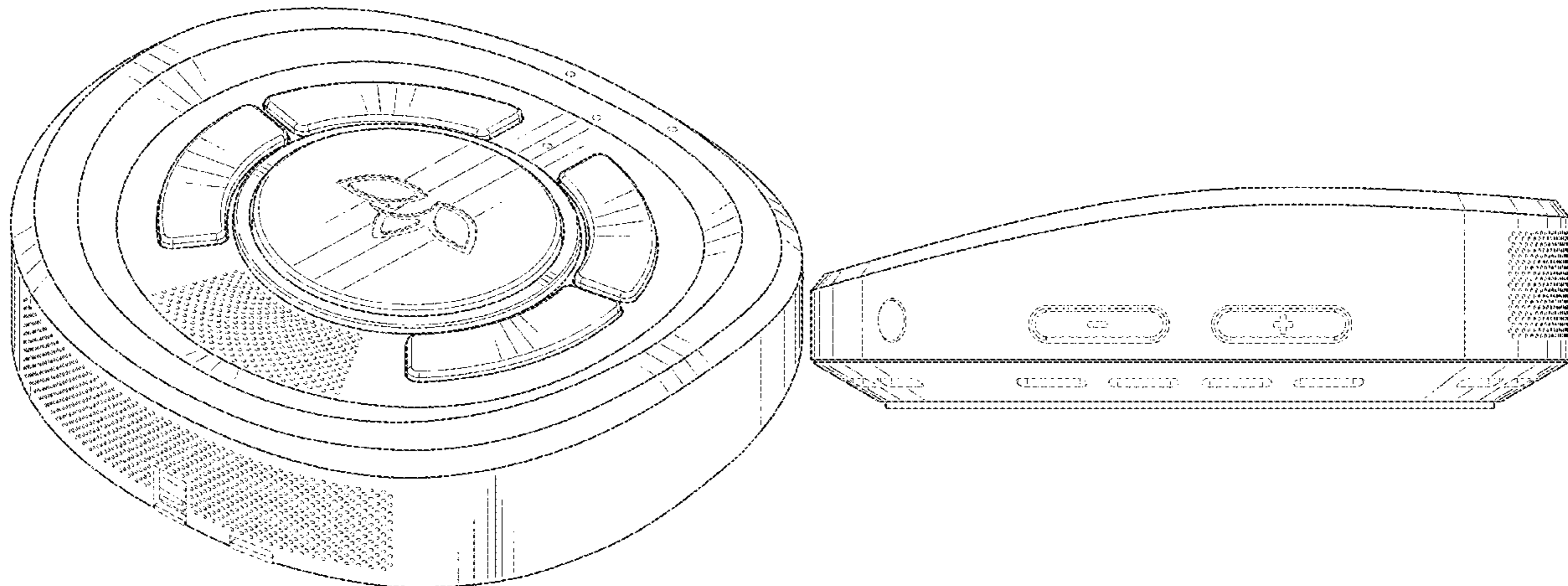
FIG. 6 is a right view thereof;

FIG. 7 is a top view thereof; and,

FIG. 8 is a bottom view thereof.

The broken lines in the drawings show portions of the internet of things hub that form no part of the claimed design. The partial circles on the top and rear of the hub are included for the purpose of illustrating environmental structure and form no part of the claimed design.

1 Claim, 8 Drawing Sheets



(56)

References Cited

U.S. PATENT DOCUMENTS

D442,570 S *	5/2001	Arjomand	D14/160	D738,858 S *	9/2015	Tuhkanen	D14/218
D448,365 S *	9/2001	Kerestegian	D14/240	D740,262 S *	10/2015	Hasegawa	D14/240
D458,249 S *	6/2002	Hayashi	D14/218	D751,538 S *	3/2016	Koehler	D14/240
D463,991 S *	10/2002	Curry	D10/104.1	D755,396 S *	5/2016	Rechberg	D24/186
D494,633 S *	8/2004	Nussberger	D21/324	D756,333 S *	5/2016	Smith	D14/218
D496,668 S *	9/2004	Huang	D14/203.6	D756,811 S *	5/2016	Xiao	D10/52
D512,437 S *	12/2005	Tierney	D14/203.6	D757,275 S *	5/2016	Lee	D24/187
D514,095 S *	1/2006	Wilson	D14/223	D757,691 S *	5/2016	Smith	D14/218
D516,082 S *	2/2006	Lewis	D14/203.6	D768,114 S *	10/2016	Hou	D14/218
D518,030 S *	3/2006	Lin	D14/218	D773,947 S *	12/2016	Scarcella	D10/104.1
D521,022 S *	5/2006	Chen	D14/203.6	D776,285 S *	1/2017	Dinger	D24/186
D524,295 S *	7/2006	Jacobson	D14/218	D780,150 S *	2/2017	Border	D14/150
D538,821 S *	3/2007	Bender	D14/203.6	D783,838 S *	4/2017	Zhao	D24/186
D539,304 S *	3/2007	Lee	D14/203.6	D784,438 S *	4/2017	Rondinelli	D16/242
D542,234 S *	5/2007	Shimizu	D13/168	D786,200 S *	5/2017	Lagerstedt	D13/168
D542,280 S *	5/2007	Taylor	D14/218	D796,355 S *	9/2017	Cho	D10/70
D557,248 S *	12/2007	Wada	D14/150	D796,682 S *	9/2017	Falk	D24/186
D560,219 S *	1/2008	Yamakawa	D14/385	D797,087 S *	9/2017	Burton	D14/242
D579,572 S *	10/2008	Wittenbrock	D24/209	D802,589 S *	11/2017	Fisher	D14/358
D594,851 S *	6/2009	Dai	D14/218	D802,779 S *	11/2017	Inoue	D24/200
D596,622 S *	7/2009	Lee	D14/218	D804,674 S *	12/2017	Im	D24/186
D601,564 S *	10/2009	Maeno	D14/400	D806,254 S *	12/2017	Im	D24/186
D602,915 S *	10/2009	Song	D14/218	D810,952 S *	2/2018	Hsu	D24/200
D607,347 S *	1/2010	Goh	D10/46	D812,577 S *	3/2018	Turksu	D13/168
D618,667 S *	6/2010	Chiu	D14/218	D824,034 S *	7/2018	Pushpala	D24/186
D627,306 S *	11/2010	Charleux	D13/168	D828,342 S *	9/2018	Chen	D14/240
D627,476 S *	11/2010	Gaw	D24/186	D829,714 S *	10/2018	Robinson	D14/356
D636,380 S *	4/2011	Valeur	D14/218	D836,568 S *	12/2018	Miller	D13/168
D637,306 S *	5/2011	Feuerabend	D24/215	D839,189 S *	1/2019	Miller	D13/108
D638,426 S *	5/2011	Ikeda	D14/358	D840,361 S *	2/2019	Gassner	D13/168
D643,412 S *	8/2011	Brady	D14/218	D855,193 S *	7/2019	Levi	D24/200
RE42,686 E *	9/2011	Shimizu	D13/168	D863,256 S *	10/2019	Lindof	D14/217
D659,765 S *	5/2012	Taniguchi	D21/333	D868,603 S *	12/2019	Yin	D10/53
D664,932 S *	8/2012	Sedic	D13/168	D870,896 S *	12/2019	Komaki	D24/186
D666,175 S *	8/2012	Yamada	D14/218	D875,570 S *	2/2020	Hernandez	D10/52
D677,646 S *	3/2013	Kellar	D14/149	D876,247 S *	2/2020	Hernandez	D10/52
D685,355 S *	7/2013	Holleman	D14/240	D876,248 S *	2/2020	Hernandez	D10/52
D685,773 S *	7/2013	Katarow	D14/240	D879,053 S *	3/2020	Yu	D13/168
D700,904 S *	3/2014	Miller	D14/218	D881,040 S *	4/2020	Hernandez	D10/52
D709,859 S *	7/2014	O'Brien	D14/188	D883,970 S *	5/2020	Wang	D14/242
D720,752 S *	1/2015	Bleeds	D14/420	D888,688 S *	6/2020	Xie	D14/216
D725,285 S *	3/2015	Wohlstadter	D24/216	D904,981 S *	12/2020	Worthy	D13/110
D726,156 S *	4/2015	Gillespie-Brown	D14/216	D912,030 S *	3/2021	Bould	D14/240
D731,996 S *	6/2015	Border	D14/150	D929,990 S *	9/2021	Maruyama	D14/358
D732,033 S *	6/2015	Sakaguchi	D14/388	2015/0112404 A1 *	4/2015	Holder	A61N 1/326
D732,672 S *	6/2015	Lewis, Jr.	D24/187				607/46
D738,376 S *	9/2015	Sakaguchi	D14/388	2015/0148864 A1 *	5/2015	Peterson	A61N 1/0504
							607/45
				2017/0209693 A1 *	7/2017	An	A61N 1/36034

* cited by examiner

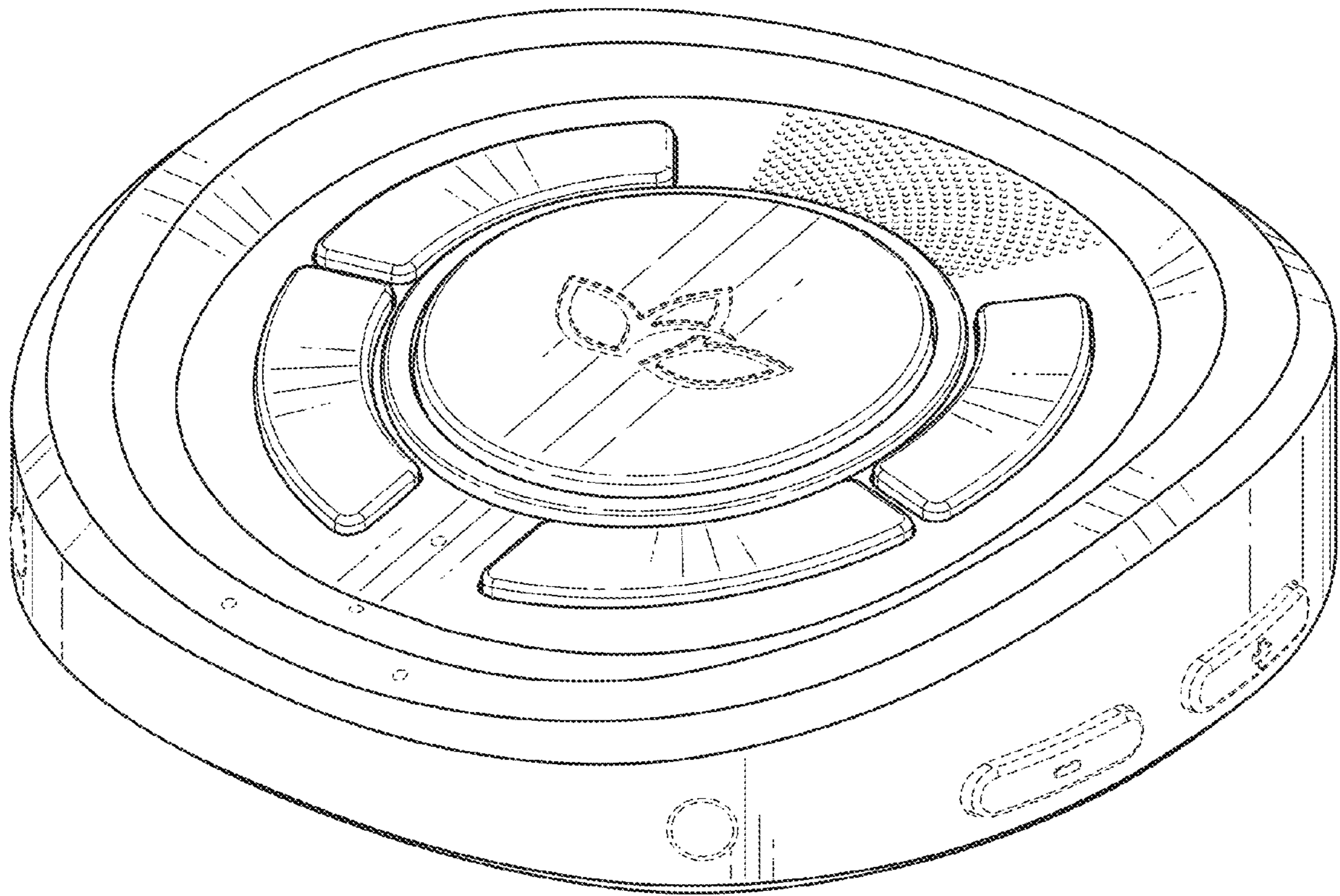


FIG. 1

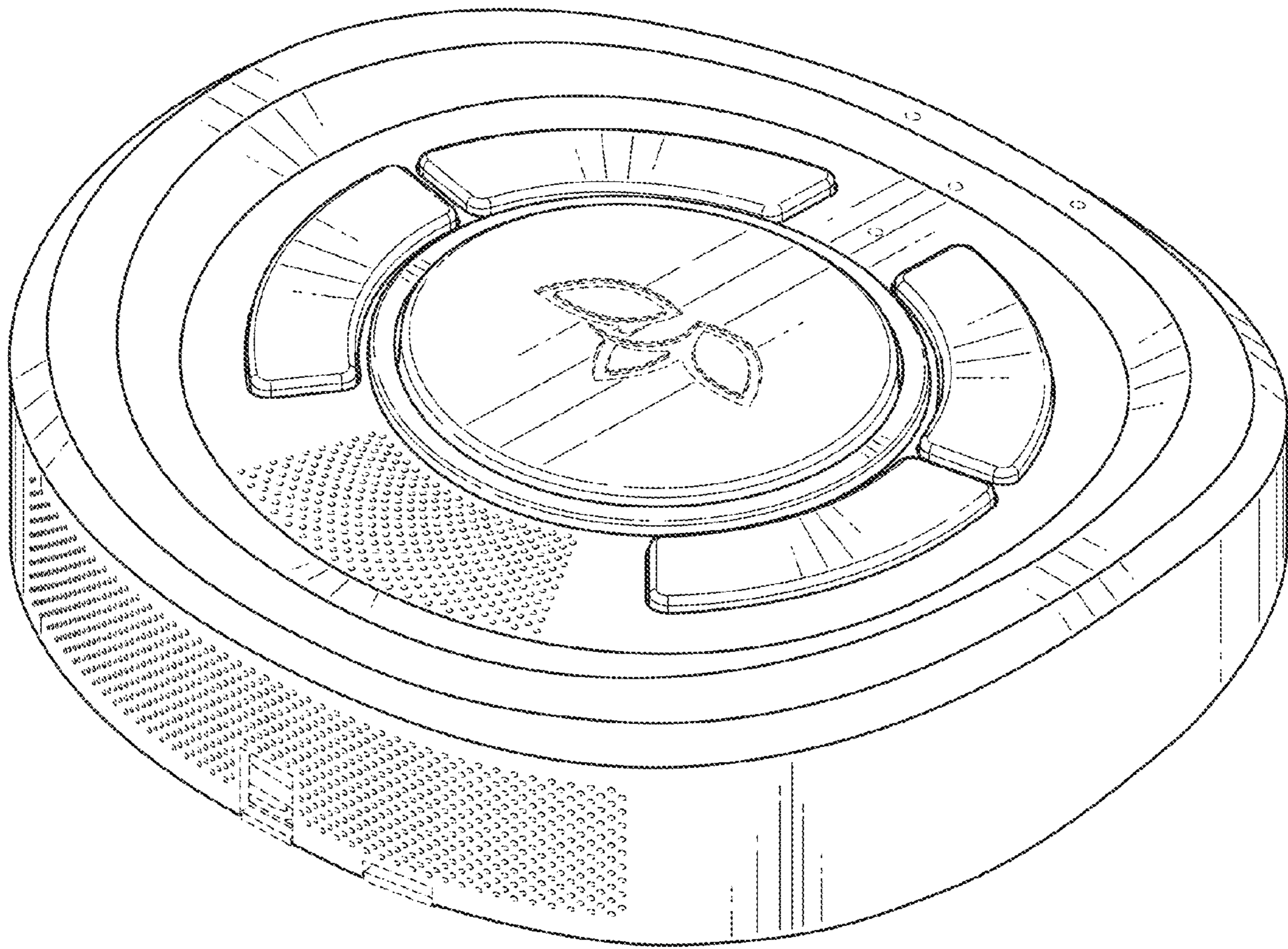


FIG. 2

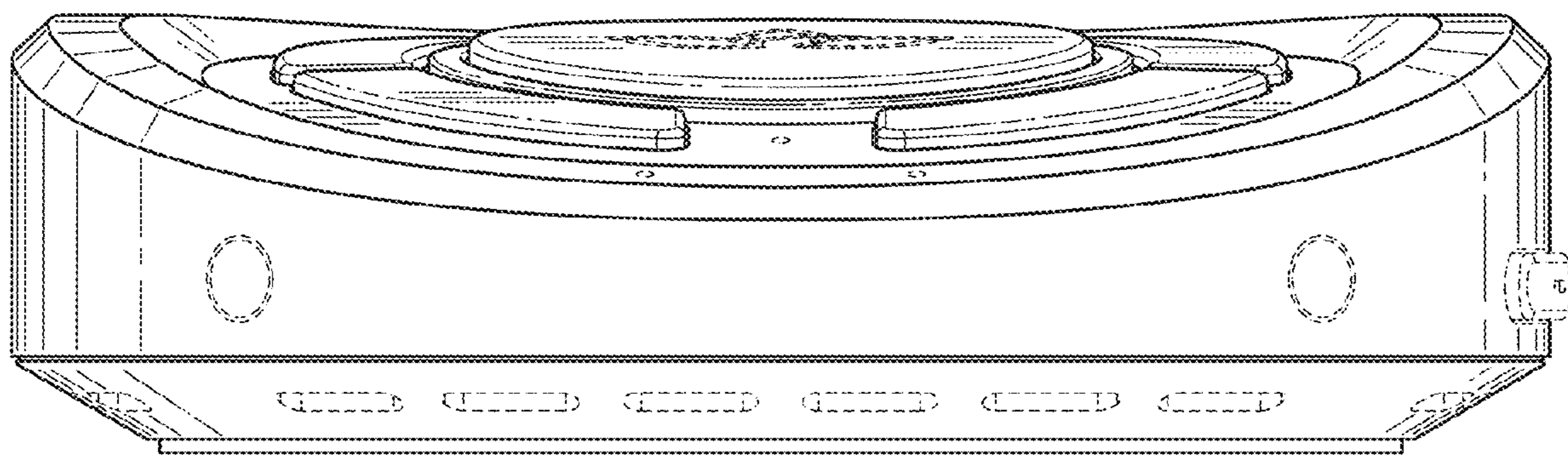


FIG. 3

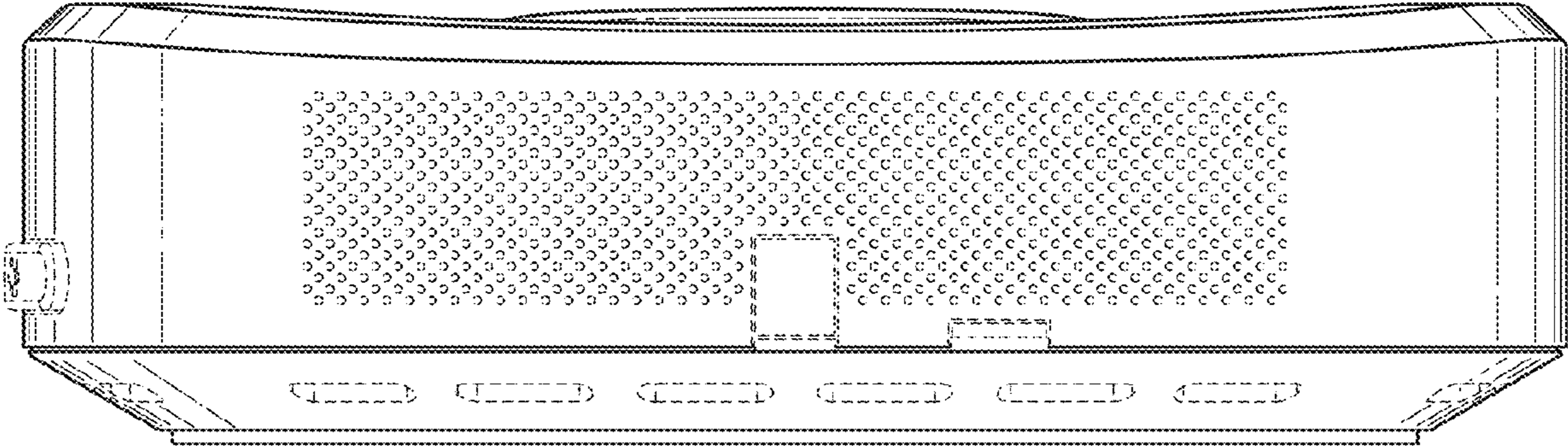


FIG. 4

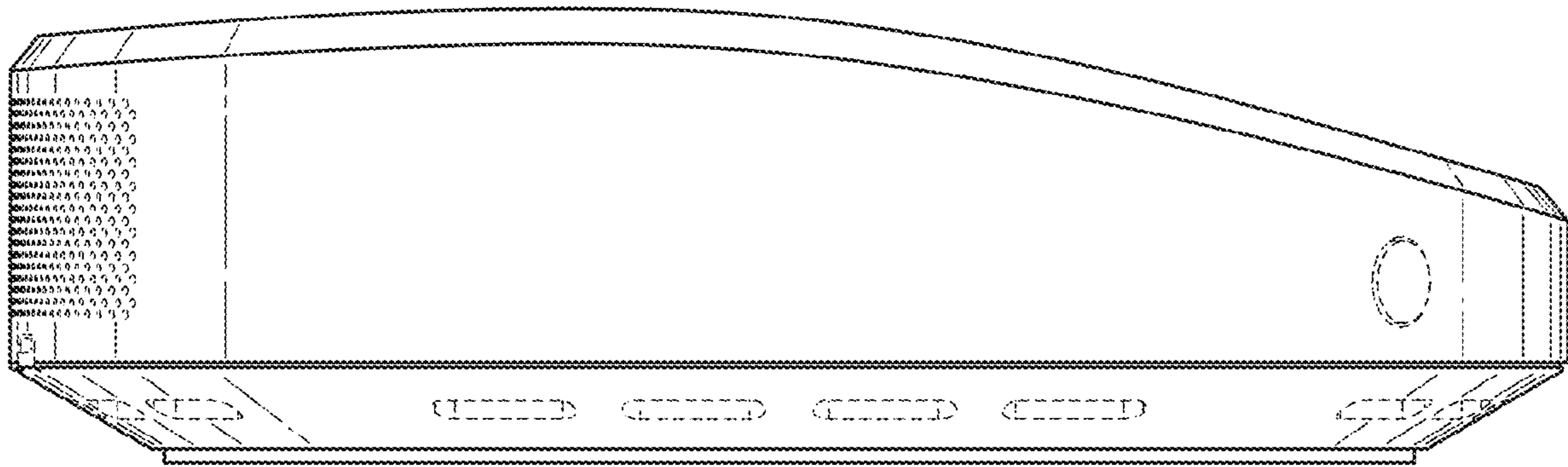


FIG. 5

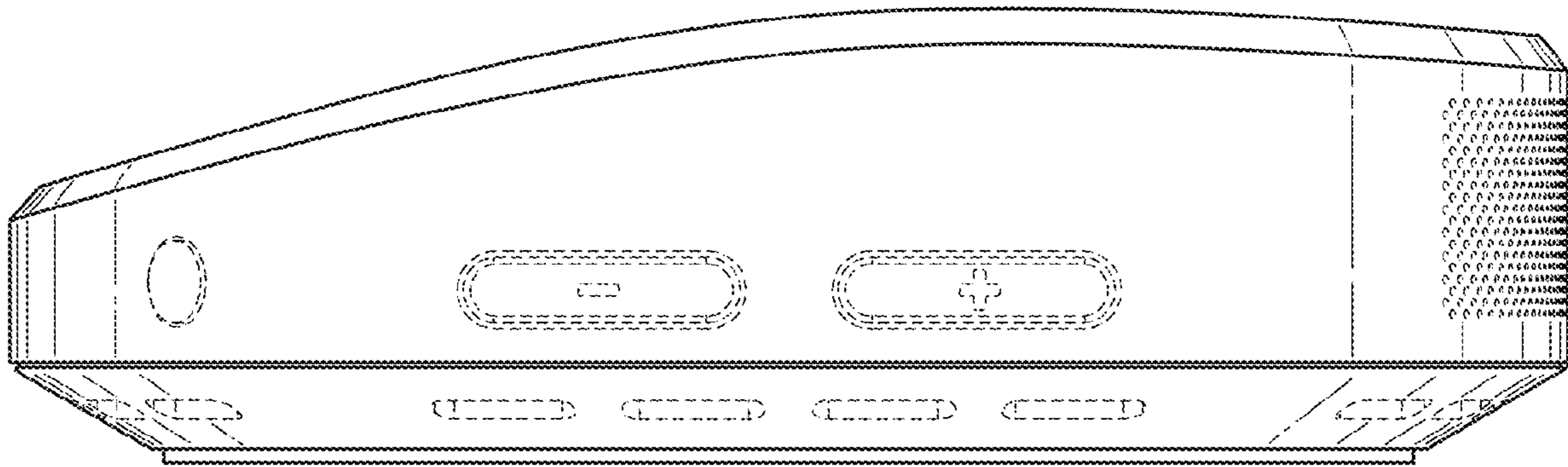


FIG. 6

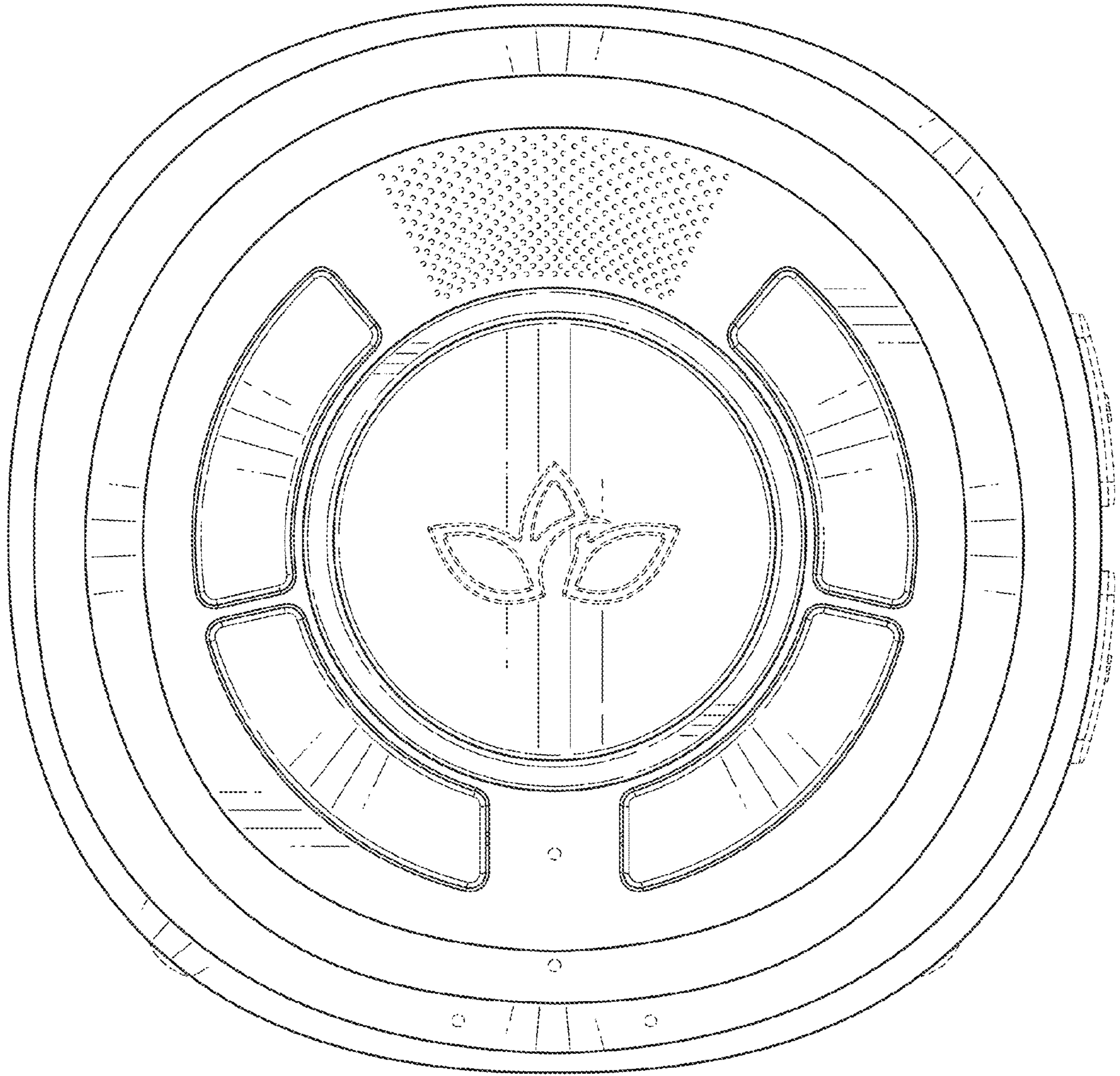


FIG. 7

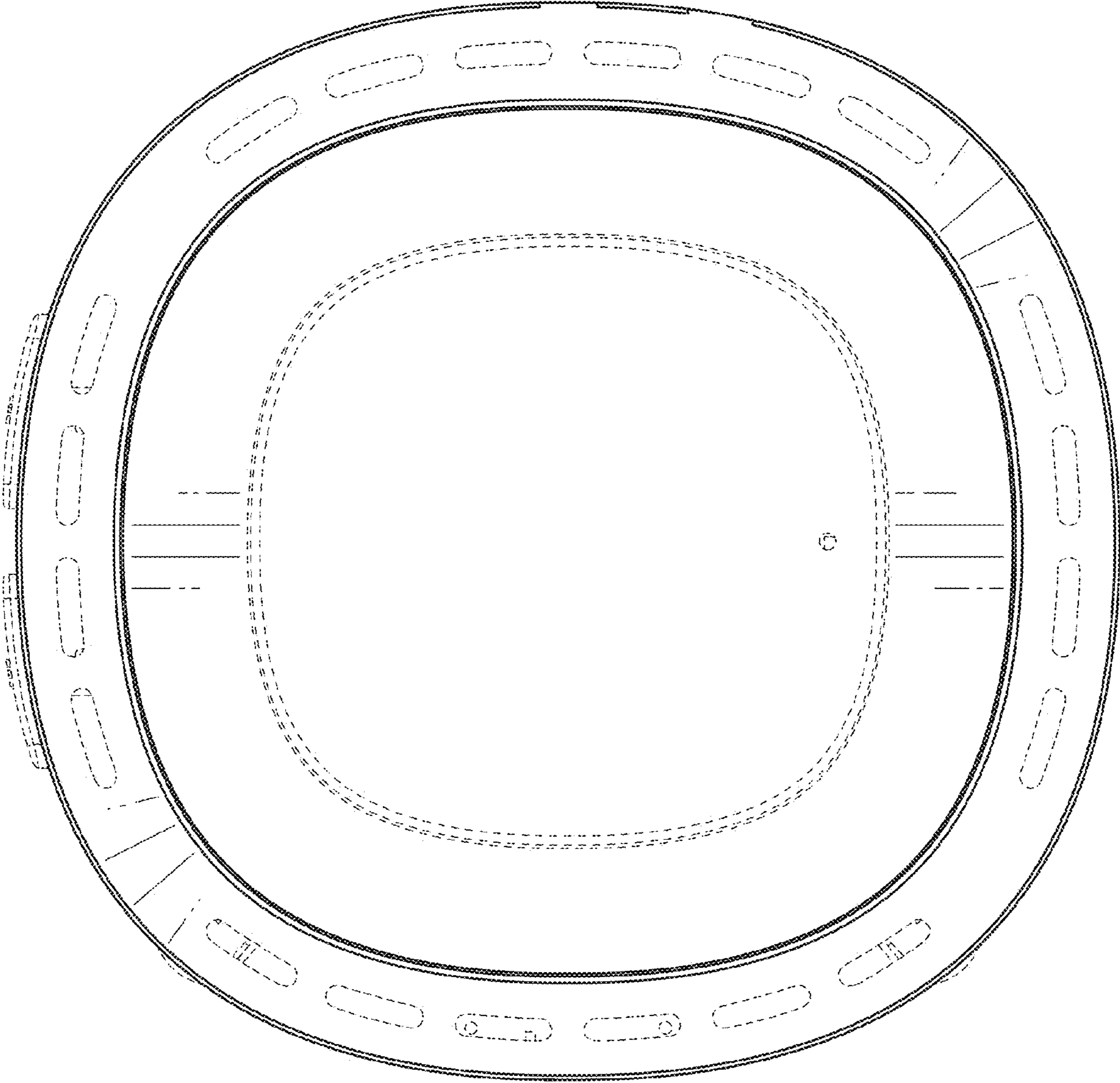


FIG. 8