



US00D942446S

(12) **United States Design Patent** (10) **Patent No.:** **US D942,446 S**
Little (45) **Date of Patent:** **** Feb. 1, 2022**

(54) **KEYBOARD WITH STAND** 5,209,452 A * 5/1993 Goldberg A47B 21/0371
248/118
(71) Applicant: **Hewlett-Packard Development** D355,647 S * 2/1995 Gresko D14/461
Company, L.P., Spring, TX (US) D357,910 S * 5/1995 Newhouse D14/461
(Continued)

(72) Inventor: **Joshua Glenn Little**, Mountain View,
CA (US)

(73) Assignee: **Hewlett-Packard Development**
Company, L.P., Spring, TX (US)

(**) Term: **15 Years**

(21) Appl. No.: **29/702,727**

(22) Filed: **Aug. 21, 2019**

(51) **LOC (13) Cl.** **14-02**

(52) **U.S. Cl.**
USPC **D14/331**

(58) **Field of Classification Search**
USPC D14/247, 315-327, 331-333, 338,
D14/345-347, 387, 390-401, 406, 429,
D14/455-457, 460-461, 447, 459, 203.8,
D14/209.1; D18/1-2, 4.1-4.6, 7, 11,
D18/12.2, 52; D21/324, 409; 341/22-23,
341/26; 345/168-173; 361/679.08,
361/679.09, 679.11, 679.14, 679.17,
361/679.26, 679.27, 786; 708/142-146;
235/8, 12, 15, 26-27, 145 A, 145 R, 146,
235/61 PE
CPC B41J 5/00; B41J 5/10; B41J 5/12; G06F
3/021; G06F 3/0216; G06F 3/0219; G06F
3/02

See application file for complete search history.

(56) **References Cited**

U.S. PATENT DOCUMENTS

D275,755 S * 10/1984 Cottrill D14/457
D285,270 S * 8/1986 Hannah D14/457
D325,200 S * 4/1992 Riley D14/396

FOREIGN PATENT DOCUMENTS

CN 306071569 * 9/2020
JP D1126588 * 11/2001
KR 00955390.0000 * 5/2018

OTHER PUBLICATIONS

FD IK6650 Multi-Platform Wireless Bluetooth Keyboard, iyoukesin,
amazon.com, published by iyoukesin, available on Feb. 21, 2019 ©
1996-2020 Amazon.com, online, site visited Dec. 14, 2020. Avail-
able from Internet, URL: <https://www.amazon.in/iyoukesin-Multi-Platform-Wireless-Bluetooth-Keyboard/dp> . . . (Year: 2019).*

(Continued)

Primary Examiner — Holly E Thurman
Assistant Examiner — Altaira J Swangin
(74) *Attorney, Agent, or Firm* — Austin Rapp

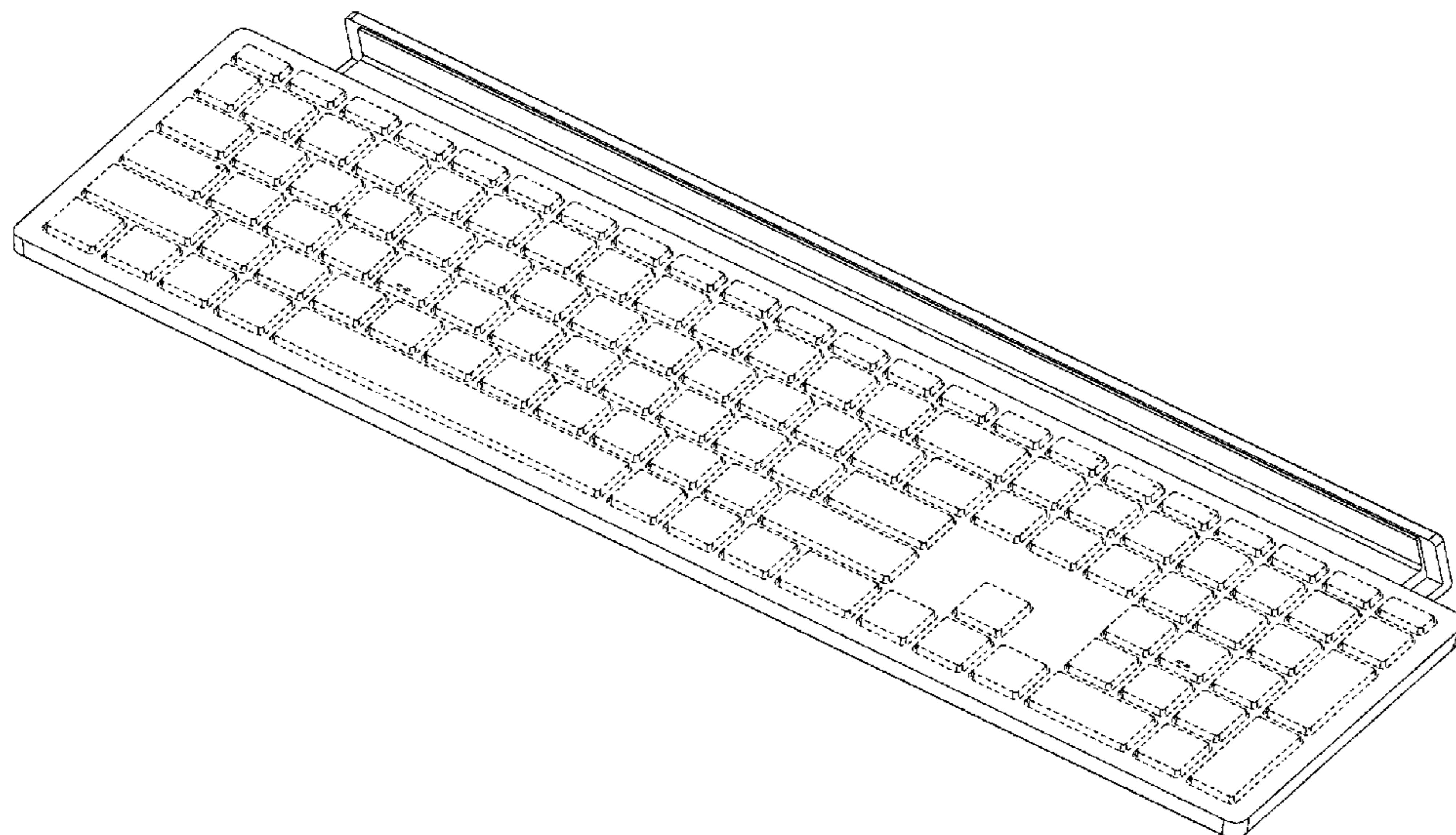
(57) **CLAIM**

The ornamental design for a keyboard with stand, as shown
and described.

DESCRIPTION

FIG. 1 is a front, right, top perspective view of the claimed
design;
FIG. 2 is a rear, right, top perspective view thereof;
FIG. 3 is a front elevational view thereof;
FIG. 4 is a rear elevational view thereof;
FIG. 5 is a top plan view thereof;
FIG. 6 is a bottom plan view thereof;
FIG. 7 is a left-side elevational view thereof; and,
FIG. 8 is a right-side elevational view thereof.
The broken lines shown in the drawings represent portions
of the keyboard with stand and form no part of the claimed
design.

1 Claim, 6 Drawing Sheets



(56)

References Cited

U.S. PATENT DOCUMENTS

D364,154 S * 11/1995 Knighton D14/461
 D365,334 S * 12/1995 Peart D14/422
 D372,903 S * 8/1996 Juster D14/459
 D386,754 S * 11/1997 Gifford D14/396
 D402,643 S * 12/1998 Grassel D14/457
 D408,388 S * 4/1999 Wiggins D14/457
 D413,875 S * 9/1999 Lawrence D14/461
 D421,976 S * 3/2000 Jobs D14/398
 D423,271 S * 4/2000 Brock D6/610
 D451,100 S * 11/2001 Brillhart D14/457
 D454,566 S * 3/2002 Andre D14/396
 D480,398 S * 10/2003 Lee D14/391
 D517,069 S * 3/2006 Chou D14/392
 D633,498 S * 3/2011 Andre D14/392
 D680,544 S * 4/2013 Akana D14/434
 D696,262 S * 12/2013 Groene D14/455
 8,947,871 B2 * 2/2015 Lin G06F 1/1618
 361/679.27
 D729,767 S * 5/2015 Lee D14/209.1
 D746,293 S * 12/2015 Park D14/455
 D752,592 S * 3/2016 Ozolins D14/434
 D772,885 S * 11/2016 Akana D14/455
 D773,474 S * 12/2016 Akana D14/455

D775,136 S * 12/2016 Min D14/455
 D801,094 S * 10/2017 Verna D6/705
 D822,025 S * 7/2018 Kim D14/392
 D833,452 S * 11/2018 Helwig D14/455
 D864,203 S * 10/2019 Zhang D14/392
 D927,488 S * 8/2021 Chan D14/392
 2002/0109960 A1 * 8/2002 Liu G06F 3/0224
 361/600
 2013/0249801 A1 * 9/2013 Paschke G06F 3/0213
 345/168

OTHER PUBLICATIONS

N1000 Bluetooth Wireless Keyboard/Stand, Naztech, cellularforless.com, author unlisted, published on Nov. 22, 2012 per wayback machine © 1996-2020 Amazon.com, online, site visited Dec. 14, 2020. Available from Internet, URL: <https://www.amazon.in/iyoukesin-Multi-Platform-Wireless-Bluetooth-Key...> (Year: 2012).
 Wireless Keyboard for HP Envy, HP, pcmag.com, published by Matthew Buzzzi on Mar. 5, 2020 per wayback machine © 1996-2021 Ziff Davis, LLC PCMAG Digital Group, online, site visited Apr. 19, 2020. Available from Internet, URL: <https://www.pcmag.com/reviews/hp-envy-32-all-in-one> (Year: 2020).*

* cited by examiner

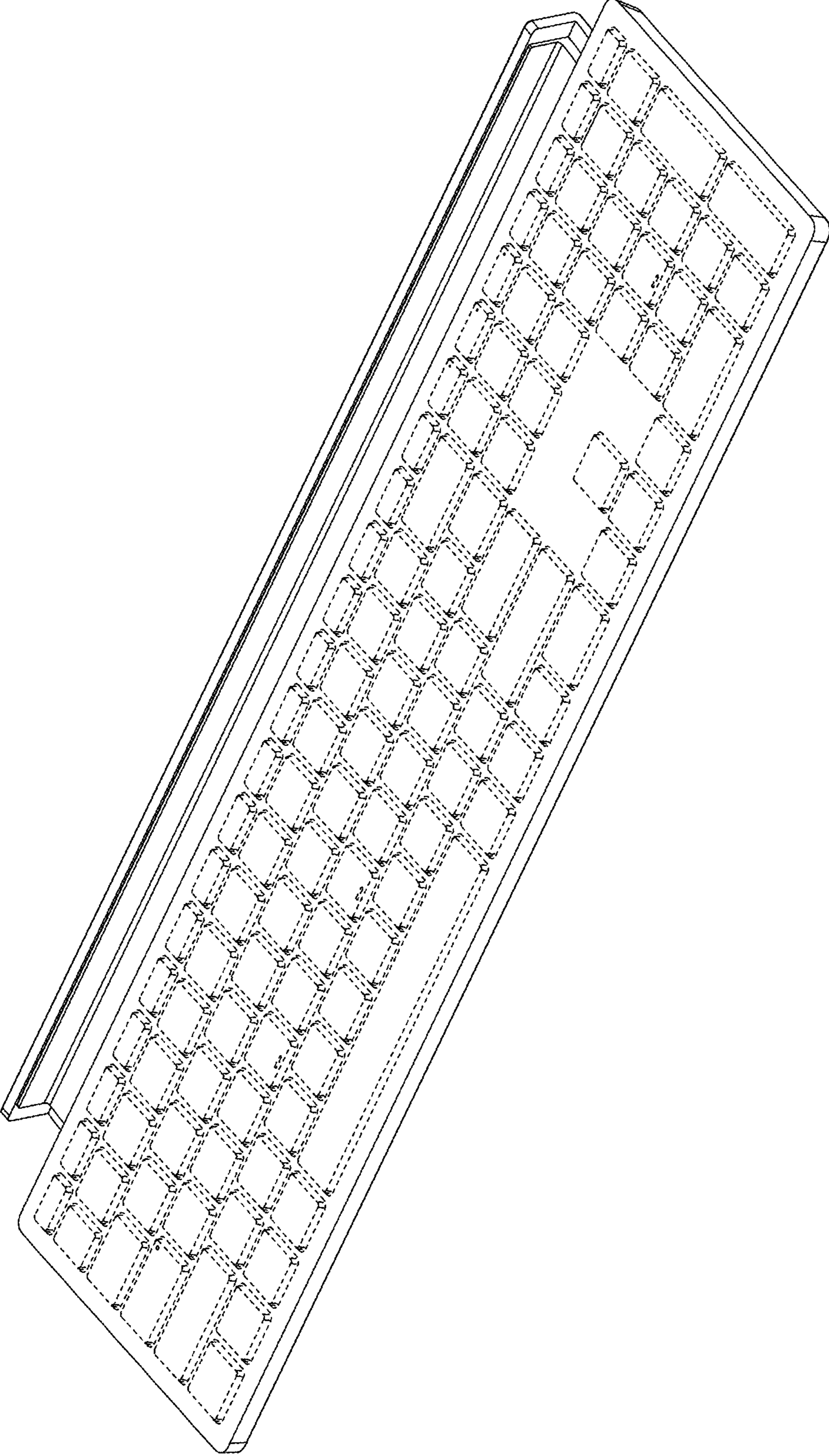


FIG. 1

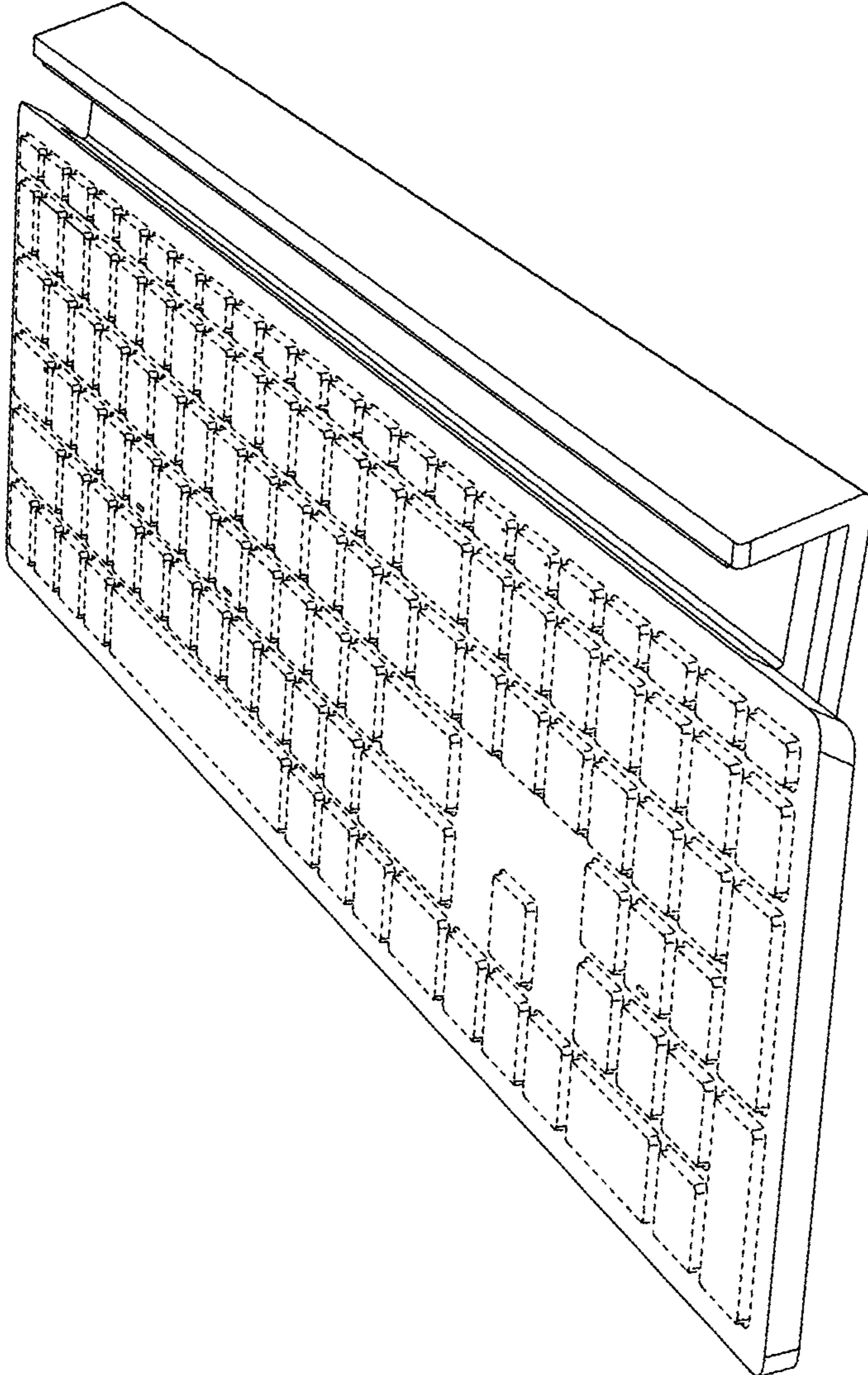


FIG. 2

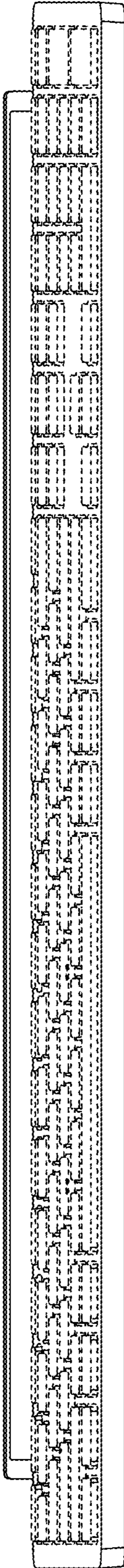


FIG. 3

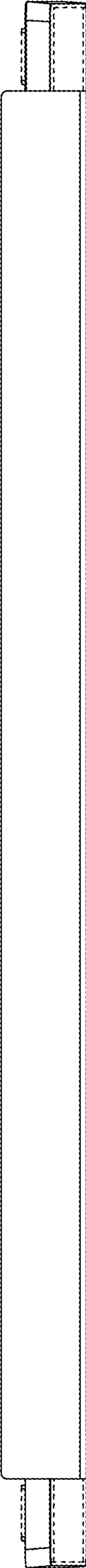


FIG. 4

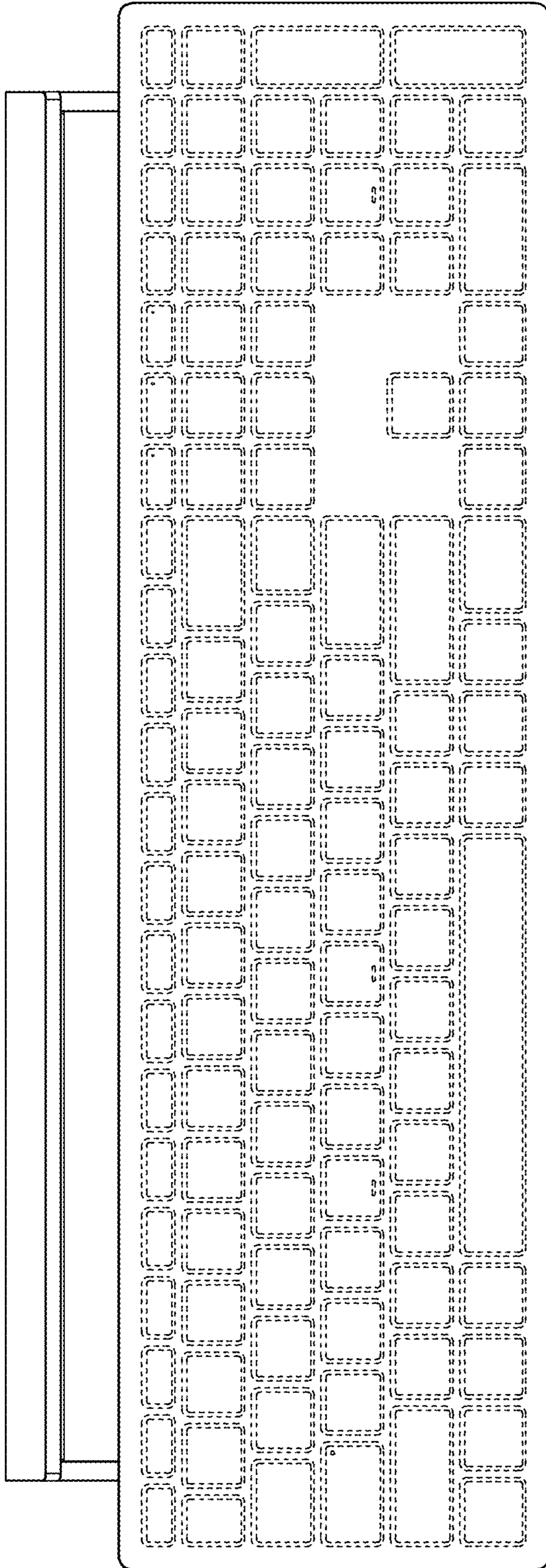


FIG. 5

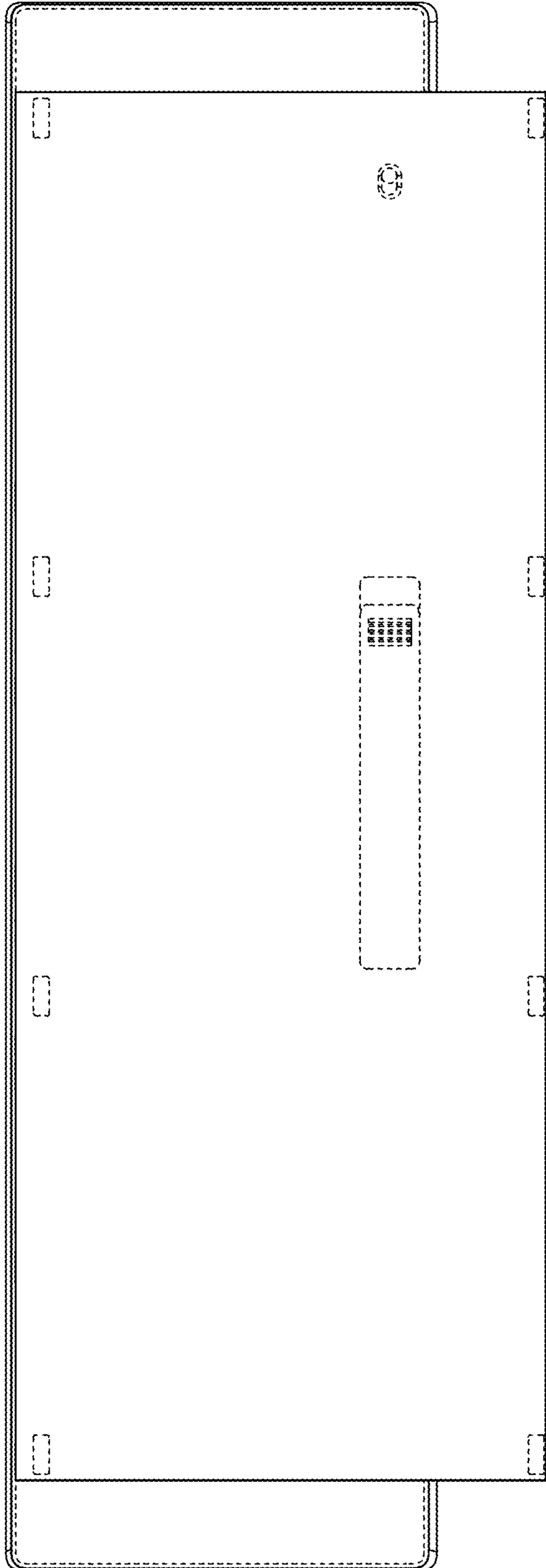


FIG. 6

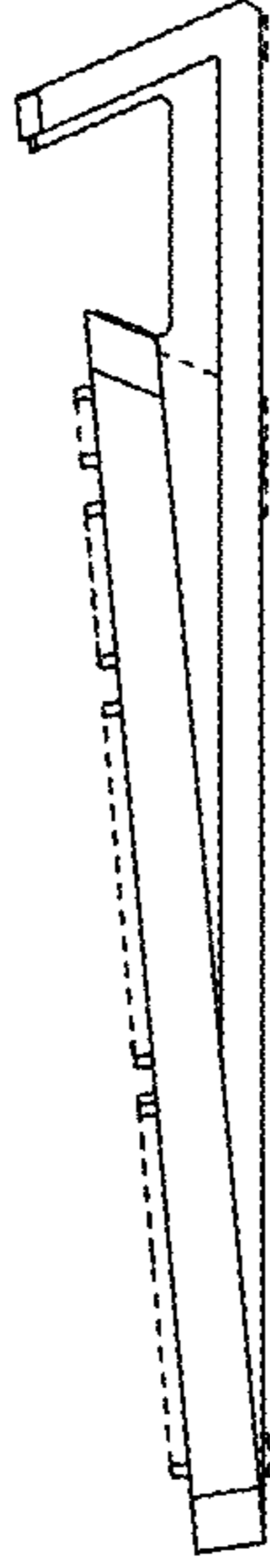


FIG. 7

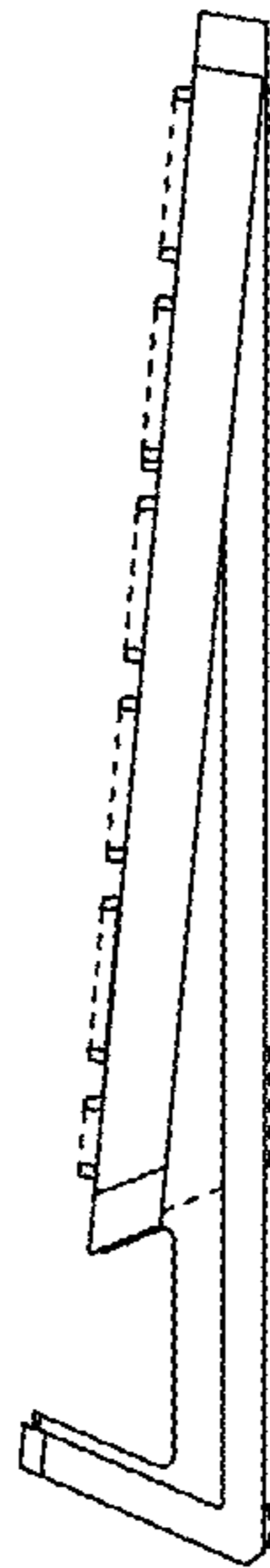


FIG. 8