



US00D942442S

(12) **United States Design Patent** (10) **Patent No.:** **US D942,442 S**
Dadhaniya et al. (45) **Date of Patent:** **** Feb. 1, 2022**

(54) **MULTIPLE HEAD TRANSACTION DEVICE**

(56) **References Cited**

(71) Applicant: **Capital One Services, LLC**, McLean, VA (US)

U.S. PATENT DOCUMENTS

(72) Inventors: **Janak Dadhaniya**, San Francisco, CA (US); **Steve Faletti**, Brooklyn, NY (US); **David Kelly Wurmfeld**, McLean, VA (US); **Lisa Whitsitt**, Millbrae, CA (US)

D293,844 S *	1/1988	Prinzhorn	902/30
D455,536 S *	4/2002	Lowe	D99/28
D702,914 S	4/2014	Budde et al.	
D725,647 S *	3/2015	Williams	D14/307
D732,015 S	6/2015	Alekhin	
D761,783 S *	7/2016	Kulkarni	D14/307
D762,635 S	8/2016	Szeredi et al.	
D781,843 S	3/2017	Horn, II	
D792,388 S	7/2017	Taylor et al.	
D800,715 S	10/2017	Kane et al.	
D805,065 S	12/2017	Taylor et al.	
D811,381 S	2/2018	Morohoshi et al.	
D854,538 S	7/2019	Szeredi et al.	
10,621,833 B1	4/2020	Dadhaniya et al.	
D888,047 S *	6/2020	van de Poll	D14/307
D897,336 S *	9/2020	Morris	D14/307
D900,088 S *	10/2020	Aughney	D14/307
D900,192 S *	10/2020	Redhead	D16/215
D903,655 S *	12/2020	Dadhaniya	D14/307
D903,656 S *	12/2020	Dadhaniya	D14/307
D925,516 S *	7/2021	Dadhaniya	D14/307

(73) Assignee: **Capital One Services, LLC**, McLean, VA (US)

(**) Term: **15 Years**

(21) Appl. No.: **29/788,664**

(22) Filed: **Jul. 13, 2021**

Related U.S. Application Data

(62) Division of application No. 29/652,759, filed on Nov. 13, 2020, now Pat. No. Des. 925,516, which is a division of application No. 29/690,304, filed on May 7, 2019, now Pat. No. Des. 903,656.

(51) **LOC (13) Cl.** **14-02**

(52) **U.S. Cl.**
USPC **D14/307**

(58) **Field of Classification Search**
USPC D14/302-307, 900-902; D13/163;
D20/10; D21/332, 325, 369, 370;
D99/28; D6/397, 466; 194/206;
361/679.01, 679.02, 679.04, 679.21,
361/679.57, 725
CPC G06Q 20/18; G06Q 20/10; G06Q 20/123;
G06Q 20/20; G06Q 30/02; G06Q 30/06;
A47F 9/047

See application file for complete search history.

(Continued)

FOREIGN PATENT DOCUMENTS

RU 106418 U1 7/2011

Primary Examiner — Austin Murphy

(74) *Attorney, Agent, or Firm* — Harrity & Harrity, LLP

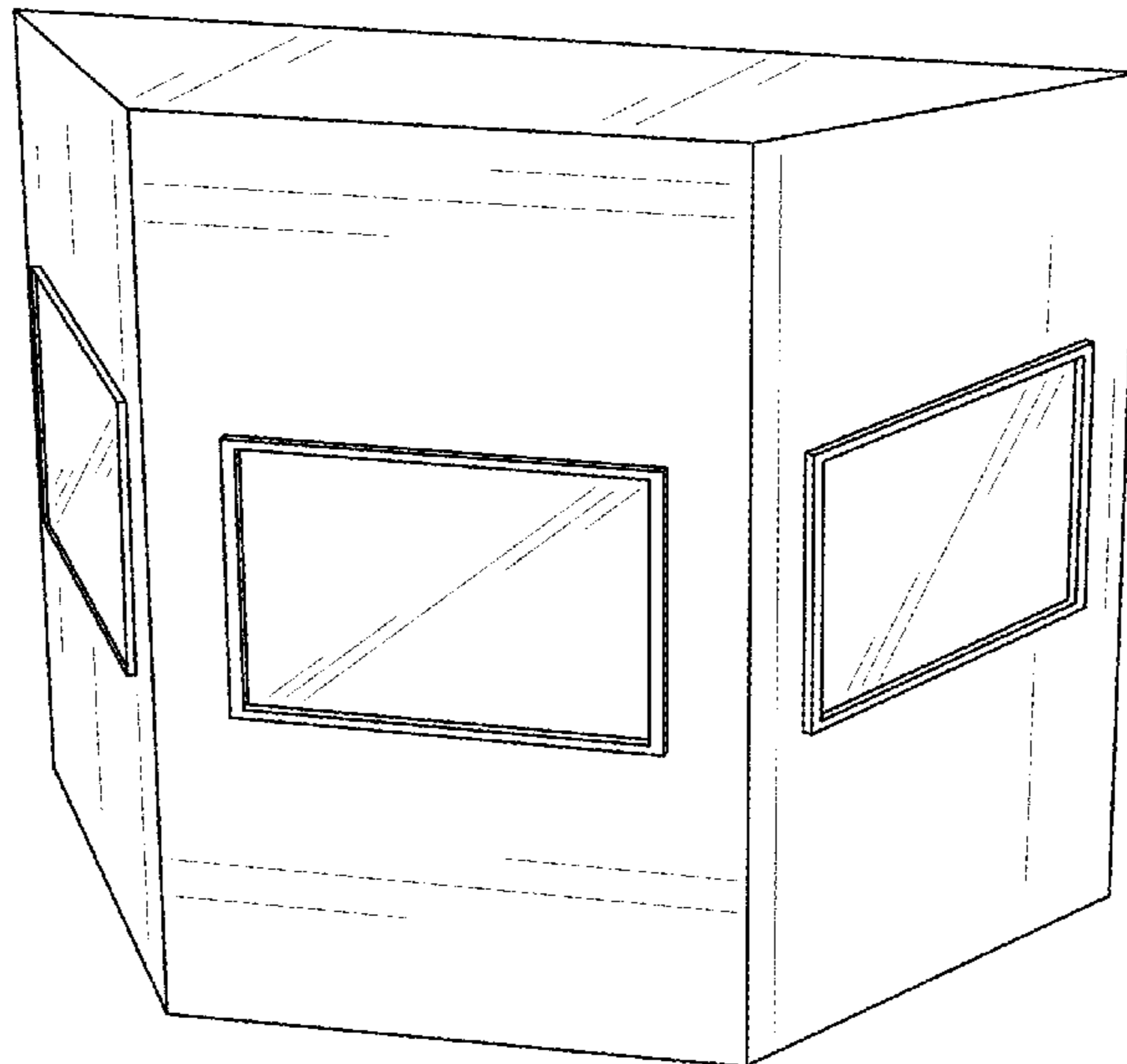
(57) **CLAIM**

The ornamental design for a multiple head transaction device, as shown and described.

DESCRIPTION

FIGURE is a perspective view of a multiple head transaction device showing our new design. The broken lines shown in the drawing are for illustrative purposes only and form no part of the claimed design. The shade lines in the FIGURE show contour and not surface ornamentation.

1 Claim, 1 Drawing Sheet



(56)

References Cited

U.S. PATENT DOCUMENTS

2008/0091601 A1 4/2008 Green et al.
2012/0029687 A1 2/2012 Hagen et al.
2016/0252893 A1 9/2016 Kamyshnikov

* cited by examiner

