



US00D942440S

(12) **United States Design Patent** (10) **Patent No.:** **US D942,440 S**
Chapuis et al. (45) **Date of Patent:** **** Feb. 1, 2022**

(54) **MOUNT FOR SECURING A PORTABLE DEVICE**
(71) Applicant: **OnQ Solutions, Inc.**, Hayward, CA (US)
(72) Inventors: **Paul F. Chapuis**, Woodside, CA (US); **Steven D. Penny**, Oakland, CA (US); **William B. Tenney**, Pleasanton, CA (US)

D402,666 S * 12/1998 Golder D14/253
D407,408 S * 3/1999 Hoff D14/253
6,700,488 B1 3/2004 Leyden et al.
7,187,283 B2 3/2007 Leyden et al.
D560,068 S * 1/2008 Dixon A45F 5/02
D3/218
D592,188 S * 5/2009 Huang D14/217
D640,707 S * 6/2011 Yeh D14/447
D641,610 S * 7/2011 Sedalo D8/354
D645,047 S * 9/2011 Wike D14/447

(Continued)

(73) Assignee: **ONQ SOLUTIONS, INC.**, Hayward, CA (US)

(**) Term: **15 Years**

(21) Appl. No.: **29/725,303**

(22) Filed: **Feb. 24, 2020**

(51) **LOC (13) Cl.** **14-99**

(52) **U.S. Cl.**
USPC **D14/253**; D14/447; D6/682

(58) **Field of Classification Search**
USPC D14/251–253, 224, 224.1, 432–434, 447, D14/451, 452; D12/415, 426.1, 114, 223; D16/242, 244, 245; D10/74; D3/218; D13/108; D6/682, 677, 682.3
CPC B60R 11/00; B60R 11/02; B60R 11/0241; B60R 11/0252; B60R 2011/0003; B60R 2011/0005; B60R 2011/0008; H04M 1/04; H04B 1/3877; A45F 2200/0516; A45F 2200/0525; H05K 5/02; H05K 5/0204; H05K 7/00; F16M 13/02; F16M 13/022; F16M 11/00; F16M 11/04; F16M 11/041; F16M 11/06; G08B 13/14; G08B 13/1445

See application file for complete search history.

(56) **References Cited**

U.S. PATENT DOCUMENTS

D244,857 S * 6/1977 Hayes D24/166
D314,501 S * 2/1991 Pagano 248/183.1

OTHER PUBLICATIONS

“OnQ Can Now Build and Ship . . .,” OnQ Dfi On-Demand security brackets pictured therein [online]. Posted on Sep. 16, 2020. [Retrieved from the Internet Jun. 3, 2021.] <URL: <https://www.onqsolutions.com/onq-can-now-build-and-ship-retail-security-brackets-for-any-apple-phone-tablet-or-watch-on-day-of-launch/>>.*

(Continued)

Primary Examiner — Rebekah A Caruso

(74) *Attorney, Agent, or Firm* — Vierra Magen Marcus LLP

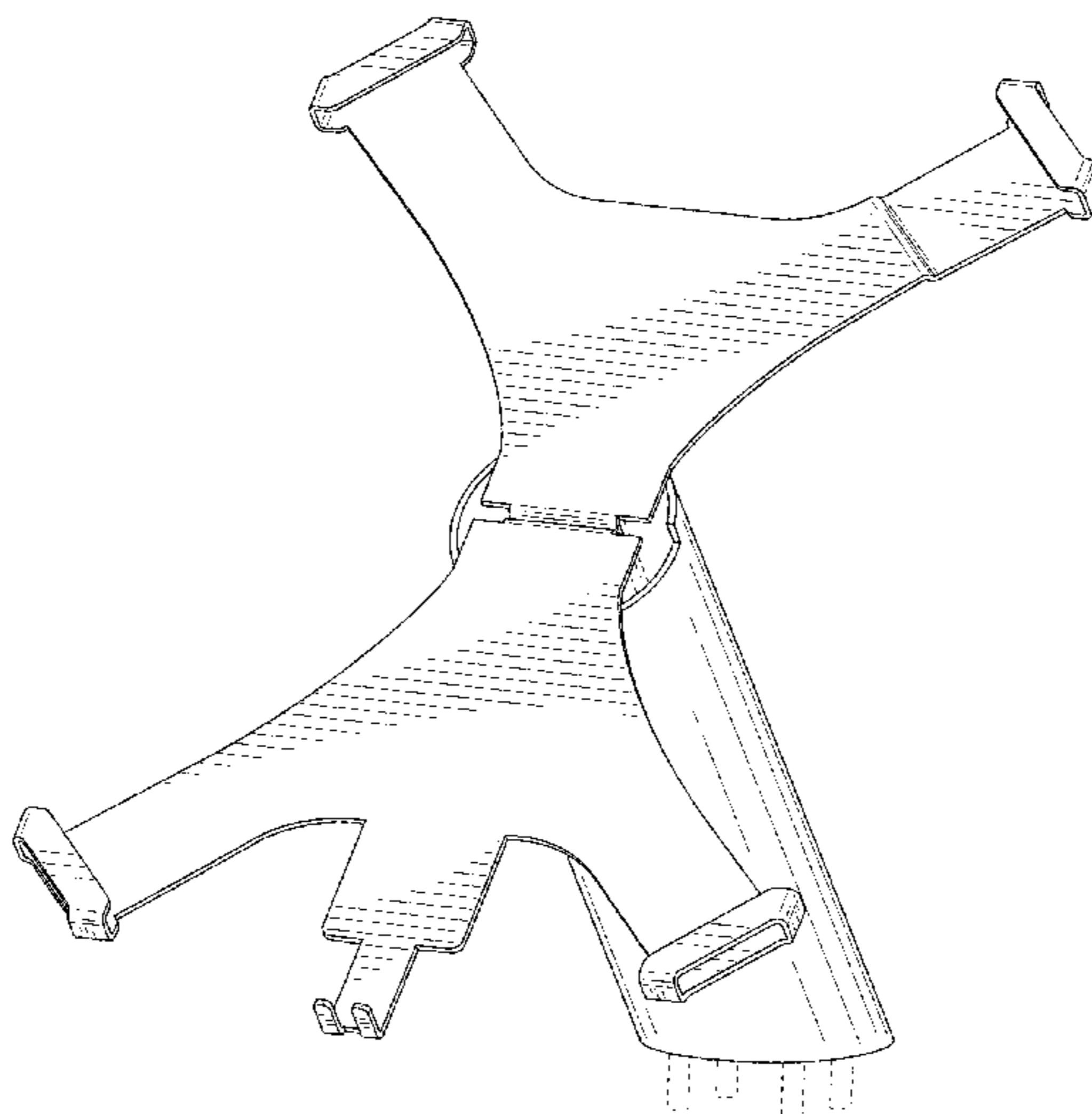
(57) **CLAIM**

The ornamental design for a mount for securing a portable device, as shown and described.

DESCRIPTION

FIG. 1 is a front perspective view a mount for securing a portable device;
FIG. 2 is a rear perspective view thereof;
FIG. 3 is a front elevational view thereof;
FIG. 4 is a rear elevational view thereof;
FIG. 5 is a bottom plan view thereof;
FIG. 6 is a top plan view thereof;
FIG. 7 is a right elevational view thereof; and,
FIG. 8 is a left elevational view thereof.
The broken lines in FIGS. 1-5 and 7-8 represent unclaimed portions of the claimed design and form no part of the claimed design.

1 Claim, 8 Drawing Sheets



(56)

References Cited

U.S. PATENT DOCUMENTS

8,191,851 B2 6/2012 Crown
D663,972 S * 7/2012 Alexander D6/682
D666,205 S * 8/2012 Li D14/452
D669,481 S * 10/2012 Prescott D14/447
D673,960 S * 1/2013 Lindfield D14/447
8,360,373 B2 1/2013 Johnson et al.
D679,693 S * 4/2013 Rashid D14/250
D680,523 S * 4/2013 Tu D14/253
8,701,452 B2 4/2014 Foster et al.
8,814,128 B2 8/2014 Trinh et al.
8,864,089 B2 10/2014 Hung
8,925,886 B2 1/2015 Sears
8,985,544 B1 3/2015 Gulick, Jr.
8,998,048 B1 4/2015 Wu
D728,575 S * 5/2015 David D14/434
D728,576 S * 5/2015 David D14/434
9,022,337 B2 5/2015 Petruskavich
9,039,785 B2 5/2015 Gulick, Jr.
9,097,380 B2 8/2015 Wheeler
9,159,309 B2 10/2015 Liu et al.
9,161,466 B2 10/2015 Huang
9,285,832 B2 3/2016 Galant
D756,152 S * 5/2016 Schwalbach D6/677.4
D773,465 S * 12/2016 Palmer D14/434
9,567,776 B2 * 2/2017 Mook E05B 73/0082
9,568,141 B1 2/2017 Zaloom
D792,133 S * 7/2017 Schwalbach D6/682.3
9,714,528 B2 7/2017 Van Balen
9,936,823 B2 4/2018 Galant
9,972,178 B2 * 5/2018 Richardson G06Q 30/0185
D831,640 S * 10/2018 Tivnon D14/314
10,165,873 B2 1/2019 Gulick, Jr. et al.
D841,373 S * 2/2019 Akana D6/677
10,206,522 B2 * 2/2019 Yang A47F 7/0246
10,448,759 B1 * 10/2019 Chapuis A47F 5/16
D879,519 S * 3/2020 Schwalbach D6/682.3
10,750,885 B2 * 8/2020 Hyma E05B 73/0082
D912,663 S * 3/2021 Cebe D14/336
D920,984 S * 6/2021 Howarth D14/447
D927,498 S * 8/2021 Wang D14/447
2008/0110946 A1 * 5/2008 Dixon B60R 11/0241
224/197
2010/0079285 A1 4/2010 Fawcett et al.
2010/0108828 A1 5/2010 Yu et al.
2010/0148030 A1 6/2010 Lin
2012/0037783 A1 * 2/2012 Alexander A47F 7/024
248/551
2012/0234055 A1 9/2012 Bland, III et al.
2013/0134287 A1 * 5/2013 Gresset G08B 13/1463
248/551
2013/0175426 A1 * 7/2013 Harjani F16M 11/10
248/688
2013/0301216 A1 11/2013 Trinh et al.
2013/0318639 A1 11/2013 Gulick, Jr.
2014/0060218 A1 3/2014 Bisesti et al.
2014/0106608 A1 * 4/2014 Howarth A47F 7/0246
439/531
2014/0131251 A1 * 5/2014 Westrup A45C 13/02
206/756

2014/0226298 A1 * 8/2014 Palmer H05K 5/0208
361/807
2015/0089675 A1 3/2015 Gulick, Jr.
2015/0108948 A1 4/2015 Gulick, Jr. et al.
2015/0196140 A1 7/2015 Lin
2015/0300050 A1 10/2015 Van Balen
2017/0049251 A1 2/2017 Gulick, Jr. et al.
2017/0188724 A1 7/2017 Lin
2018/0058107 A1 3/2018 Lucas et al.
2020/0141159 A1 * 5/2020 Berglund E05B 65/00
2021/0018137 A1 * 1/2021 Chapuis F16M 13/02
2021/0270410 A1 * 9/2021 Horvath F16M 11/041

OTHER PUBLICATIONS

“OnQ’s Retail Security Brackets for iPhone 12 Available Now,”
OnQ Dfi On-Demand security brackets pictured therein [online].
Posted on Oct. 14, 2020. [Retrieved from the Internet Jun. 3, 2021.]
<URL: <https://www.onqsolutions.com/deliver-a-cleaner-safer-shopping-experience/> >.*
Design U.S. Appl. No. 29/725,301, filed Feb. 24, 2020.
Gripzo, “iPad Enclosure”, <https://www.gripzo.com/en/products/tablets/ipad-enclosure>, downloaded on Jun. 11, 2018.
Gripzo, “iPhone”, <https://www.gripzo.com/en/products/smartphones/iphone>, downloaded on Jun. 11, 2018.
Scorpion Security Products, “4-Point ERS Phone Scorpion”, <https://www.scorpionsecurityproducts.com/product/4-point-ers-phone-scorpion/>, downloaded on Jun. 11, 2018.
Scorpion Security Products, “4-Point ERS Small Tablet Scorpion”, <https://www.scorpionsecurityproducts.com/product/4-point-ers-small-tablet-scorpion/>, downloaded on Jun. 11, 2018.
Dongguan Comer Electronic Technology Co., Ltd., “Comer Anti-Theft Locking Laptop Mechanical Security Display Frame For Mobile Phone Stores”, <http://www.comerdisplay.com/sale-8024631-comer-anti-theft-locking-laptop-mechanical-security-display-frame-for-mobile-phone-stores.html>, downloaded on Jun. 11, 2018.
Dongguan Comer Electronic Technology Co., Ltd., “Comer Universal Display Mechanical Anti-Theft Security Display Locking System For Tablet Brackets”, <http://www.smartcomer.com/sale-8028445-comer-universal-display-mechanical-anti-theft-security-display-locking-system-for-tablet-brackets.html>, downloaded on Jun. 11, 2018.
RTF, “Vise—Securely and Attractively Placing Your Product First”, <http://www.rtfglobal.com/products/vise-cell-phone-security/>, downloaded on Jun. 11, 2018.
RTF, “Smartphones—Samsung Note 3, LG Flex, HTC One, Apple iPhone 5, Blackberry Z10”, <http://www.rtfglobal.com/solutions/by-devices-type/smartphones/#!/prettyPhoto>, downloaded on Jun. 11, 2018.
Gripzo, “Universal Smartphone Grip/ Universal Tablet Grip”, <https://www.gripzo.com/en/products/smartphones/phone>, downloaded on Jun. 14, 2018.
U.S. Appl. No. 16/572,283, filed Sep. 16, 2019.
Notice of Allowance dated Jun. 17, 2021, Design U.S. Appl. No. 29/725,301, filed Feb. 24, 2020.

* cited by examiner

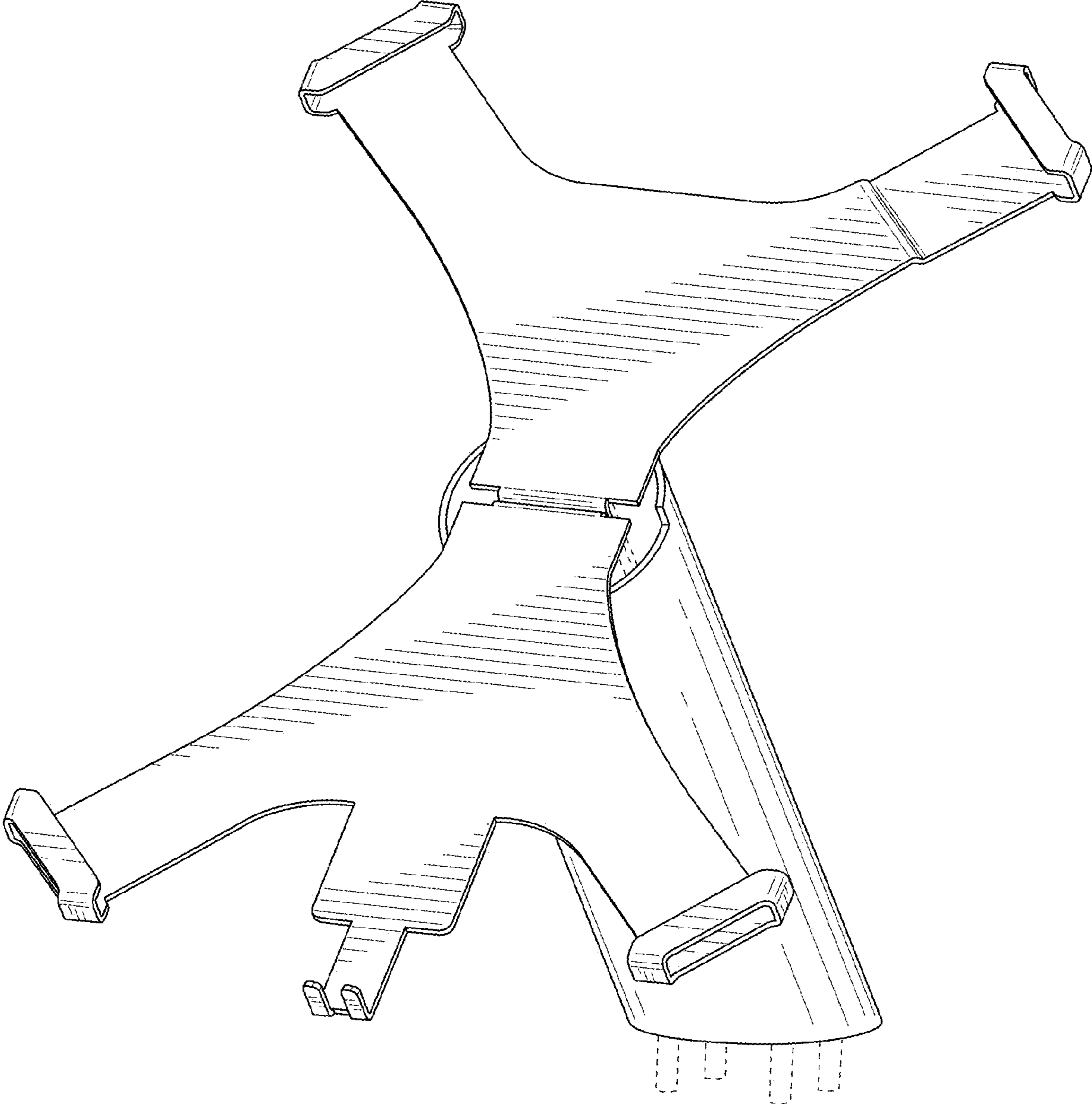


FIG. 1

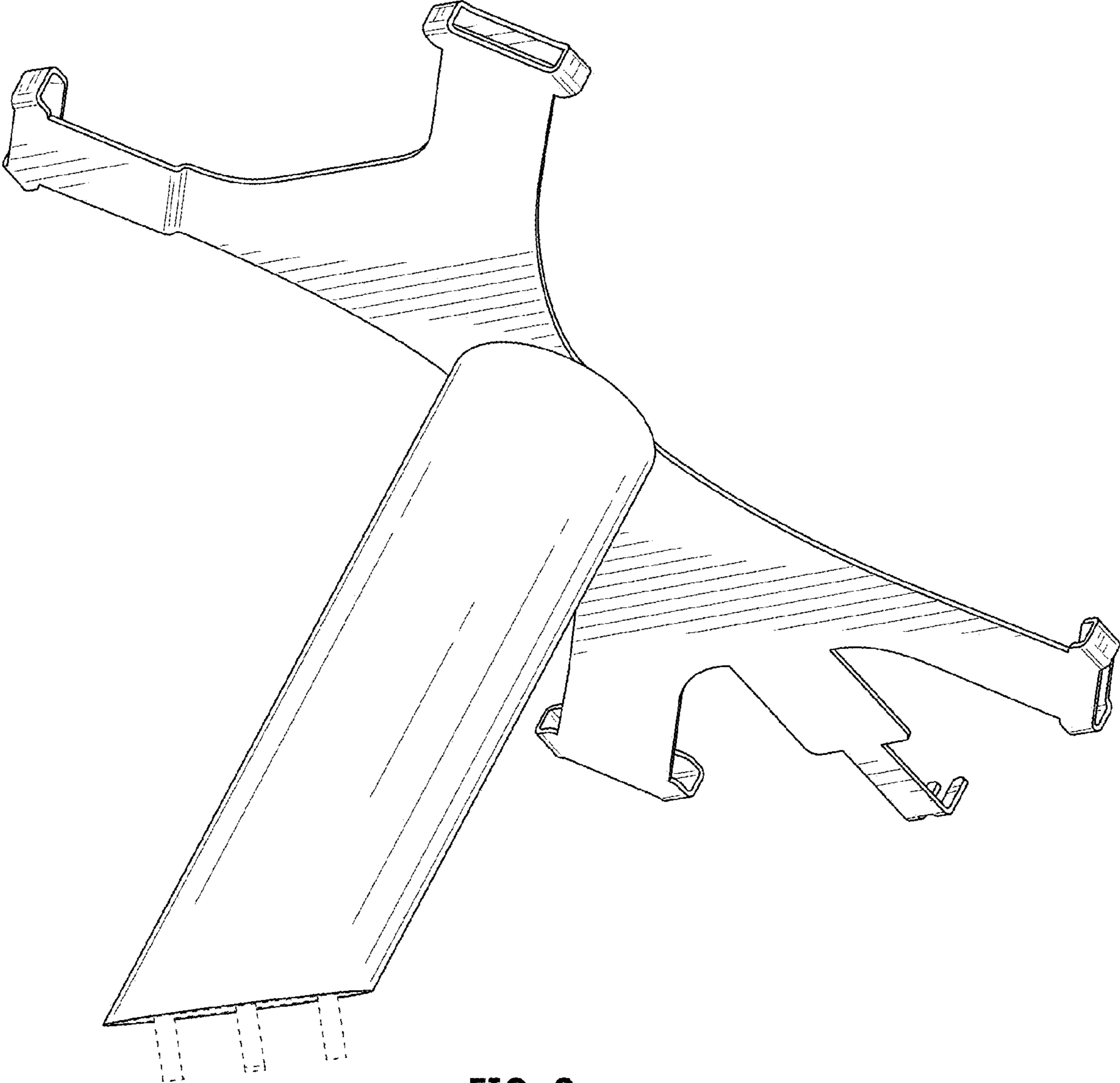


FIG. 2

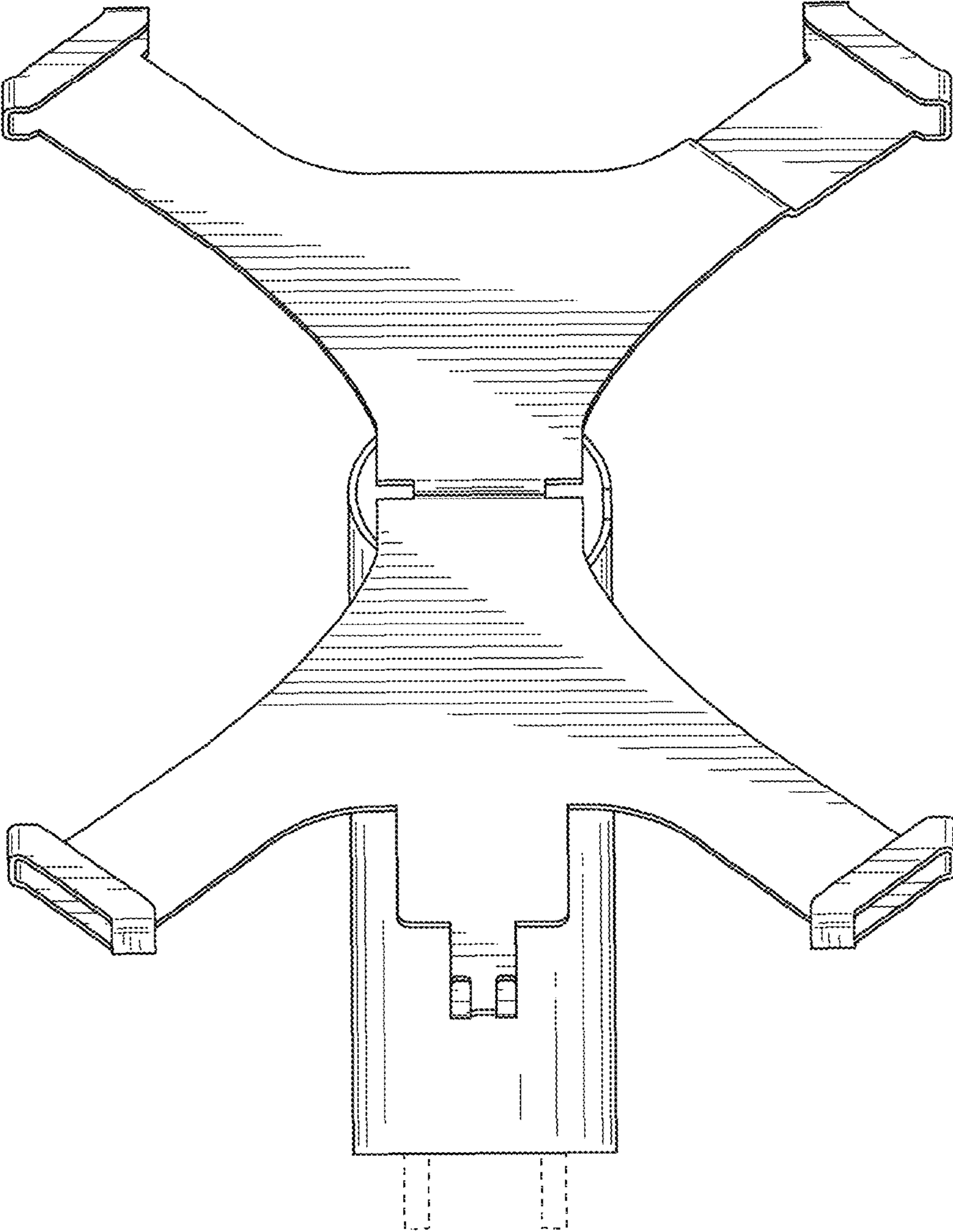


FIG. 3

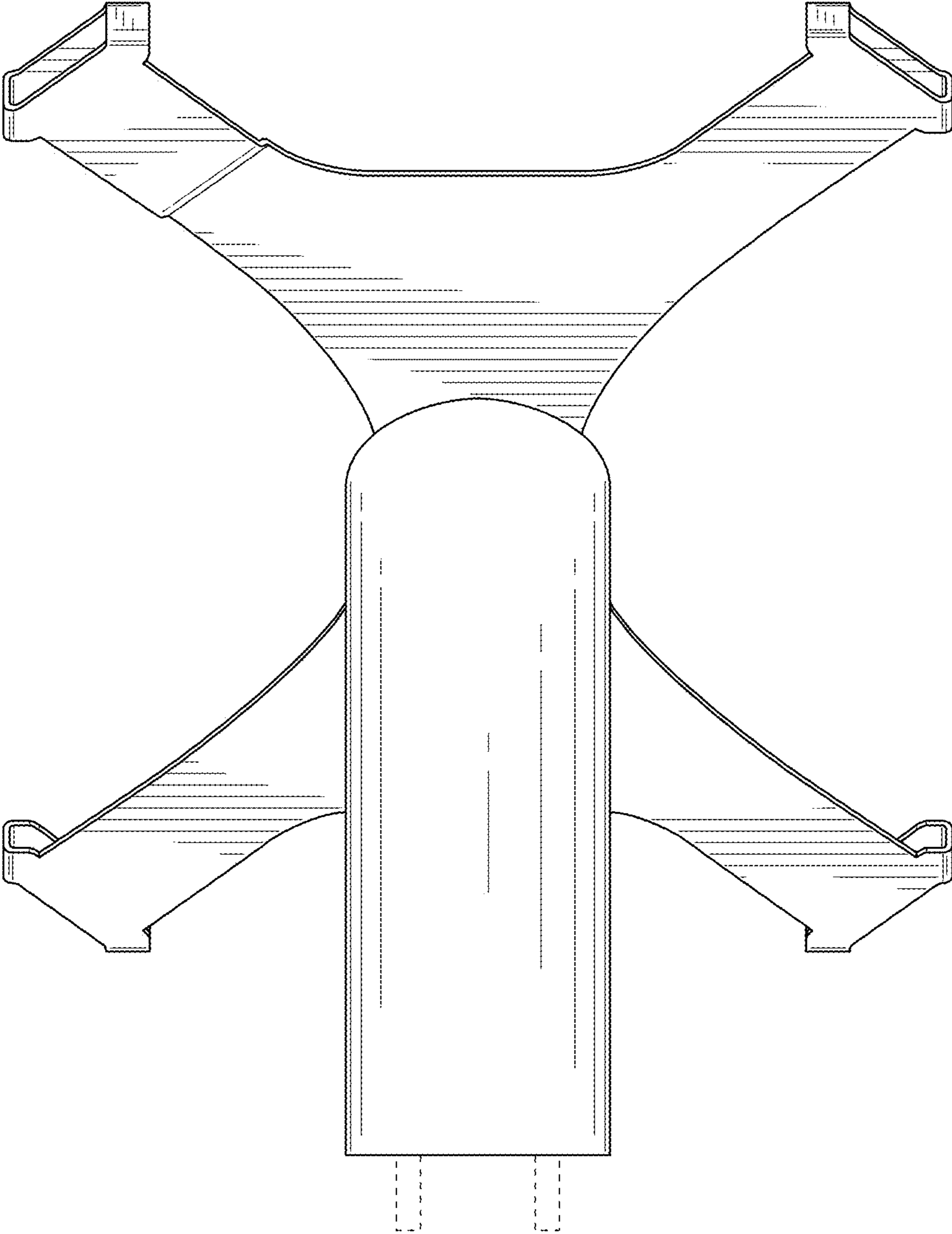


FIG. 4

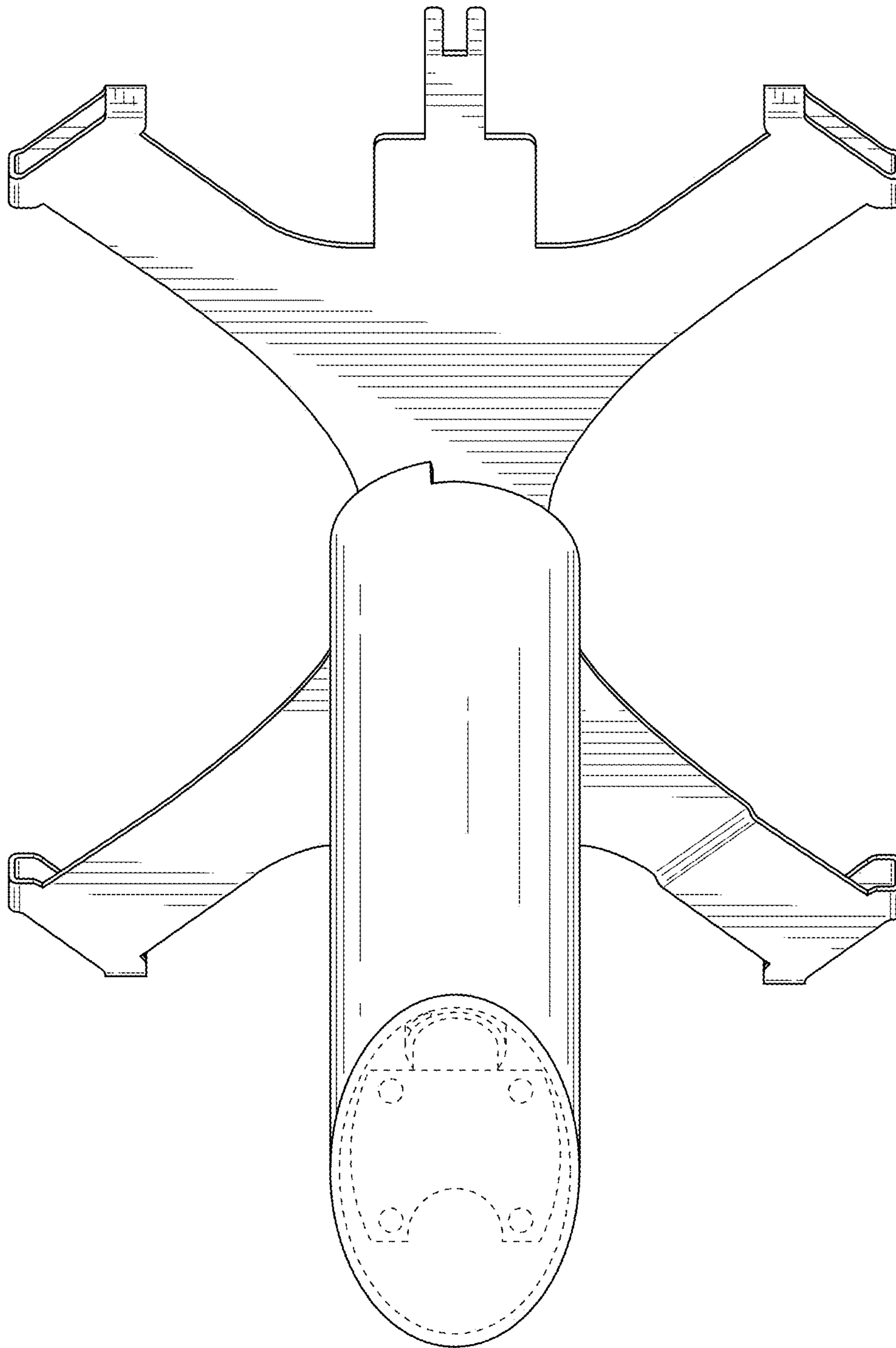


FIG. 5

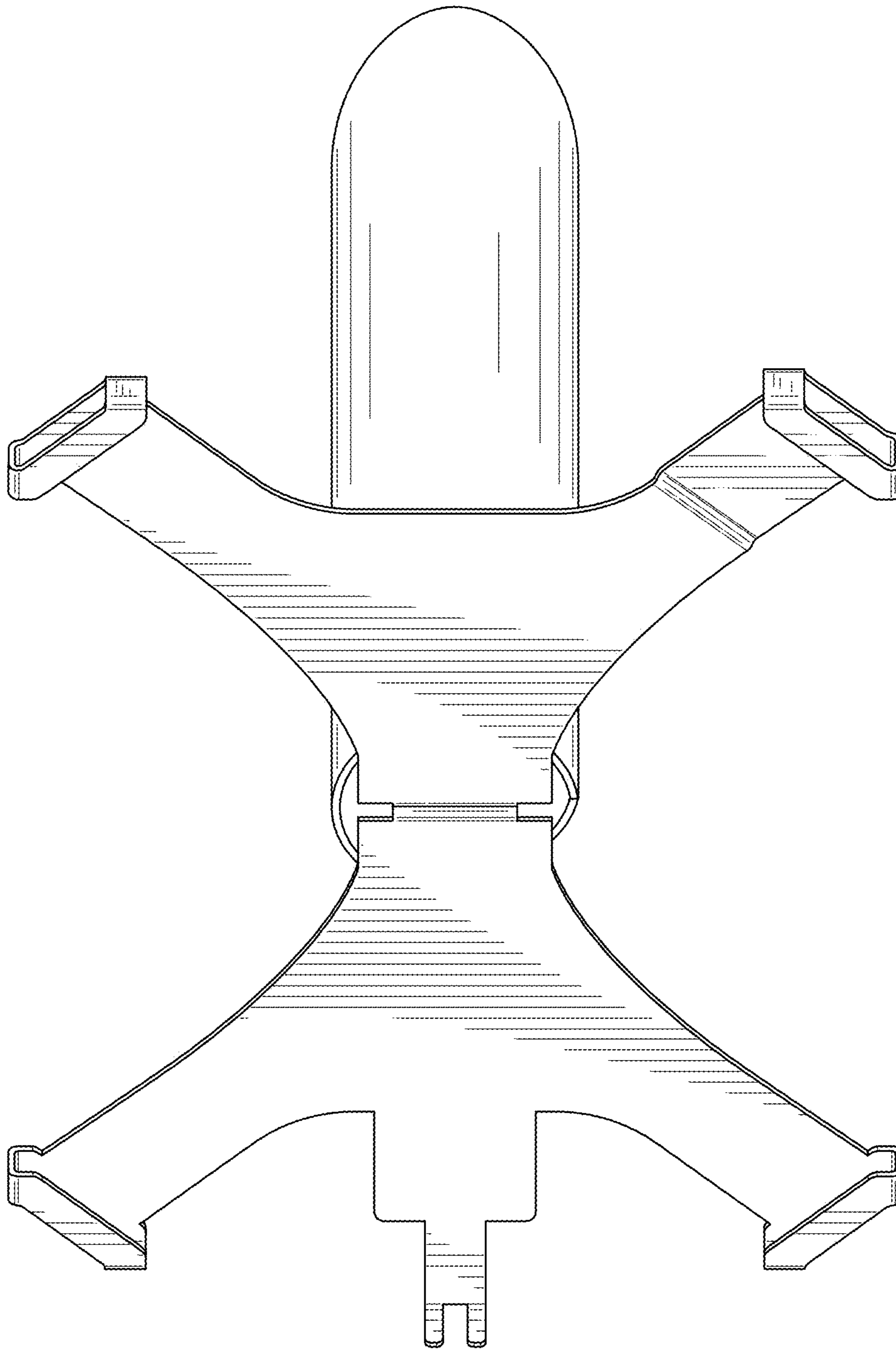


FIG. 6

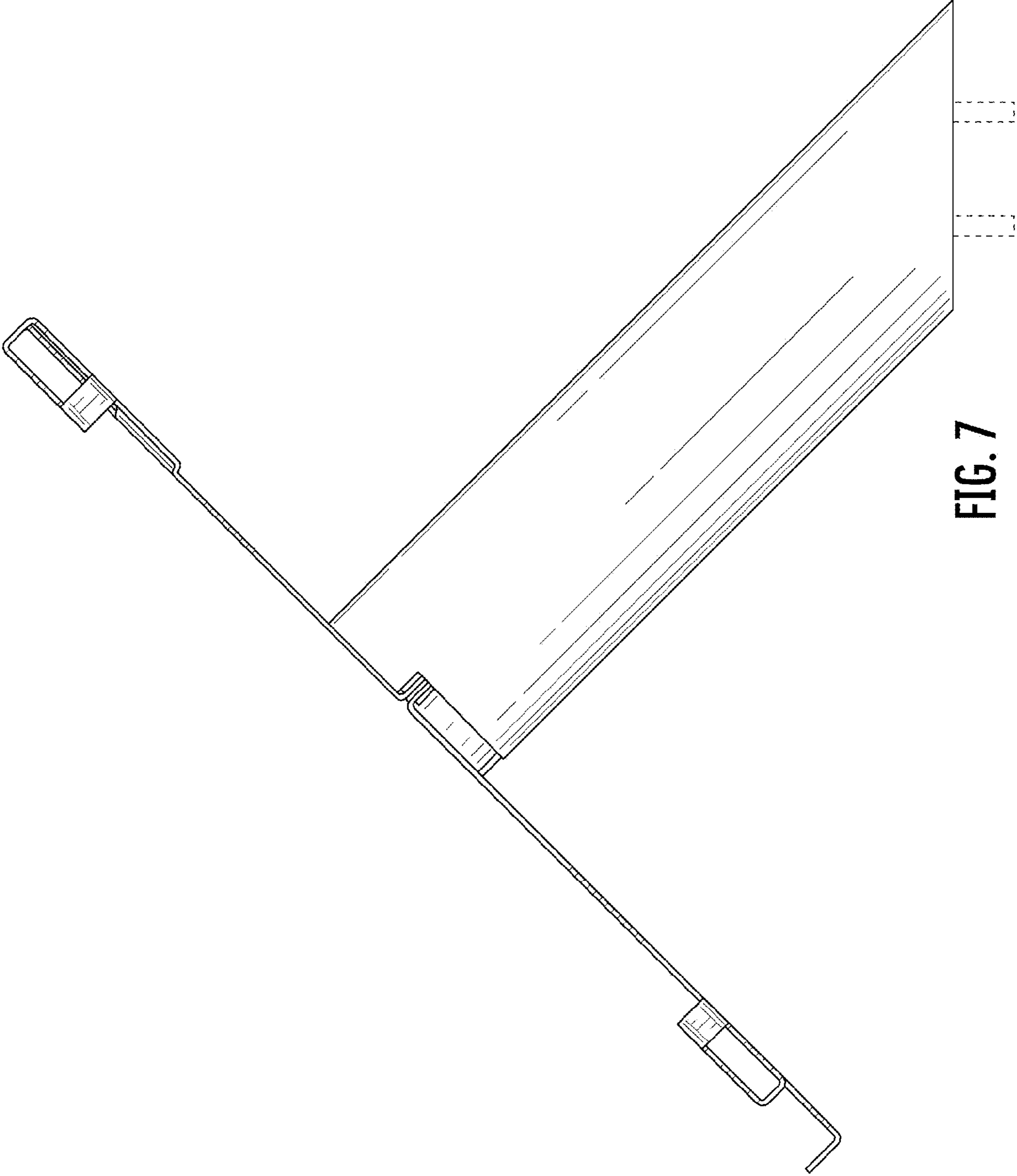


FIG. 7

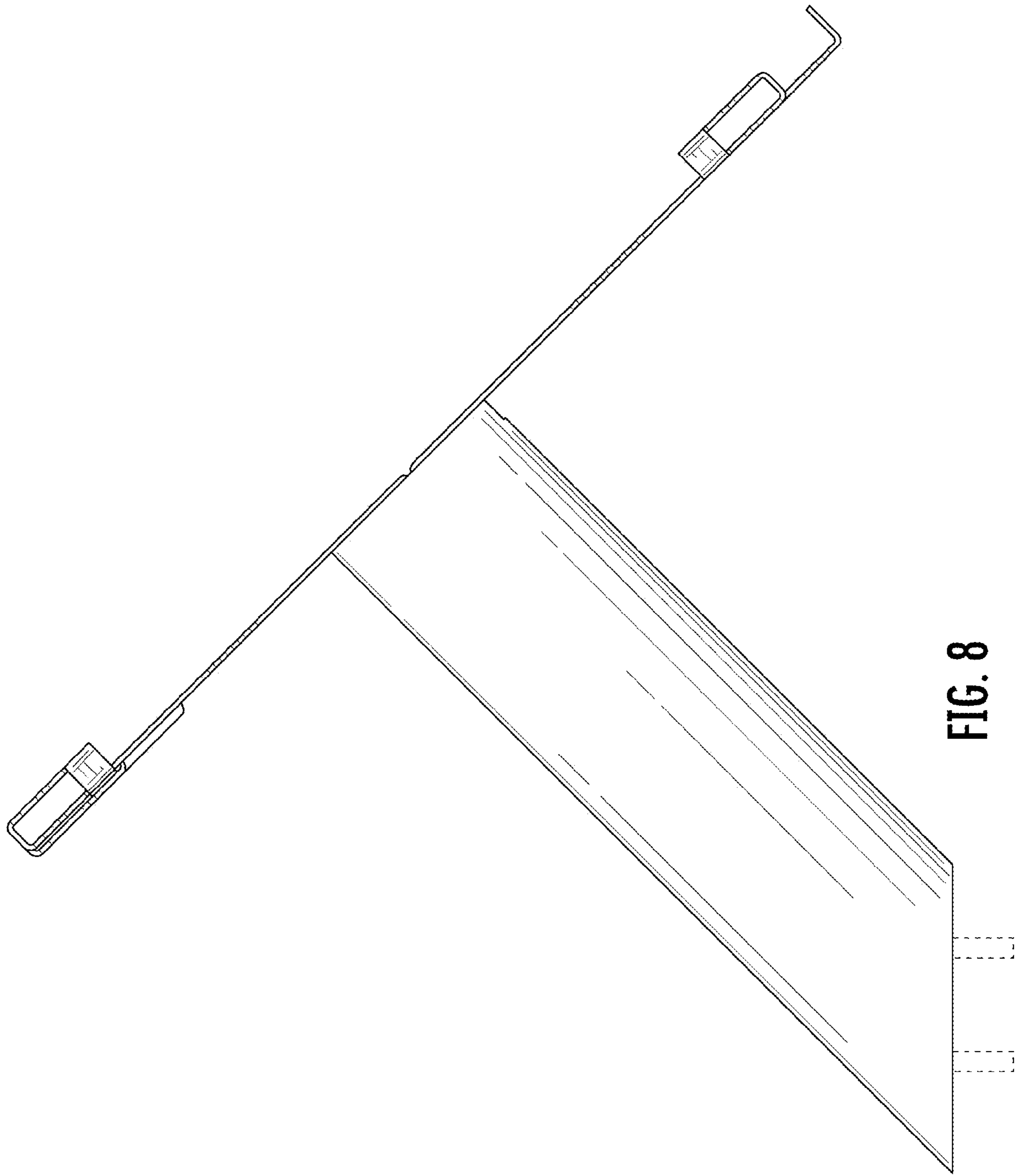


FIG. 8