



US00D942434S

(12) **United States Design Patent** (10) **Patent No.:** **US D942,434 S**
Lyu (45) **Date of Patent:** **** Feb. 1, 2022**

(54) **MONITOR WALL MOUNT APPARATUS**

FOREIGN PATENT DOCUMENTS

(71) Applicant: **Yaqi Lyu**, Shenzen (CN)

CN 300798215 * 7/2008

(72) Inventor: **Yaqi Lyu**, Shenzen (CN)

CN 301849428 * 2/2012

CN 305081298 * 3/2019

(**) Term: **15 Years**

OTHER PUBLICATIONS

(21) Appl. No.: **29/727,582**

Amazon. Link: https://www.amazon.com/Bracket-Articulating-Extension-800x400mm-Pipishell/dp/B08CC6LXNN/ref=sr_1_1?dchild=1&keywords=pipishell+B08CC6LXNN&qid=1616519378&s=electronics&sr=1-1. Jul. 4, 2020. Pipishell TV Wall Mount Bracket. (Year: 2020).*

(22) Filed: **Mar. 11, 2020**

(51) **LOC (13) Cl.** **14-03**

(52) **U.S. Cl.**

USPC **D14/239**

(58) **Field of Classification Search**

USPC D14/239, 371, 372, 373, 374, 447, 448, D14/449-452, 335-337, 125, 127, 128, D14/129, 375, 376, 377, 341, 126; D8/355, 363, 373; D6/672, 682

CPC F16M 11/2085; F16M 11/2092; F16M 11/2007; F16M 11/2014; F16M 11/2021; F16M 11/105; F16M 11/048; F16M 11/12; F16M 13/022; F16M 11/10

See application file for complete search history.

(Continued)

Primary Examiner — Lauren D McVey

(57) **CLAIM**

The ornamental design for a monitor wall mount apparatus, as shown and described.

DESCRIPTION

FIG. 1 is a perspective view of a monitor wall mount apparatus showing my new design;

FIG. 2 is a front elevation view of FIG. 1;

FIG. 3 is a rear elevation view thereof;

FIG. 4 is a left side elevation view thereof;

FIG. 5 is a right side elevation view thereof;

FIG. 6 is a top plan view thereof; and,

FIG. 7 is a bottom plan view thereof.

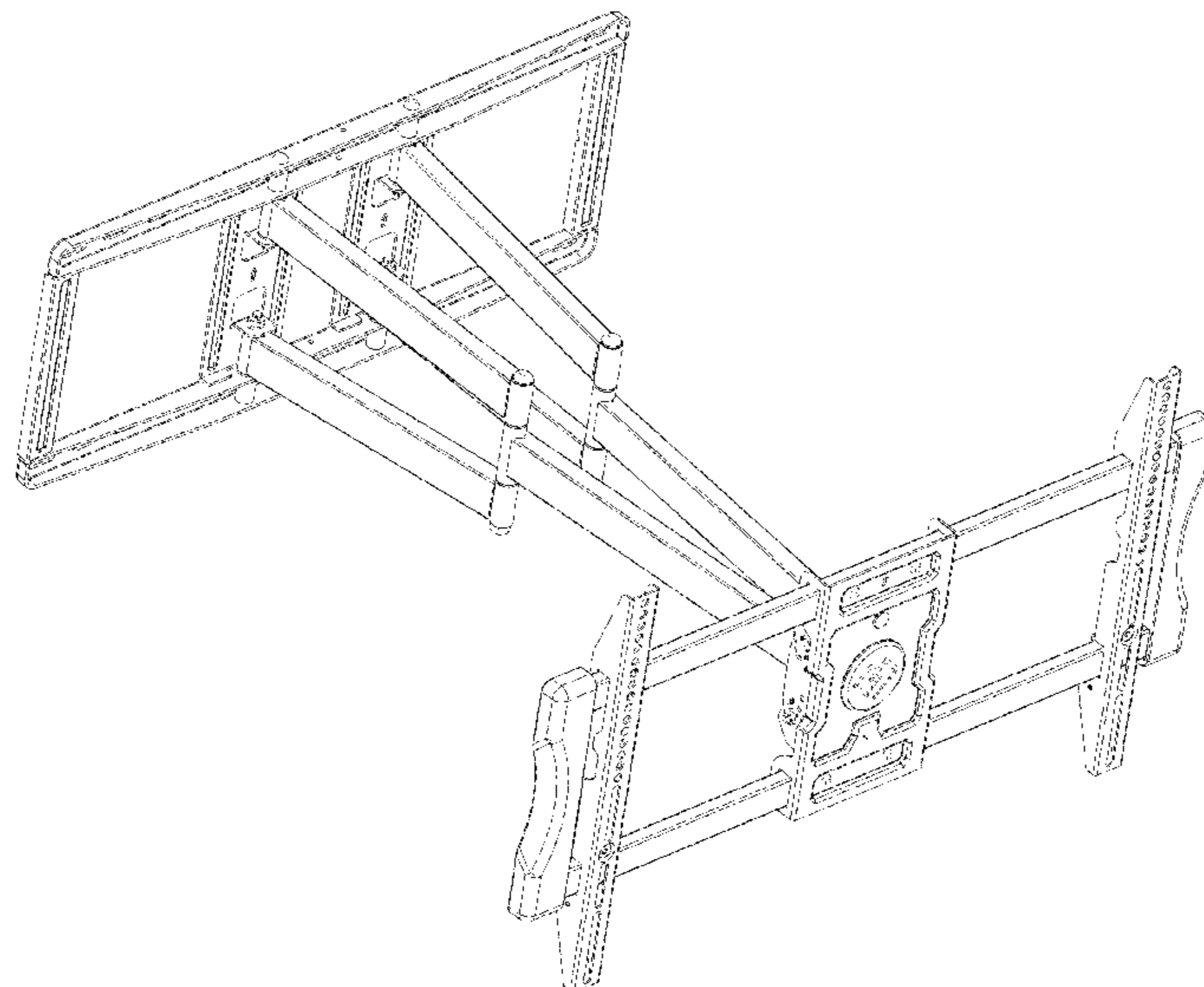
The broken lines immediately adjacent to the claim depict the bounds of the claimed design, while all other broken lines are directed to environment. The broken lines form no part of the claimed design. The wire frame lines shown throughout the views indicate surface contour. The lettering and icon shown in broken lines that form no part of the disclosure is a registered trademark of PERLE ELECTRONICS HARDWARE (HONGKONG) CO., LIMITED limited company (ltd.)

(56) **References Cited**

U.S. PATENT DOCUMENTS

D614,611 S *	4/2010	Leung	D14/239
D635,130 S *	3/2011	Skull	D14/239
D836,617 S *	12/2018	Shu	D14/239
D842,283 S *	3/2019	Pei	D14/239
D848,989 S *	5/2019	Pei	D14/239
D852,790 S *	7/2019	Pei	D14/239
D858,493 S *	9/2019	Pei	D14/239
D888,027 S *	6/2020	Pei	D14/239
D904,360 S *	12/2020	Pei	D14/239
D907,018 S *	1/2021	Pei	D14/239
D911,320 S *	2/2021	Lyu	D14/239
D912,022 S *	3/2021	Lyu	D14/239
D918,881 S *	5/2021	Lu	D14/239
D933,671 S *	10/2021	Lyu	D14/452
D934,209 S *	10/2021	Lyu	D14/239
2009/0194655 A1 *	8/2009	Huang	F16M 11/10 248/282.1

1 Claim, 7 Drawing Sheets



(56)

References Cited

OTHER PUBLICATIONS

Amazon. Link: https://www.amazon.com/dp/B088R2RCB8/ref=cm_sw_em_r_mt_dp_QXMR8JWAD36CS29WVKQQ?_encoding=UTF8&psc=1. May 18, 2020. Pipishell TV Wall Mount Bracket. (Year: 2020).*

Amazon. Link: https://www.amazon.com/Articulating-600x400mm-Sliding-Centering-Tilting/dp/B088D7G6XC/ref=sr_1_1?dchild=1&keywords=perlesmith+PSLF6&qid=1615387488&s=electronics&sr=1-1. May 9, 2020. Perlesmith Full Motion TV Wall Mount. (Year: 2020).*

Amazon. Link: https://www.amazon.com/800x400mm-Articulating-Sliding-Centering-Tilting/dp/B08C7P96TS/ref=sr_1_1?dchild=1&keywords=perlesmith+PSXF3&qid=1615387292&s=electronics&sr=1-1. Jul. 2, 2020. Perlesmith Full Motion TV Wall Mount. (Year: 2020).*

* cited by examiner

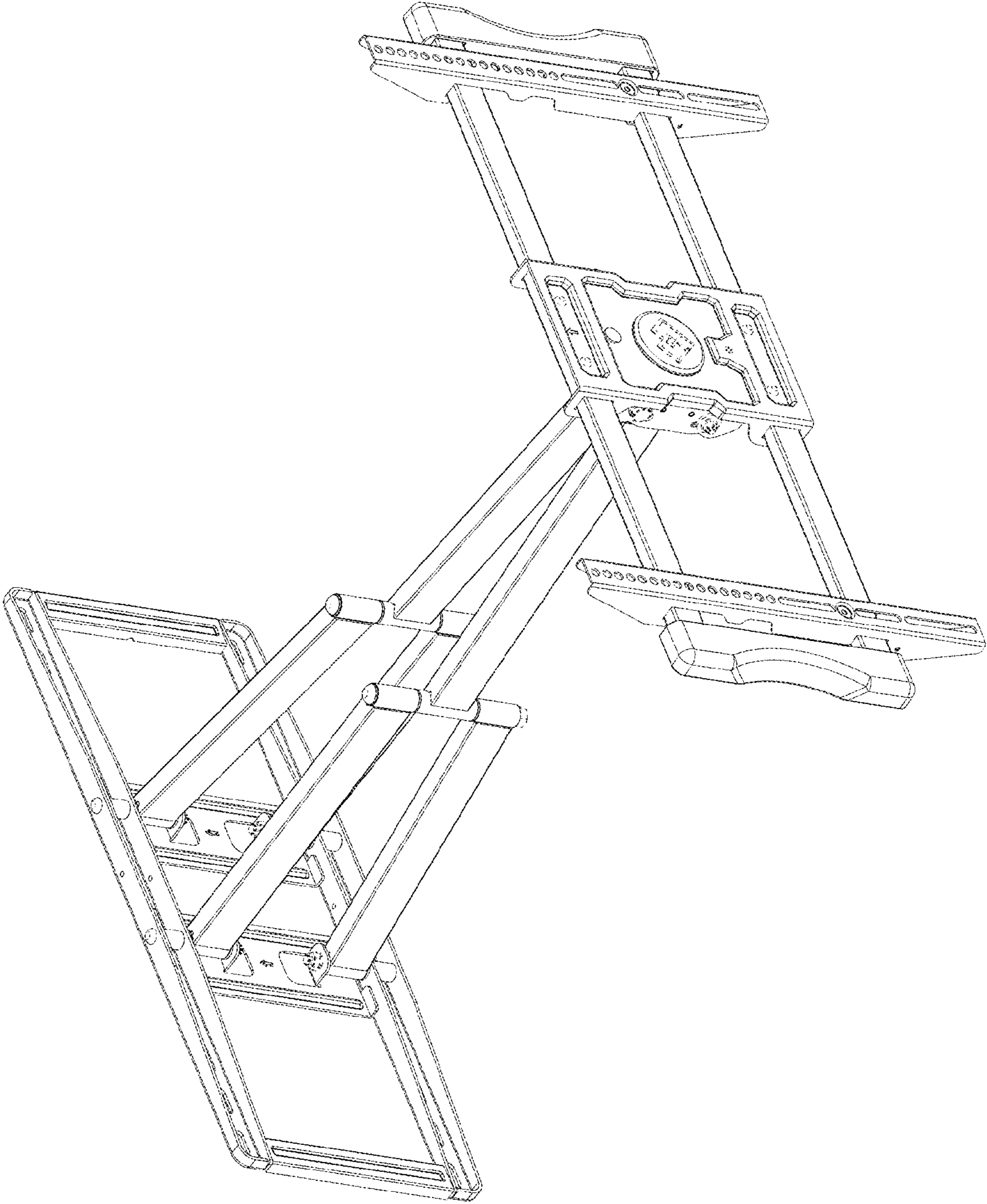


FIG. 1

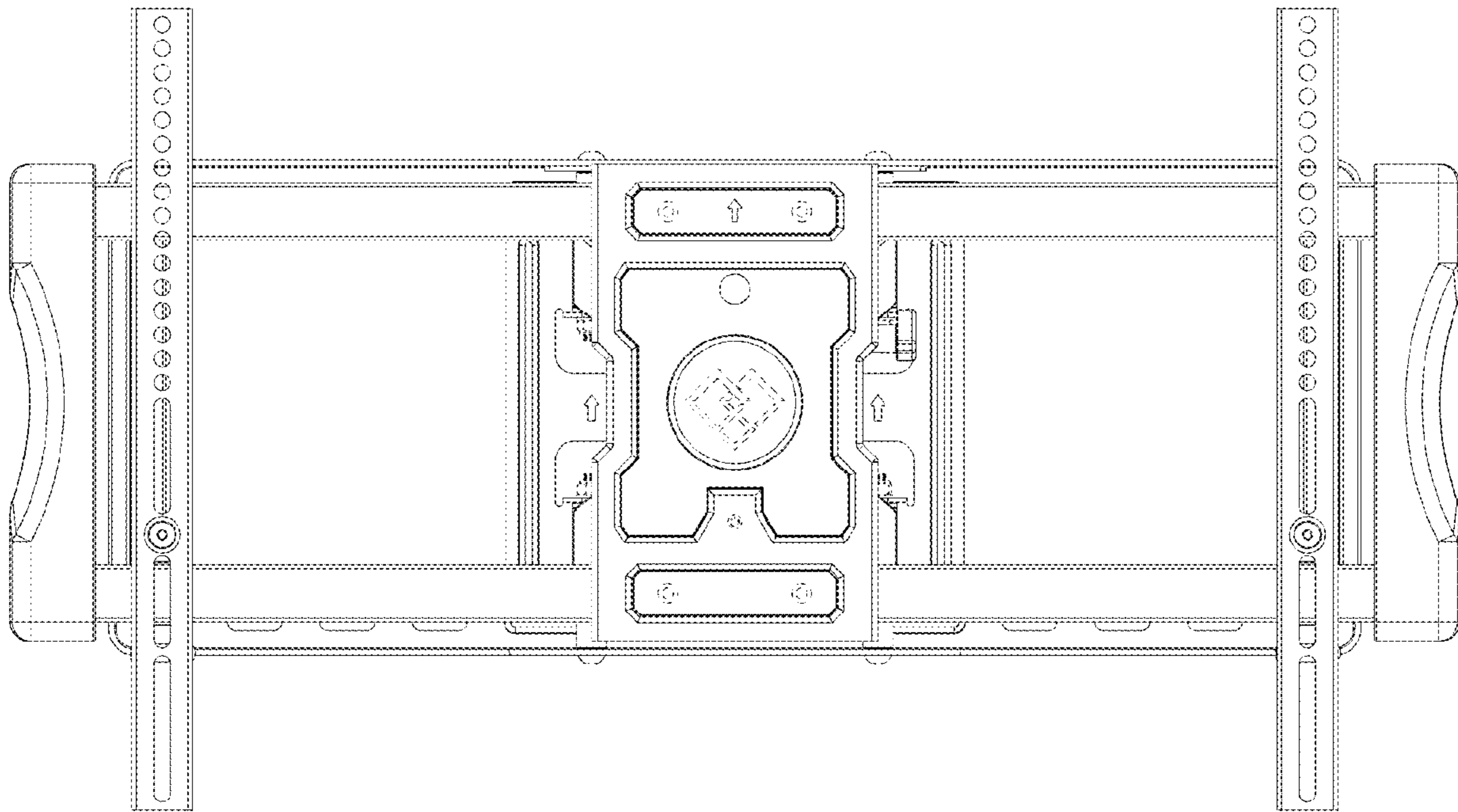


FIG. 2

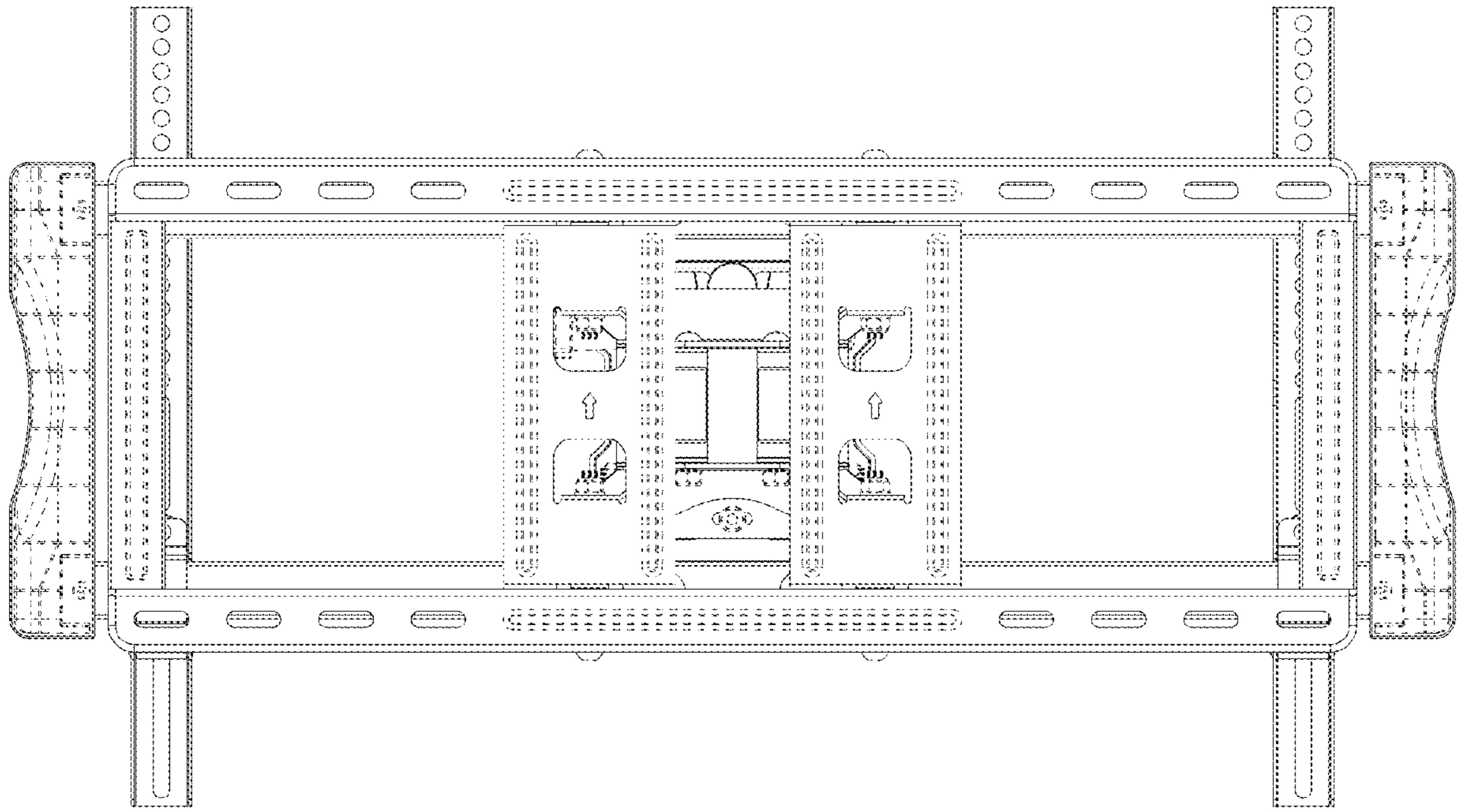


FIG. 3

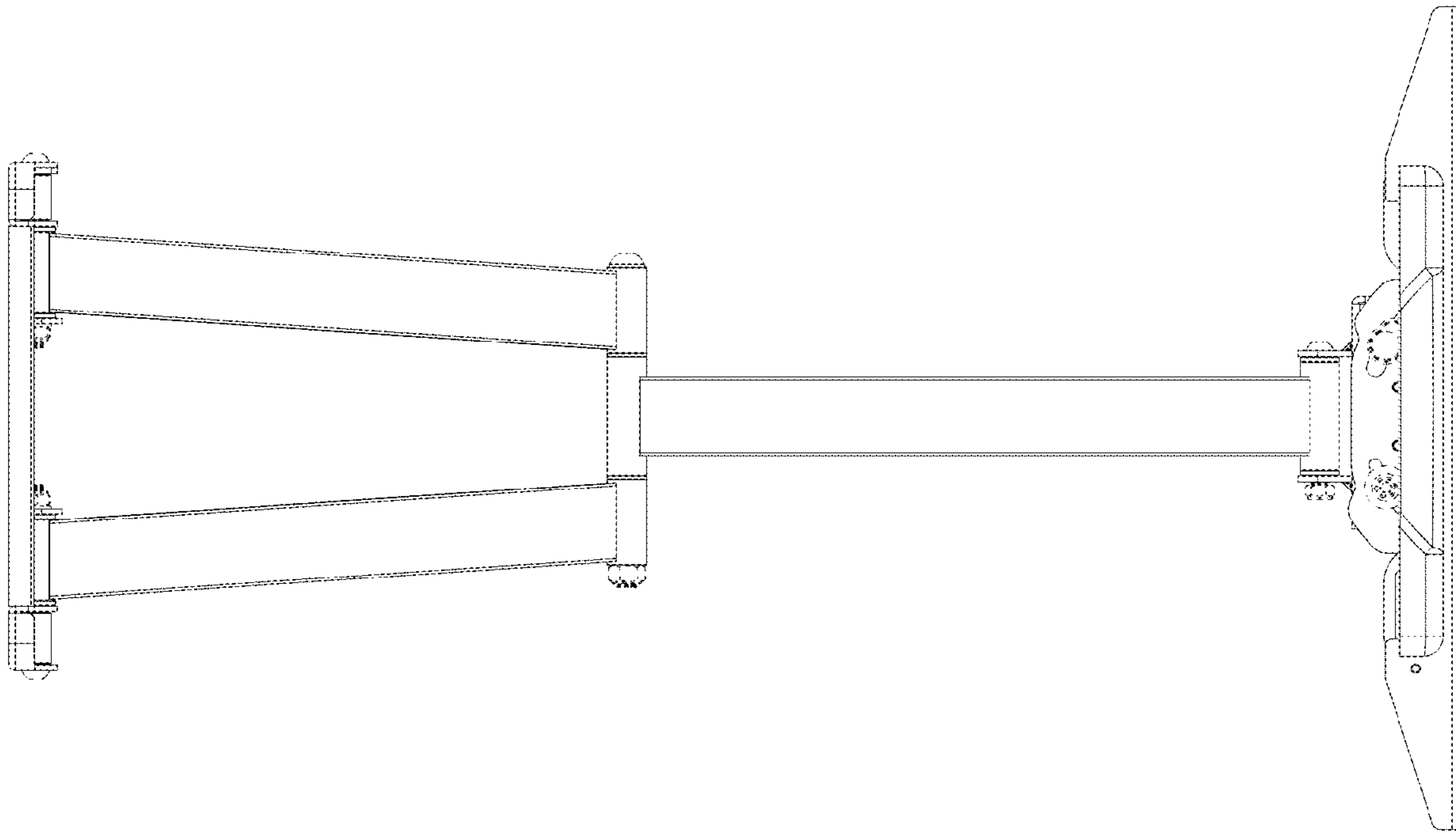


FIG. 4

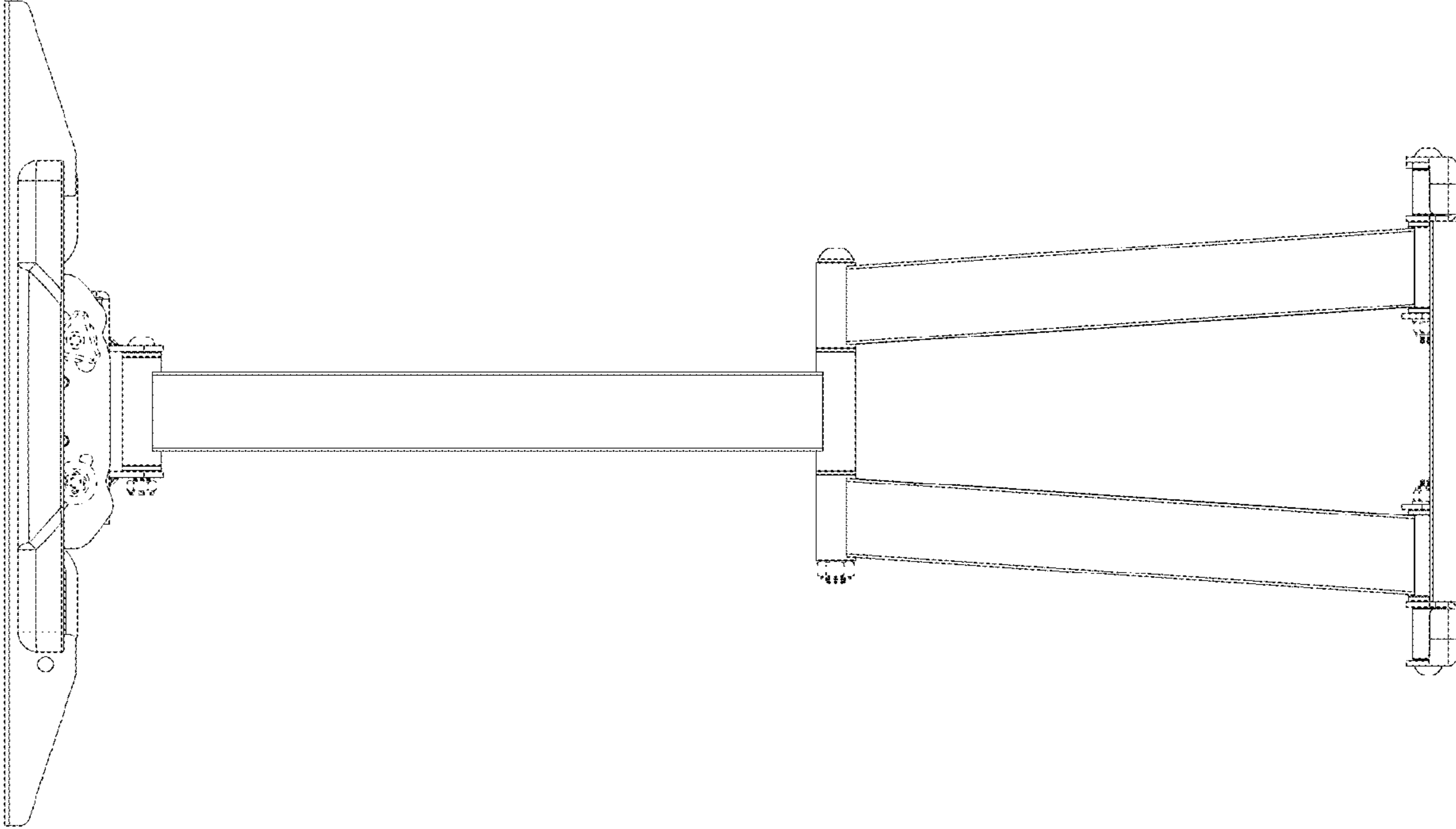


FIG. 5

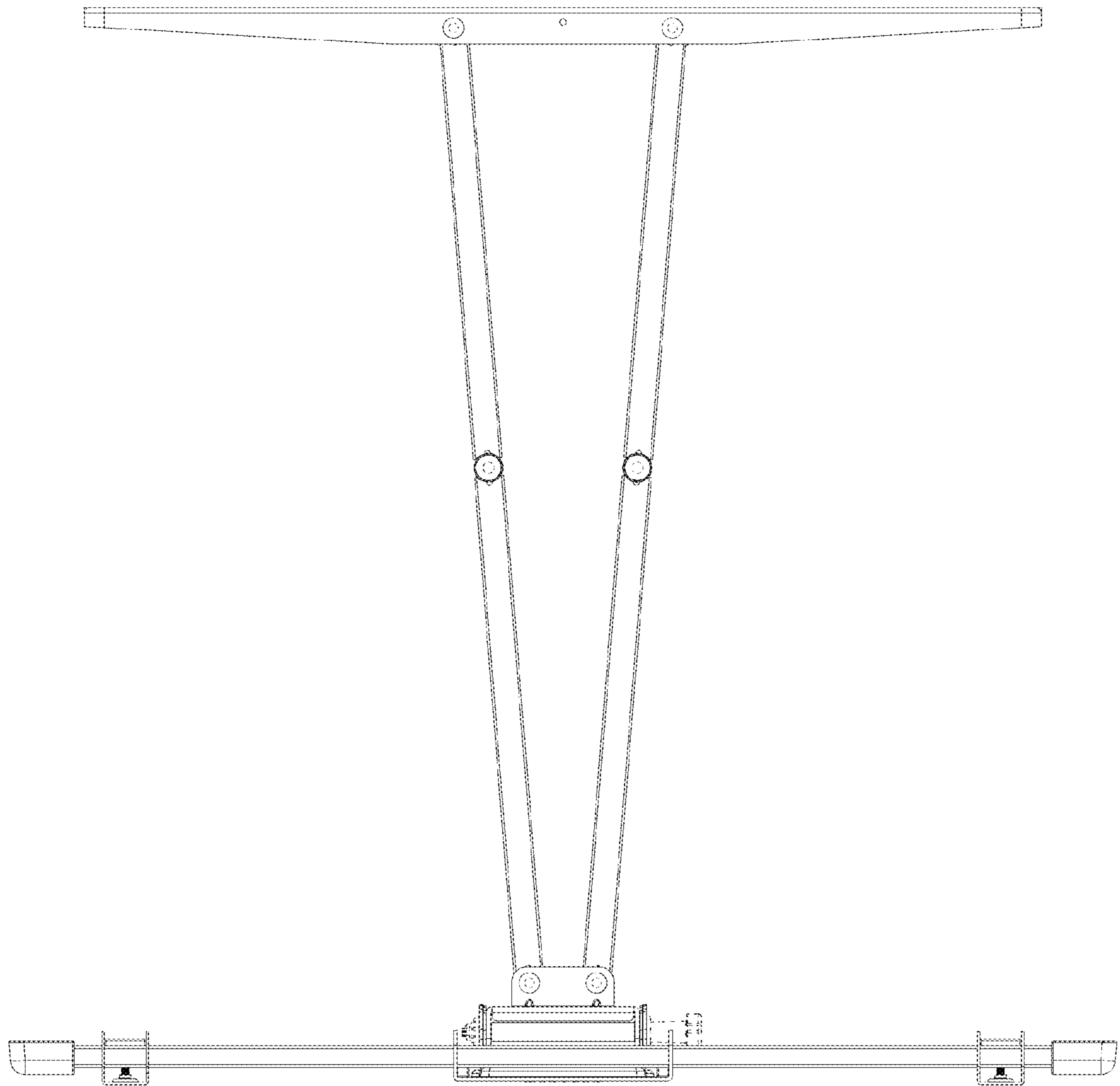


FIG. 6

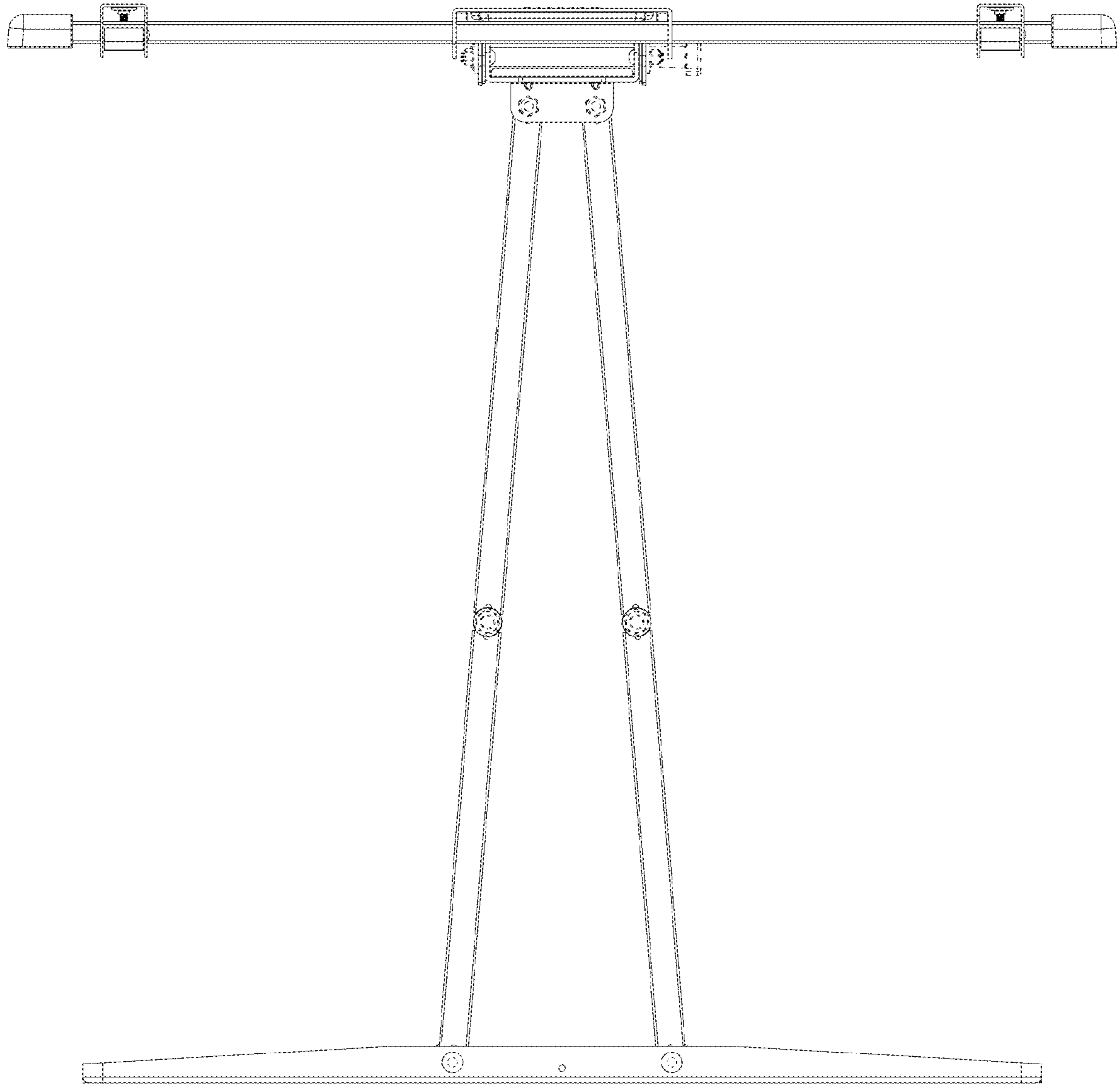


FIG. 7