



US00D942431S

(12) **United States Design Patent**  
**Zhao**

(10) **Patent No.:** **US D942,431 S**

(45) **Date of Patent:** **\*\* Feb. 1, 2022**

(54) **DIGITAL TV ANTENNA**

(71) Applicant: **Shenzhen Tuko Technology Co., Ltd,**  
Shenzhen (CN)

(72) Inventor: **Guodong Zhao,** Shenzhen (CN)

(\*\*) Term: **15 Years**

(21) Appl. No.: **29/767,967**

(22) Filed: **Jan. 26, 2021**

(51) **LOC (13) Cl.** ..... **14-03**

(52) **U.S. Cl.**  
USPC ..... **D14/230**

(58) **Field of Classification Search**  
USPC ..... D14/230  
CPC ..... H01Q 1/12; H01Q 9/28; H01Q 1/40  
See application file for complete search history.

(56) **References Cited**

**U.S. PATENT DOCUMENTS**

D401,594 S *	11/1998	Nishimura	.....	D14/230
D453,329 S *	2/2002	Muramatsu	.....	D14/230
D518,819 S *	4/2006	Gray	.....	D14/230
D557,260 S *	12/2007	Westerling	.....	D14/230
D617,319 S *	6/2010	Maffetone	.....	D14/230
D671,921 S *	12/2012	Beall	.....	D14/230
D695,725 S *	12/2013	Taeger	.....	D14/230
D738,867 S *	9/2015	Zuniga	.....	D14/230
D744,986 S *	12/2015	Huerta	.....	D14/230
D746,798 S *	1/2016	Grundy	.....	D14/230
D752,027 S *	3/2016	Yang	.....	D14/230
9,553,357 B2 *	1/2017	Taeger	.....	H01Q 1/1214
D789,915 S *	6/2017	Heinrich	.....	D14/230
9,991,581 B2 *	6/2018	Taptic	.....	H04M 1/04
D825,539 S *	8/2018	Lu	.....	D14/240
10,205,248 B1 *	2/2019	Zheng	.....	H01Q 3/30

D848,405 S *	5/2019	Bould	.....	D14/240
D868,755 S *	12/2019	Yang	.....	D14/230
D869,450 S *	12/2019	Yang	.....	D14/230
D901,468 S	11/2020	Zhao	.....	
D904,294 S *	12/2020	Tsuchiyama	.....	D13/108

**FOREIGN PATENT DOCUMENTS**

GB 6093076 \* 6/2020

**OTHER PUBLICATIONS**

Shenzhen Tuko digital TV antenna, Tradewheel website 2021, site visited Dec. 1, 2021, <https://www.tradewheel.com/p/long-range-100miles-360-degree-omnidirectionl-1700431/>.\*

\* cited by examiner

*Primary Examiner* — John R Yeh

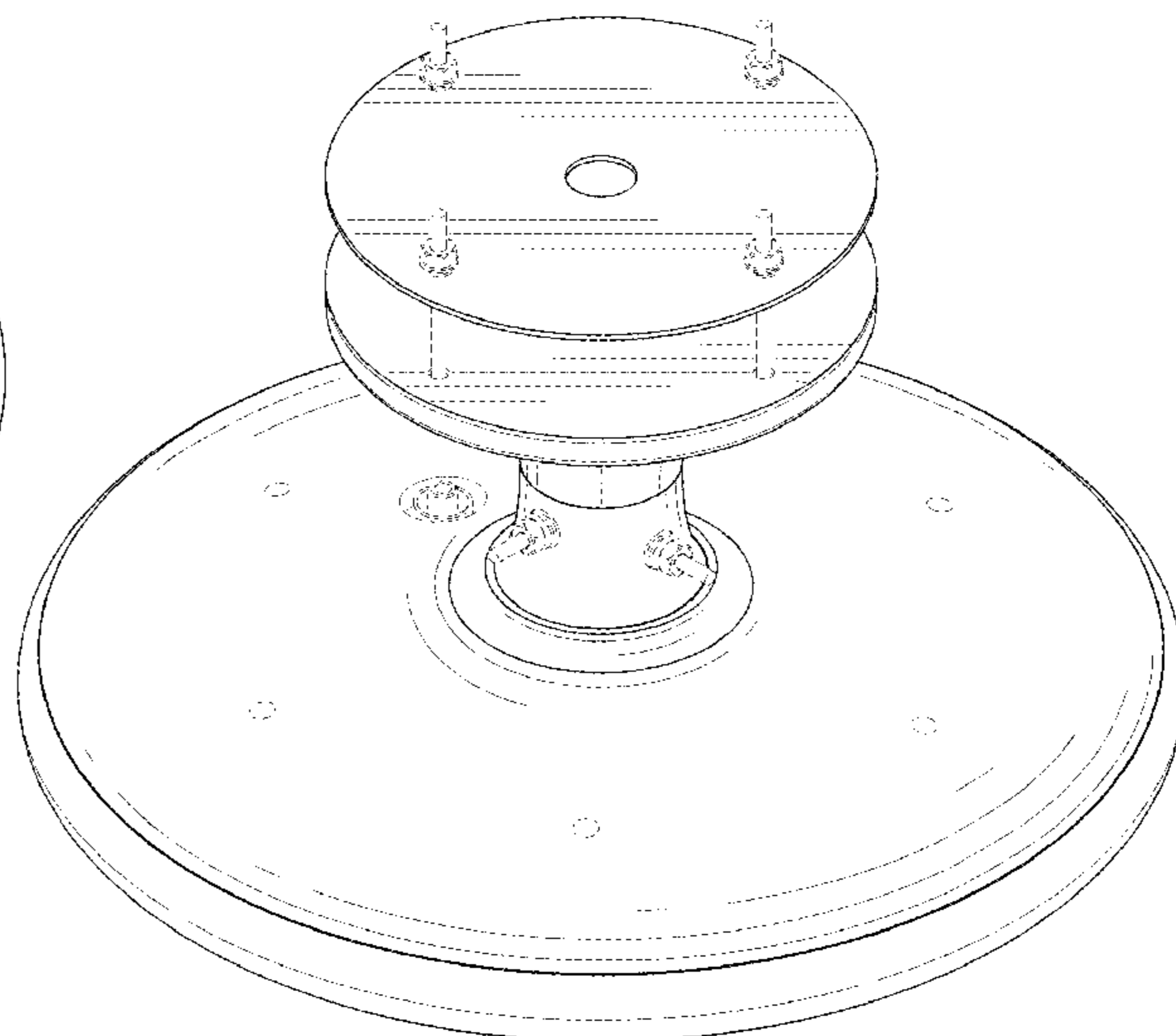
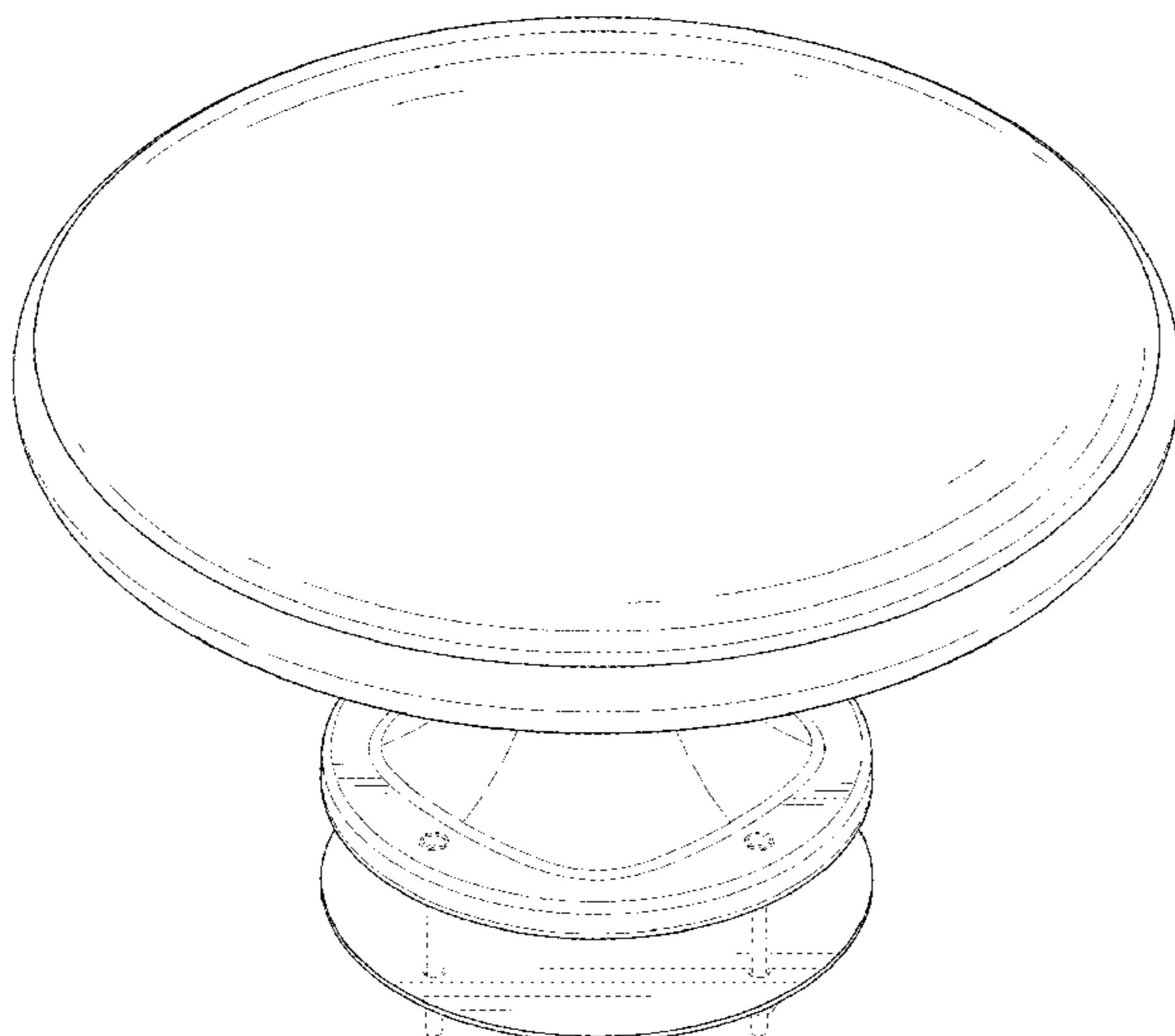
(57) **CLAIM**

The ornamental design for a digital TV antenna, as shown and described.

**DESCRIPTION**

FIG. 1 is a front and top perspective view of a digital TV antenna, showing my new design;  
FIG. 2 is a rear and bottom perspective view thereof;  
FIG. 3 is a front elevation view thereof;  
FIG. 4 is a rear elevation view thereof;  
FIG. 5 is a left side elevation view thereof;  
FIG. 6 is a right side elevation view thereof;  
FIG. 7 is a top plan view thereof; and,  
FIG. 8 is a bottom plan view thereof.  
The dashed broken lines in the figures illustrate portions of the digital TV antenna that form no part of the claimed design.

**1 Claim, 8 Drawing Sheets**



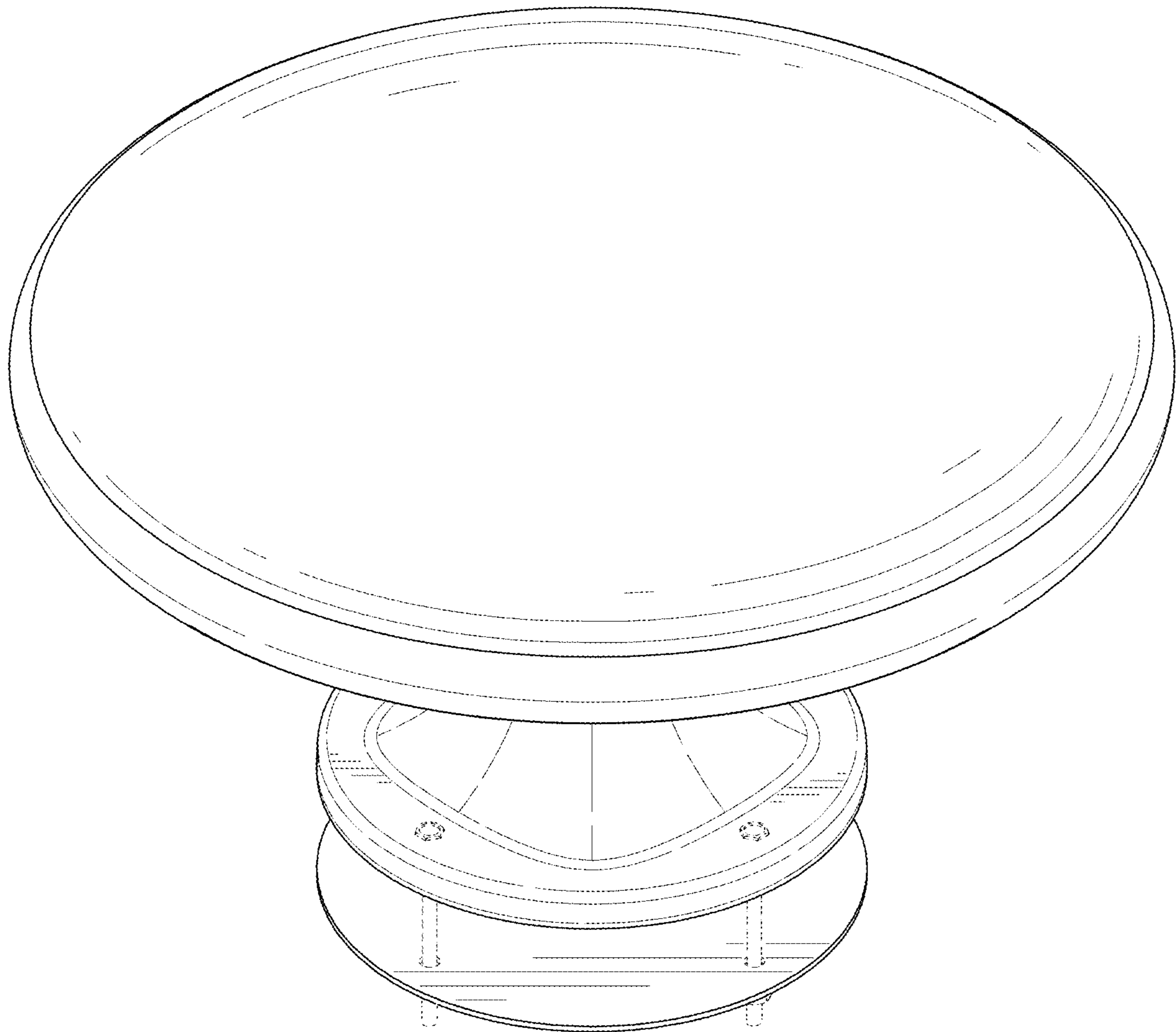


FIG. 1

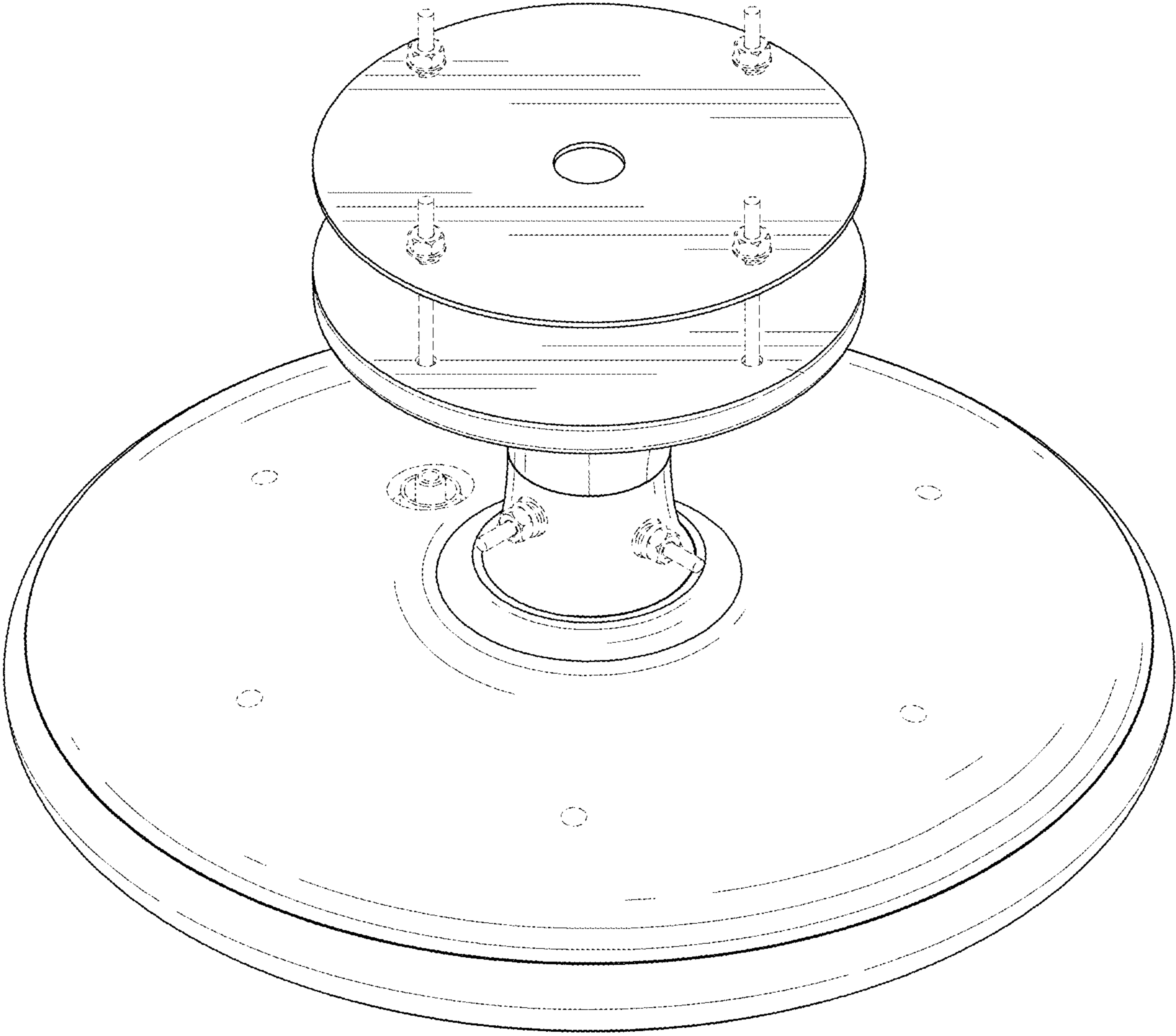


FIG. 2

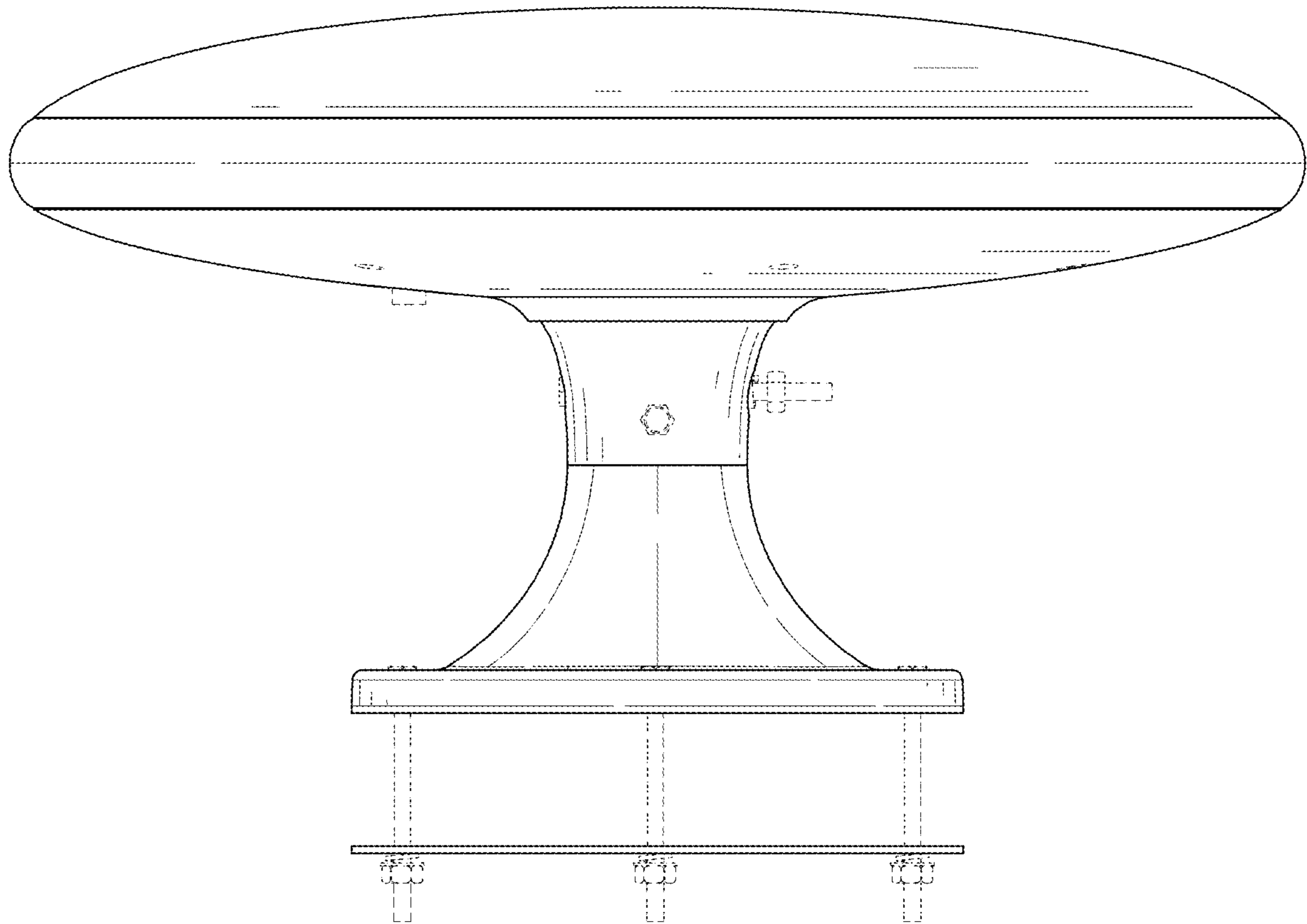


FIG. 3

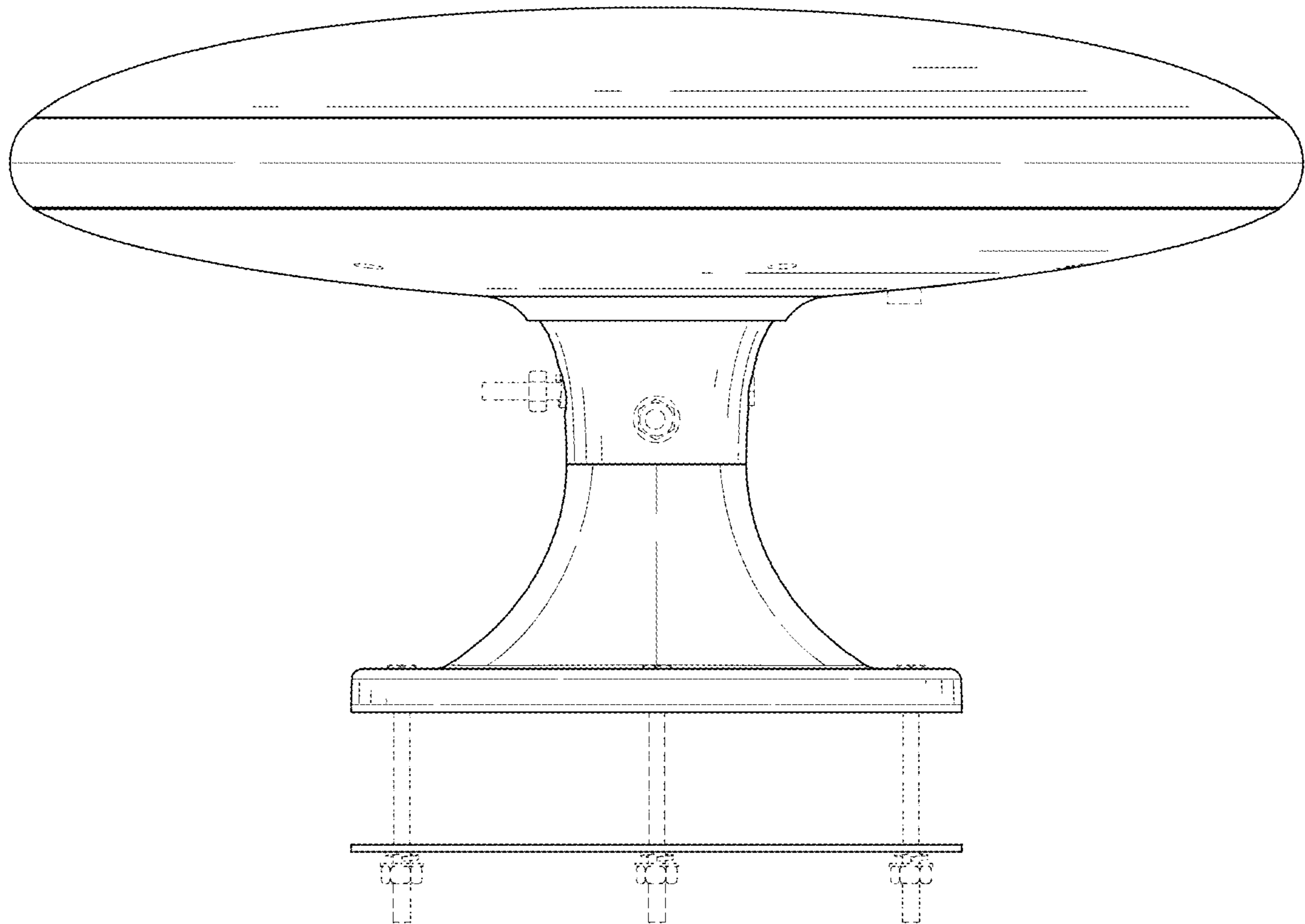


FIG. 4

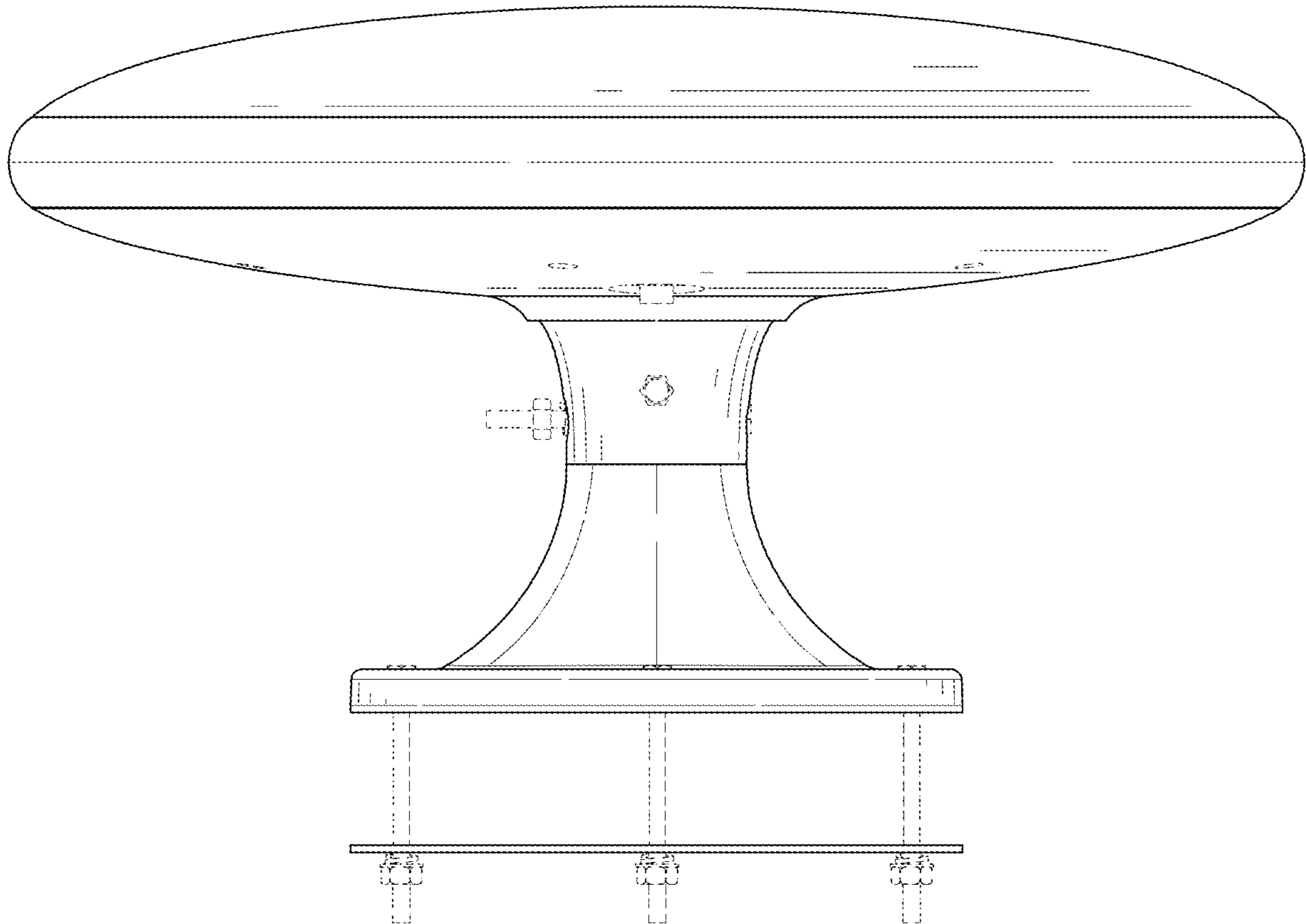


FIG. 5

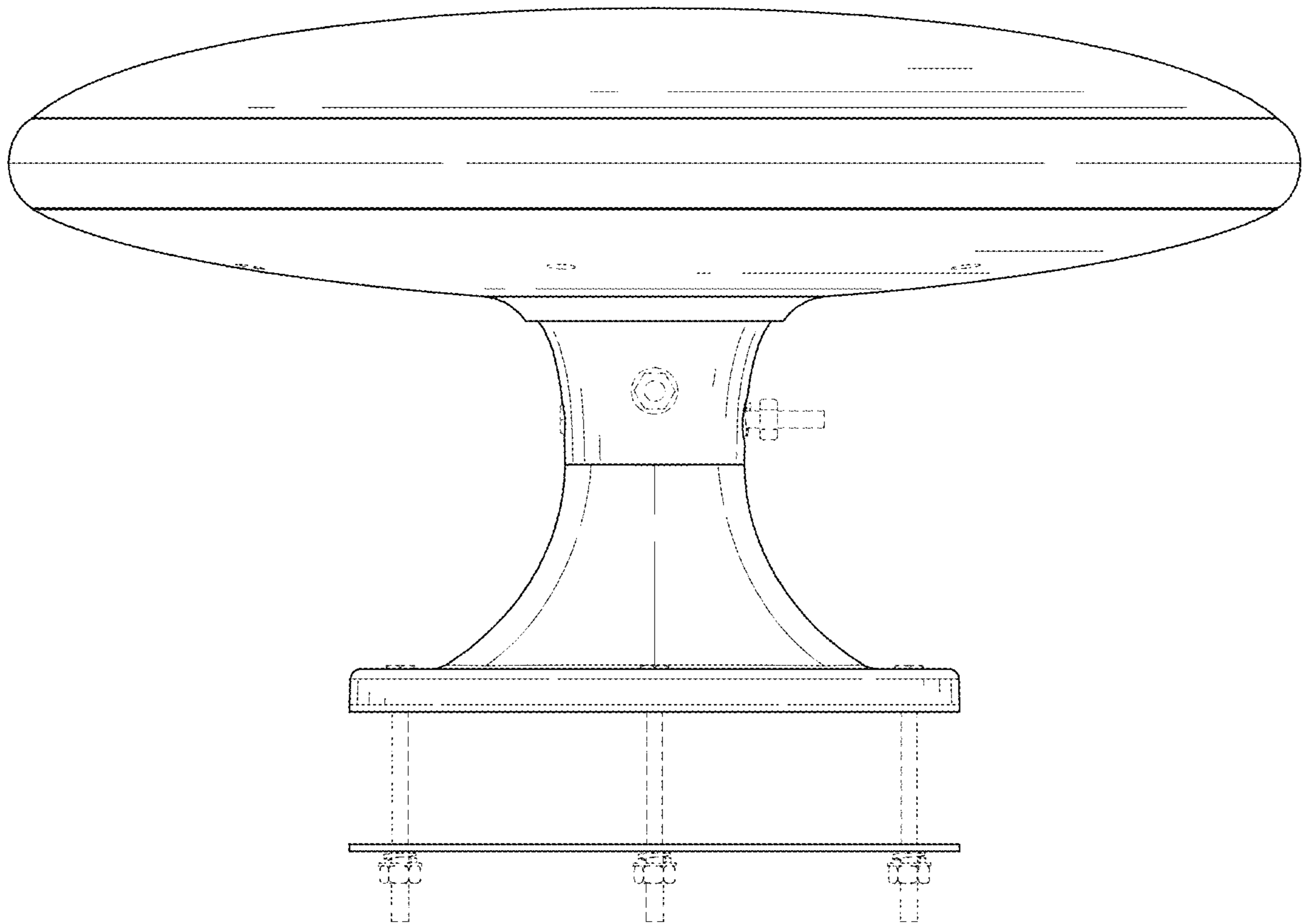


FIG. 6

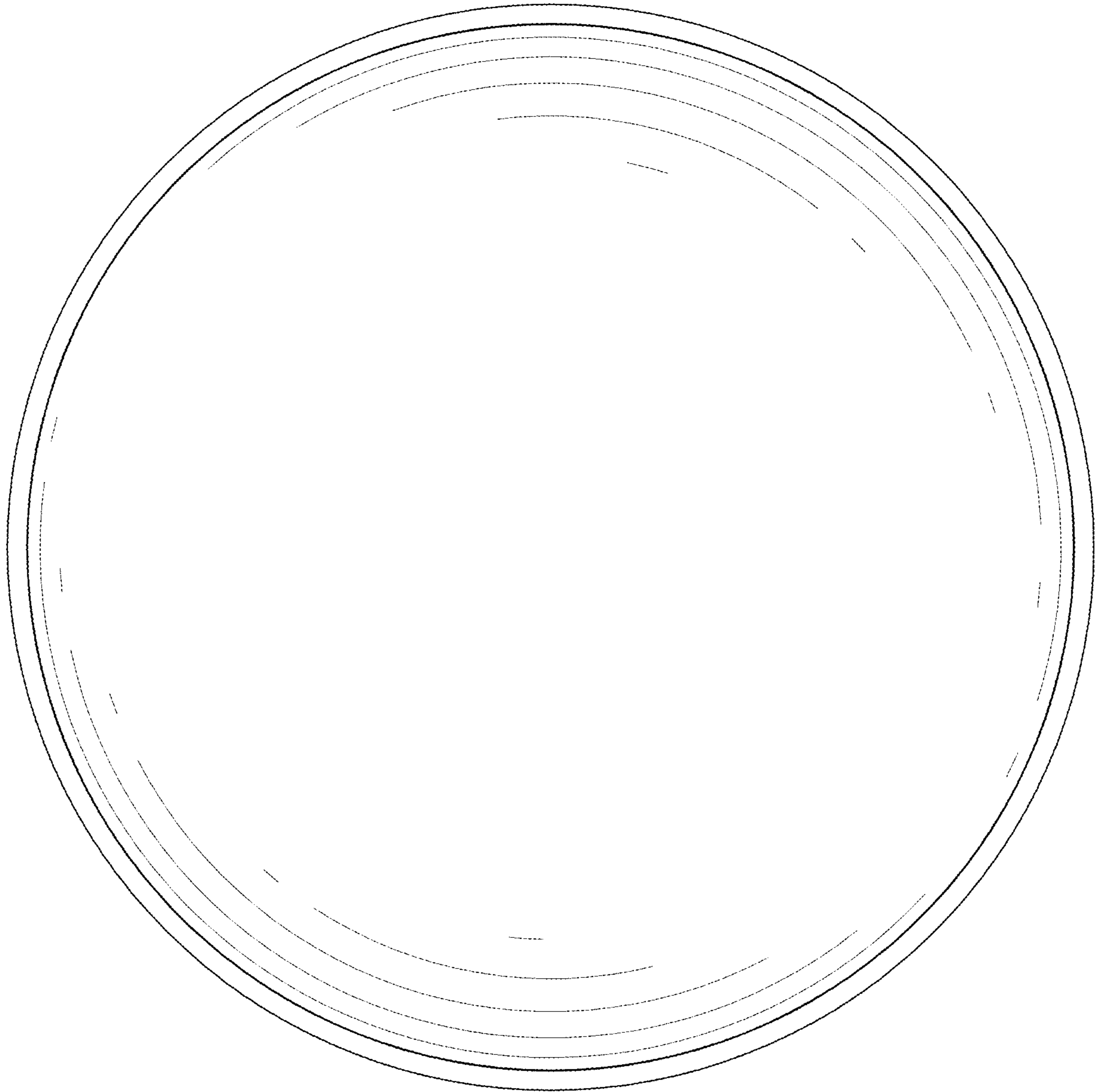


FIG. 7



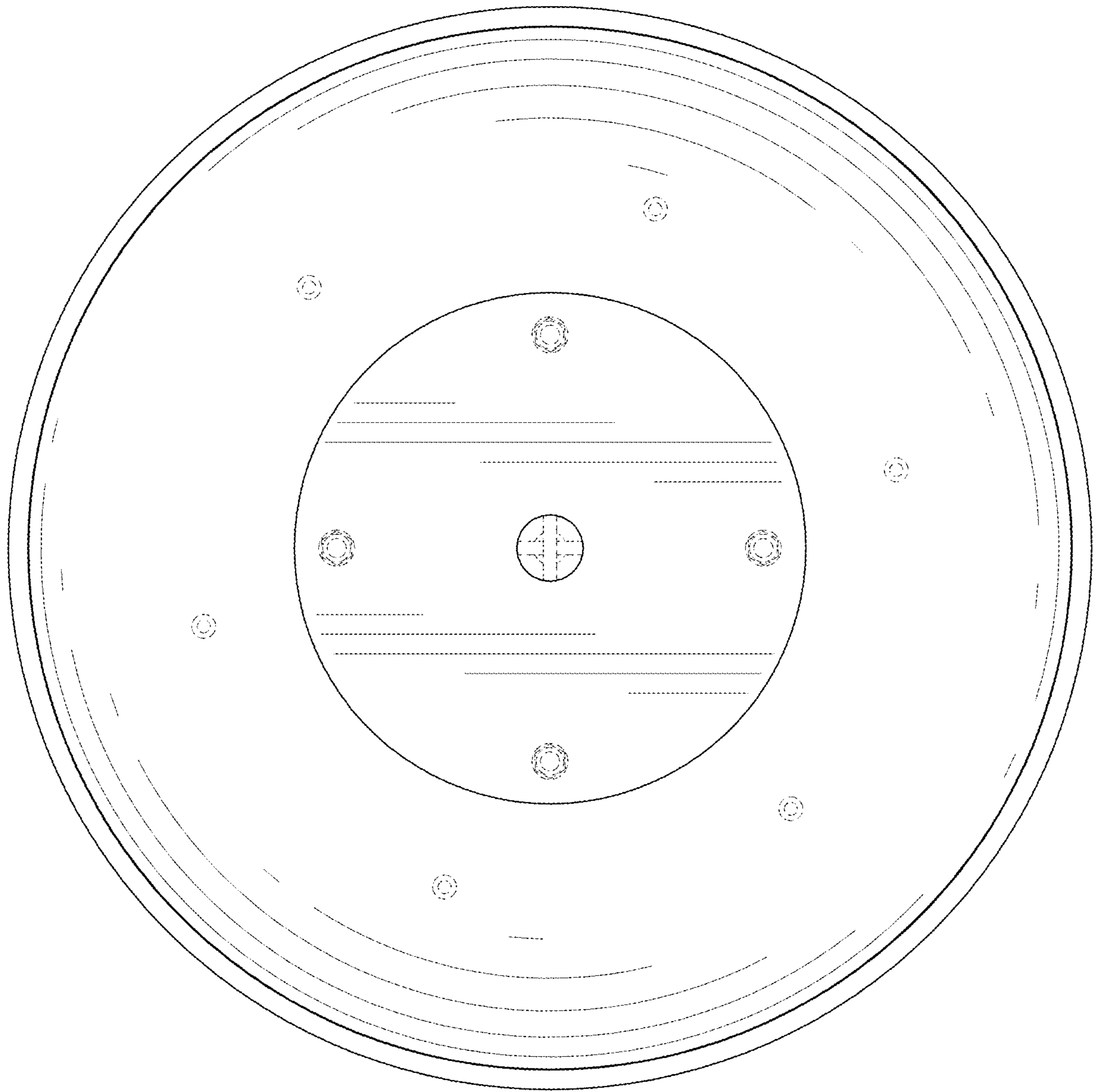


FIG. 8