



US00D942429S

(12) **United States Design Patent** (10) **Patent No.:** **US D942,429 S**
Liu (45) **Date of Patent:** **** Feb. 1, 2022**

(54) **ROUND ANTENNA WITH WINGS**
(71) Applicant: **David Liu**, San Dimas, CA (US)
(72) Inventor: **David Liu**, San Dimas, CA (US)
(**) Term: **15 Years**
(21) Appl. No.: **29/726,827**
(22) Filed: **Mar. 5, 2020**
(51) **LOC (13) Cl.** **14-03**
(52) **U.S. Cl.**
USPC **D14/230**
(58) **Field of Classification Search**
USPC D14/230–238, 238.1, 243, 299, 358, 217,
D14/138; D13/182
CPC H01Q 1/243; H01Q 1/36; H01Q 1/38;
H01Q 1/50; H01Q 7/00; H01Q 9/0407;
H01Q 9/045; H01Q 9/285; H04B 1/034;
H04B 1/0475; H04B 2001/0408; H05K
11/00
See application file for complete search history.

(56) **References Cited**
U.S. PATENT DOCUMENTS
D222,145 S * 10/1971 Winegard D14/230
D253,014 S * 9/1979 Shiihashi D26/26
D327,690 S * 7/1992 Ogawa D14/230
D346,598 S * 5/1994 McCay D14/243
D363,935 S * 11/1995 McGreevy D14/230
D426,233 S * 6/2000 Chrisey D14/230
D427,183 S * 6/2000 Chrisey D14/230
D698,765 S * 2/2014 Bremaud D14/231
D791,109 S * 7/2017 Wallace D14/233
D807,863 S * 1/2018 Ploetz D14/230
D829,696 S * 10/2018 Wallace D14/233

OTHER PUBLICATIONS
LAVA OmniPro HD-8008 omni-directional HDTV Antenna, www.google.com, Nov. 25, 2015. <https://www.google.com/shopping/>

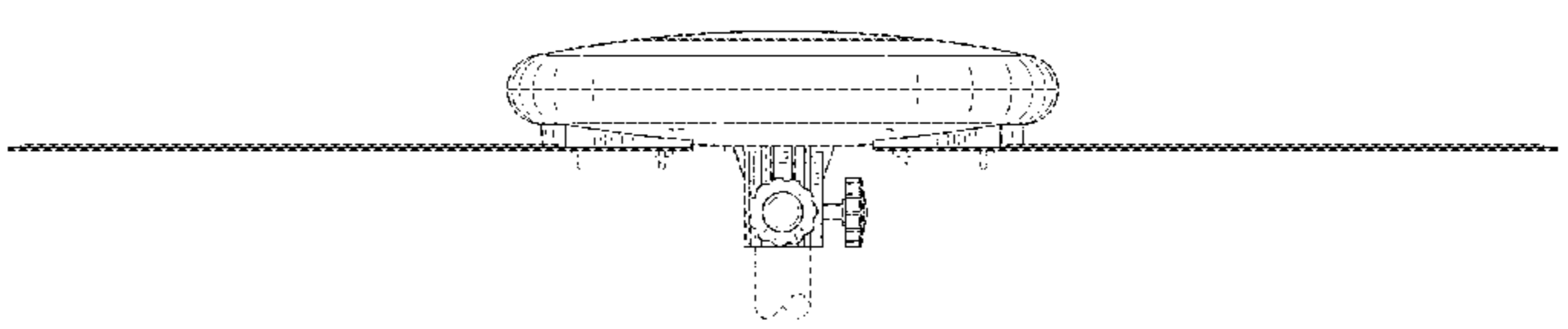
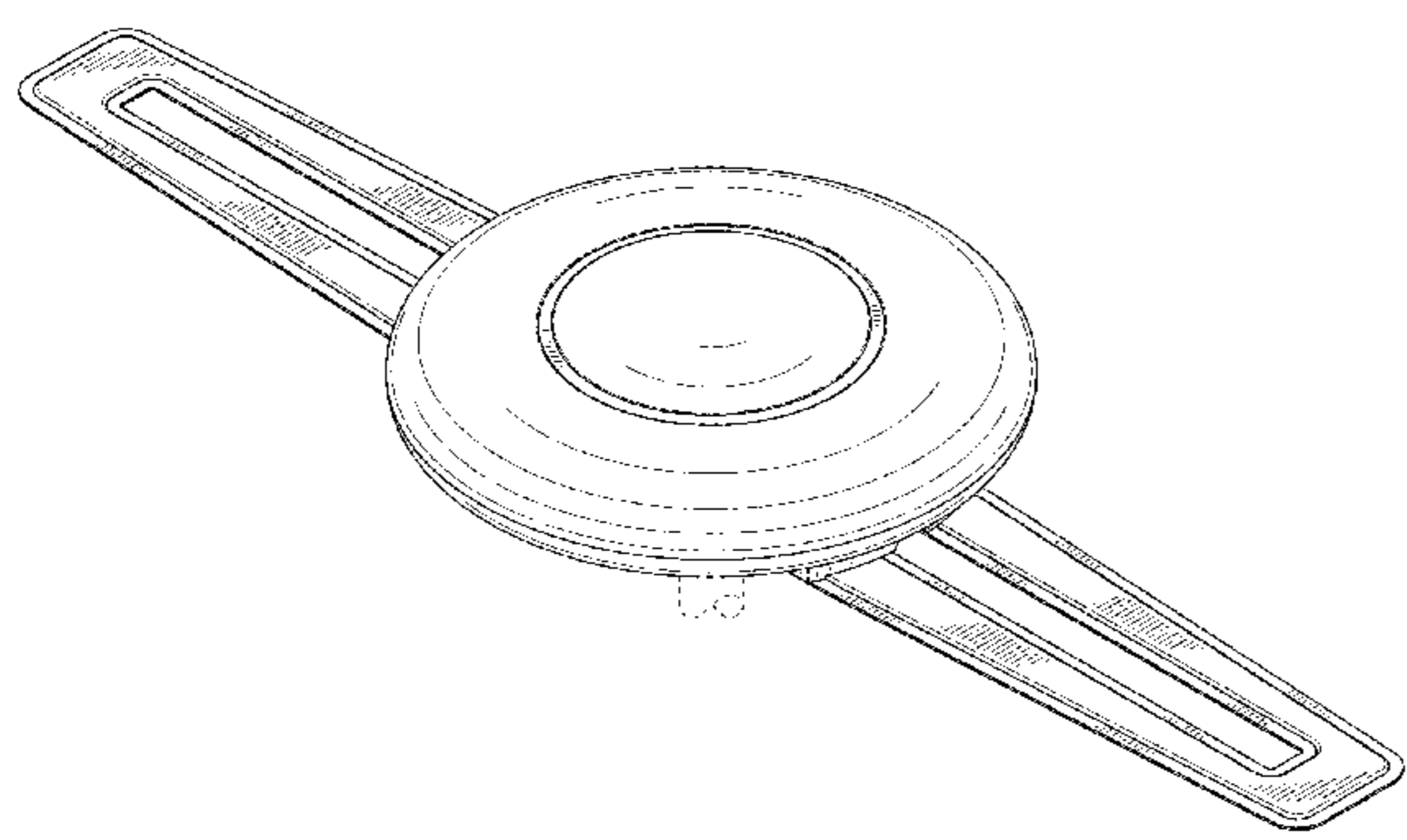
product/11668466198942549854?q=TV+antenna+x+shape&utm_medium=tu_prop&utm_content=eid-lsjeuxoeqt&utm_campaign=428666&prds=eto:4108588476593937952_0 (Year: 2015).
Missing RV Antenna, www.coastresorts.com, Jul. 1, 2017. <https://www.coastresorts.com/cforum/index.cfm/fuseaction/thread/tid/29343635/print/true.cfm> (Year: 2017).
Five Star [Newest 2020] HDTV Antenna—360° Omnidirectional Amplified Outdoor TV Antenna up to 150 Miles, Amazon.com, Jan. 23, 2020. <https://www.amazon.com/dp/B0845Y7DGS/> (Year: 2020).*

* cited by examiner
Primary Examiner — Llorellys Martinez
Assistant Examiner — Kwabena A. Ankobiah
(74) *Attorney, Agent, or Firm* — David L. Hoffman; Nolan Heimann LLP

(57) **CLAIM**
The ornamental design for a round antenna with wings, as shown and described.

DESCRIPTION
FIG. 1 is a perspective view of a round antenna with wings showing my new design;
FIG. 2 is a front elevational view thereof;
FIG. 3 is a rear elevational view thereof;
FIG. 4 is a left-side elevational view thereof;
FIG. 5 is a right-side elevational view thereof;
FIG. 6 is a top plan view thereof;
FIG. 7 is a bottom plan view thereof; and,
FIG. 8 is a sectional view, taken along the lines 8-8 in FIG. 7.
The broken lines in the drawings illustrate portions of the round antenna with wings that form no part of the claimed design.

1 Claim, 4 Drawing Sheets



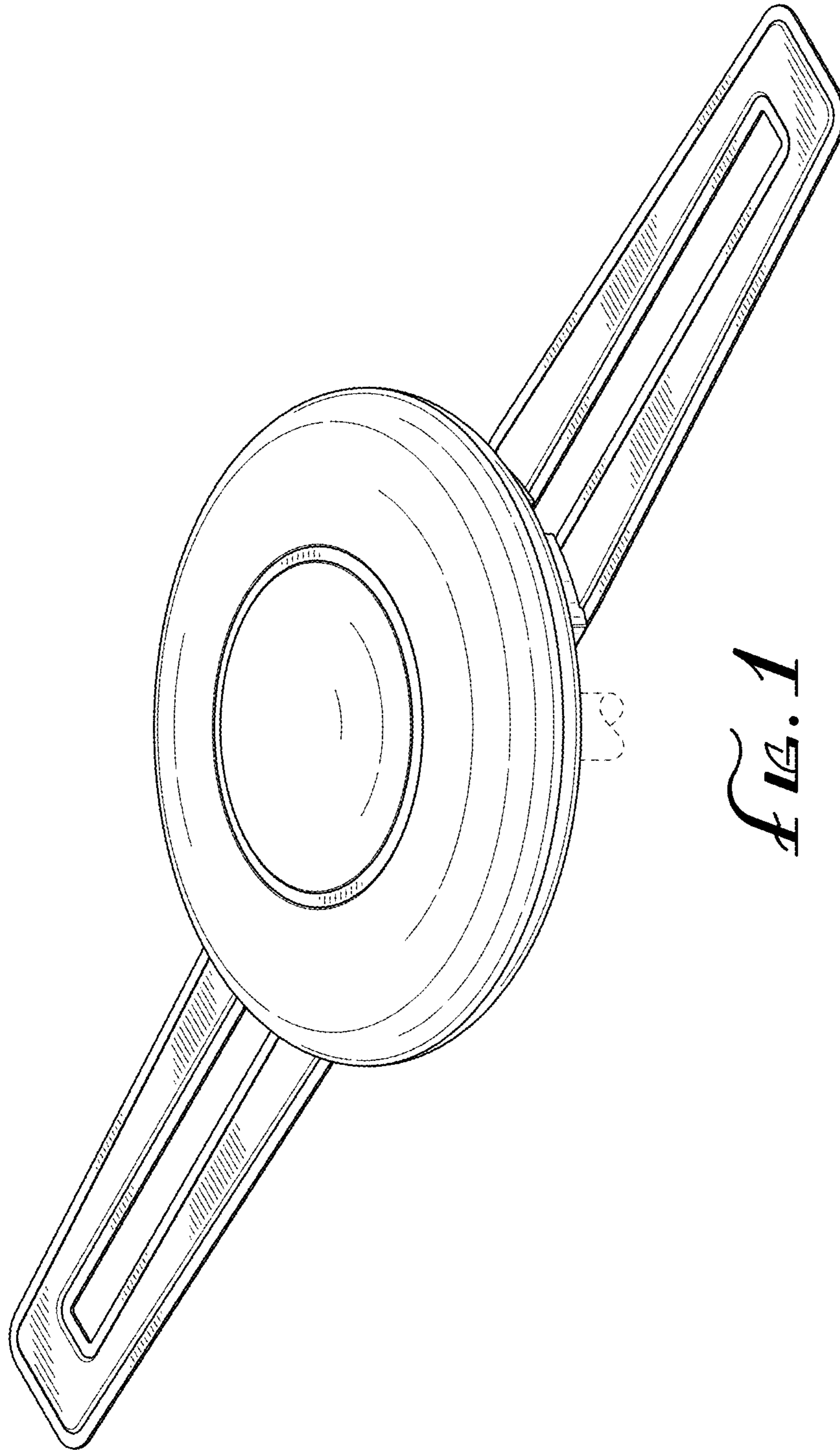


FIG. 1

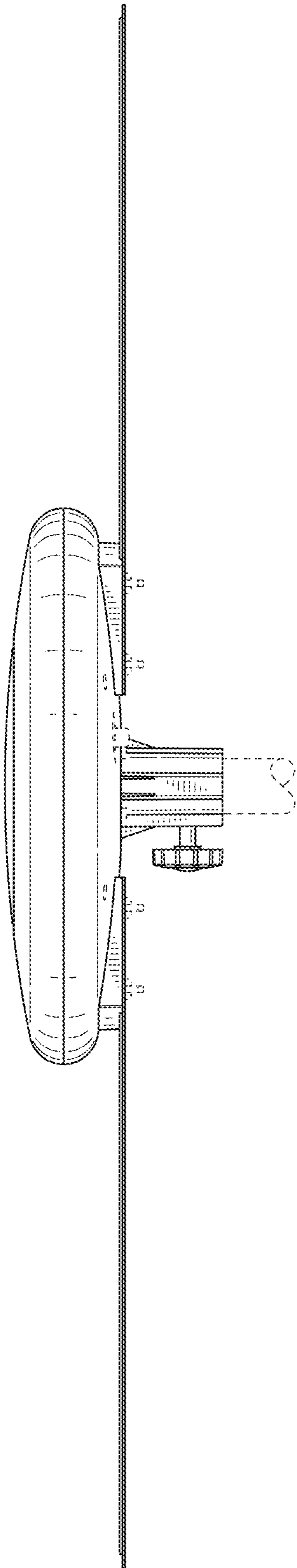


FIG. 2

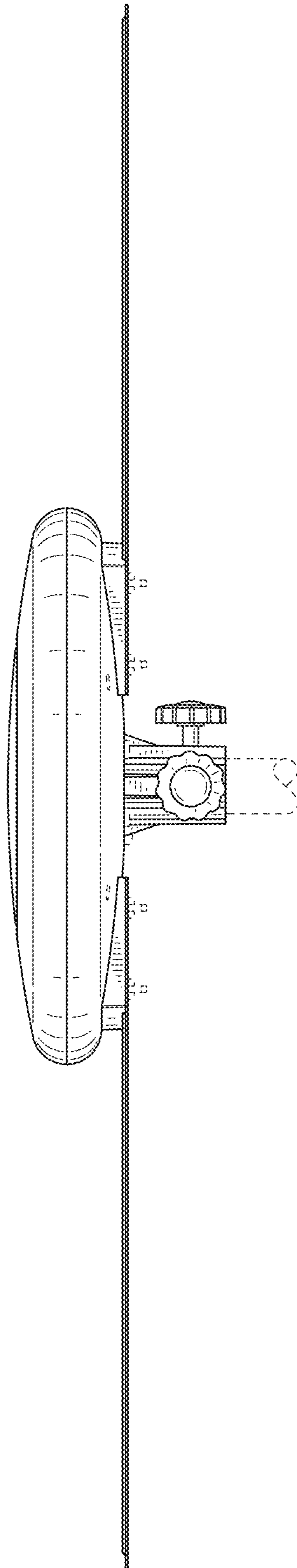


FIG. 3

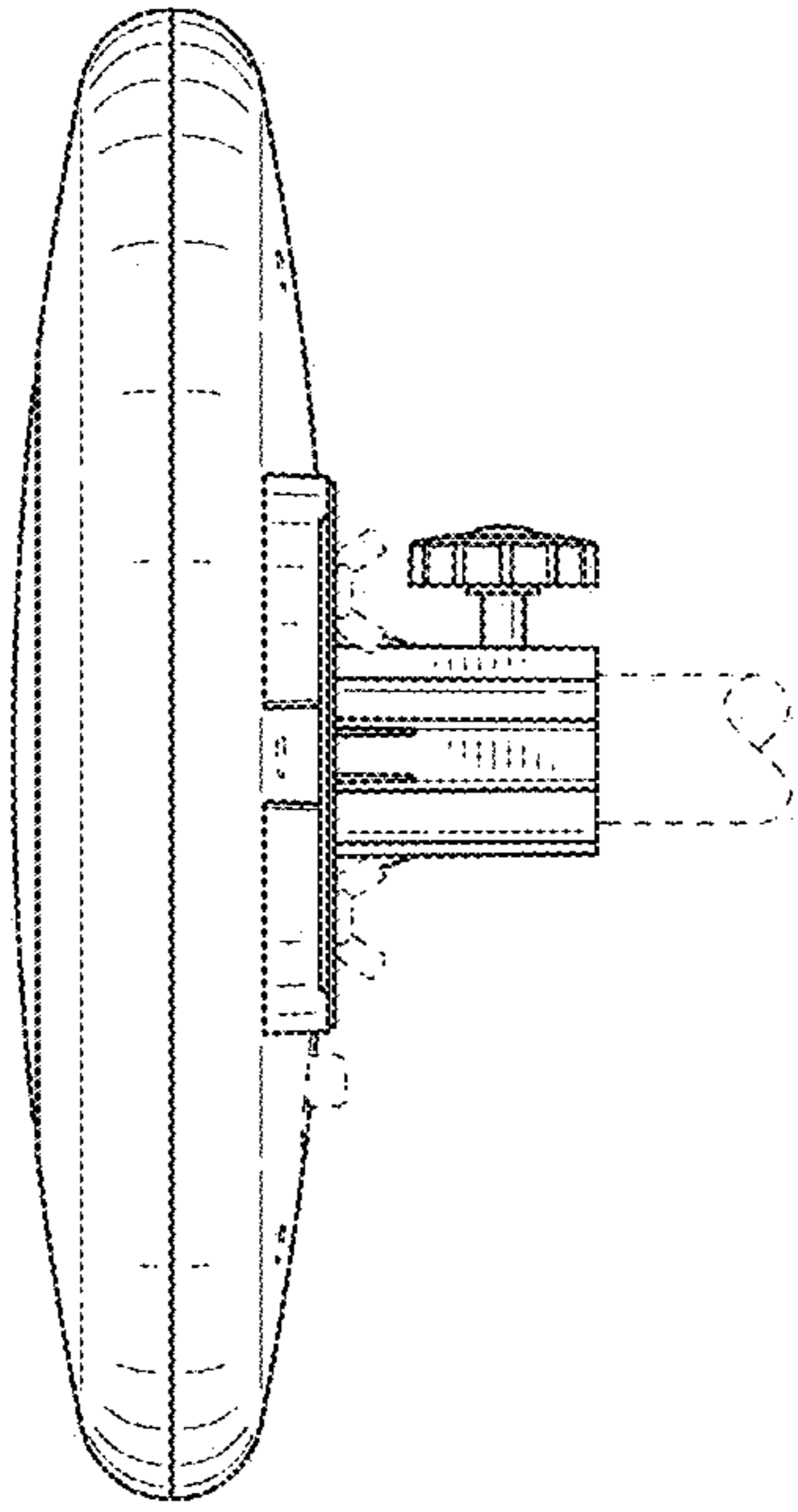


FIG. 4

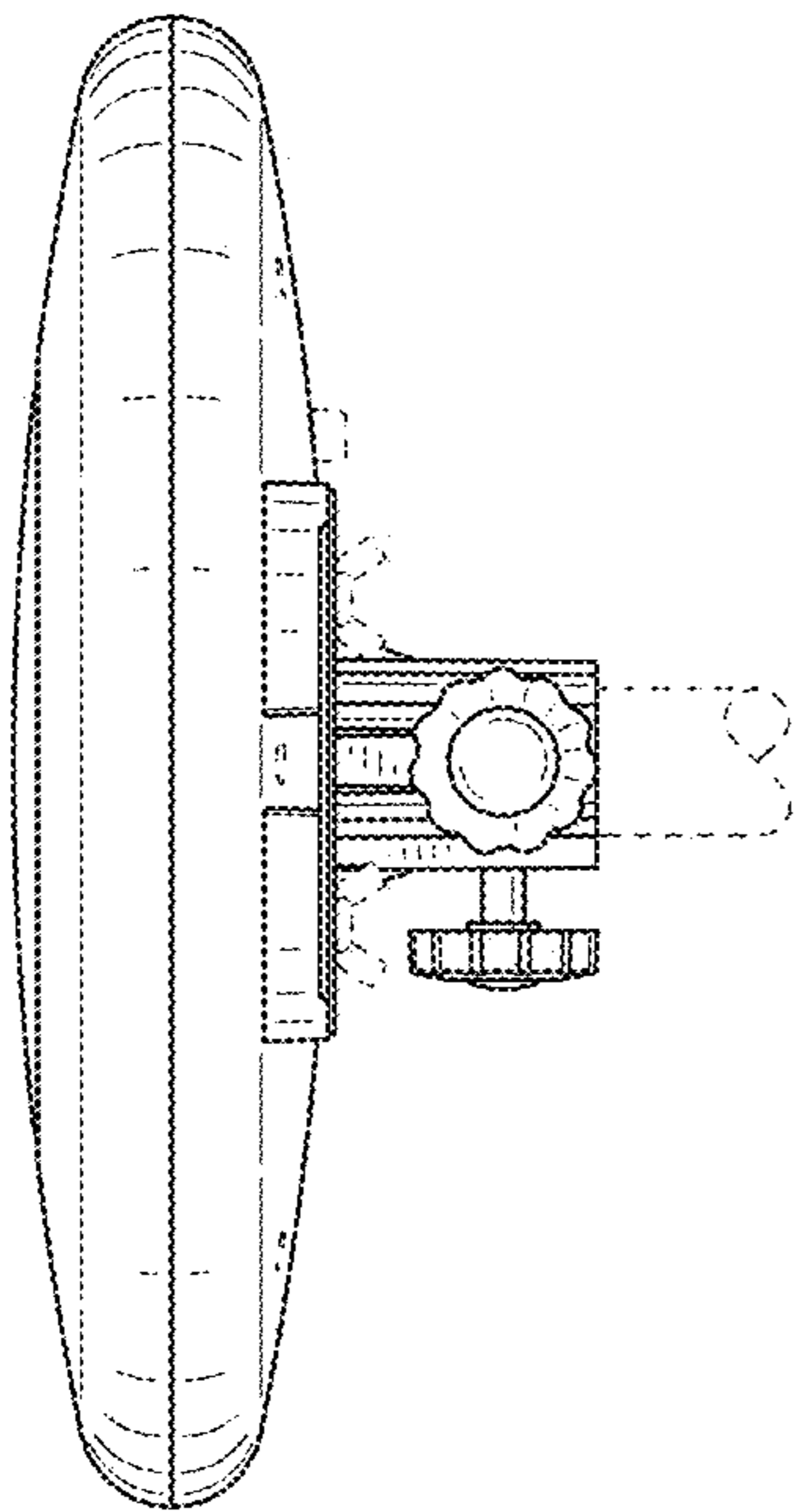


FIG. 5

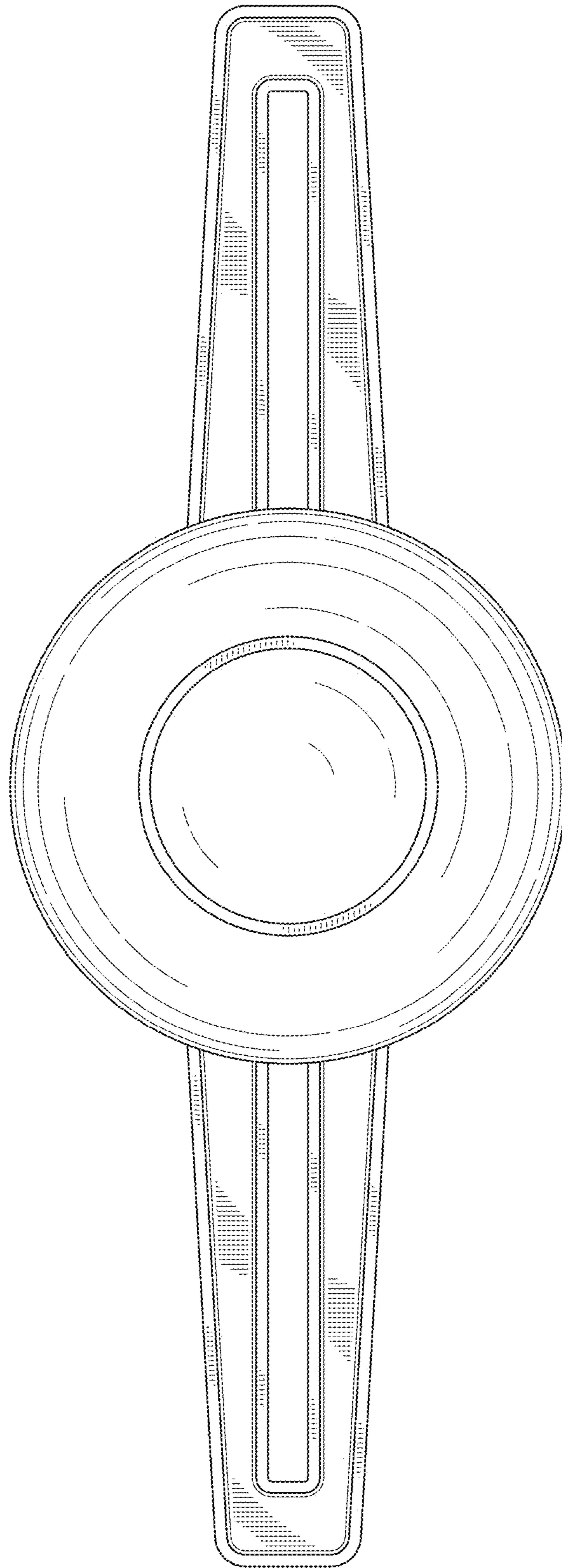


FIG. 6

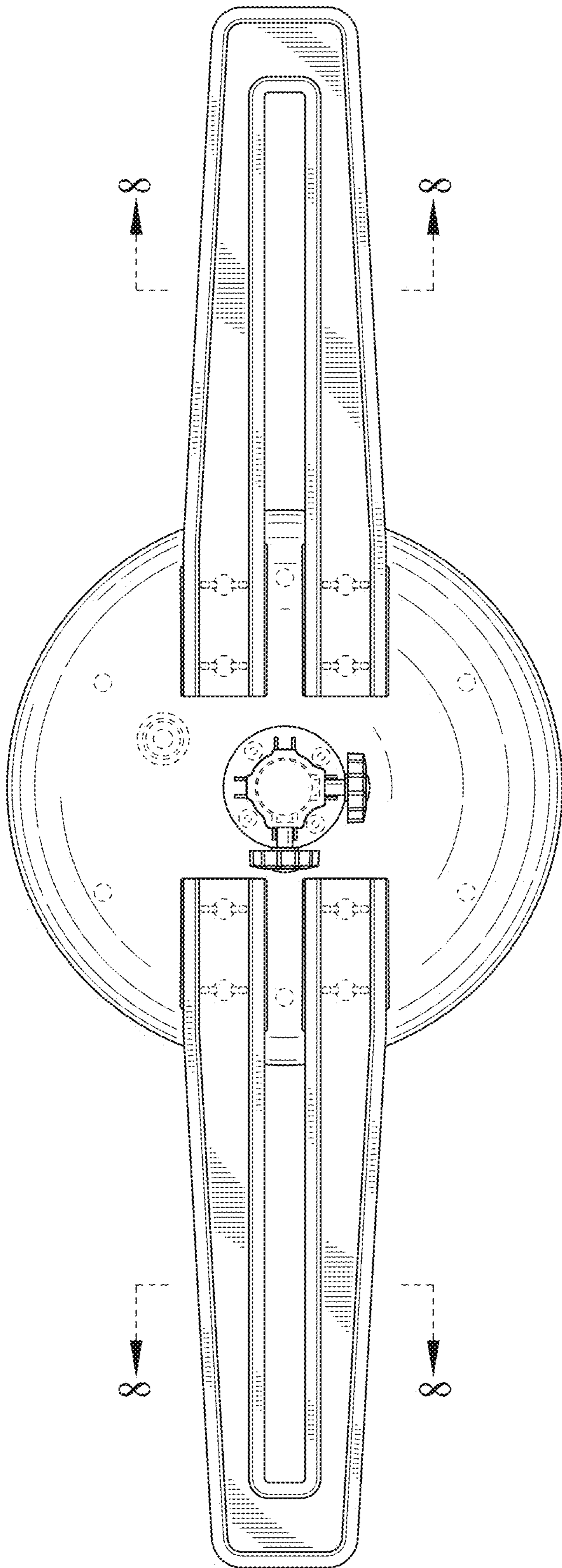


FIG. 7

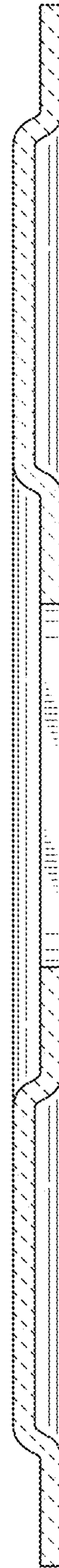


FIG. 8