

US00D942428S

(12) **United States Design Patent** (10) **Patent No.:** **US D942,428 S**  
**Zhao** (45) **Date of Patent:** **\*\* Feb. 1, 2022**

(54) **MICROPHONE**

(71) Applicant: **YEALINK (XIAMEN) NETWORK TECHNOLOGY CO., LTD.**, Fujian (CN)

(72) Inventor: **Chengfei Zhao**, Fujian (CN)

(73) Assignee: **YEALINK (XIAMEN) NETWORK TECHNOLOGY CO., LTD.**, Xiamen (CN)

(\*\*) Term: **15 Years**

(21) Appl. No.: **29/730,721**

(22) Filed: **Apr. 7, 2020**

(51) **LOC (13) Cl.** ..... **14-01**

(52) **U.S. Cl.**  
USPC ..... **D14/225**

(58) **Field of Classification Search**  
USPC ..... D14/204, 209, 209.1, 210, 211, 212, 15, D14/217, 221, 222, 224, 224.1, 225, 226, D14/227, 229, 251, 149, 253, 466; D6/682, 675.1, 672, 673  
CPC ... G10G 5/00; A47B 61/04; A47F 7/00; A47F 7/0028; A47F 7/0035; A47F 7/0042; A47F 5/04; A47J 47/16; H04R 19/04; H04R 19/00; H04R 1/406; H04R 1/08; H04R 1/04; H04R 1/326; H04R 29/004; H04R 2410/00; H04R 2410/01; H04R 2410/03; H04R 2410/05; H04R 2410/07; H04R 2420/07; H04R 17/02  
See application file for complete search history.

(56) **References Cited**

**U.S. PATENT DOCUMENTS**

2,042,738 A \* 6/1936 Sharpnack ..... H04R 1/08 381/363  
D144,929 S \* 6/1946 Metzger ..... D21/513  
3,007,014 A \* 10/1961 Bentman ..... H04R 1/08 381/363

D328,571 S \* 8/1992 Hauser ..... D10/114.1  
D475,040 S \* 5/2003 LaPoint ..... D14/228  
D533,054 S \* 12/2006 Brassard ..... D8/373  
D563,309 S \* 3/2008 Richter ..... D12/415  
D568,292 S \* 5/2008 Tsuge ..... D14/211  
7,971,745 B2 \* 7/2011 Weiss ..... A24F 19/00 220/576  
D743,371 S \* 11/2015 Nardin ..... D14/209.1  
9,249,970 B1 \* 2/2016 Kunzer ..... F16M 11/28

(Continued)

**FOREIGN PATENT DOCUMENTS**

CN 304678141 \* 6/2018  
CN 306541289 \* 5/2021  
JP D1682000 \* 3/2021

**OTHER PUBLICATIONS**

Yealink VCM38 Ceiling Microphone Array, no announcement date [online], retrieved Jul. 28, 2021, retrieved from internet, <https://www.vectordigitals.net/product/yealink-vc38-ceiling-microphone-array-dubai/>.\*

(Continued)

*Primary Examiner* — Dana K Weiland  
*Assistant Examiner* — Messina L Smith

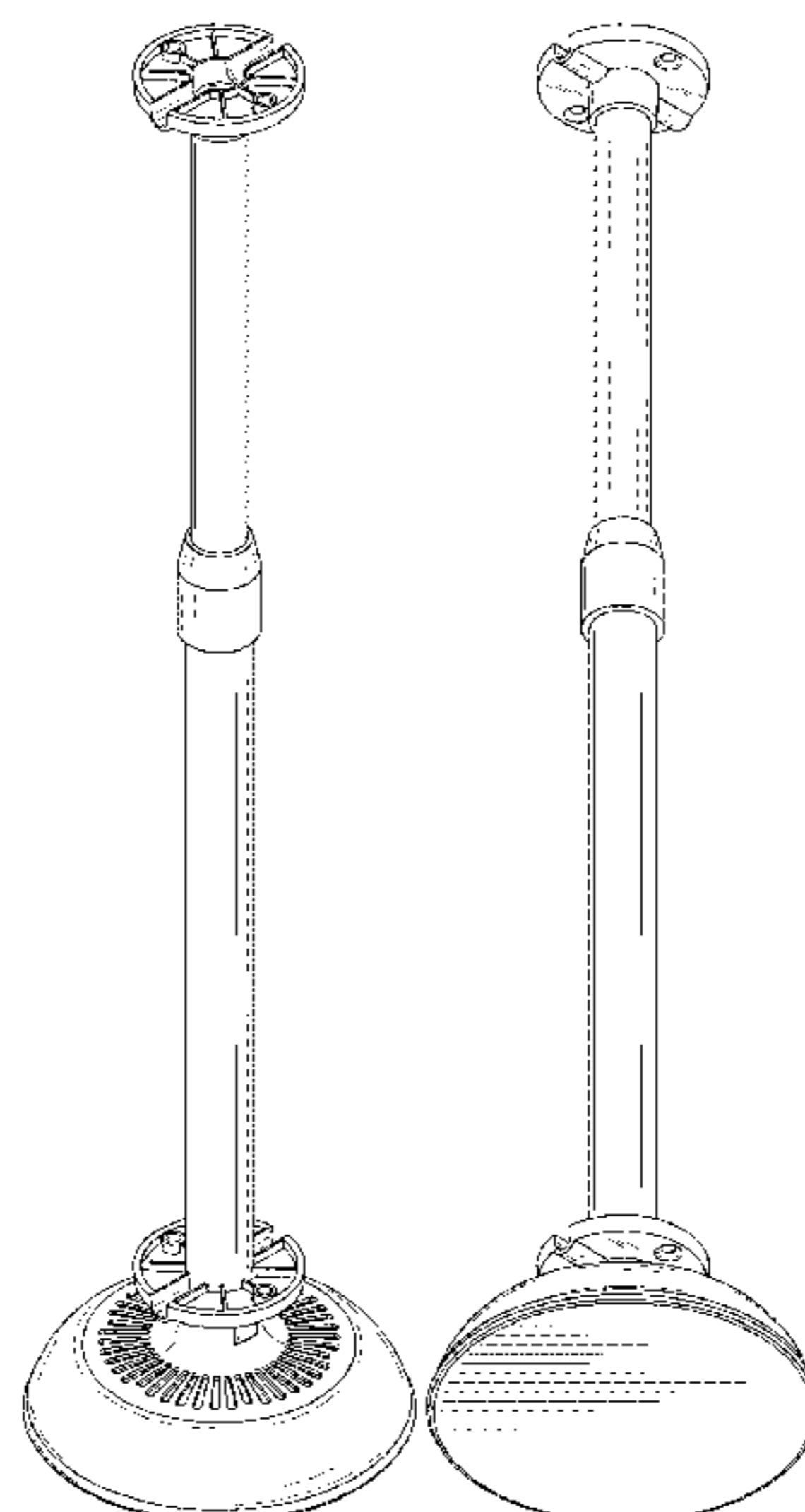
(57) **CLAIM**

The ornamental design for a microphone, as shown and described.

**DESCRIPTION**

FIG. 1 is a front elevational view of a microphone showing my new design;  
FIG. 2 is a rear elevational view thereof;  
FIG. 3 is a left side view thereof;  
FIG. 4 is a right side view thereof;  
FIG. 5 is a top plan view thereof;  
FIG. 6 is a bottom plan view thereof;  
FIG. 7 is a top perspective view thereof; and,  
FIG. 8 is a bottom perspective view thereof.

**1 Claim, 4 Drawing Sheets**



(56)

**References Cited**

U.S. PATENT DOCUMENTS

D803,840 S \* 11/2017 Burmester ..... D14/447  
9,982,696 B1 \* 5/2018 Hennessey ..... F16M 11/04  
D843,978 S \* 3/2019 Puckett ..... D14/227  
D851,066 S \* 6/2019 Hsu ..... D14/209.1  
D862,453 S \* 10/2019 Liang ..... D14/253  
D891,834 S \* 8/2020 Lind ..... D6/682  
D902,987 S \* 11/2020 Liu ..... D16/244

OTHER PUBLICATIONS

Yealink VCM38, announced 2021 [online], retrieved Jul. 28, 2021, retrieved from internet, <https://voiplaza.com/en/termekek/video-conferencing/yealink-vcm38-voiplaza>.\*

Tri-Element Hanging Ceiling Microphone, announced © 2021 [online], retrieved Jul. 28, 2021, retrieved from internet, <https://audixusa.com/products/m3/>.\*

ClearOne 910-001-013-W Ceiling Microphone Array Kit, announced Apr. 23, 2020 [online], retrieved Jul. 28, 2021, retrieved from internet, <https://www.ebay.com/itm/274114479242?chn=ps&mkevt=1&mkcid=28>.\*

\* cited by examiner

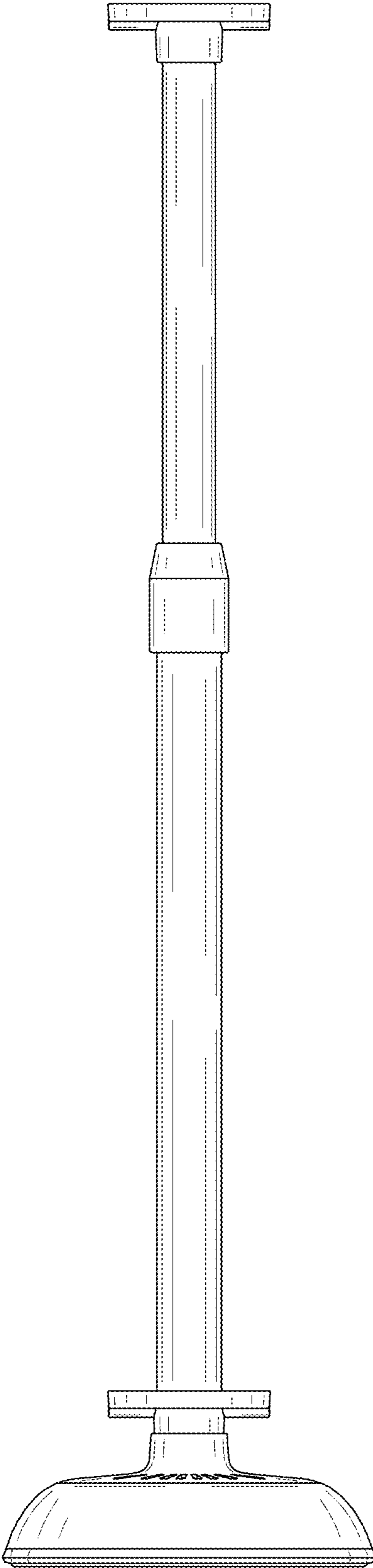


FIG. 1

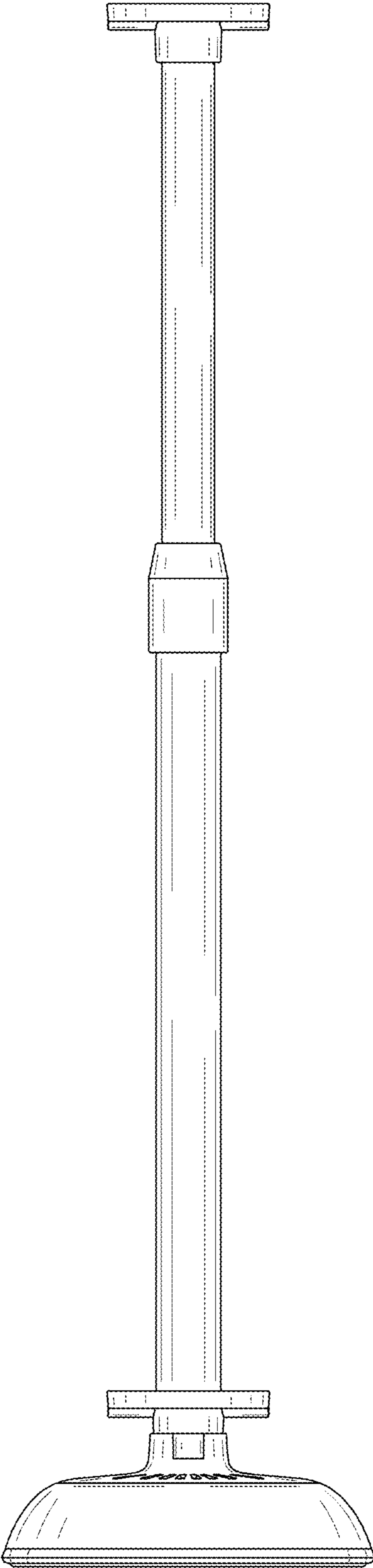


FIG. 2

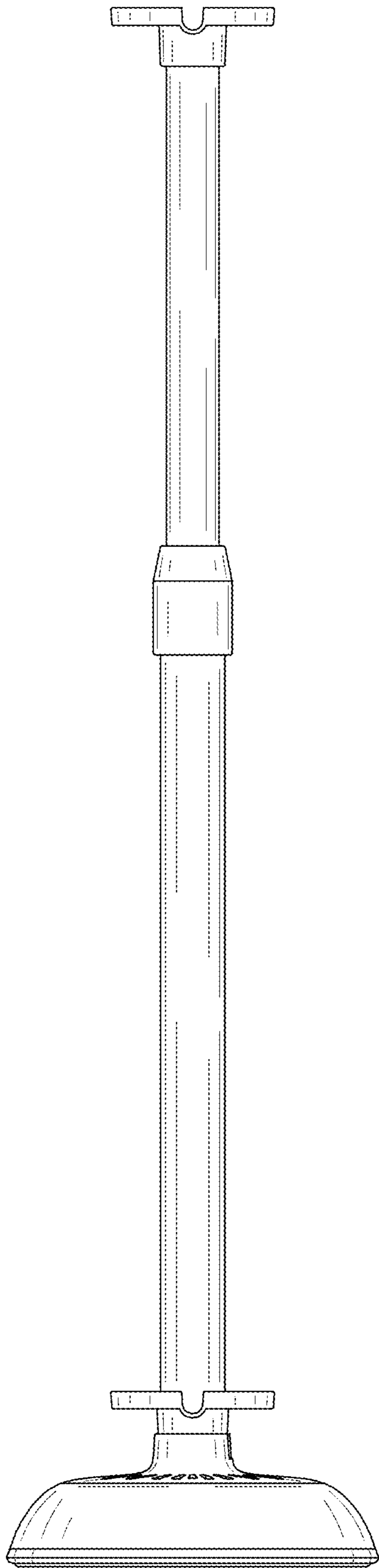


FIG.3

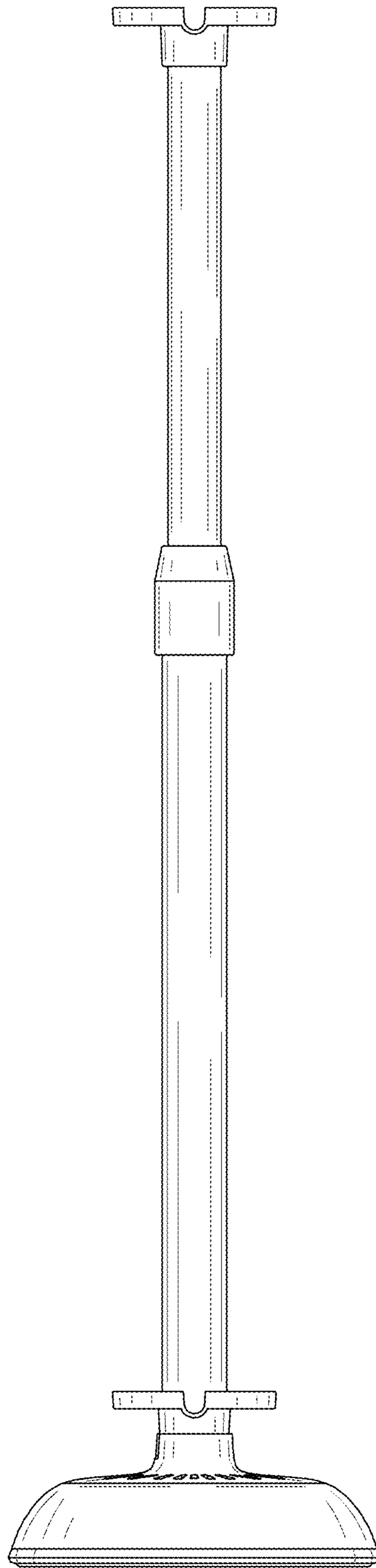


FIG.4

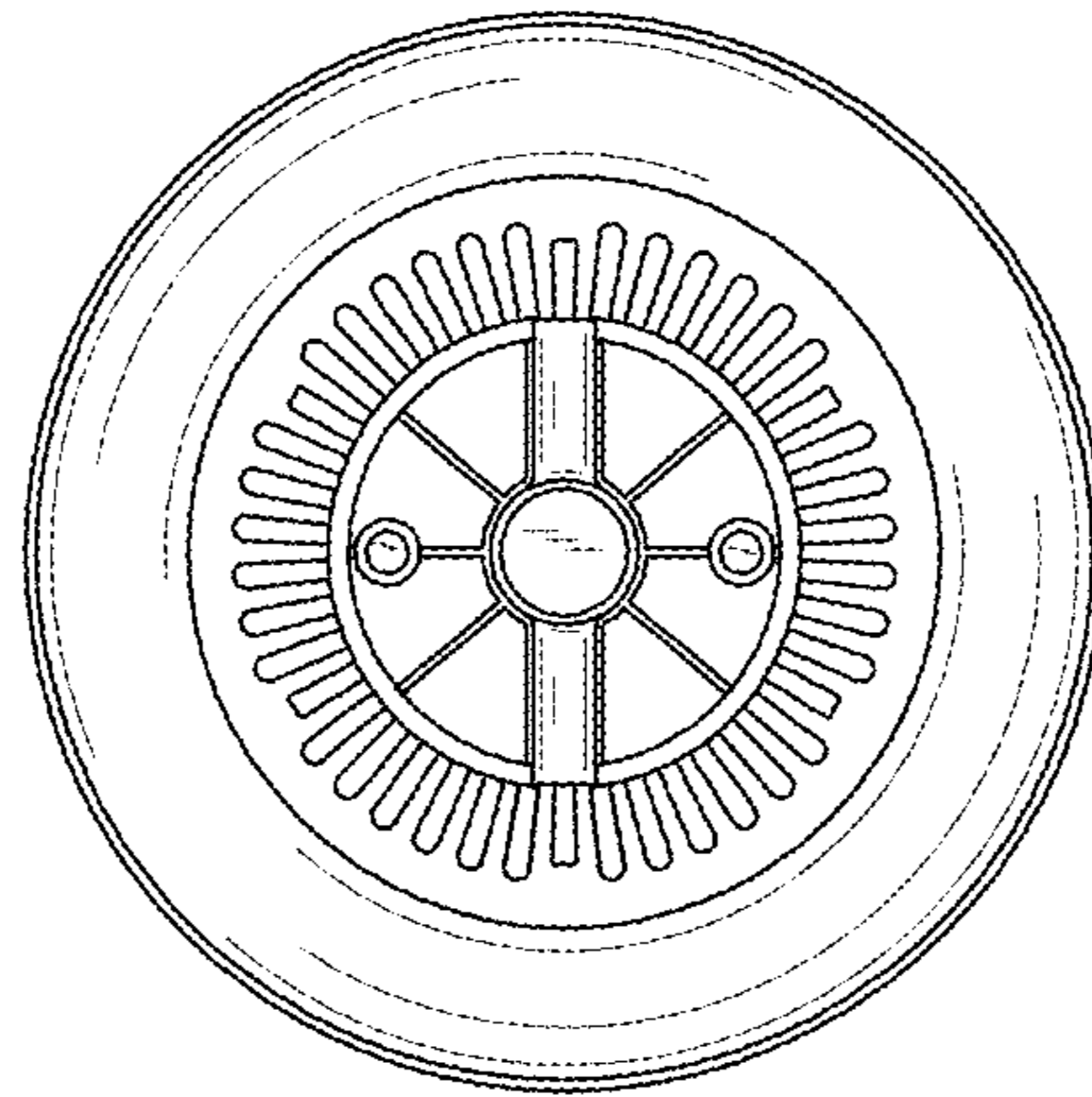


FIG. 5

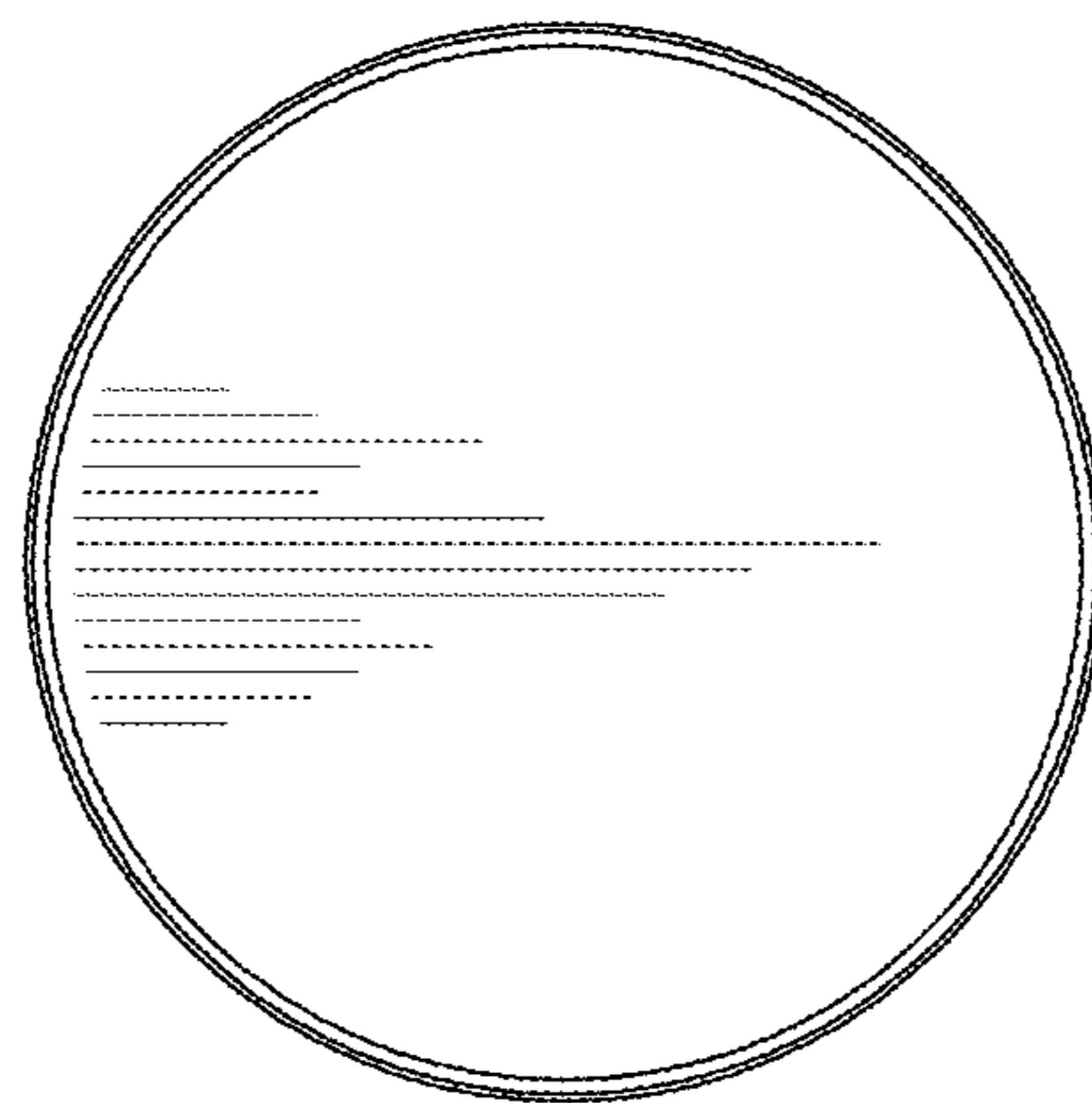


FIG. 6



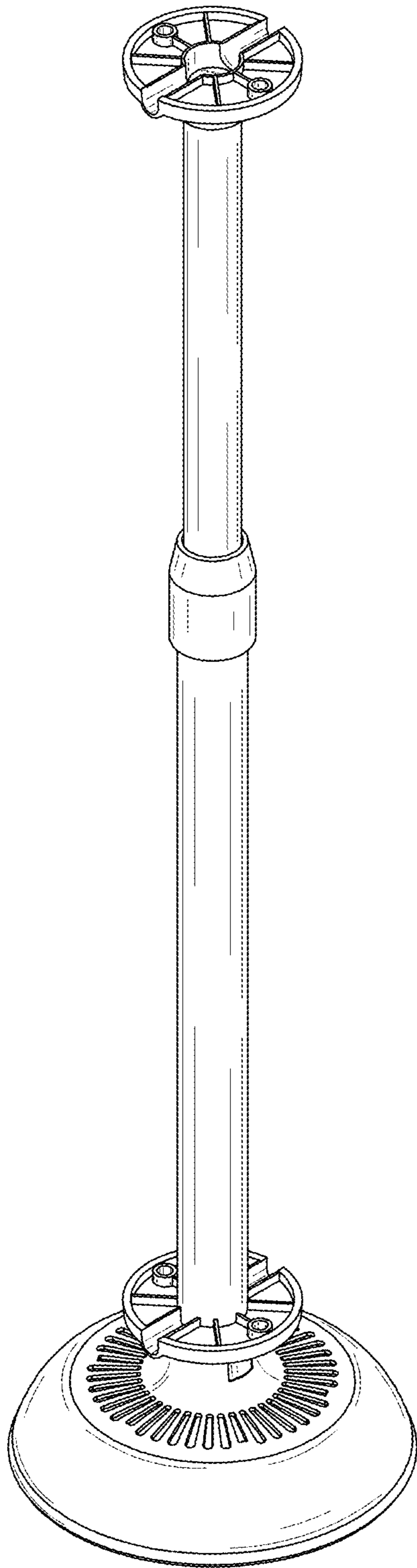


FIG. 7

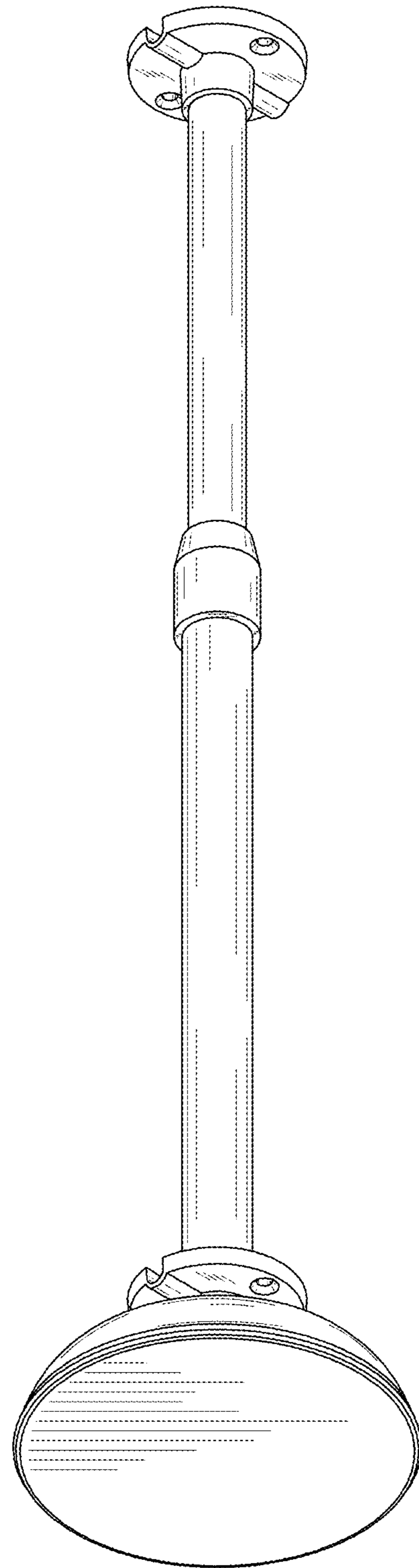


FIG. 8