

US00D942424S

(12) **United States Design Patent** (10) **Patent No.:** **US D942,424 S**
Ye (45) **Date of Patent:** **** Feb. 1, 2022**

(54) **PAIR OF EARPHONES**
(71) Applicant: **Rongqiang Ye**, Guangdong (CN)
(72) Inventor: **Rongqiang Ye**, Guangdong (CN)
(73) Assignee: **Phoesonic Technology Co., Ltd.**,
Shenzhen (CN)
(**) Term: **15 Years**
(21) Appl. No.: **29/737,667**

D921,615 S * 6/2021 Wu D14/223
D924,209 S * 7/2021 Wu D14/223
D924,852 S * 7/2021 Liu D14/223
D925,498 S * 7/2021 Lin D14/223
D925,499 S * 7/2021 Xie D14/223

(Continued)

FOREIGN PATENT DOCUMENTS

CN 306046688 * 9/2020
CN 306071439 * 9/2020
CN 306085480 * 10/2020

(Continued)

(22) Filed: **Jun. 11, 2020**
(51) **LOC (13) Cl.** **14-01**
(52) **U.S. Cl.**
USPC **D14/223**
(58) **Field of Classification Search**
USPC ... D14/205, 207, 217, 221, 223, 224, 224.1,
D14/225; D24/173, 174
CPC H04R 1/10; H04R 1/1016; H04R 1/1066;
H04R 1/105; H04R 1/1033; H04R 1/08;
H04R 5/033; H04R 5/0335; H04R 25/00
See application file for complete search history.

OTHER PUBLICATIONS

Can cheap wireless earbuds ever sound good? We put five budget brands to the test, announced Nov. 21, 2020 [online], retrieved Aug. 24, 2021, retrived from internet, <https://www.techradar.com/news/can-cheap-wireless-earbuds-ever-sound-good-we-put-five-budget-brands-to-the-test>.*

(Continued)

Primary Examiner — Dana K Weiland
Assistant Examiner — Messina L Smith
(74) *Attorney, Agent, or Firm* — Justin Lampel

(56) **References Cited**

U.S. PATENT DOCUMENTS

D887,396 S * 6/2020 Wang D14/223
D889,439 S * 7/2020 Hsieh D14/223
D894,875 S * 9/2020 Zhao D14/223
D896,206 S * 9/2020 Xu D14/223
D904,351 S * 12/2020 Zhang D14/223
D906,297 S * 12/2020 Akana D14/223
D907,010 S * 1/2021 Akana D14/223
D909,347 S * 2/2021 Akana D14/223
D910,600 S * 2/2021 Zhang D14/223
D910,601 S * 2/2021 Hu D14/223
D914,648 S * 3/2021 Zhou D14/223
D915,355 S * 4/2021 Xiang D14/223
D916,683 S * 4/2021 Yao D14/223
D918,178 S * 5/2021 Chen D14/223
D918,179 S * 5/2021 Zhao D14/223
D918,182 S * 5/2021 Chen D14/223

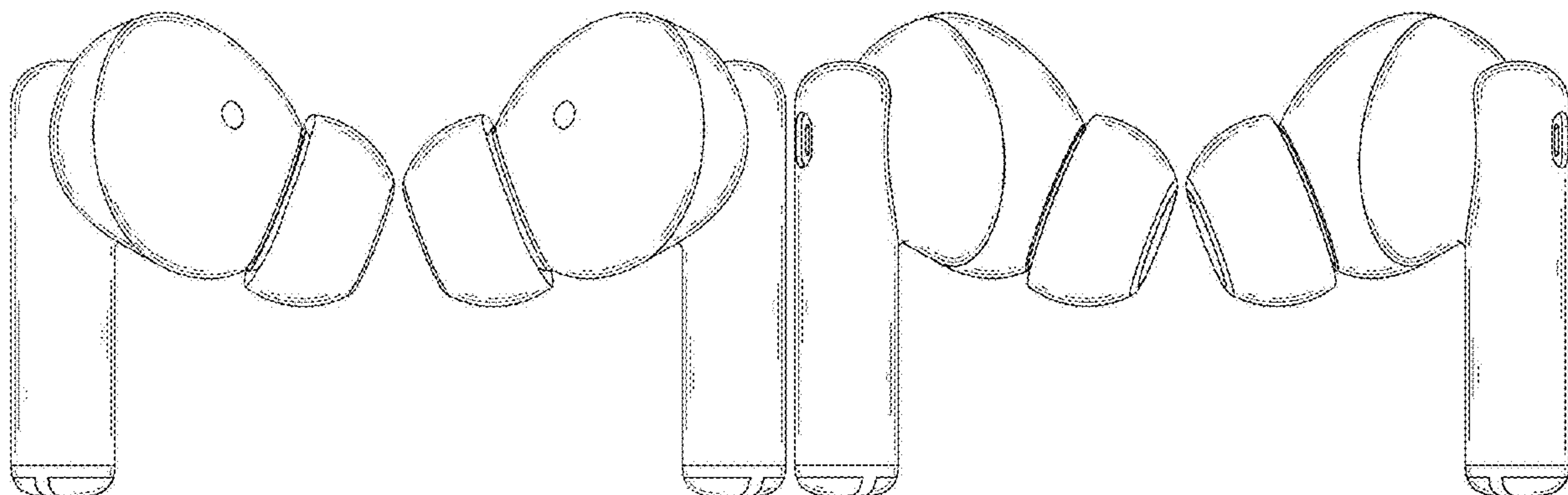
(57) **CLAIM**

The ornamental design for a pair of earphones, as shown and described.

DESCRIPTION

FIG. 1 is a front elevational view of a pair of earphones, showing the new design;
FIG. 2 is a rear elevational view thereof;
FIG. 3 is a left side view thereof;
FIG. 4 is a right side view thereof;
FIG. 5 is a top plan view thereof;
FIG. 6 is a bottom plan view thereof; and,
FIG. 7 is a perspective view thereof.

1 Claim, 5 Drawing Sheets



(56)

References Cited

U.S. PATENT DOCUMENTS

D925,500 S * 7/2021 Chen D14/223
D928,126 S * 8/2021 Chen D14/223

FOREIGN PATENT DOCUMENTS

CN 306085531 * 10/2020
CN 306752785 * 8/2021

OTHER PUBLICATIONS

Best True Wireless Earbuds Under Rs 5,000 In India In Jul. 2021, announced Jul. 13, 2021 [online], retrieved Aug. 24, 2021, retrived from internet, <https://www.news18.com/news/tech/best-true-wireless-earbuds-under-rs-5000-in-india-in-july-2021-3958823.html>.
Urbanista London wireless earbuds review, announced Aug. 2, 2020 [online], retrieved Aug. 24, 2021, retrived from internet, <https://www.laptopmag.com/reviews/urbanista-london-wireless-earbuds>.*

Wireless Earbuds, announced Jan. 29, 2021 [online], retrieved Aug. 24, 2021, retrived from internet, https://www.amazon.com/Otium-Cancelling-Headphones-Waterproof-Microphone/dp/B08VD4M8N7/ref=sr_1_19?dchild=1&keywords=wireless+earphones&qid=1629810049&sr=8-19.*

TWS Business Headset Wireless Earbuds, announced Apr. 29, 2020 [online], retrieved Aug. 24, 2021, retrived from internet, https://www.amazon.com/dp/B087TFSLD5/ref=sspa_dk_detail_5?psc=1&pd_rd_i=B087TFSLD5&pd_rd_w=vbED6&pf_rd_p=5d846283-ed3e-4512-a744-a30f97c5d738&pd_rd_wg=KdXRq&pf_rd_r=3QBZ79YEMCZ7H21BAM9Q&pd_rd_r=c7aea328-31f5-4962-8162-a0bd21824007&spLa=ZW5jcnlwdGVkUXVhbGlmaWVyPU EzRzZTWVA3Rjg3MTg0JmVuY3J5cHRIZEikPUEwMDI1NTg1M1MwMkpTODMyUFIXMSZlbnNyeXB0ZWZWRBZEikPUEwMDI1MjUxMU00UVk2MTIxNEFXRiZ3aWRnZXROYW1IPXNwX2RIdGFpbF90aGVtYXRpYyZhY3Rpb249Y2xpY2tSZWRpcmVjdCZkb05vdExvZ0NsaWNrPXRydWU=.*

* cited by examiner

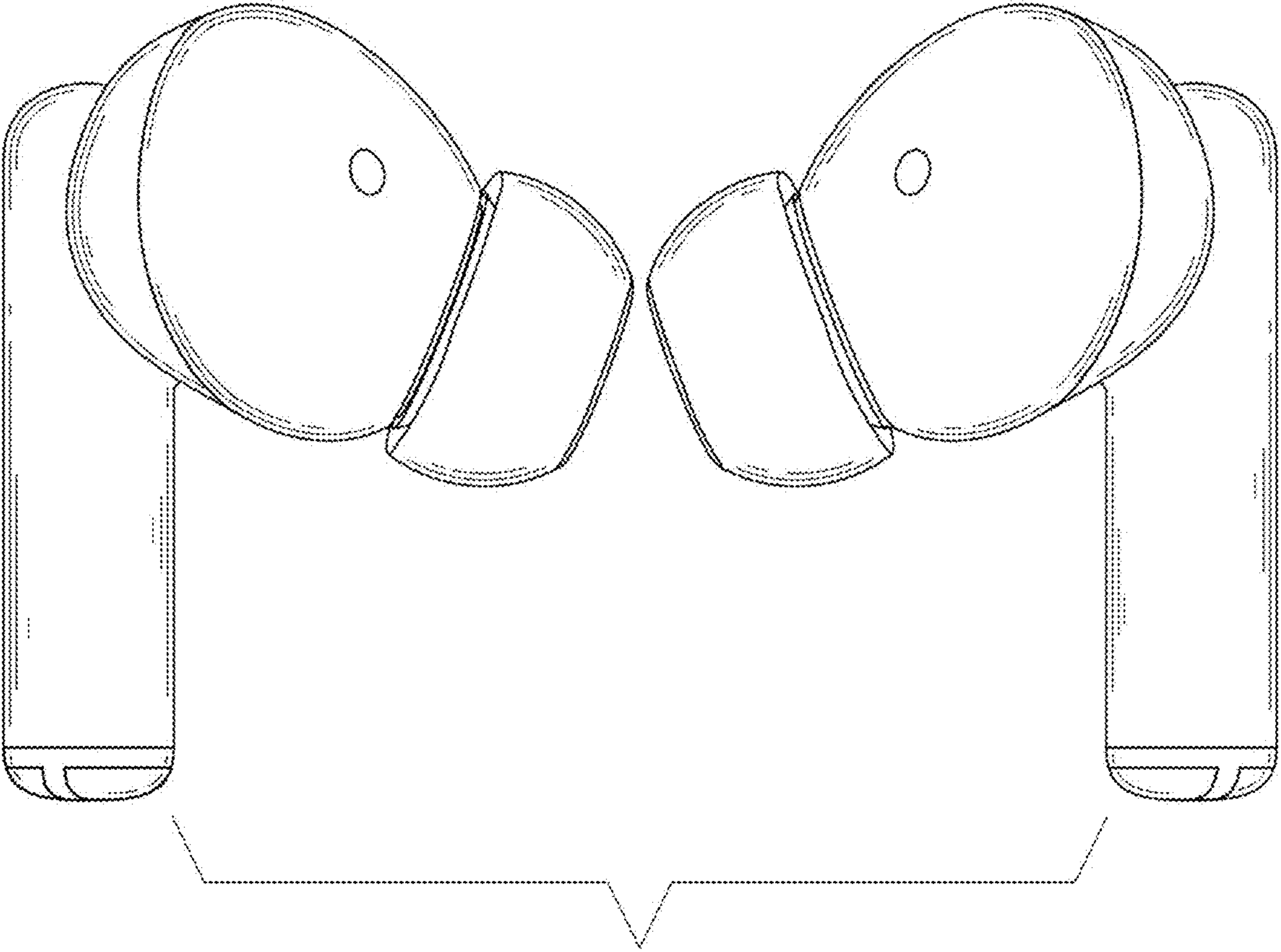


FIG. 1

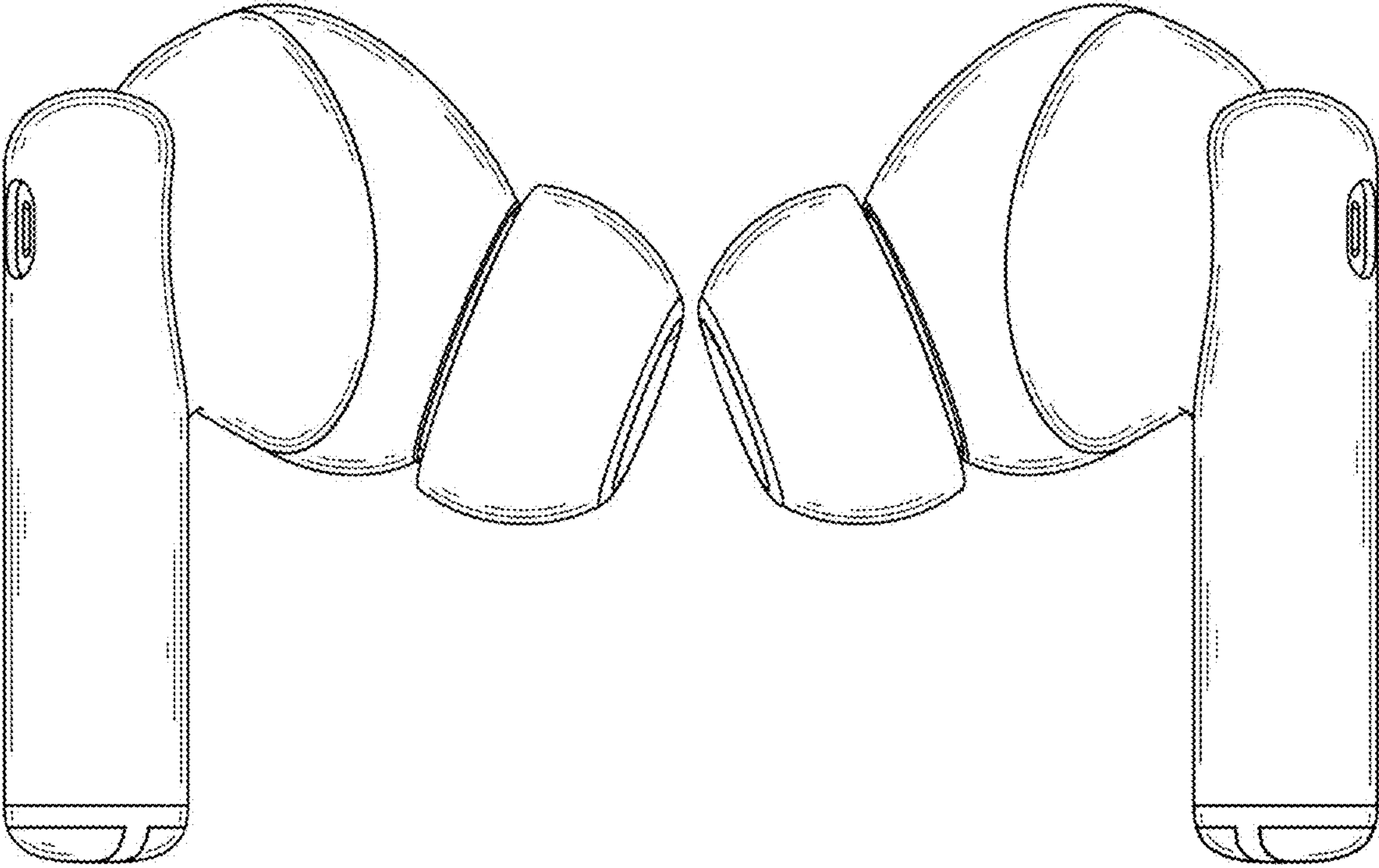


FIG. 2

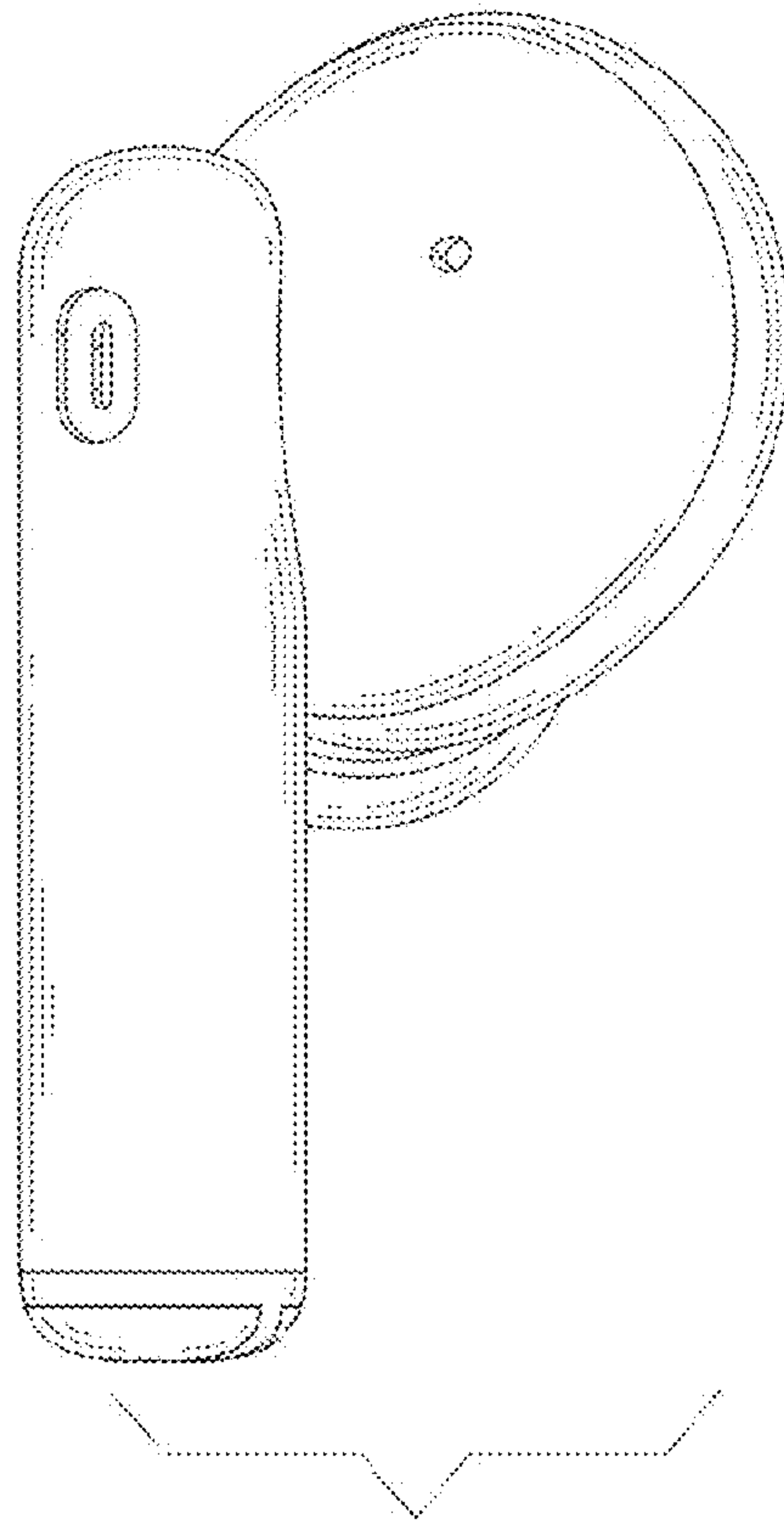


FIG.3

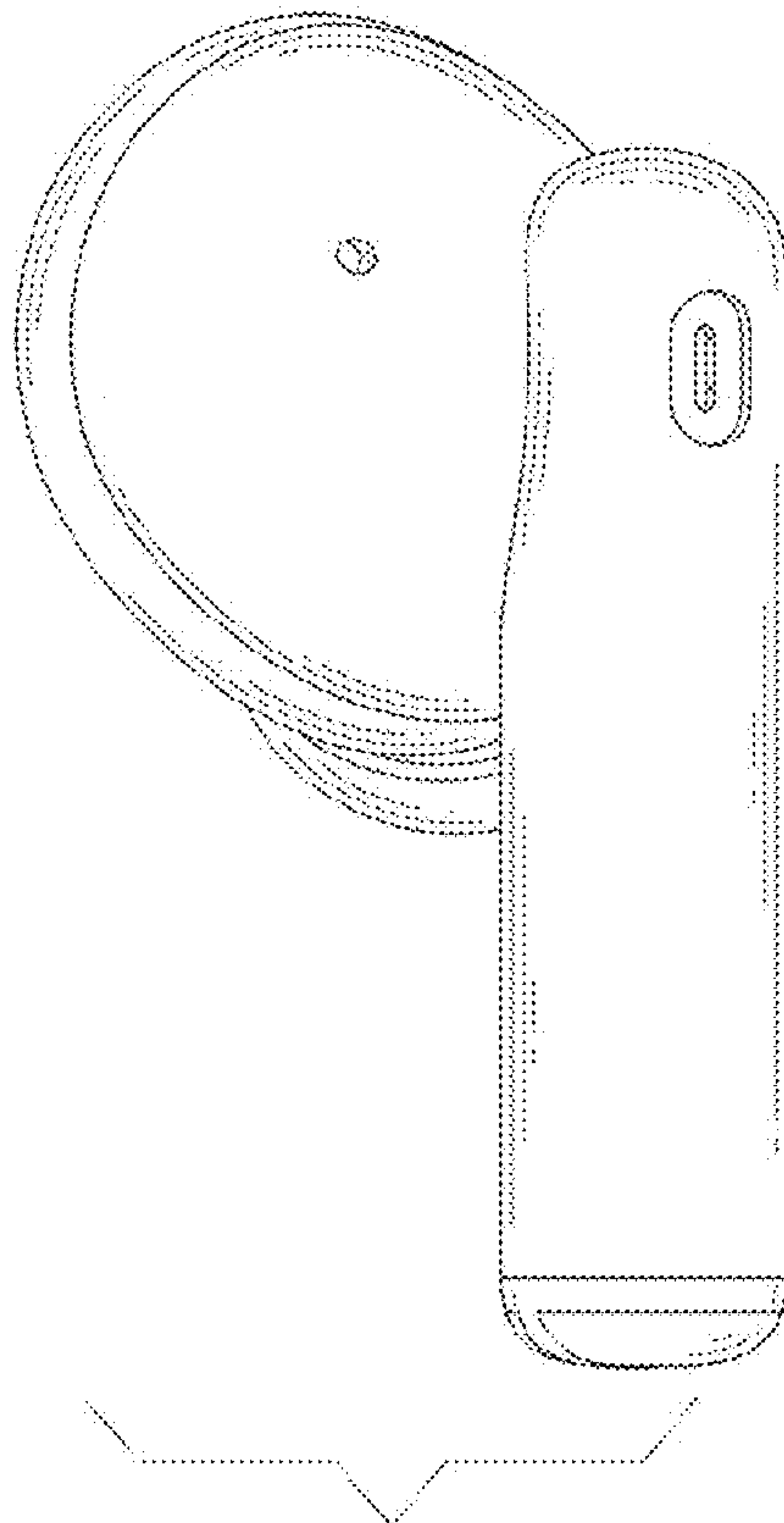


FIG.4

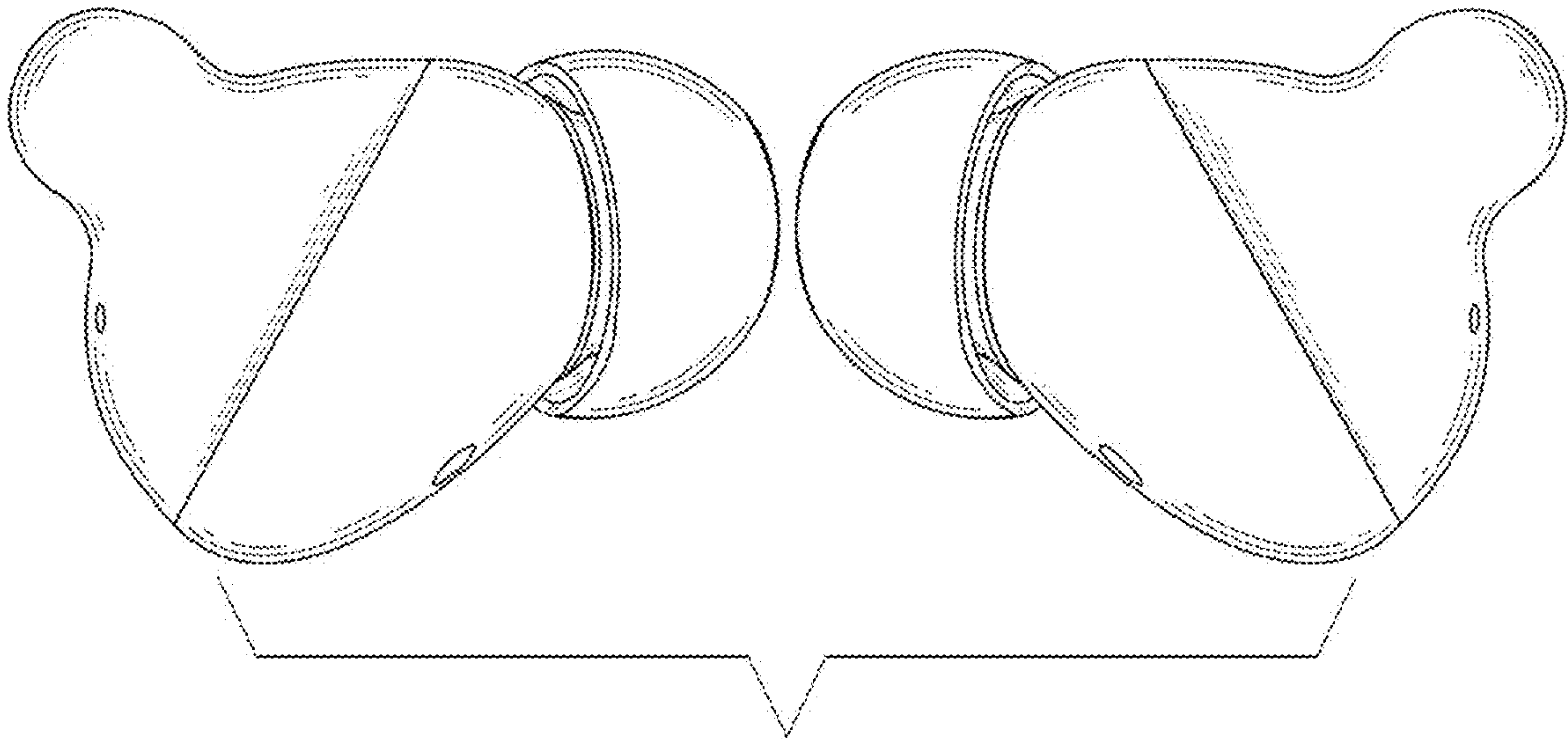


FIG. 5

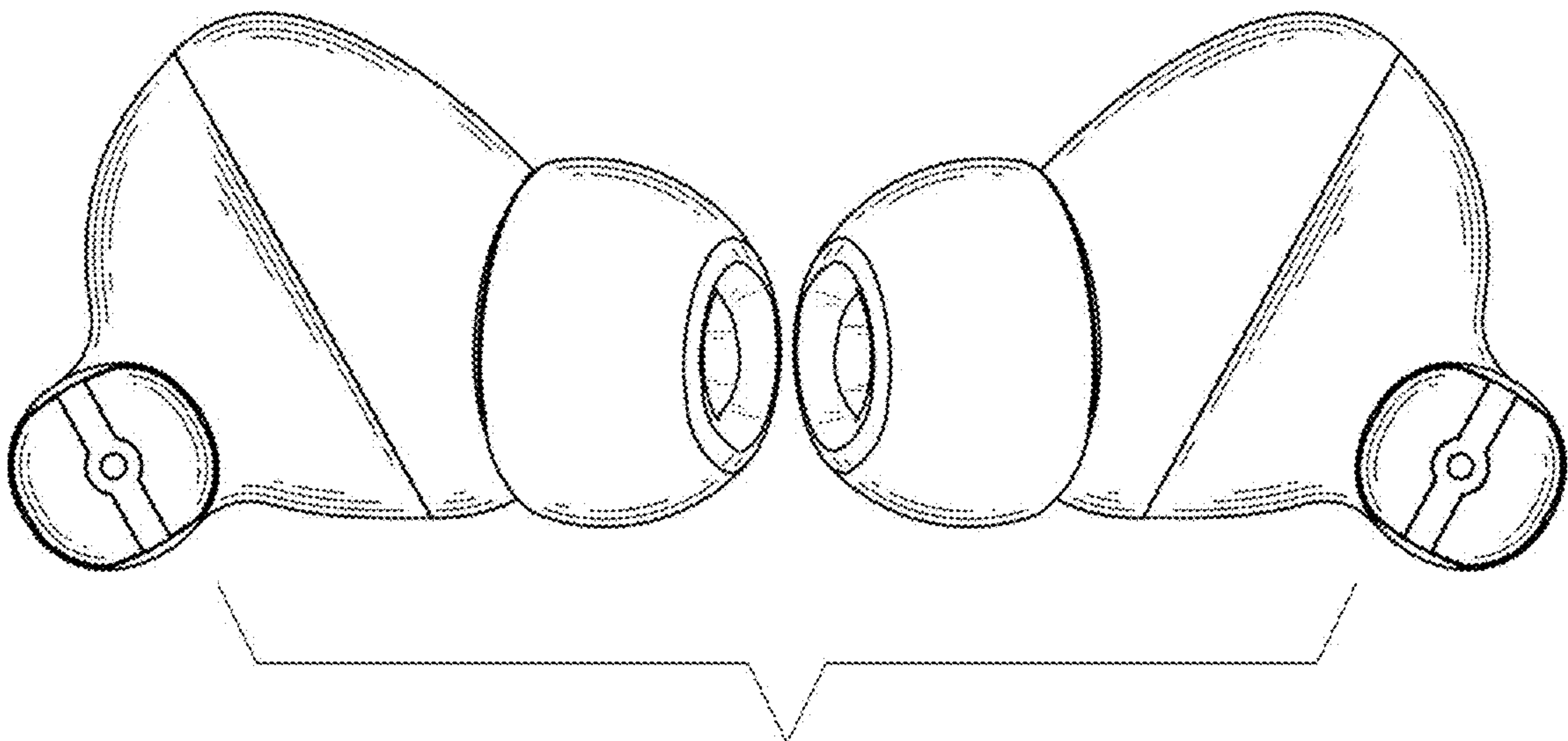


FIG. 6

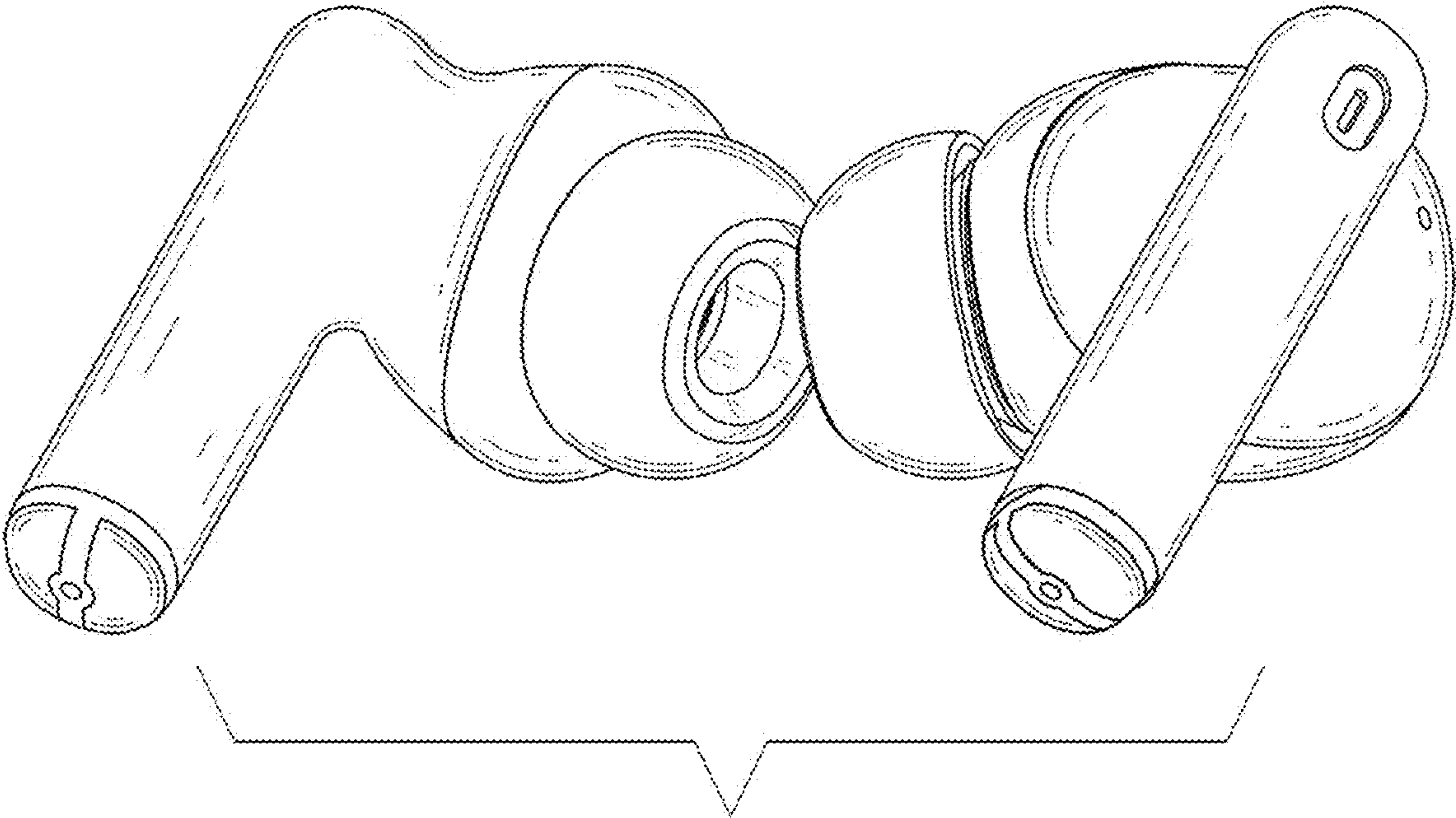


FIG.7