



US00D942422S

(12) **United States Design Patent** (10) **Patent No.:** **US D942,422 S**
Smith (45) **Date of Patent:** **** *Feb. 1, 2022**

(54) **REMOTE CONTROL**
(71) Applicant: **Senior Group LLC**, Louisville, KY (US)
(72) Inventor: **Todd Smith**, Louisville, KY (US)
(73) Assignee: **Senior Group LLC**, Louisville, KY (US)

D569,814 S 5/2008 John et al.
D586,301 S * 2/2009 Corsini D13/168
D628,192 S 11/2010 Hsu et al.
D628,988 S 12/2010 Yu
D640,669 S 6/2011 Cho et al.
(Continued)

(*) Notice: This patent is subject to a terminal disclaimer.
(**) Term: **15 Years**

FOREIGN PATENT DOCUMENTS

CN 303841935 9/2016
CN 303932164 11/2016
GB 3008284 11/2002

(21) Appl. No.: **29/723,809**
(22) Filed: **Feb. 11, 2020**
(51) **LOC (13) Cl.** **14-03**
(52) **U.S. Cl.**
USPC **D14/218**
(58) **Field of Classification Search**
USPC D13/168; D14/218
CPC .. A47C 31/008; A61G 13/02; G07C 9/00944;
G08C 17/00; G08C 17/02; H04B 1/202;
H01H 9/02; H01H 9/0214; H01H 9/0235;
H01H 9/0242; G09G 5/00; G06F 3/033
See application file for complete search history.

OTHER PUBLICATIONS

AmazonSmile : AmazonBasics Wireless Remote Control, review date 2015, https://smile.amazon.com/...1ZYZ6&pd_rd_w=F3M8j&pf_rd_i=remote+control&pd_rd_r=5c238b02-de0d-40db-84bb-29c030ea1c96&ie=UTF8&qid=1543316937&sr=3#customer-Reviews, site visited Nov. 27, 2018.

(Continued)

Primary Examiner — Selina Sikder
(74) *Attorney, Agent, or Firm* — Stites & Harbison, PLLC; David W. Nagle, Jr.

(57) **CLAIM**

The ornamental design for the remote control, as shown and described.

(56) **References Cited**

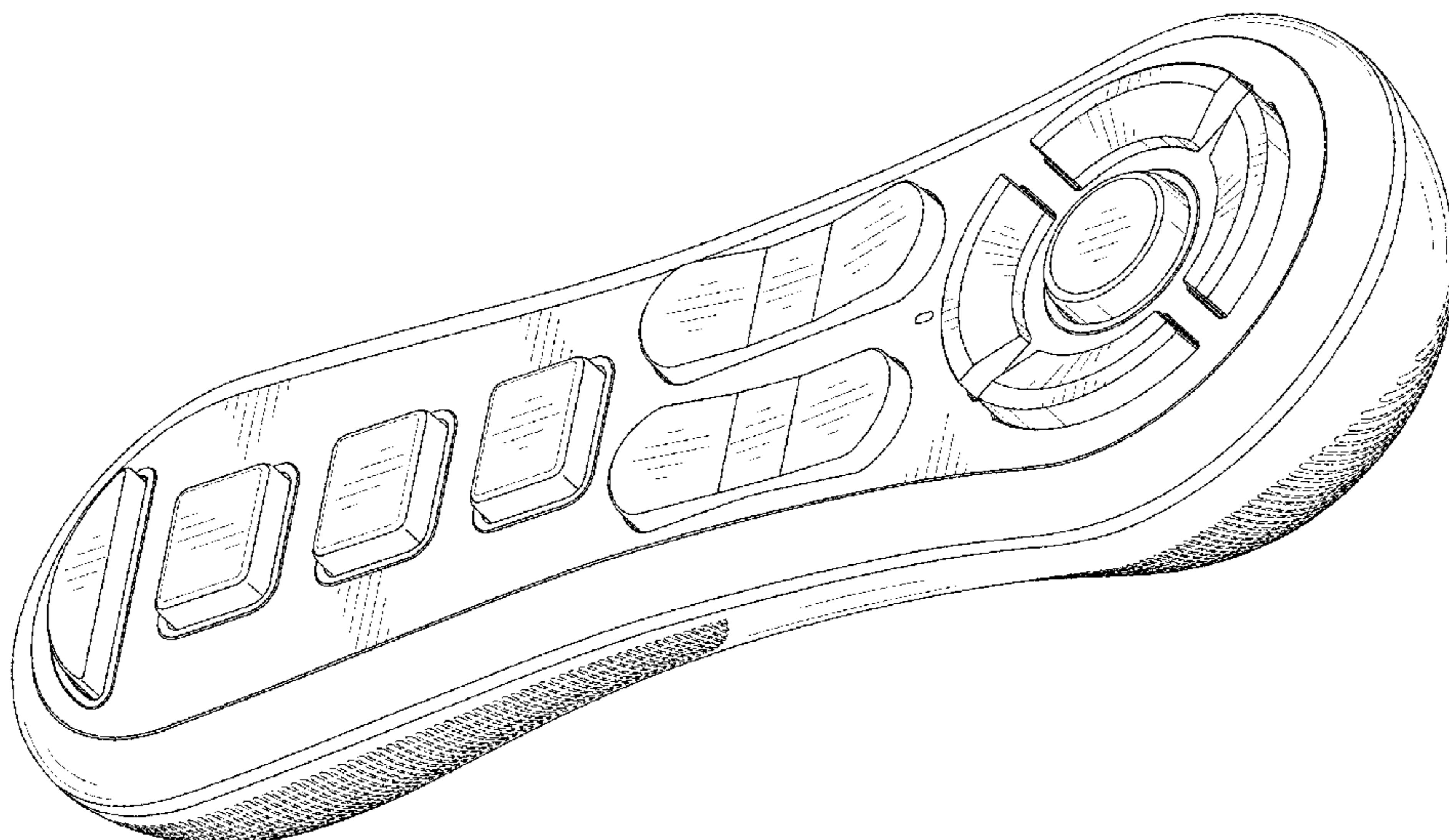
DESCRIPTION

U.S. PATENT DOCUMENTS

D363,720 S 10/1995 Lagohm
D366,876 S 2/1996 Labohm
D417,670 S 12/1999 Capps et al.
D420,006 S 2/2000 Tonino
D424,061 S 5/2000 Backs et al.
D424,577 S 5/2000 Backs et al.
D502,929 S 3/2005 Copeland et al.
D512,027 S 11/2005 Sarajoki et al.
D513,234 S 12/2005 Martin
D522,495 S 6/2006 Papoula et al.
D526,622 S 8/2006 Ng et al.
D563,907 S 3/2008 Badarello

FIG. 1 is a perspective view of a remote control incorporating the design of the present invention;
FIG. 2 is a front view of the remote control of FIG. 1;
FIG. 3 is a rear view of the remote control of FIG. 1;
FIG. 4 is a left side view of the remote control of FIG. 1;
FIG. 5 is a right side view of the remote control of FIG. 1;
FIG. 6 is a top view of the remote control of FIG. 1; and,
FIG. 7 is a bottom view of the remote control of FIG. 1.
The broken lines in FIGS. 1-7 depict portions of the remote control that form no part of the claimed design.

1 Claim, 6 Drawing Sheets



(56)

References Cited

U.S. PATENT DOCUMENTS

D647,887 S * 11/2011 Dawson D14/218
D671,505 S 11/2012 Clark et al.
8,537,116 B2 9/2013 Yang
D697,057 S 1/2014 Kwon et al.
D703,190 S 4/2014 Zaslavsky et al.
D704,167 S 5/2014 Akana et al.
D723,521 S 3/2015 Chen et al.
D733,100 S 6/2015 Kim
D845,280 S 4/2019 Smith
D851,632 S * 6/2019 Smith D14/218

OTHER PUBLICATIONS

Nurse call button—Wikipedia, update 2018, https://en.wikipedia.org/wiki/Nurse_call_button, site visited Nov. 27, 2018.

* cited by examiner

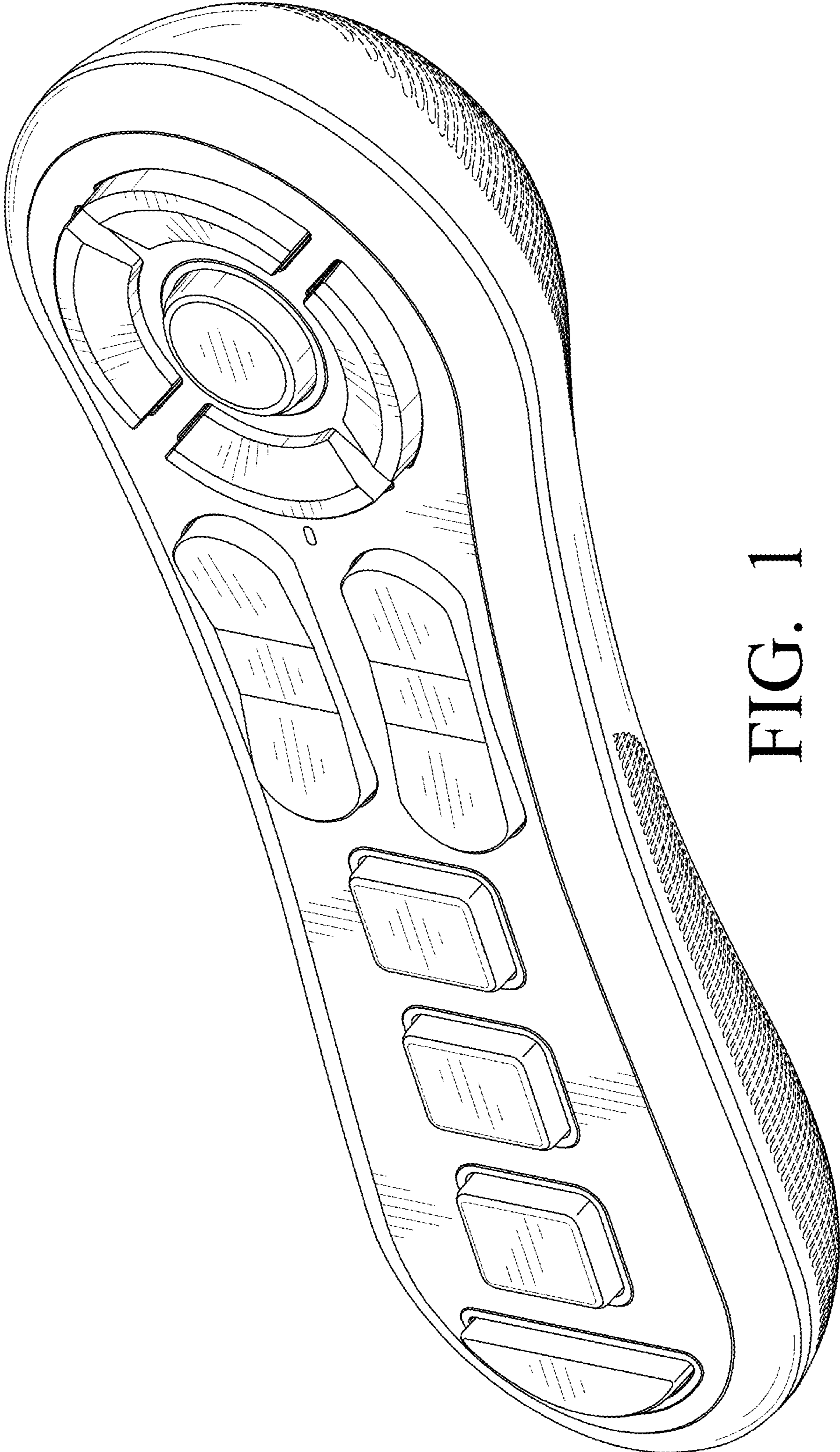


FIG. 1

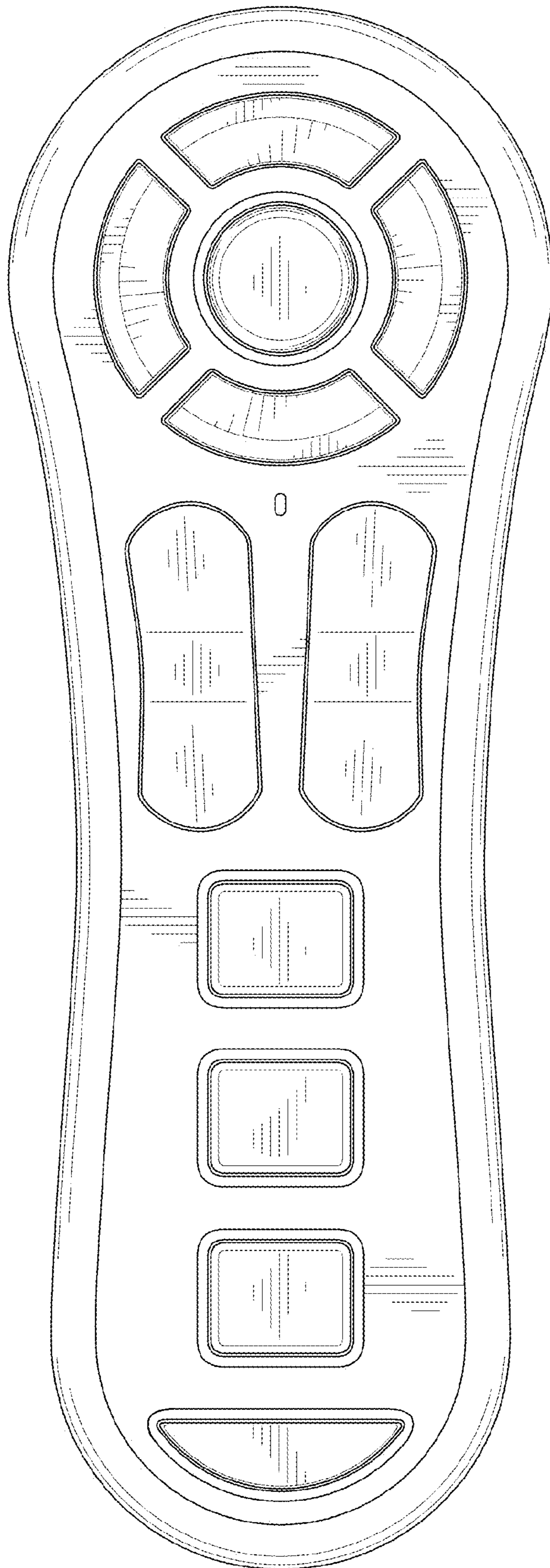


FIG. 2

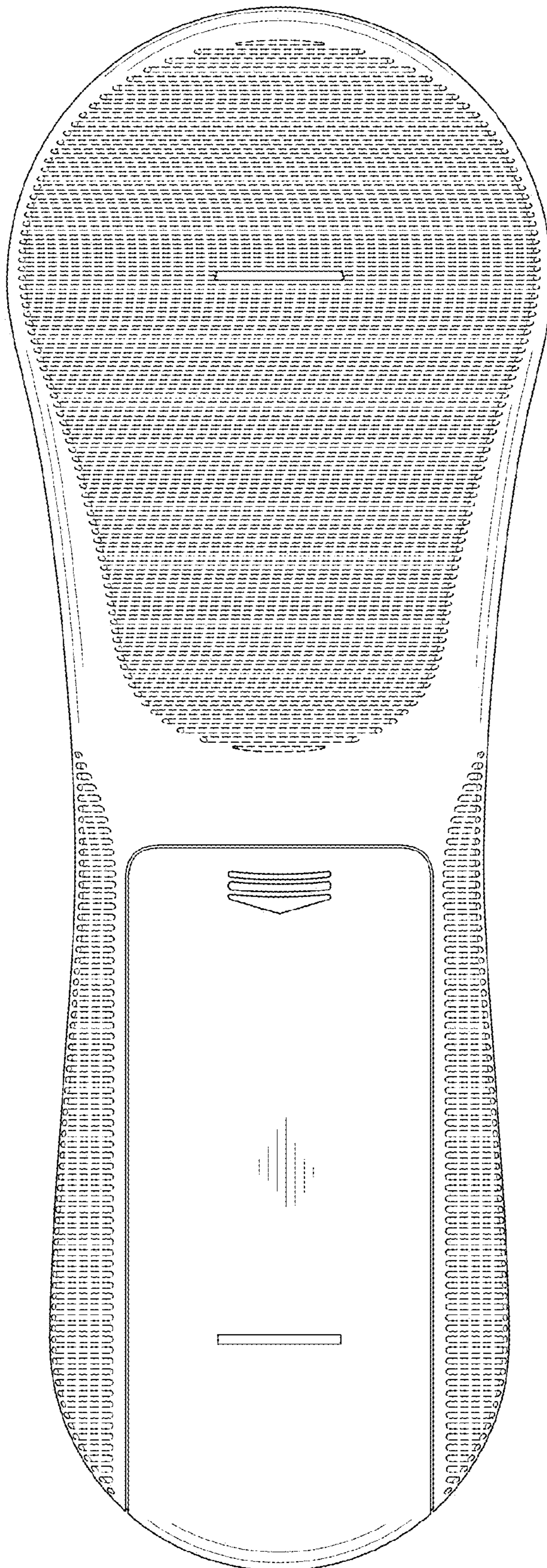


FIG. 3

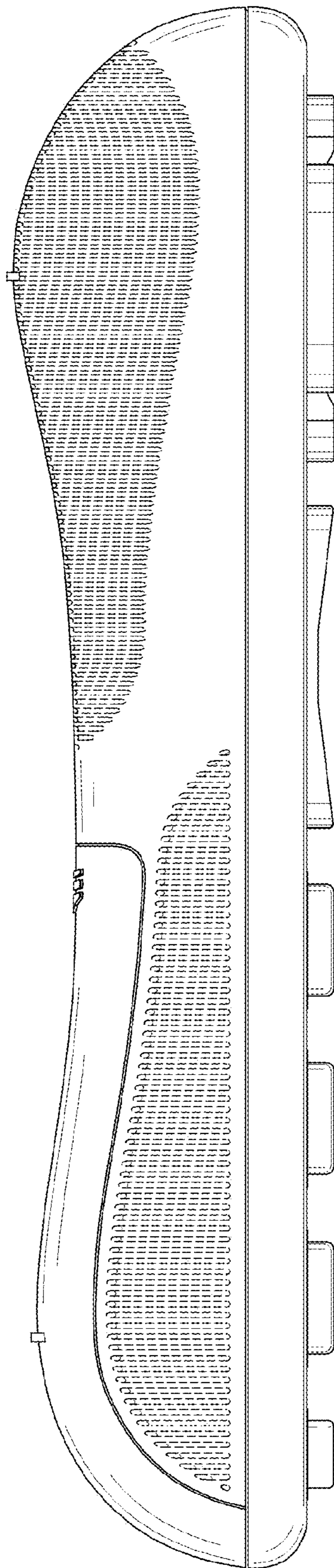


FIG. 4

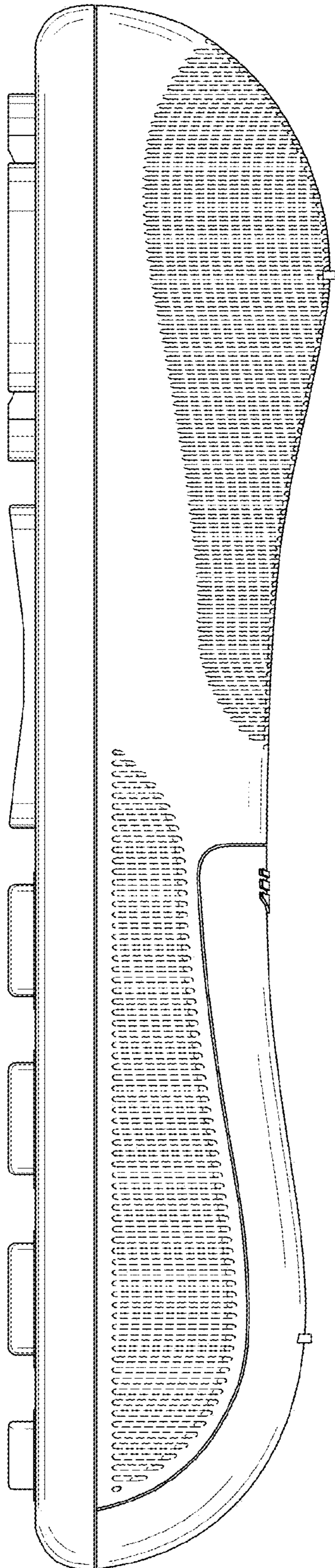


FIG. 5

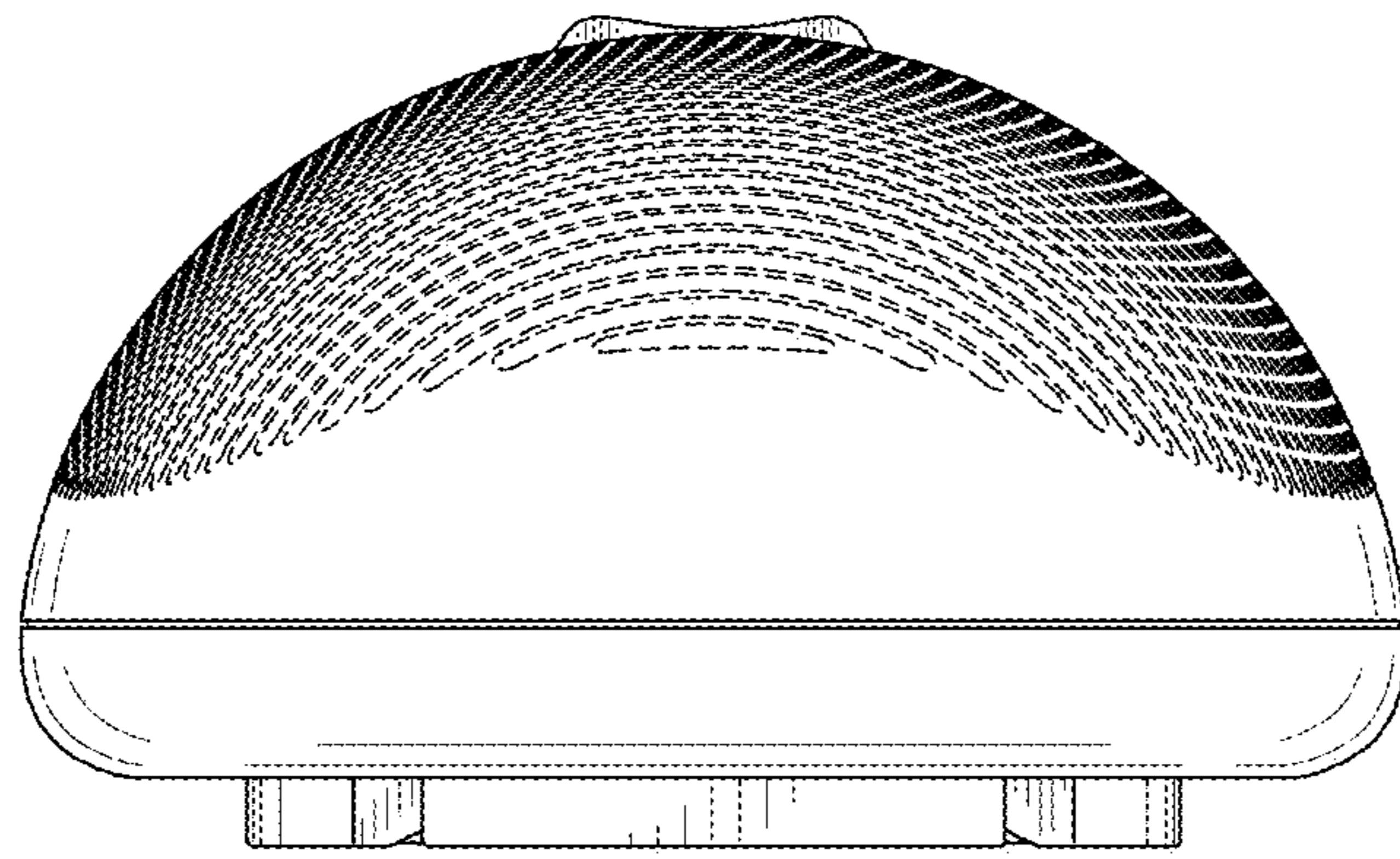


FIG. 6

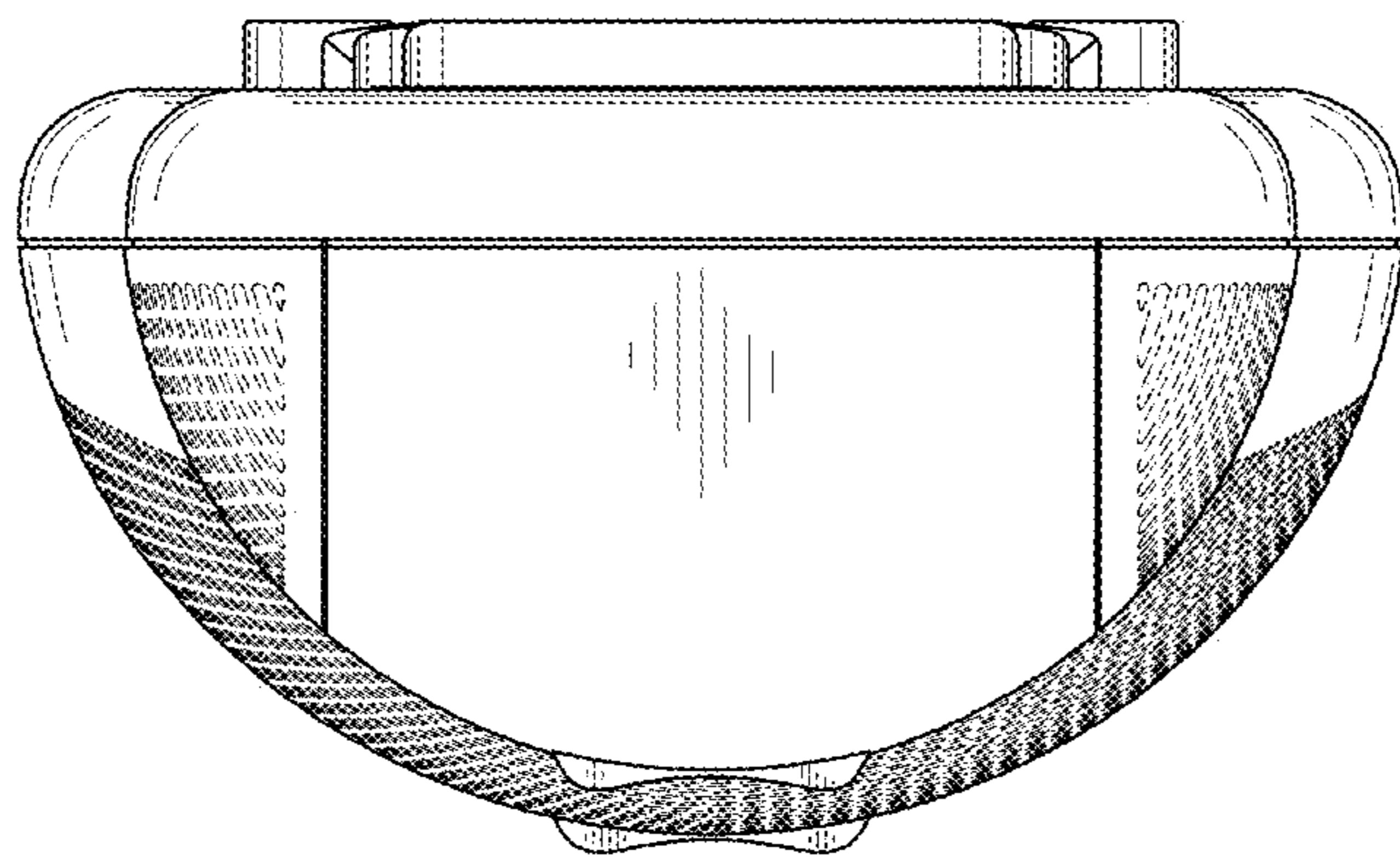


FIG. 7