



US00D942420S

(12) **United States Design Patent**
Kim et al.

(10) **Patent No.:** **US D942,420 S**

(45) **Date of Patent:** **** Feb. 1, 2022**

(54) **SOUND BAR**

(71) Applicant: **LG ELECTRONICS INC.**, Seoul (KR)

(72) Inventors: **Kyungmin Kim**, Seoul (KR);
Sooyoung Park, Seoul (KR)

(73) Assignee: **LG ELECTRONICS INC.**, Seoul (KR)

(**) Term: **15 Years**

(21) Appl. No.: **35/510,805**

(22) Filed: **May 19, 2020**

(80) **Hague Agreement Data**

Int. Filing Date: **May 19, 2020**
Int. Reg. No.: **DM/208397**
Int. Reg. Date: **May 19, 2020**
Int. Reg. Pub. Date: **Nov. 20, 2020**

(30) **Foreign Application Priority Data**

Dec. 6, 2019 (KR) 30-2019-0059193

(51) **LOC (13) Cl.** **14-01**

(52) **U.S. Cl.**
USPC **D14/214**

(58) **Field of Classification Search**

USPC D14/167, 168, 170-172, 188, 194-196,
D14/204, 209.1, 210-216, 219, 221, 222,
D14/224, 239, 496
CPC B60R 11/0217; G06F 1/1688; G10K 9/22;
G10K 11/004; H03F 1/327; H04M 1/03;
H04M 1/035; H04N 5/642; H04N
21/4852; H04R 1/02; H04R 1/06; H04R
1/021; H04R 1/025; H04R 1/026; H04R
1/028; H04R 1/105; H04R 1/323; H04R

1/403; H04R 1/2803; H04R 1/2834;
H04R 5/02; H04R 7/20; H04R 9/06;
H04R 9/025; H04R 2201/021; H04R
2400/00; H04R 2400/07; H04R 2499/11;
H04R 2499/13; H04R 2499/15; H04S
3/00; H04S 7/30

See application file for complete search history.

(56) **References Cited**

U.S. PATENT DOCUMENTS

D392,966 S *	3/1998	Lee	D14/135
D823,820 S *	7/2018	Kim	D14/125
D826,877 S *	8/2018	Kim	D14/125
D835,072 S *	12/2018	Won	D14/216
D908,662 S *	1/2021	Wong	D14/204

* cited by examiner

Primary Examiner — Keli L Hill

(74) *Attorney, Agent, or Firm* — Birch, Stewart, Kolasch & Birch, LLP

(57) **CLAIM**

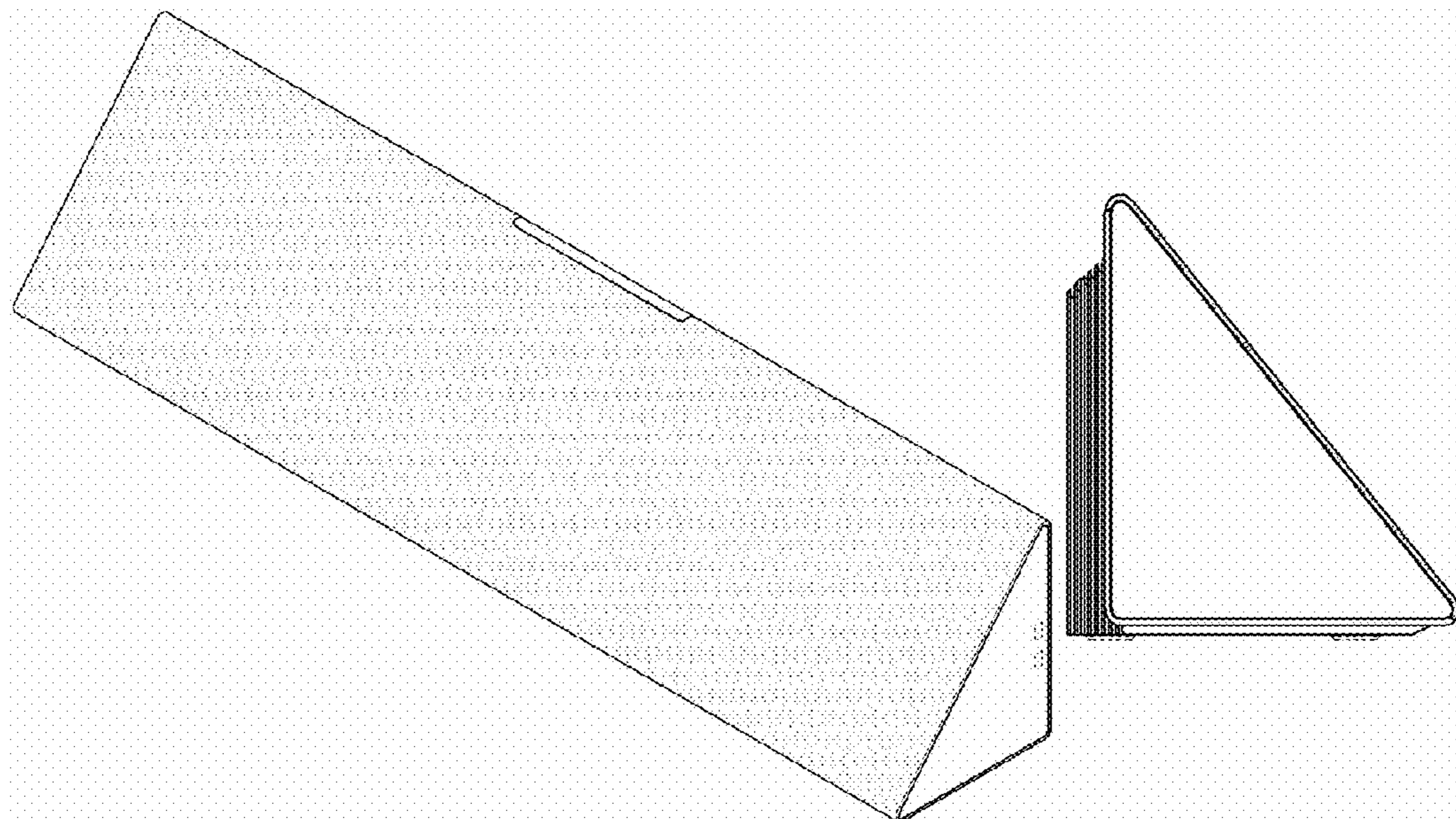
The ornamental design for a sound bar, as shown and described.

DESCRIPTION

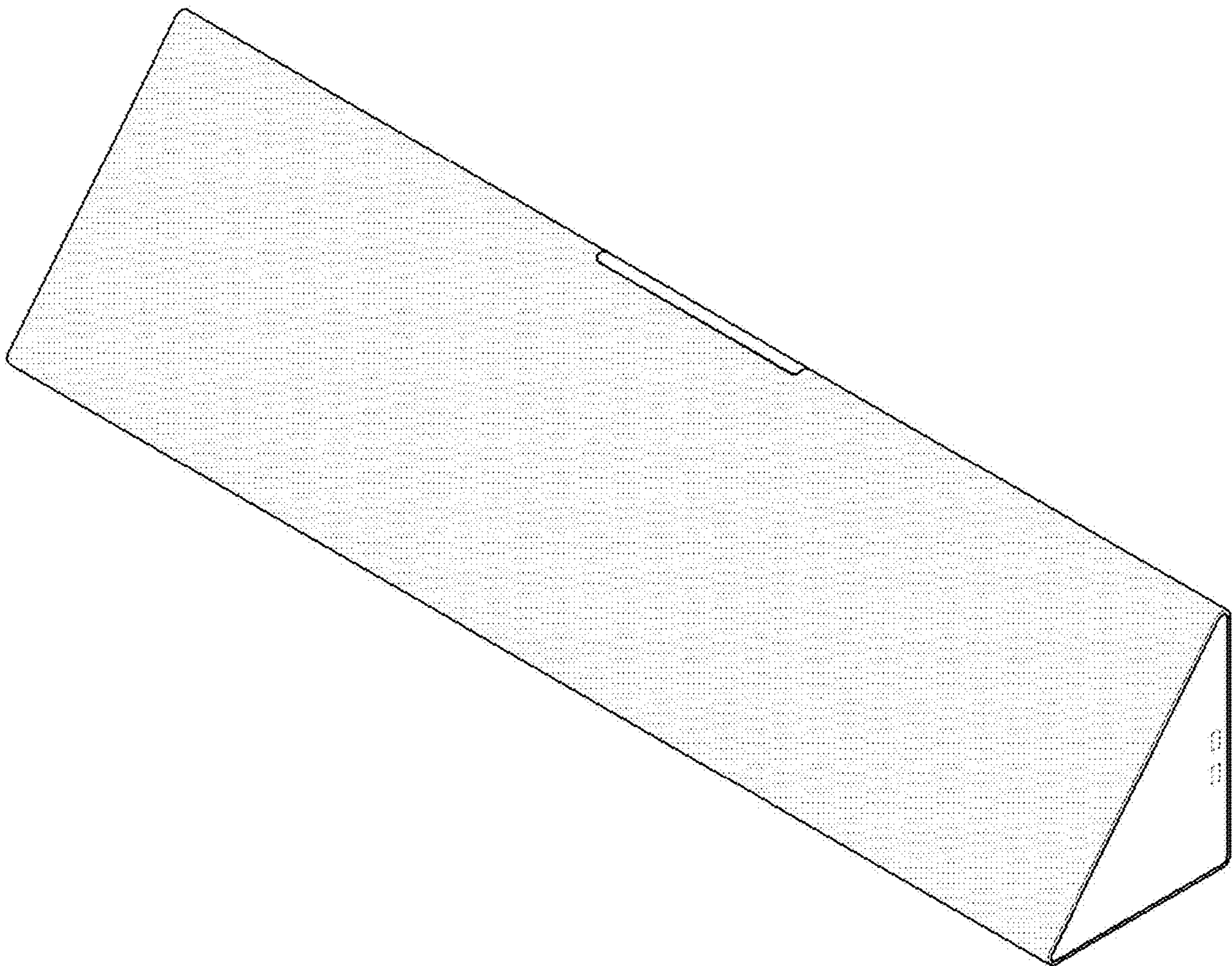
- 1. Sound bar
- 1.1 : Perspective
- 1.2 : Front
- 1.3 : Back
- 1.4 : Left
- 1.5 : Right
- 1.6 : Top
- 1.7 : Bottom

The broken lines indicate portions of the article that form no part of the claimed design.

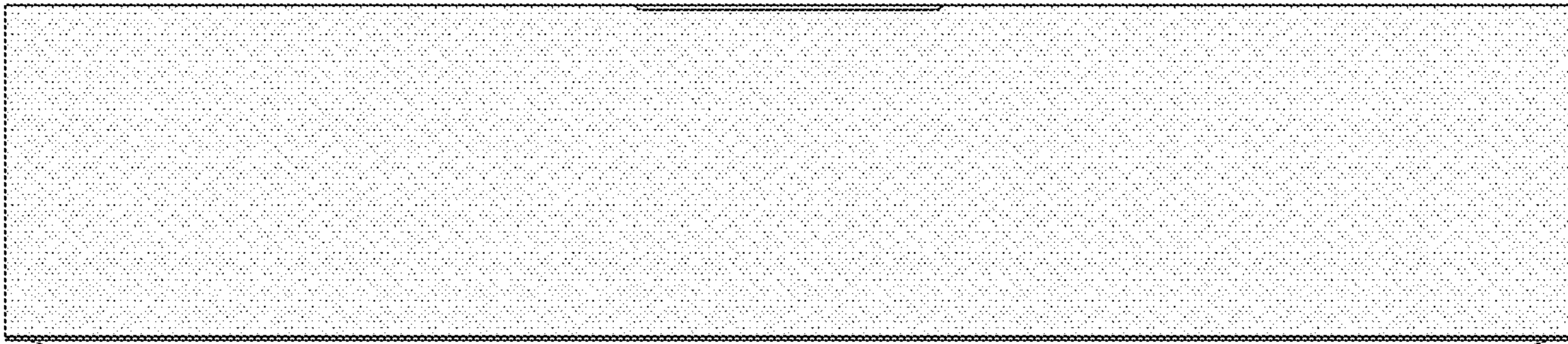
1 Claim, 7 Drawing Sheets



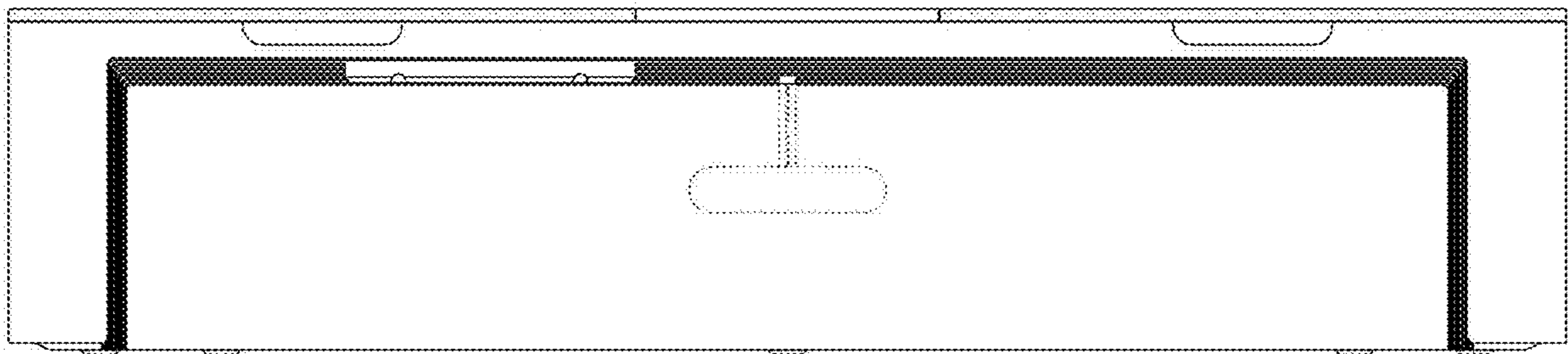
1.1



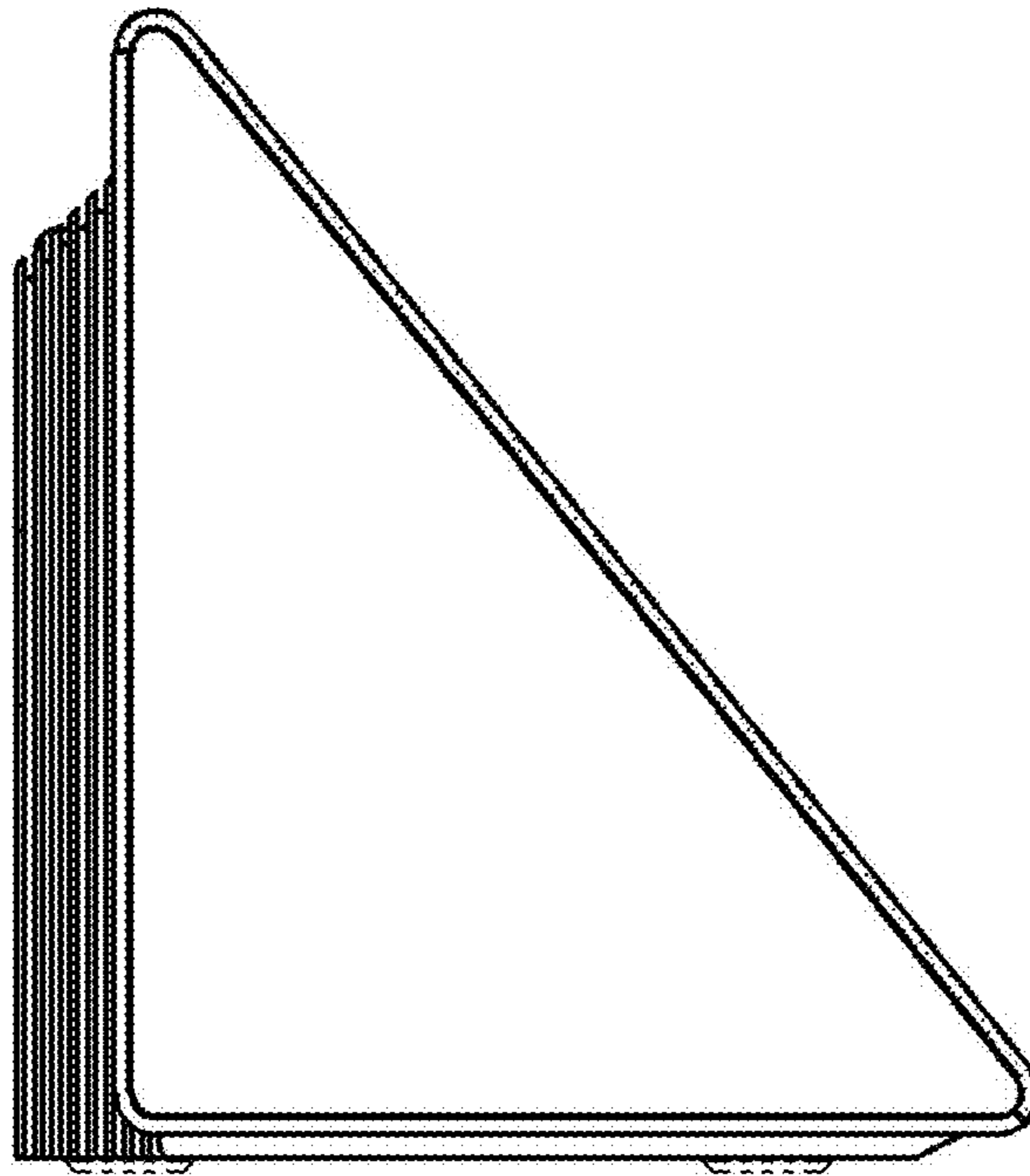
1.2



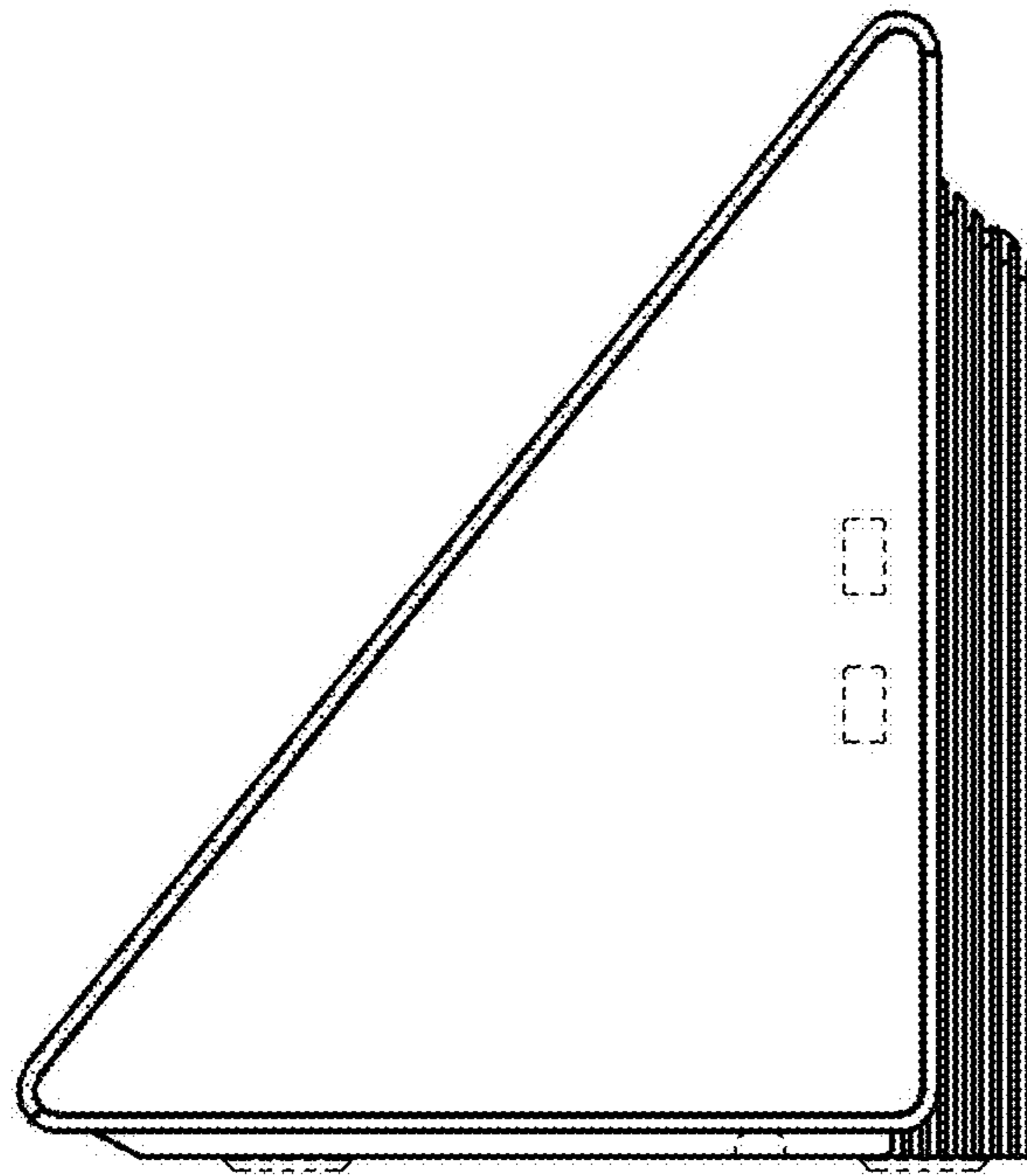
1.3



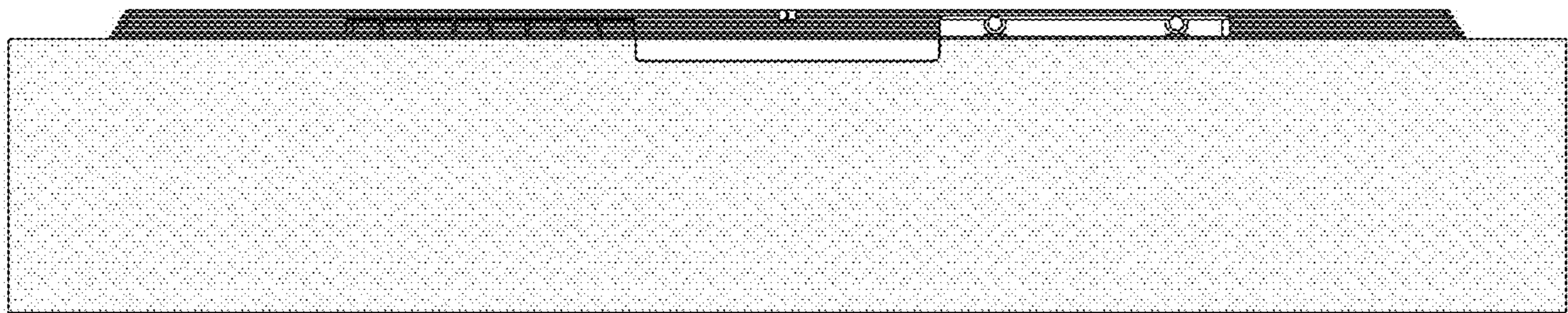
1.4



1.5



1.6



1.7

