



US00D942418S

(12) **United States Design Patent** (10) **Patent No.:** **US D942,418 S**
Kim et al. (45) **Date of Patent:** **** Feb. 1, 2022**

(54) **SOUND BAR**

(71) Applicant: **LG ELECTRONICS INC.**, Seoul (KR)

(72) Inventors: **Kyungmin Kim**, Seoul (KR);
Sooyoung Park, Seoul (KR)

(73) Assignee: **LG ELECTRONICS INC.**, Seoul (KR)

(**) Term: **15 Years**

(21) Appl. No.: **35/510,771**

(22) Filed: **May 19, 2020**

(80) **Hague Agreement Data**

Int. Filing Date: **May 19, 2020**
Int. Reg. No.: **DM/208390**
Int. Reg. Date: **May 19, 2020**
Int. Reg. Pub. Date: **Nov. 20, 2020**

(30) **Foreign Application Priority Data**

Dec. 6, 2019 (KR) 30-2019-0059185

(51) **LOC (13) Cl.** **14-01**

(52) **U.S. Cl.**
USPC **D14/214**

(58) **Field of Classification Search**

USPC D14/167, 168, 170-172, 188, 194-196,
D14/204, 209.1, 210-216, 219, 221, 222,
D14/224, 239, 496

CPC B60R 11/0217; G06F 1/1688; G10K 9/22;
G10K 11/004; H03F 1/327; H04M 1/03;
H04M 1/035; H04N 5/642; H04N
21/4852; H04R 1/02; H04R 1/06; H04R
1/021; H04R 1/025; H04R 1/026; H04R
1/028; H04R 1/105; H04R 1/323; H04R
1/403; H04R 1/2803; H04R 1/2834;
H04R 5/02; H04R 7/20; H04R 9/06;

H04R 9/025; H04R 2201/021; H04R
2400/00; H04R 2400/07; H04R 2499/11;
H04R 2499/13; H04R 2499/15; H04S
3/00; H04S 7/30

See application file for complete search history.

(56) **References Cited**

U.S. PATENT DOCUMENTS

D540,305 S * 4/2007 Han D14/211
D711,852 S * 8/2014 Mackiewicz D14/214
D754,104 S * 4/2016 Yoon D14/214
D853,356 S * 7/2019 Werle D14/216
D870,074 S * 12/2019 Valeur D14/214

* cited by examiner

Primary Examiner — Keli L Hill

(74) *Attorney, Agent, or Firm* — Birch, Stewart, Kolasch
& Birch, LLP

(57) **CLAIM**

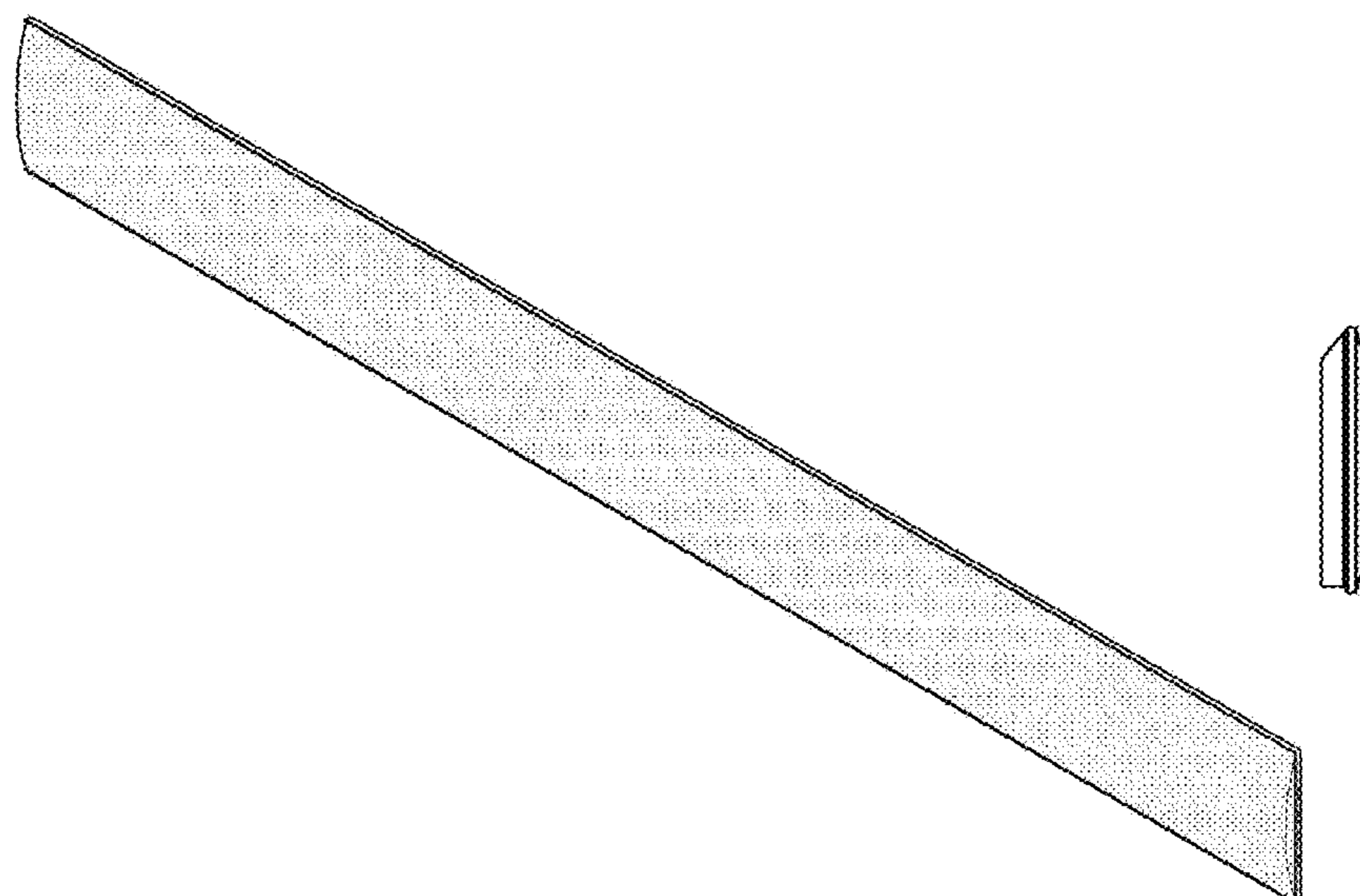
The ornamental design for a sound bar, as shown and described.

DESCRIPTION

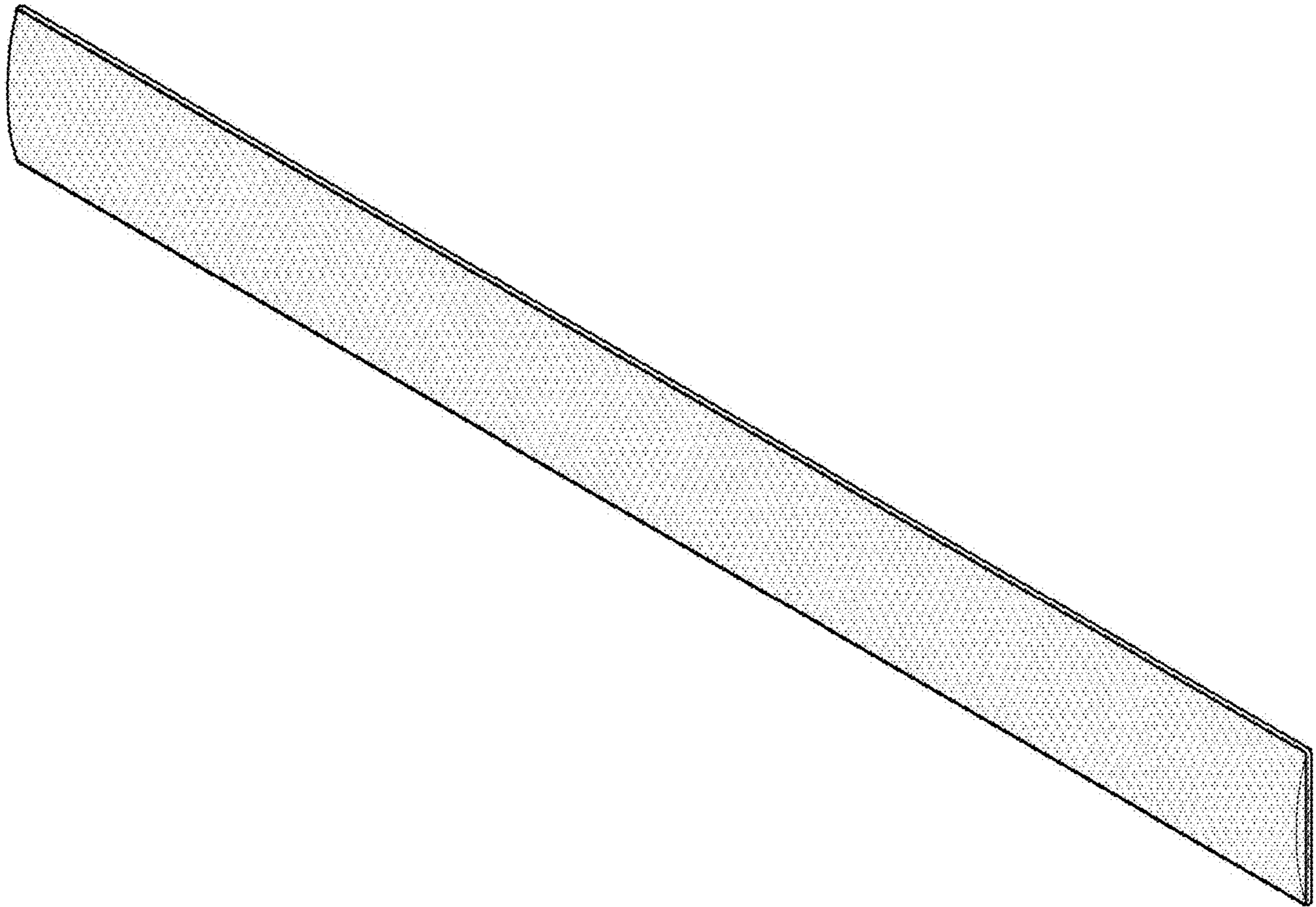
- 1. Sound bar
- 1.1 : Perspective
- 1.2 : Front
- 1.3 : Back
- 1.4 : Left
- 1.5 : Right
- 1.6 : Top
- 1.7 : Bottom
- 1.8 : Enlarged

The broken lines indicate portions of the article that form no part of the claimed design; reproduction 1.8 is an enlarged view of the portion of reproduction 1.5, represented by the square in dot-dashed lines, curvy line and the number 1.8.

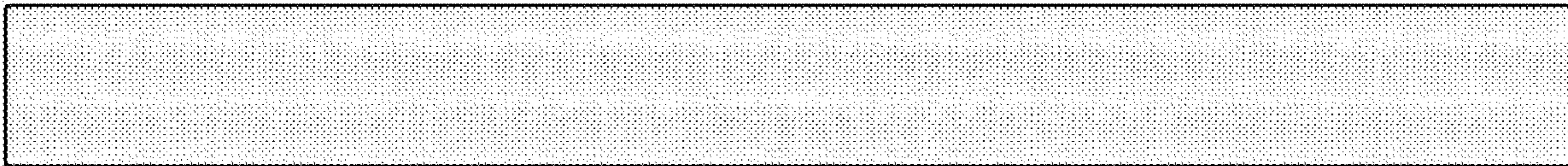
1 Claim, 8 Drawing Sheets



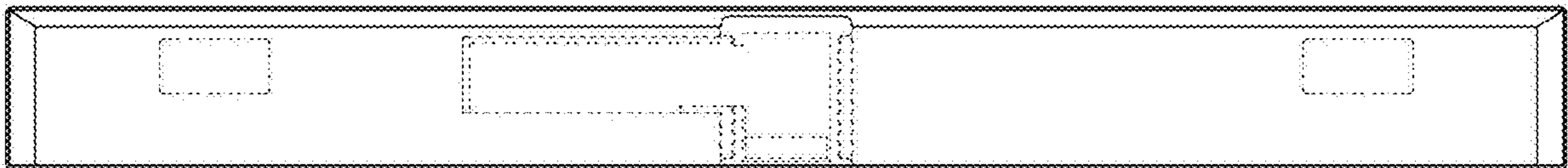
1.1



1.2



1.3

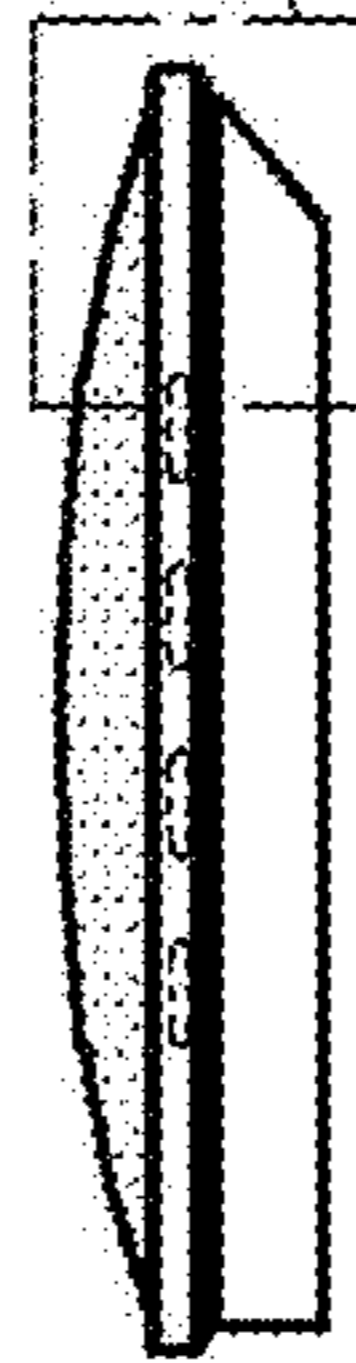


1.4



1.5

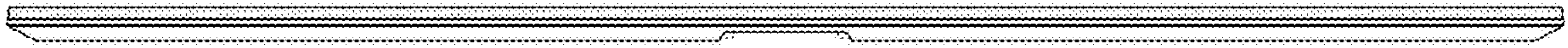
1.8



1.6



1.7



1.8

