



US00D942416S

(12) **United States Design Patent** (10) **Patent No.:** **US D942,416 S**
Lee (45) **Date of Patent:** **** Feb. 1, 2022**

(54) **BLUETOOTH SPEAKER**

(71) Applicant: **LG ELECTRONICS INC.**, Seoul (KR)

(72) Inventor: **Sangho Lee**, Seoul (KR)

(73) Assignee: **LG ELECTRONICS INC.**, Seoul (KR)

(**) Term: **15 Years**

(21) Appl. No.: **35/510,643**

(22) Filed: **Apr. 28, 2020**

(80) **Hague Agreement Data**

Int. Filing Date: **Apr. 28, 2020**

Int. Reg. No.: **DM/207938**

Int. Reg. Date: **Apr. 28, 2020**

Int. Reg. Pub. Date: **Oct. 30, 2020**

(30) **Foreign Application Priority Data**

Nov. 26, 2019 (KR) 30-2019-0056695

(51) **LOC (13) Cl.** **14-01**

(52) **U.S. Cl.**
USPC **D14/214**

(58) **Field of Classification Search**

USPC D14/167, 168, 170-172, 188, 194-196,
D14/204, 209.1, 210-216, 219, 221, 222,
D14/224, 239, 496

CPC B60R 11/0217; G06F 1/1688; G10K 9/22;
G10K 11/004; H03F 1/327; H04M 1/03;
H04M 1/035; H04N 5/642; H04N
21/4852; H04R 1/02; H04R 1/06; H04R
1/021; H04R 1/025; H04R 1/026; H04R
1/028; H04R 1/105; H04R 1/323; H04R
1/403; H04R 1/2803; H04R 1/2834;
H04R 5/02; H04R 7/20; H04R 9/06;
H04R 9/025; H04R 2201/021; H04R
2400/00; H04R 2400/07; H04R 2499/11;
H04R 2499/13; H04R 2499/15; H04S
3/00; H04S 7/30

See application file for complete search history.

(56) **References Cited**

U.S. PATENT DOCUMENTS

D690,281 S *	9/2013 Carr	D14/204
D789,329 S *	6/2017 Tse	D14/212
D831,002 S *	10/2018 Distefano	D14/216
D848,971 S *	5/2019 Wang	D14/204
D851,620 S *	6/2019 Wang	D14/204
D862,409 S *	10/2019 Lee	D14/204
D862,410 S *	10/2019 Lee	D14/204
D863,255 S *	10/2019 Wang	D14/214
D874,426 S *	2/2020 Kim	D14/204
D894,866 S *	9/2020 Wijaya	D14/214
D904,998 S *	12/2020 Qiu	D14/204
D920,946 S *	6/2021 Lee	D14/204

* cited by examiner

Primary Examiner — Keli L Hill

(74) *Attorney, Agent, or Firm* — Birch, Stewart, Kolasch & Birch, LLP

(57) **CLAIM**

The ornamental design for a bluetooth speaker, as shown and described.

DESCRIPTION

1. Bluetooth speaker

1.1 : Perspective

1.2 : Front

1.3 : Back

1.4 : Left

1.5 : Right

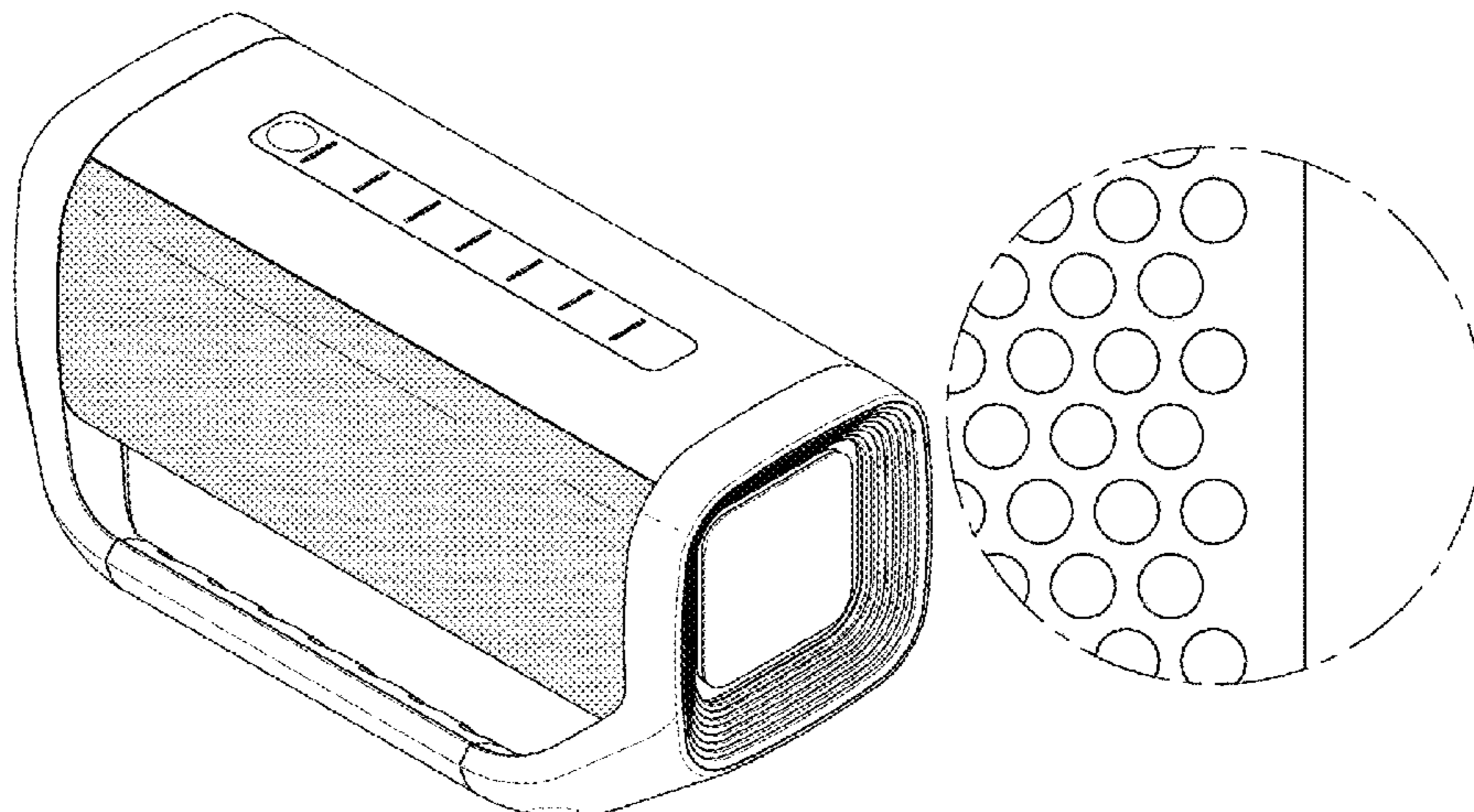
1.6 : Top

1.7 : Bottom

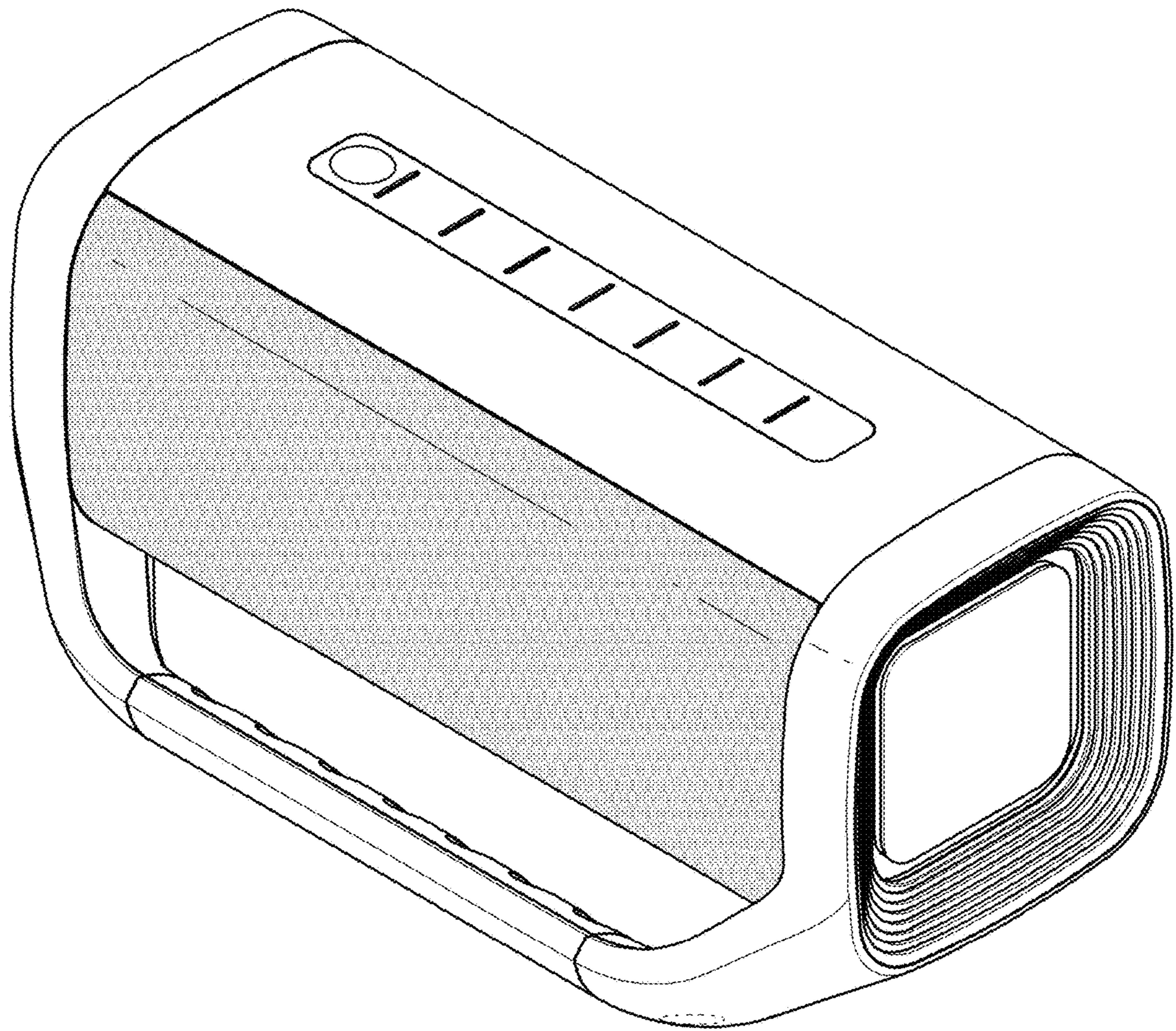
1.8 : Enlarged

Reproduction 1.8 is an enlarged view showing the portion indicated by the dot-dashed line, wavy line and the number 1.8 on reproduction 1.2; The broken lines indicate portions of the article that form no part of the claimed design.

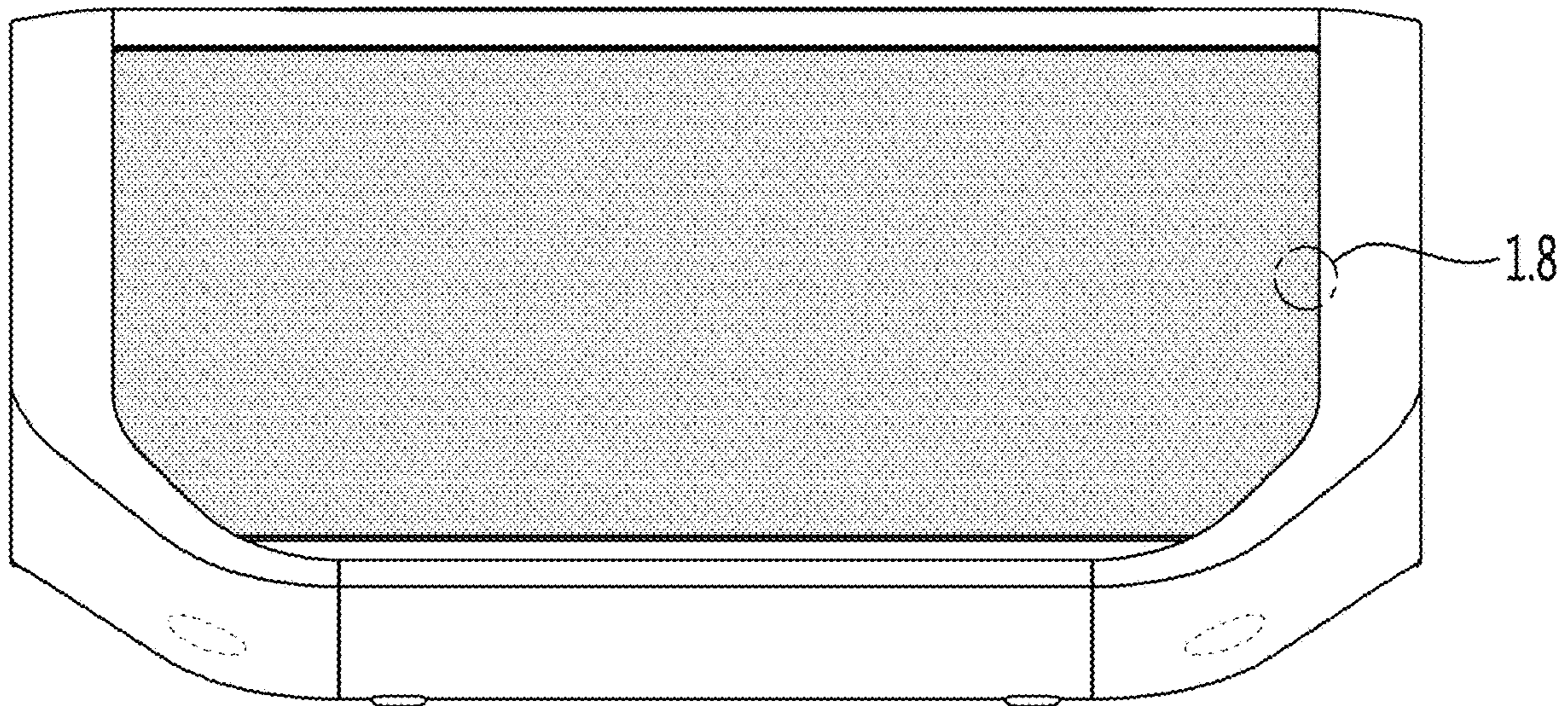
1 Claim, 8 Drawing Sheets



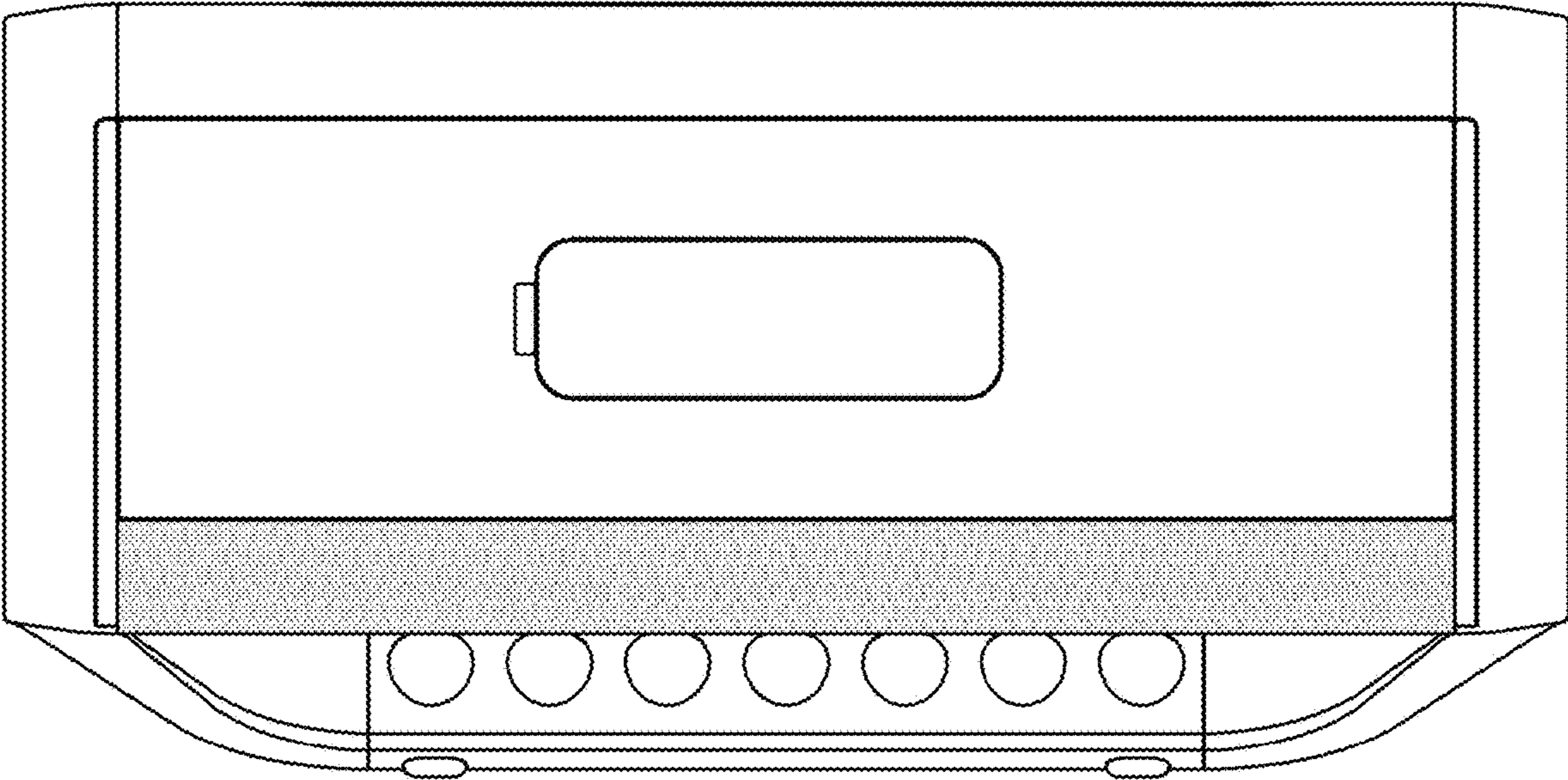
1.1



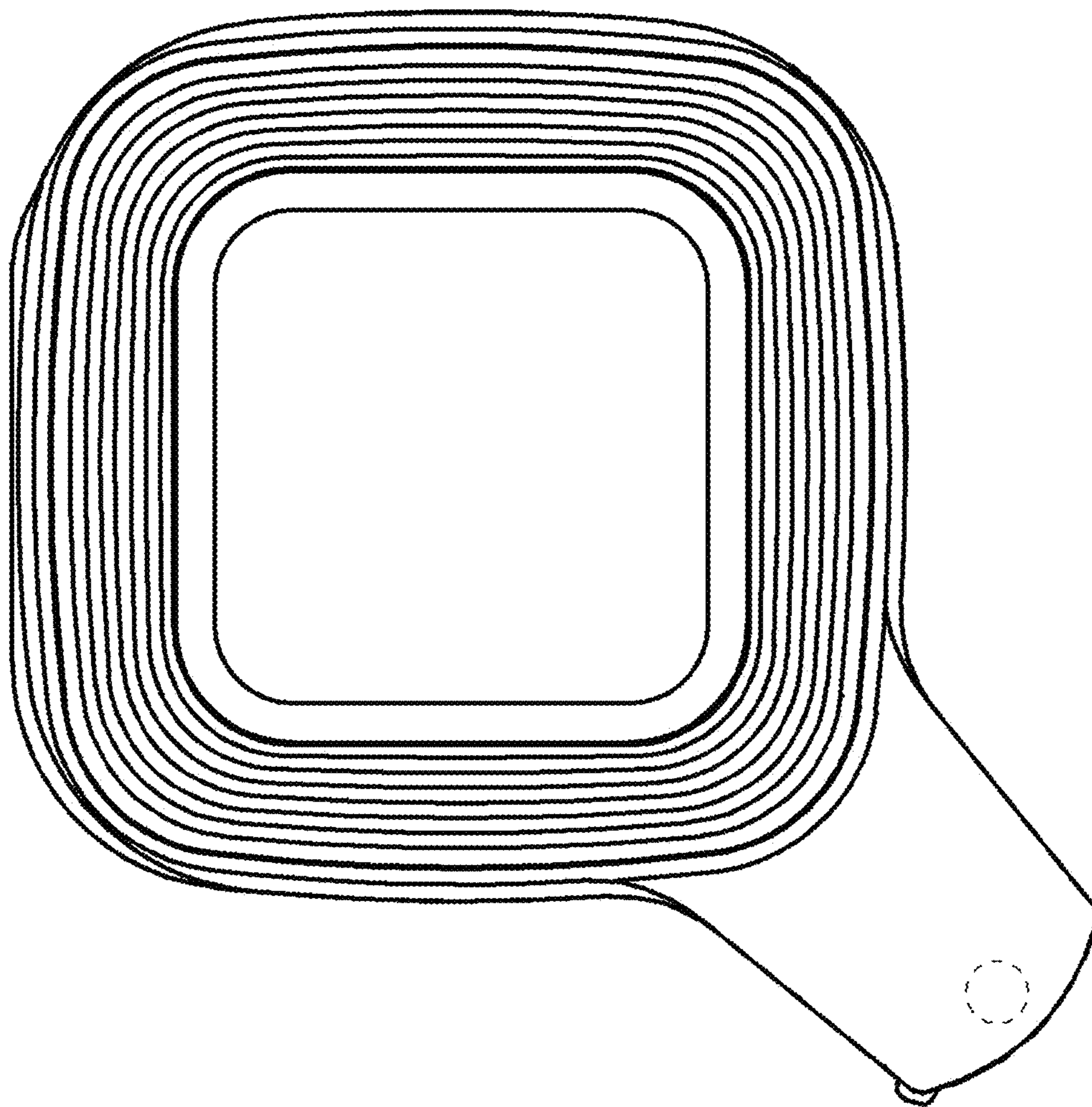
1.2



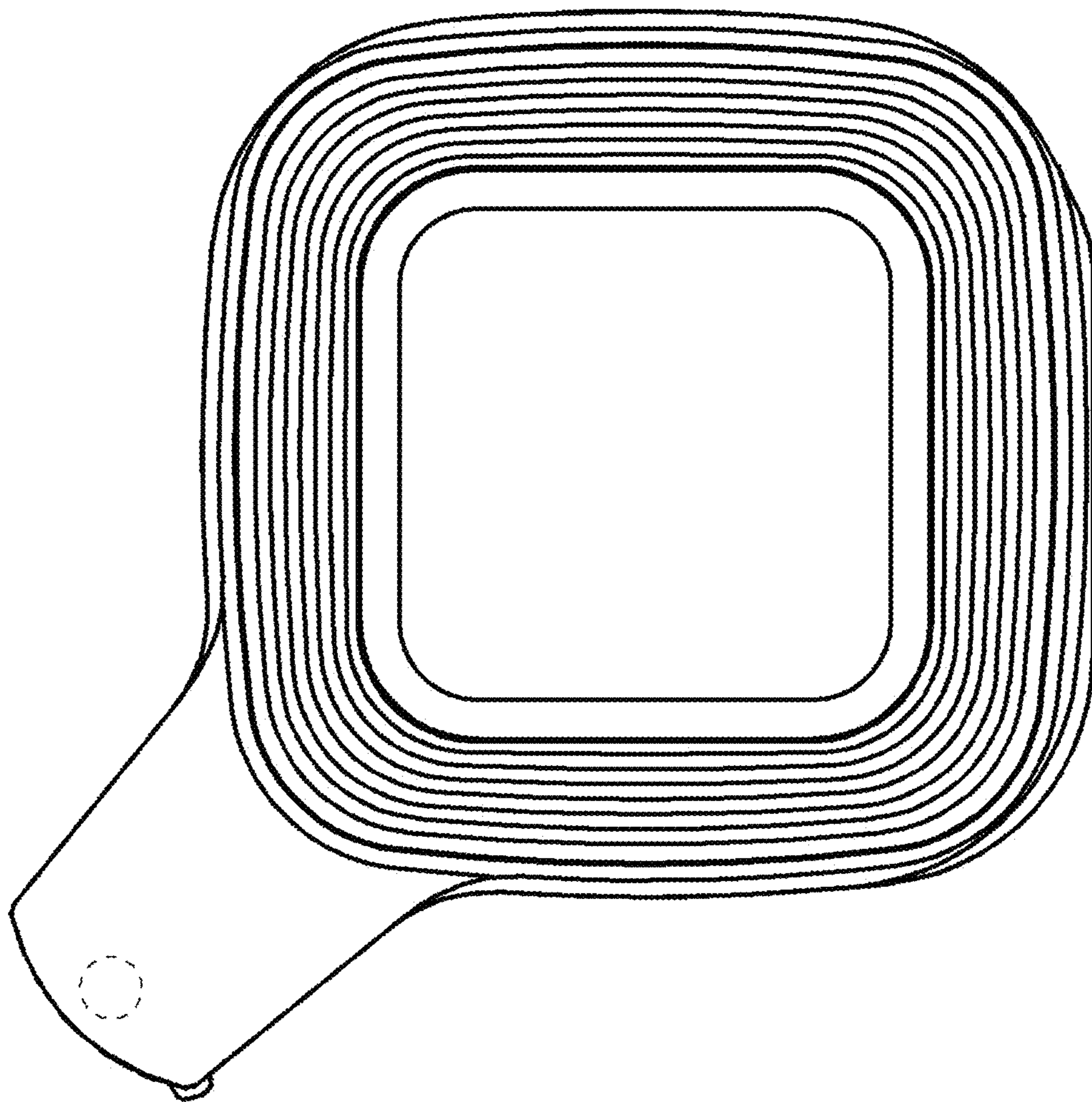
1.3



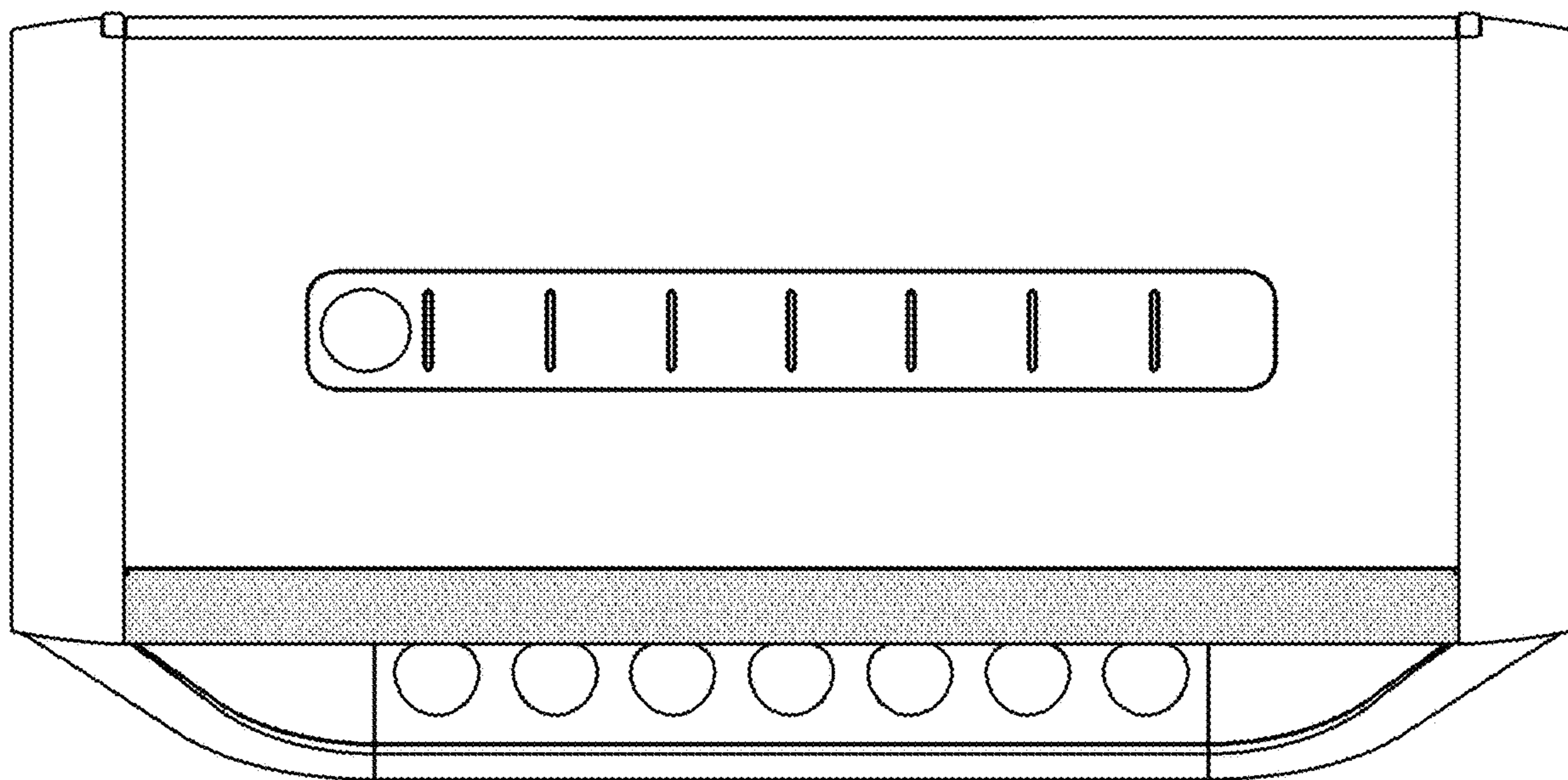
1.4



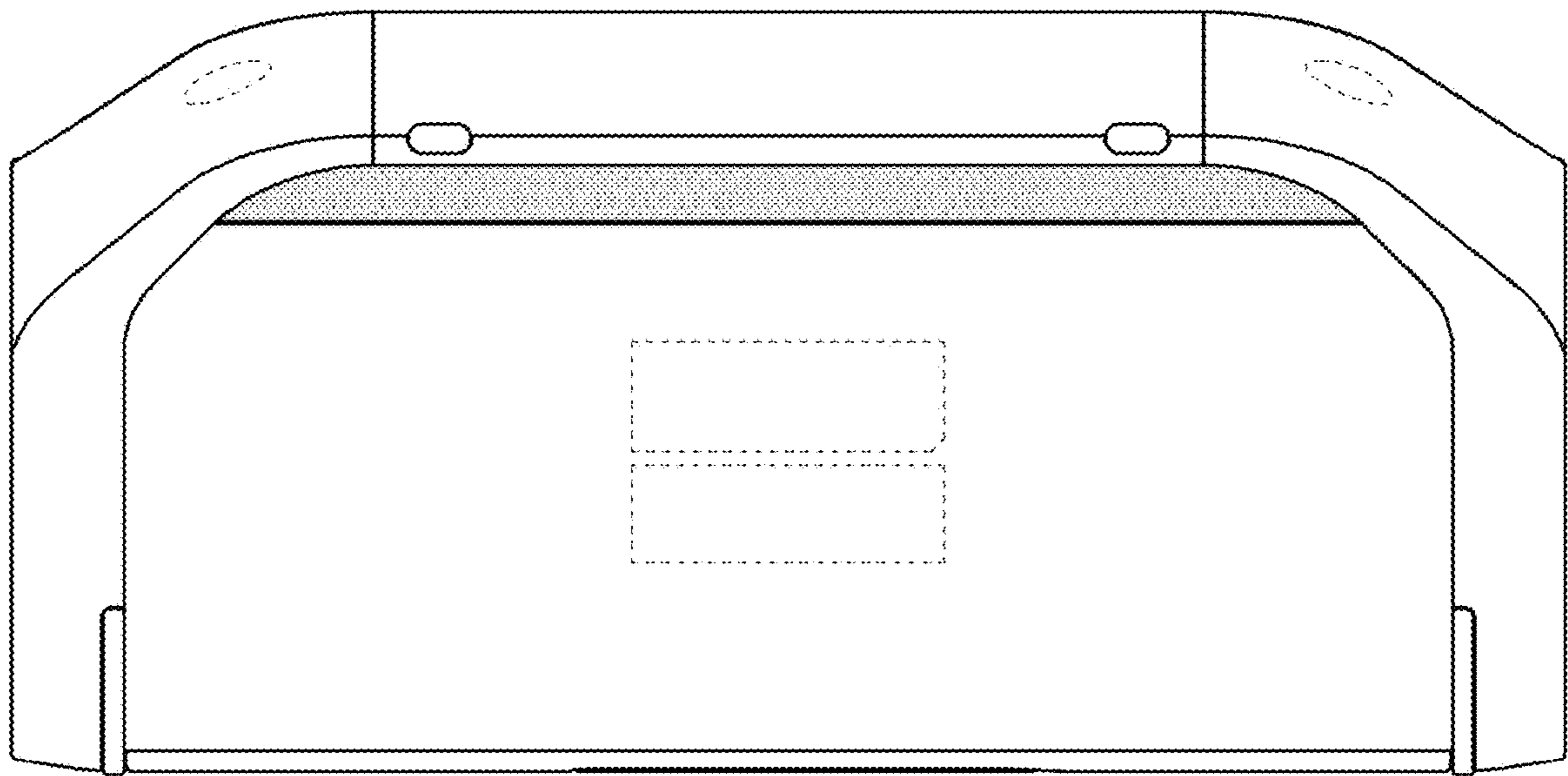
1.5



1.6



1.7



1.8

