



US00D942415S

(12) **United States Design Patent** (10) **Patent No.:** **US D942,415 S**  
**Bi** (45) **Date of Patent:** **\*\* Feb. 1, 2022**

(54) **WIRELESS SPEAKER**

(71) Applicant: **Liangrui Bi**, Henan (CN)

(72) Inventor: **Liangrui Bi**, Henan (CN)

(\*\*) Term: **15 Years**

(21) Appl. No.: **29/746,480**

(22) Filed: **Aug. 14, 2020**

(51) **LOC (13) Cl.** ..... **14-01**

(52) **U.S. Cl.**

USPC ..... **D14/214**; D14/204

(58) **Field of Classification Search**

USPC ..... D14/125, 167, 168, 170–172, 188, 193,  
D14/203.1, 203.2, 203.3, 203.4, 203.5,  
D14/203.6, 203.7, 203.8, 204, 209.1,  
D14/210–217, 219, 221, 222, 224, 226,  
D14/240, 348, 433, 496–505; D16/207,  
D16/210, 218

CPC ..... B60R 11/0217; G06F 1/1688; G10K 9/22;  
G10K 11/004; H04R 1/02; H04R 1/021;  
H04R 1/023; H04R 1/025; H04R 1/026;  
H04R 1/028; H04R 1/323; H04R 1/403;  
H04R 1/2803; H04R 1/2834; H04R 5/00;  
H04R 5/02; H04R 9/06; H04R 2420/07;  
H04R 2201/021; H04R 2400/00; H04S  
3/00; H04S 7/30

See application file for complete search history.

(56) **References Cited**

U.S. PATENT DOCUMENTS

D340,243 S \* 10/1993 Yuen ..... D14/171  
D464,036 S \* 10/2002 Matsuoka ..... D14/171

D794,604 S \* 8/2017 Cheney ..... D14/210  
D822,000 S \* 7/2018 Lin ..... D14/214  
D831,002 S \* 10/2018 Distefano ..... D14/216  
D840,966 S \* 2/2019 Cheney ..... D14/204  
D845,925 S \* 4/2019 Bellinghausen ..... D14/204  
D848,971 S \* 5/2019 Wang ..... D14/204  
D851,620 S \* 6/2019 Wang ..... D14/204  
D862,410 S \* 10/2019 Lee ..... D14/204  
D875,715 S \* 2/2020 Cheney ..... D14/210  
D886,797 S \* 6/2020 Wang ..... D14/204  
D904,998 S \* 12/2020 Qiu ..... D14/204

\* cited by examiner

*Primary Examiner* — Ramzi Almatrahi

*Assistant Examiner* — Charles Cunningham

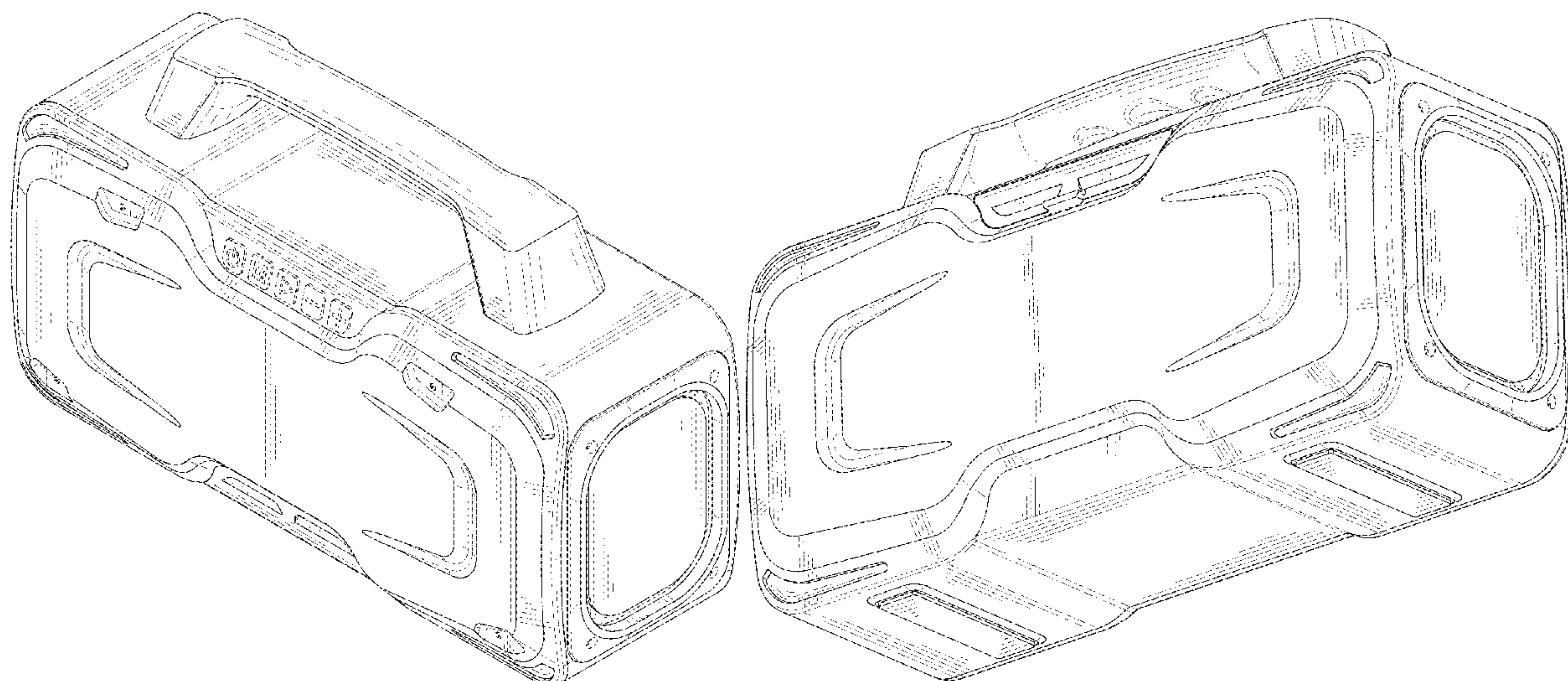
(57) **CLAIM**

The ornamental design for a wireless speaker, as shown and described.

**DESCRIPTION**

FIG. 1 is a top, front and right side perspective view of a wireless speaker showing my new design;  
FIG. 2 is a bottom, rear and left side perspective view thereof;  
FIG. 3 is a front elevational view thereof;  
FIG. 4 is a rear elevational view thereof;  
FIG. 5 is a left side elevational view thereof;  
FIG. 6 is a right side elevational view thereof;  
FIG. 7 is a top plan view thereof; and,  
FIG. 8 is a bottom plan view thereof.  
The broken lines in the drawings illustrate portions of the wireless speaker which form no part of the claimed design.

**1 Claim, 8 Drawing Sheets**



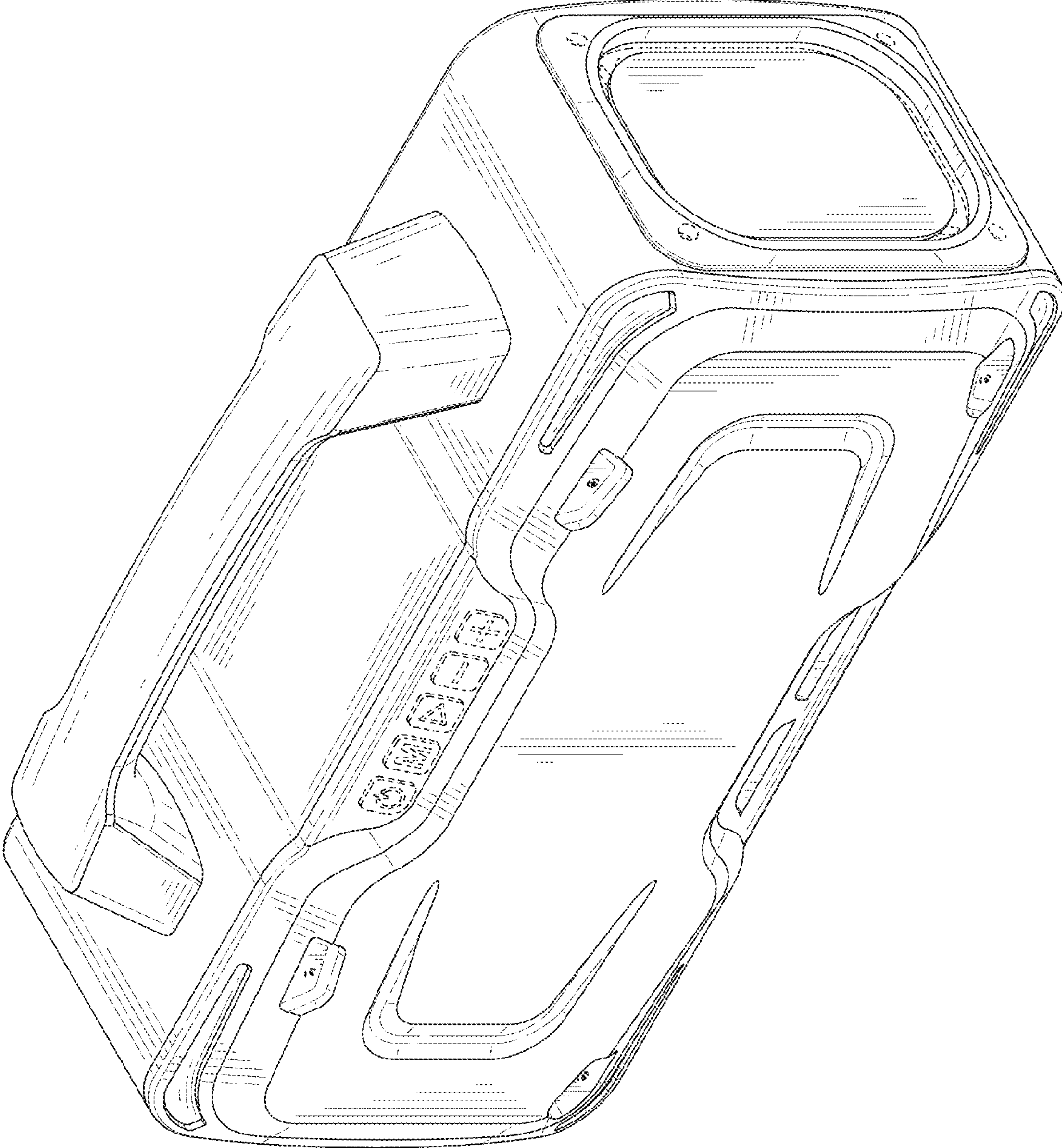


FIG. 1



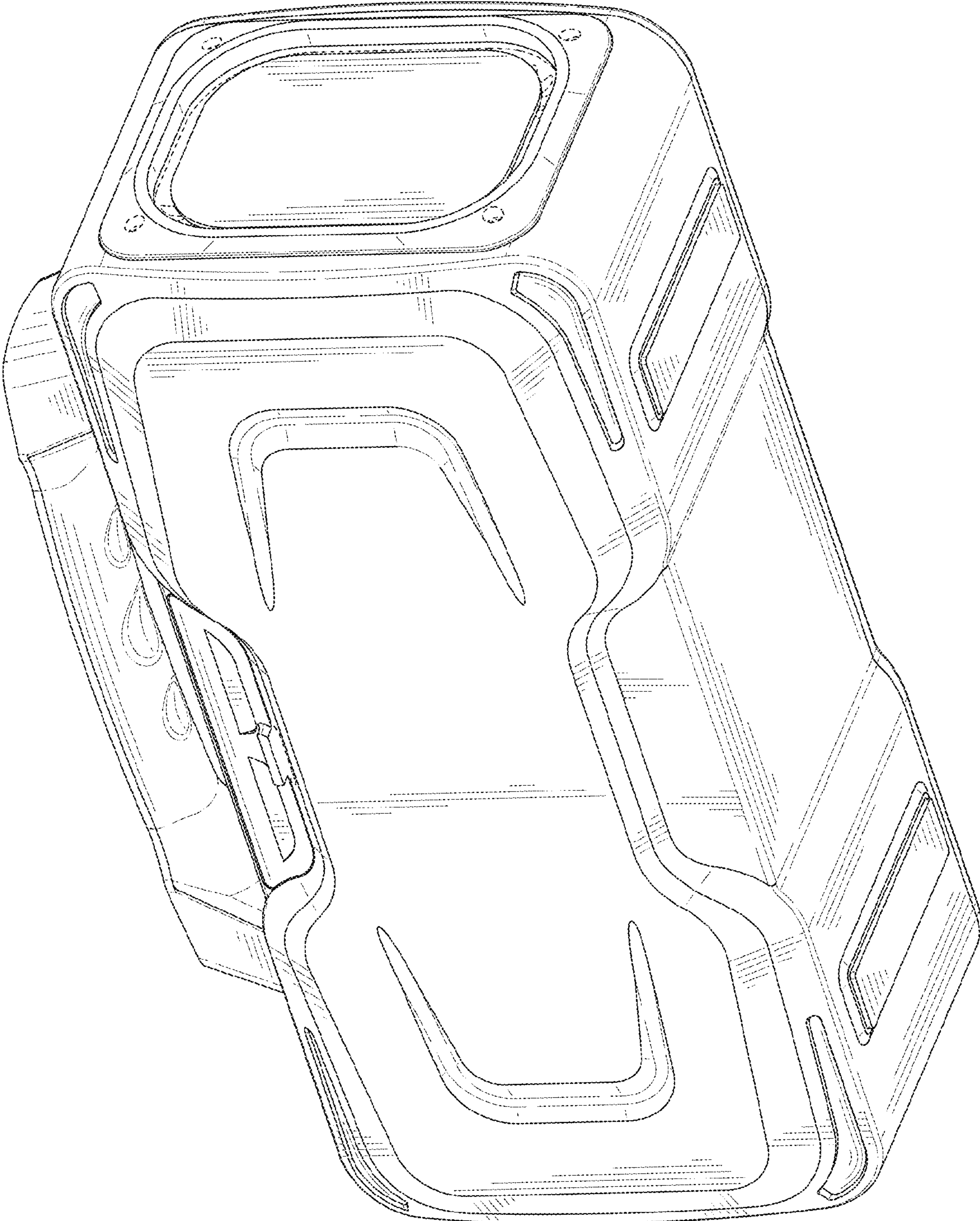


FIG. 2

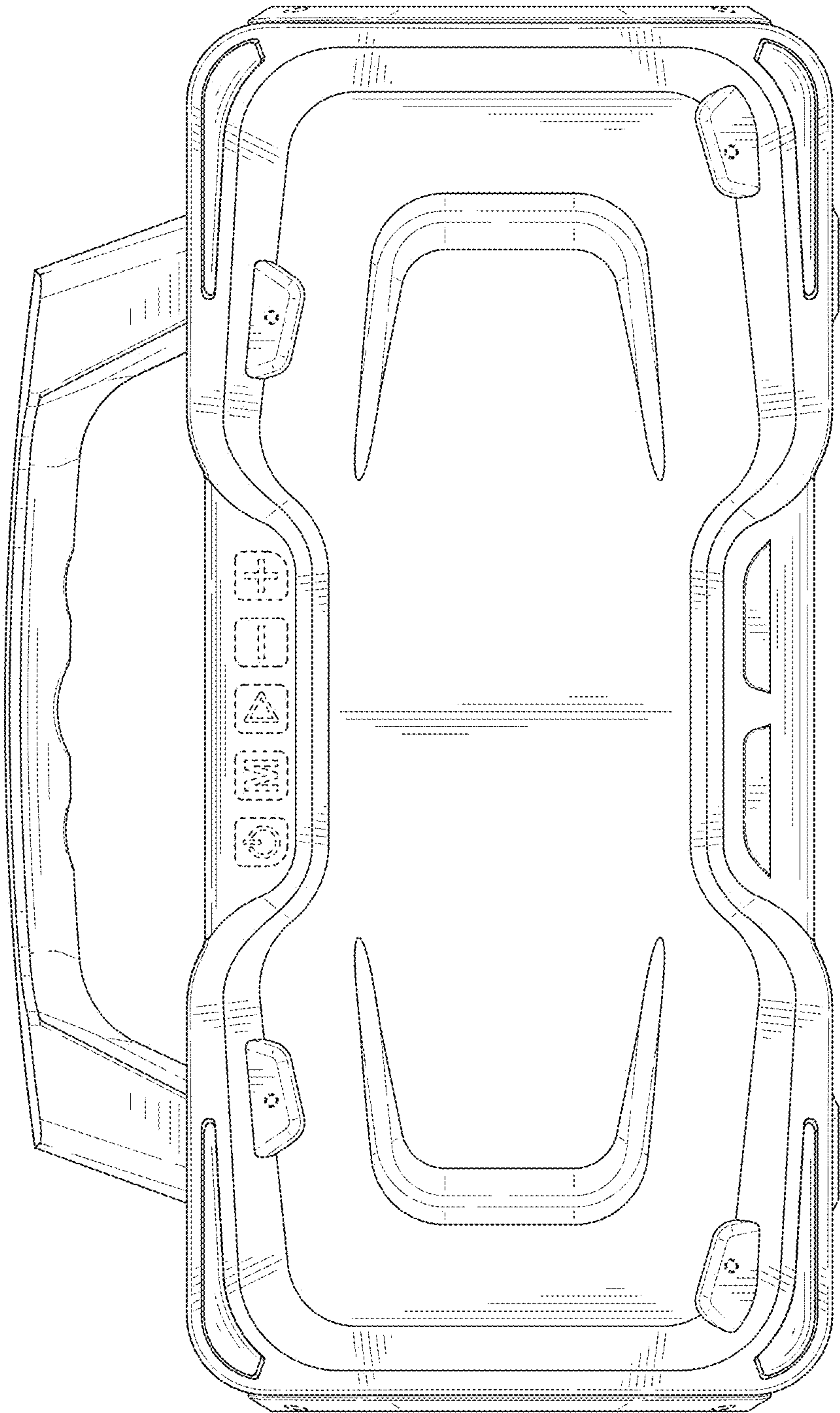


FIG. 3

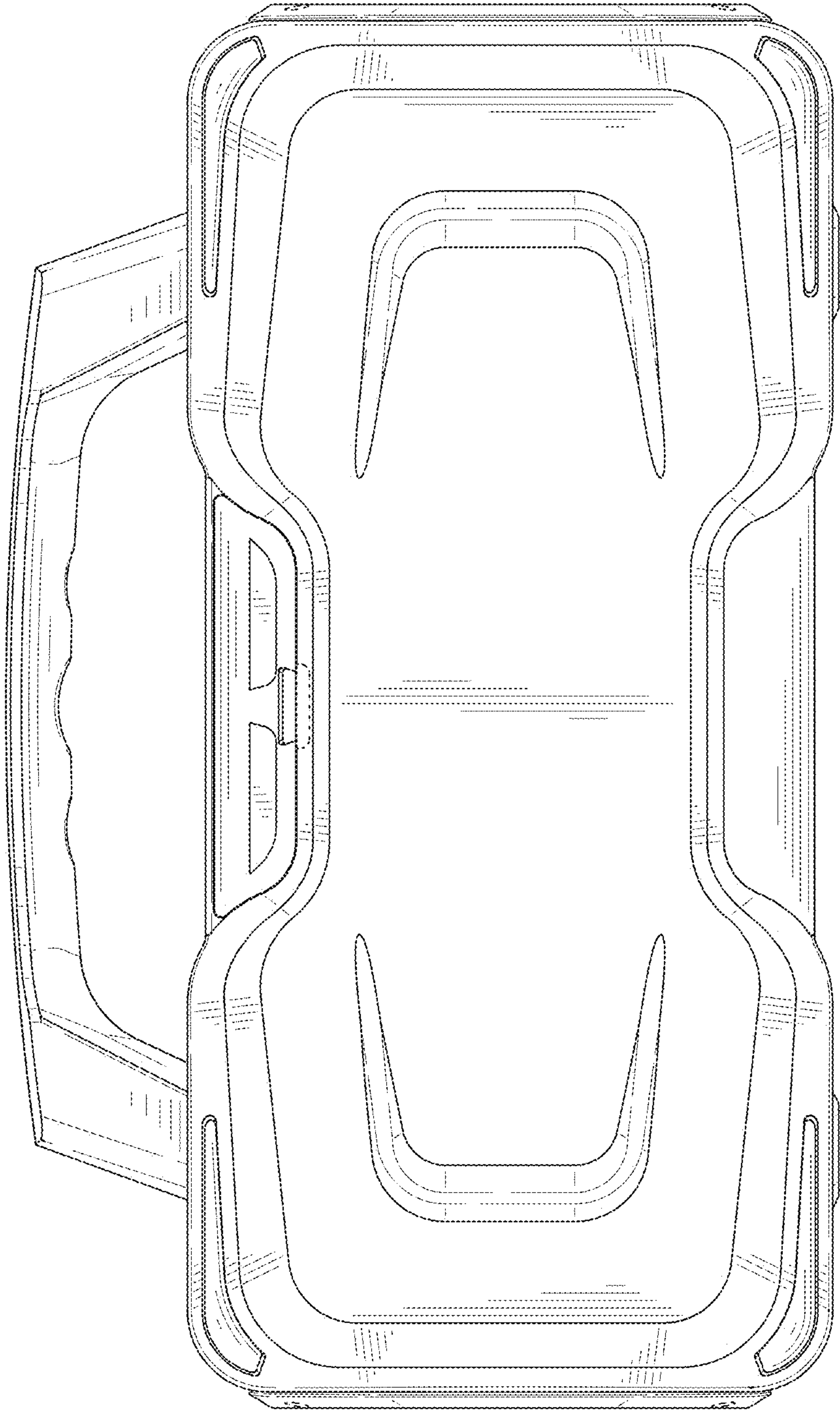


FIG. 4



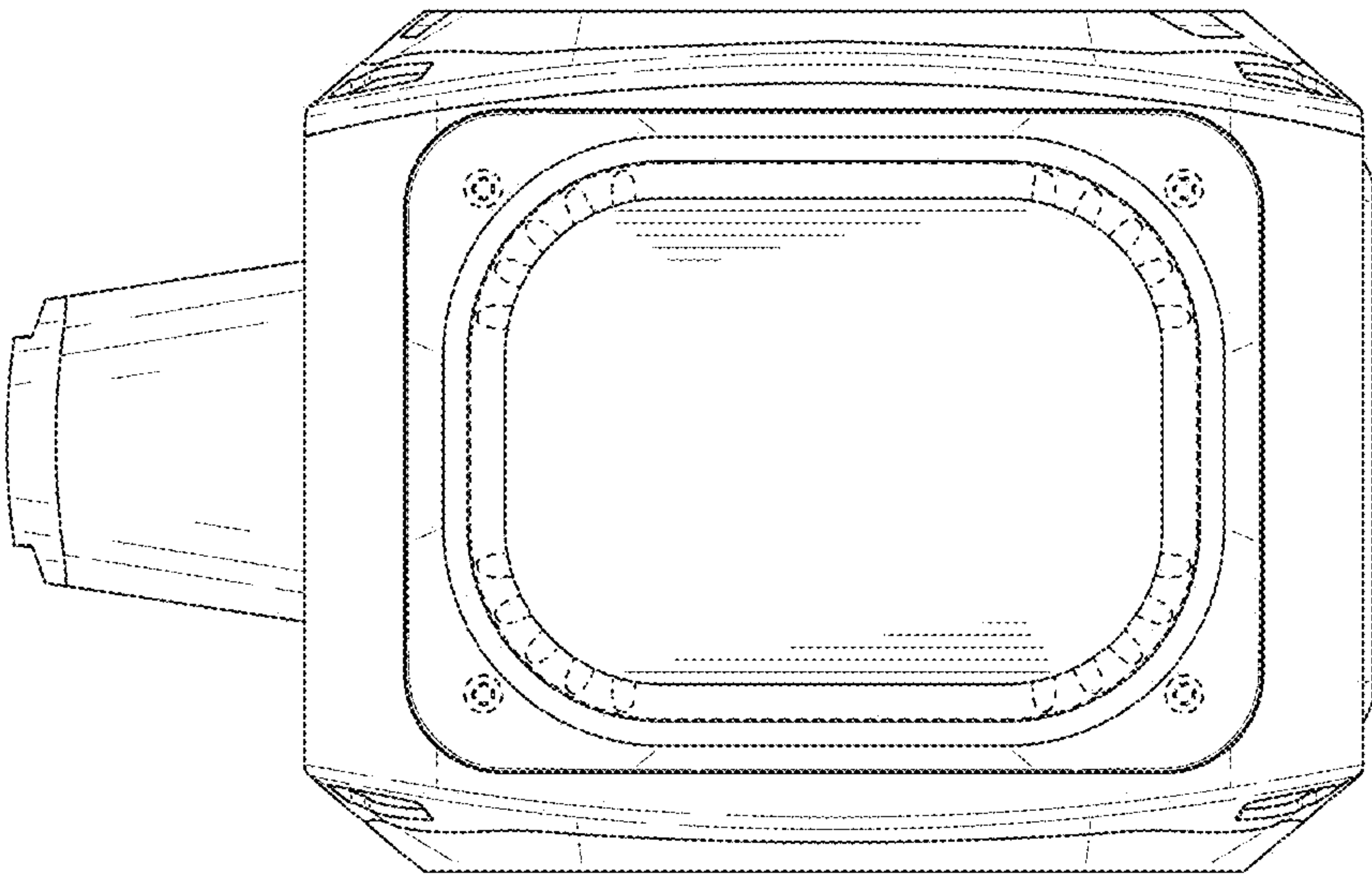


FIG. 5

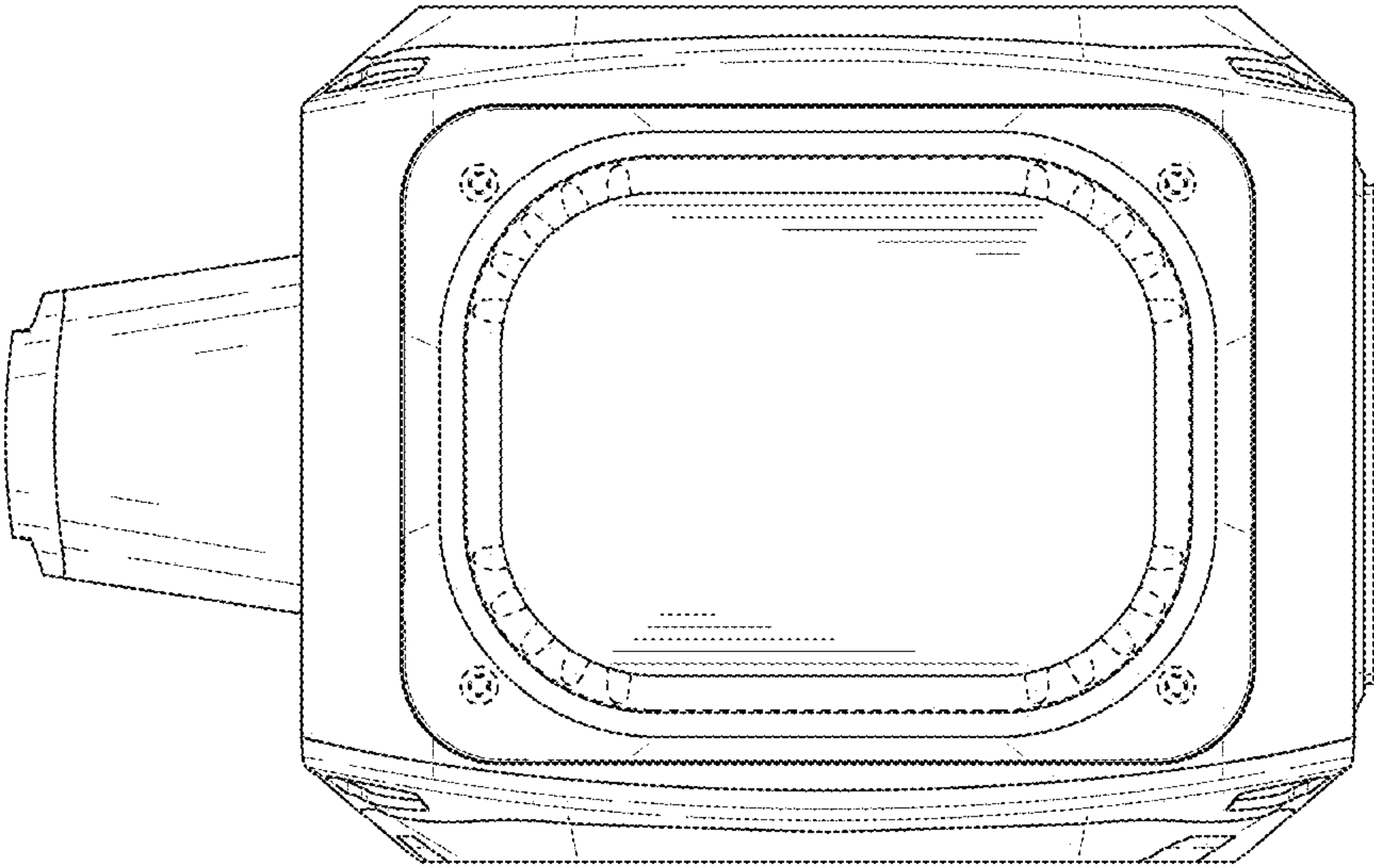


FIG. 6

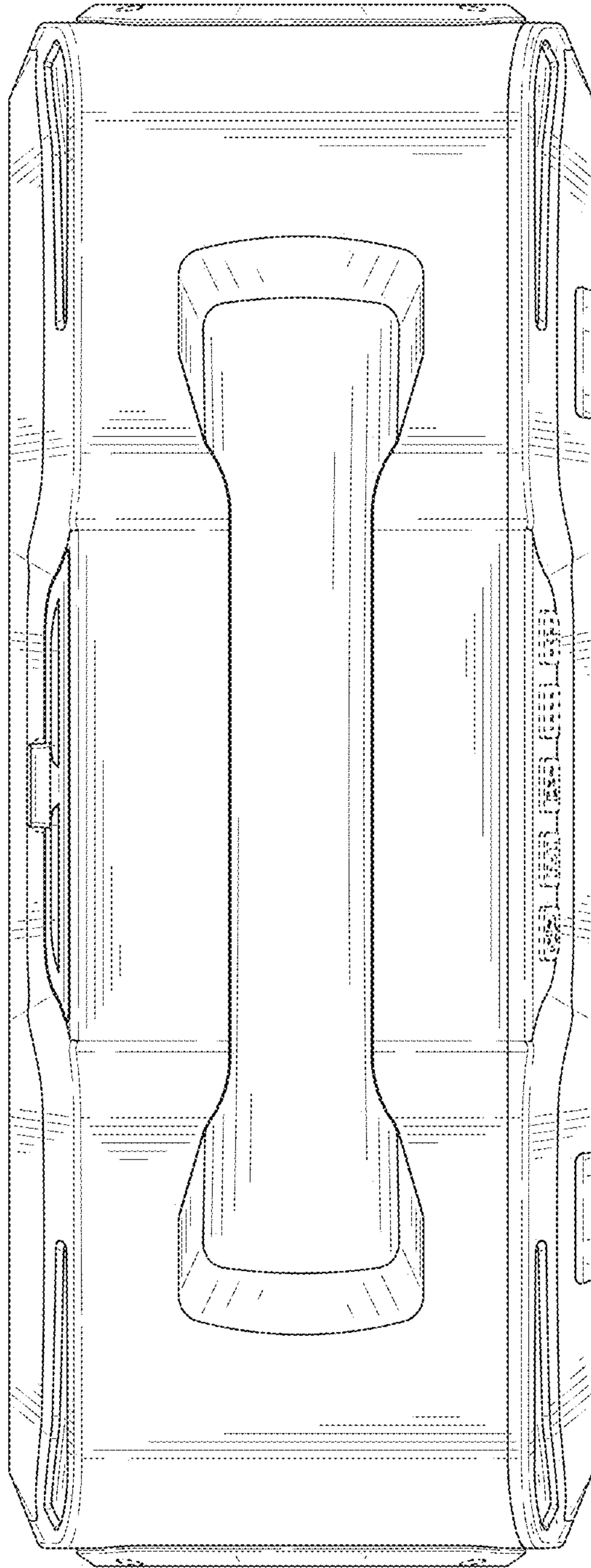


FIG. 7



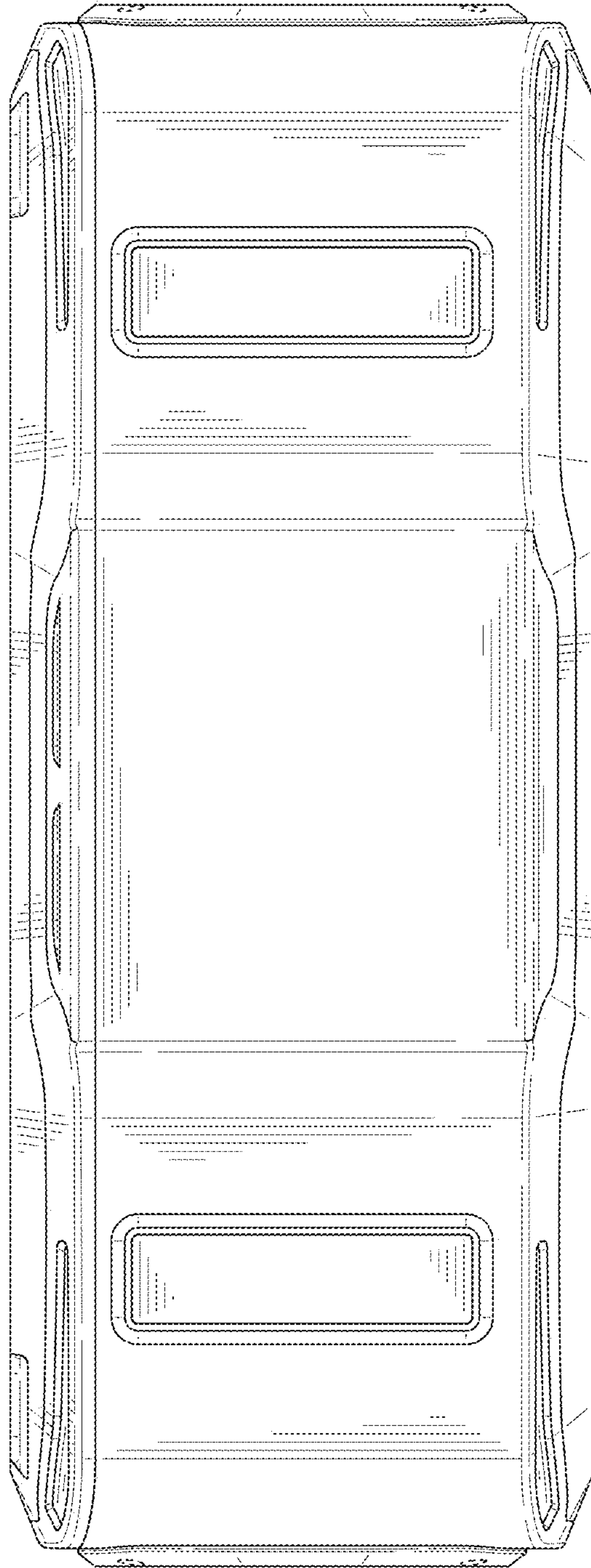


FIG. 8