



US00D942414S

(12) **United States Design Patent**
Liu

(10) **Patent No.:** **US D942,414 S**

(45) **Date of Patent:** **** Feb. 1, 2022**

(54) **HEADPHONE**

(71) Applicant: **Shenzhen Jing Peng Xing Electronic Technology Co., Ltd., Shenzhen (CN)**

(72) Inventor: **Qi Liu, Shenzhen (CN)**

(**) Term: **15 Years**

(21) Appl. No.: **29/779,306**

(22) Filed: **Apr. 19, 2021**

(51) **LOC (13) Cl.** **14-01**

(52) **U.S. Cl.**

USPC **D14/206**; D14/226

(58) **Field of Classification Search**

USPC D14/206, 226, 205, 188, 192, 215, 216,
D14/219, 225, 485; D29/112; 2/209;
D12/114; D6/583; 381/380, 381, 186;
455/90.3, 575.1, 569.1

CPC H04R 25/00; H04R 25/02; H04R 1/1066;
H04R 1/1016; H04R 19/04; H04R 5/033;
H04R 5/0335; H04R 1/10; H04R 1/1008

See application file for complete search history.

(56) **References Cited**

U.S. PATENT DOCUMENTS

D171,936 S *	4/1954	Gates, Jr.	D6/583
3,488,457 A *	1/1970	Lahti	H04R 1/1008 381/371
D223,256 S *	4/1972	Thomson	D14/205
D244,037 S *	4/1977	Warner	D14/205
D246,259 S *	11/1977	Nishimura	D14/205
D254,183 S *	2/1980	Doodson	D14/205
D262,019 S *	11/1981	Upshaw	D14/205
D302,429 S *	7/1989	Leer	D14/137
D317,159 S *	5/1991	Kurata	D14/216
D379,355 S *	5/1997	Larson	D14/219
D384,076 S *	9/1997	Lazzeroni	D12/114
D400,206 S *	10/1998	Mahgerfteh	D14/188
6,081,604 A *	6/2000	Hikichi	H04R 1/083 381/124

D567,215 S *	4/2008	Lee	D14/205
D604,266 S *	11/2009	Milde	D14/205
D610,125 S *	2/2010	Ichikawa	D14/188
D652,022 S *	1/2012	Miyawaki	D14/216
8,098,872 B2 *	1/2012	Chang	H04R 1/1075 381/371
D678,860 S *	3/2013	Hagelin	D14/205
D683,329 S *	5/2013	Hagelin	D14/205

(Continued)

FOREIGN PATENT DOCUMENTS

EM	006599643-0001	*	6/2019
EM	008057400-0001	*	7/2020

(Continued)

Primary Examiner — Paula Allen Greene

(57) **CLAIM**

The ornamental design for a headphone, as shown and described.

DESCRIPTION

FIG. 1 is a front and top perspective view of a headphone showing my new design;

FIG. 2 is a rear and bottom perspective view thereof;

FIG. 3 is a front elevation view thereof;

FIG. 4 is a rear elevation view thereof;

FIG. 5 is a left side elevation view thereof;

FIG. 6 is a right side elevation view thereof;

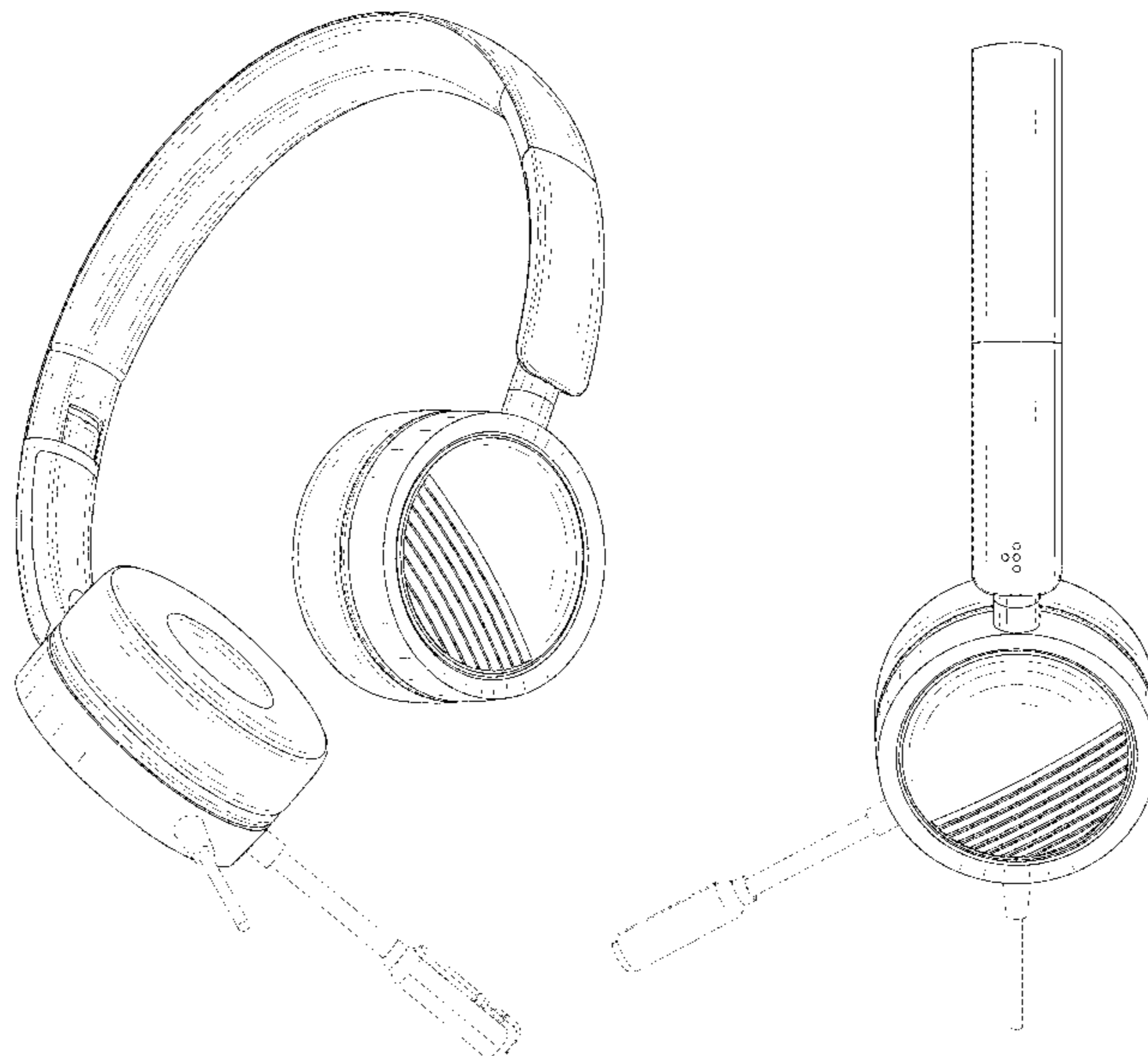
FIG. 7 is a top plan view thereof;

FIG. 8 is a bottom plan view thereof; and,

FIG. 9 is an enlarged view of a portion indicated with numeric 9 in FIG. 5.

The broken lines in the figures illustrate portions of the headphone that form no part of the claimed design. The dash dot dash lines in FIGS. 5 and 9 are for the purpose of depicting the cut line of the enlarged view and form no part of the claim.

1 Claim, 9 Drawing Sheets



(56)

References Cited

U.S. PATENT DOCUMENTS

8,620,007 B2 * 12/2013 Lee H04R 5/033
 381/104
 D702,210 S * 4/2014 Birger H04R 1/1016
 D14/205
 D706,242 S * 6/2014 Yang H04R 1/1066
 D14/205
 8,755,555 B2 * 6/2014 Dougherty H04R 1/1066
 381/378
 D708,163 S * 7/2014 Ishikura D14/205
 D712,872 S * 9/2014 Yuen D14/205
 D723,508 S * 3/2015 Garland D14/205
 D728,512 S * 5/2015 Nakagawa D14/205
 D733,090 S * 6/2015 Petersen D14/205
 D745,859 S * 12/2015 Kiuchi D14/205
 D759,626 S * 6/2016 Wagner D14/205
 D765,055 S * 8/2016 Hsieh D14/205
 D766,870 S * 9/2016 Catalano D14/205
 D769,219 S * 10/2016 Ohmachi D14/205
 D822,407 S * 7/2018 Rodenberger D6/583
 D834,557 S * 11/2018 Hardi D14/205
 D841,615 S * 2/2019 Bian D14/205
 D841,616 S * 2/2019 Bian D14/205
 D851,062 S * 6/2019 Saule D14/205
 D856,303 S * 8/2019 Ando D14/205

D866,515 S * 11/2019 Long D14/206
 D868,029 S * 11/2019 Hanggi D14/205
 D870,080 S * 12/2019 Zeng D14/223
 D890,131 S * 7/2020 Shen D14/206
 D893,454 S * 8/2020 Li D14/206
 D894,869 S * 9/2020 Tang D14/206
 D908,110 S 1/2021 Zhou
 D910,594 S * 2/2021 Chen D14/206
 D934,198 S * 10/2021 Michaelian D14/205
 D936,632 S * 11/2021 Zhong D14/205
 2003/0103637 A1 * 6/2003 Huang H04R 1/1075
 381/309
 2008/0166002 A1 * 7/2008 Amsel H04R 5/033
 381/370
 2020/0389719 A1 * 12/2020 Morris H04R 1/1066
 2021/0084401 A1 * 3/2021 Smiechowski H04R 1/1041

FOREIGN PATENT DOCUMENTS

EM 008465173-0001 * 3/2021
 EM 008591523-0001 * 6/2021
 EM 008595177-0001 * 6/2021
 GB 9008151245-0001 * 8/2020
 GB 6160063 * 9/2021
 JP D1488285 * 12/2013

* cited by examiner



FIG. 1



FIG. 2



FIG. 3



FIG. 4

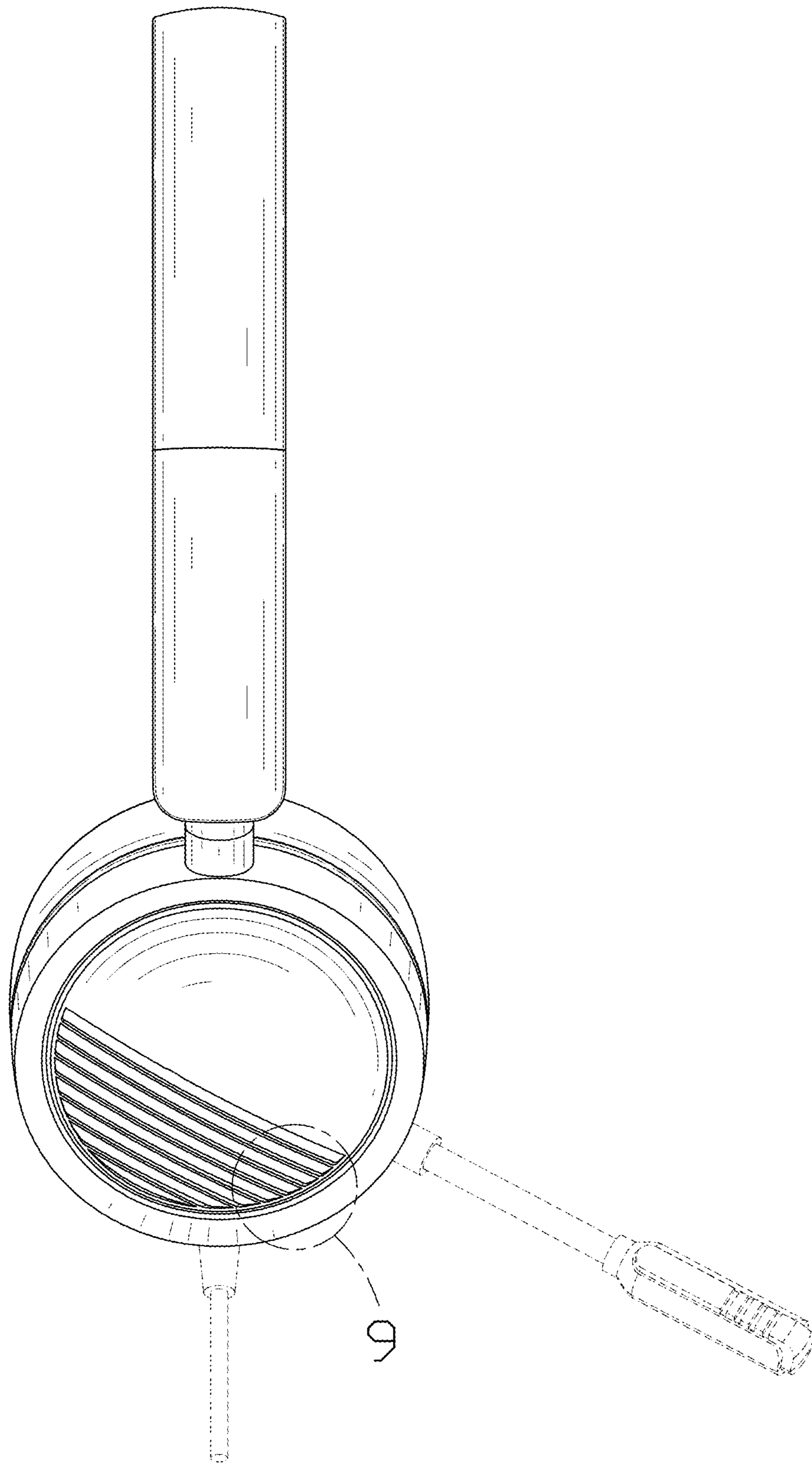


FIG. 5

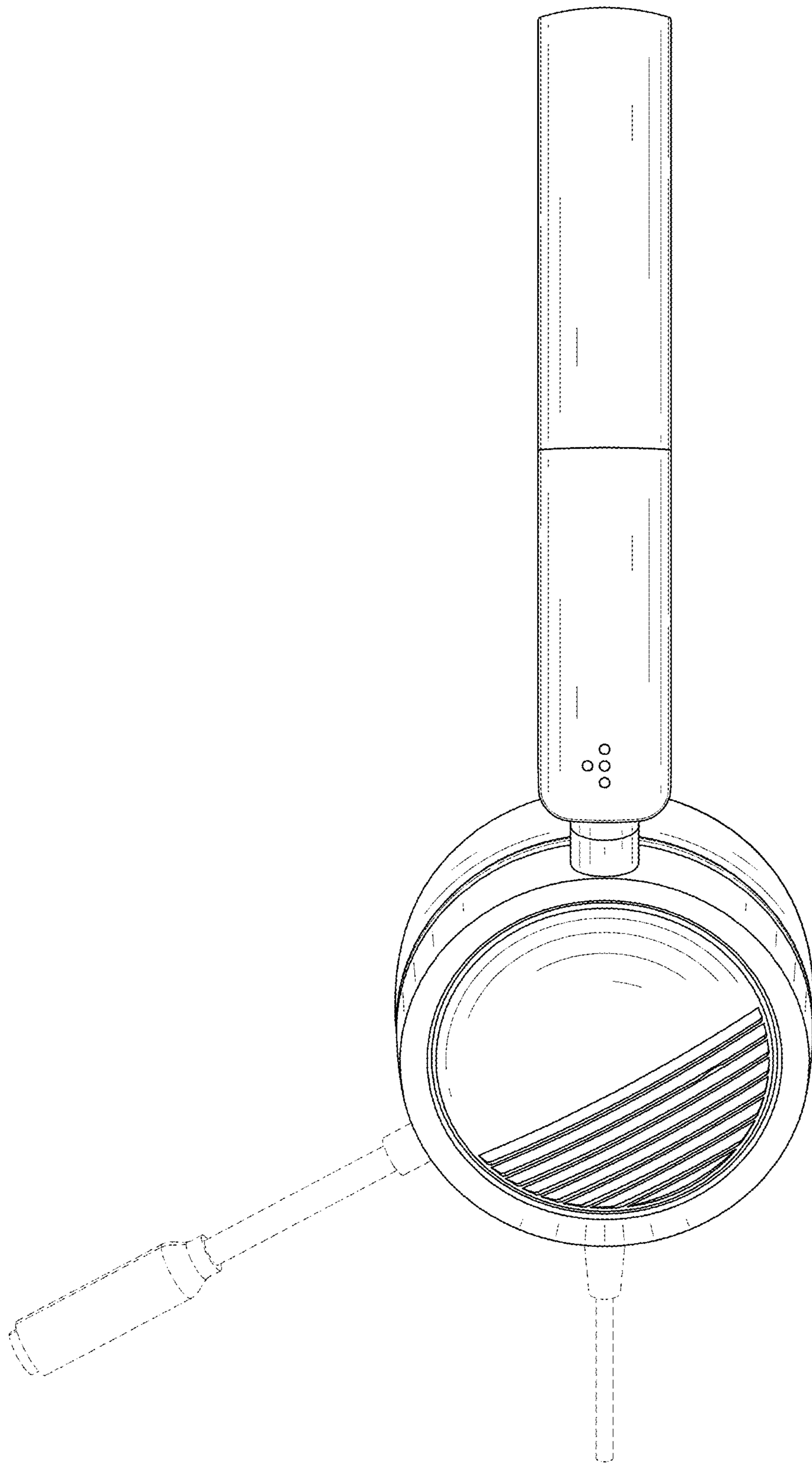


FIG. 6

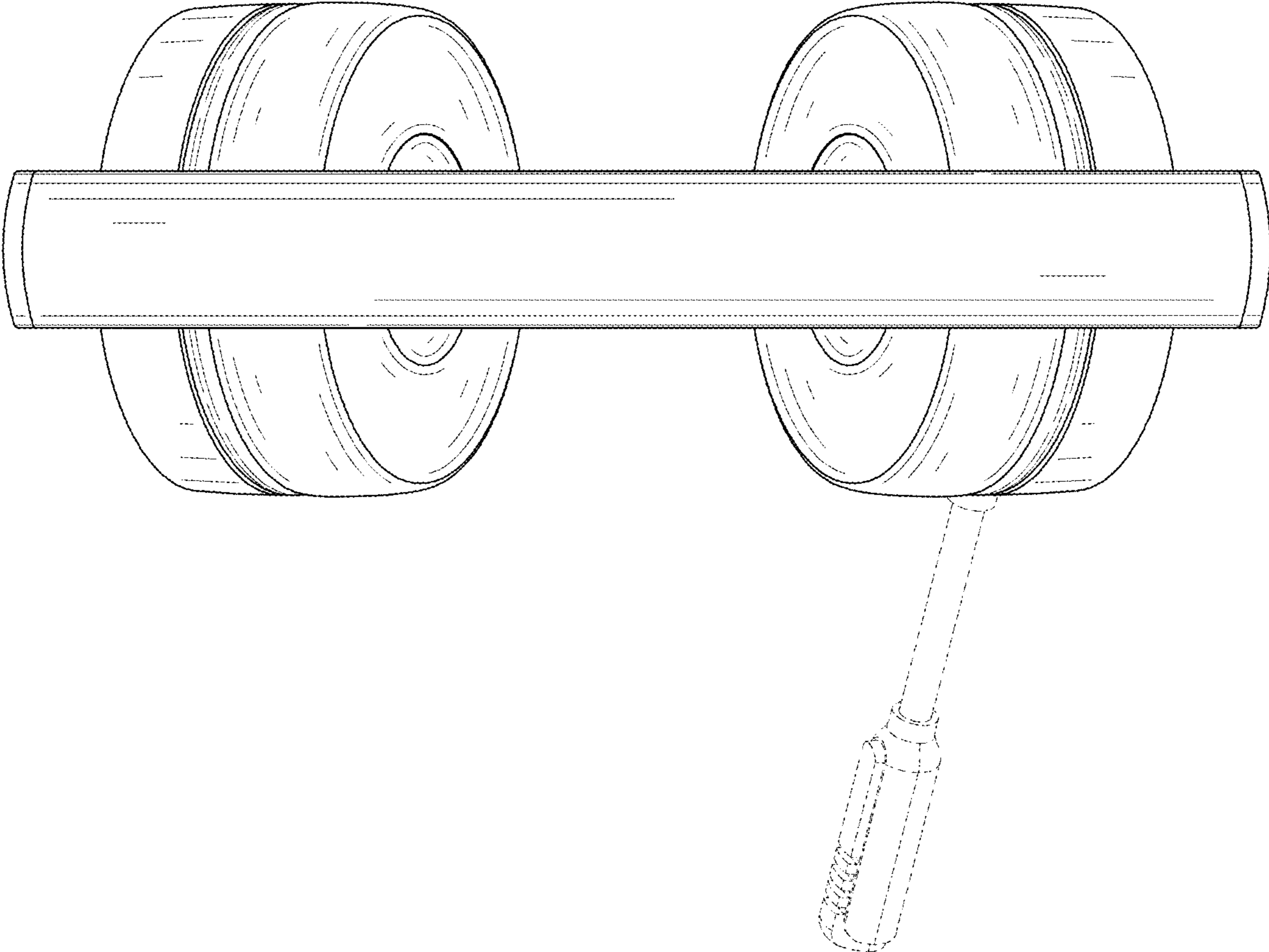


FIG. 7

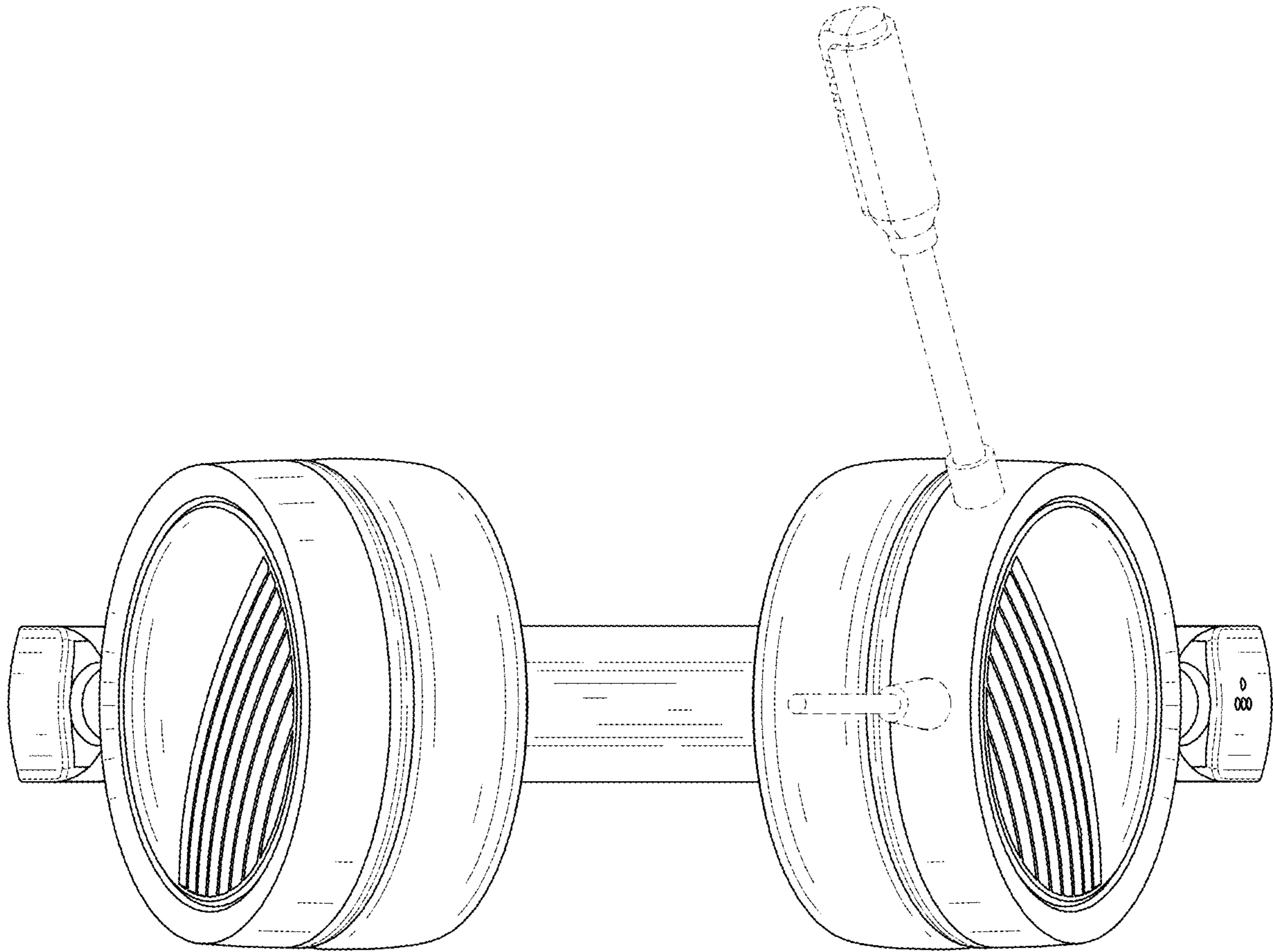


FIG. 8

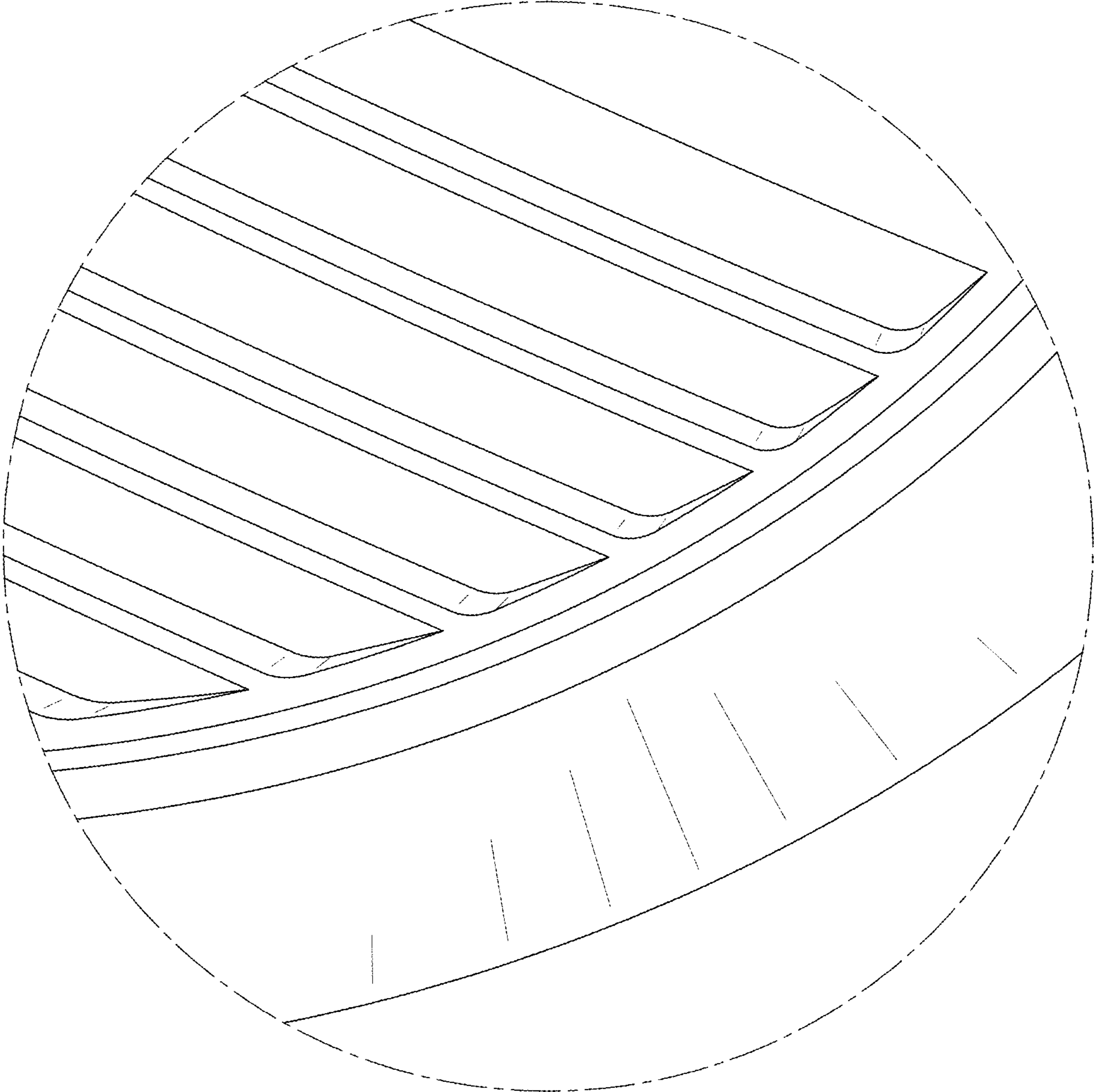


FIG. 9