



US00D942412S

(12) **United States Design Patent** (10) **Patent No.:** **US D942,412 S**
Hsu (45) **Date of Patent:** **** Feb. 1, 2022**

(54) **LAMP WITH AN AUDIO BROADCAST FUNCTION**

(71) Applicant: **Dong Guan Jia Sheng Lighting Technology Co., Ltd. China, Dong-Guna (CN)**

(72) Inventor: **Kevin Hsu, Taichung (TW)**

(73) Assignee: **Dong Guan Jia Sheng Lighting Technology Co., Ltd. China, Guang-Dong (CN)**

(**) Term: **15 Years**

(21) Appl. No.: **29/698,127**

(22) Filed: **Jul. 15, 2019**

(51) **LOC (13) Cl.** **14-01**

(52) **U.S. Cl.**
USPC **D14/204**

(58) **Field of Classification Search**
USPC D14/204, 496, 216, 209.1, 214, 172;
D26/67

CPC H04R 1/02; H04R 1/021; H04R 1/026;
H04R 1/028; H04R 1/403; H04R 1/2803;
H04R 5/02; H04R 9/06; H04R 9/13;
H04R 2201/021; H04R 2400/00; H04R
2499/11

See application file for complete search history.

(56) **References Cited**

U.S. PATENT DOCUMENTS

D377,229 S *	1/1997	Shalvi	D26/104
D479,355 S *	9/2003	Dalton	D26/67
D485,004 S *	1/2004	Olson	D26/104
D495,079 S *	8/2004	Mullen	D26/63
D519,658 S *	4/2006	Izardel	D26/40
D541,462 S *	4/2007	Mama	D10/111
D604,866 S *	11/2009	Randazzo	D25/126

D639,988 S *	6/2011	Chen	D26/67
D657,087 S *	4/2012	Krogman	D26/68
8,292,452 B2 *	10/2012	Ko	F21V 21/0824 362/183
8,585,238 B2 *	11/2013	Krogman	F21S 8/00 362/235
D713,579 S *	9/2014	Chen	D26/63
D729,777 S *	5/2015	Ono	D14/224
D735,923 S *	8/2015	Helms	D26/63
D738,855 S *	9/2015	Park	D14/215
9,591,843 B2 *	3/2017	Formico	F21K 9/00
D827,898 S *	9/2018	Li	D26/67
D827,899 S *	9/2018	Li	D26/67
D847,115 S *	4/2019	Li	D14/204
10,337,705 B2 *	7/2019	Rolf	H02J 7/00302
D864,904 S *	10/2019	Cheng	D14/209.1
D876,712 S *	2/2020	Bembridge	D26/138
D878,669 S *	3/2020	Bembridge	D26/138
D882,853 S *	4/2020	Zhou	D26/67
D883,254 S *	5/2020	Peng	D14/211
D908,108 S *	1/2021	Hsu	D14/204

* cited by examiner

Primary Examiner — Cynthia R Underwood

(74) *Attorney, Agent, or Firm* — Alan D. Kamrath; Karin L. Williams; Mayer & Williams PC

(57) **CLAIM**

The ornamental design for a lamp with an audio broadcast function, as shown and described.

DESCRIPTION

FIG. 1 is a perspective view of a lamp with an audio broadcast function showing my design.

FIG. 2 is a front elevational view thereof.

FIG. 3 is a rear elevational view thereof.

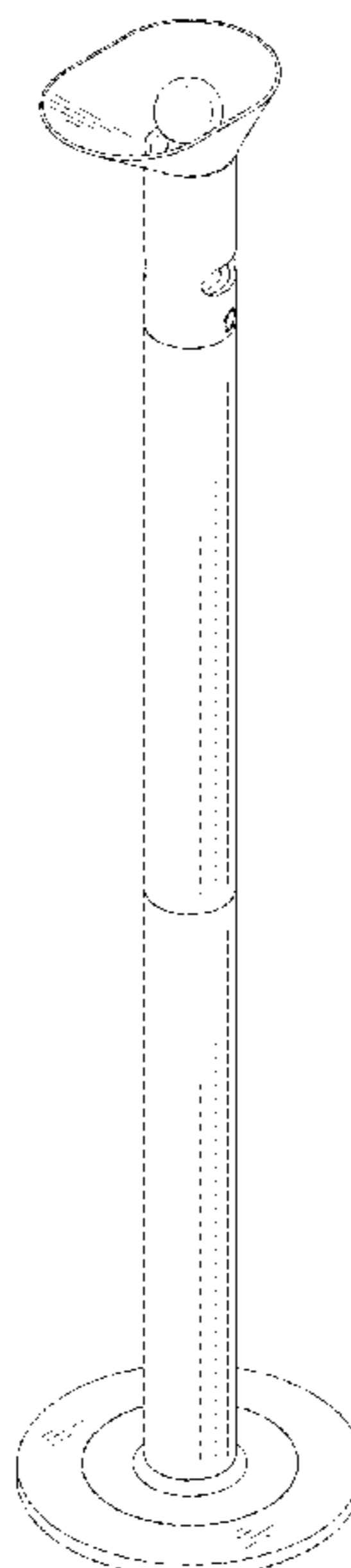
FIG. 4 is a left side elevational view thereof.

FIG. 5 is a right side elevational view thereof.

FIG. 6 is a top plan view thereof; and,

FIG. 7 is a bottom plan view thereof.

1 Claim, 4 Drawing Sheets



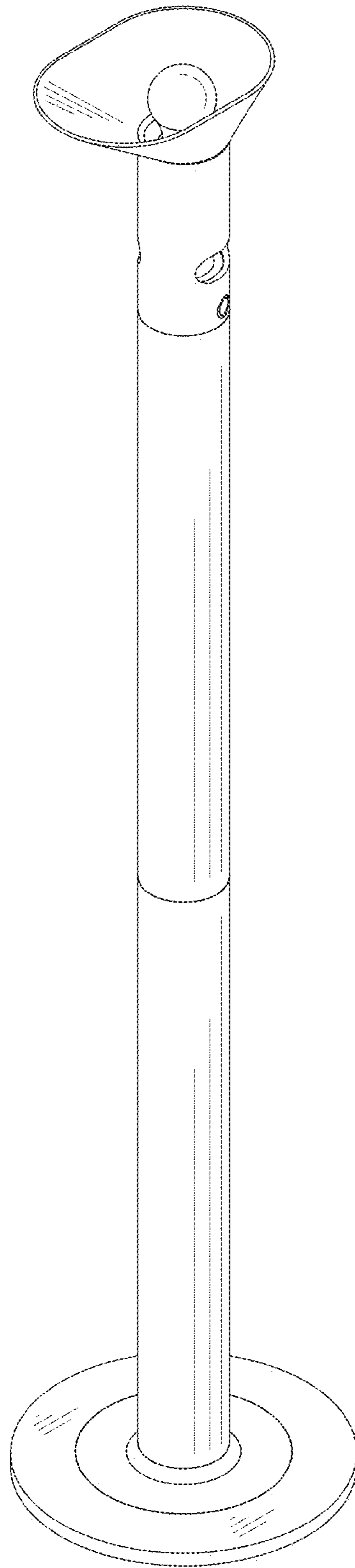


FIG.1

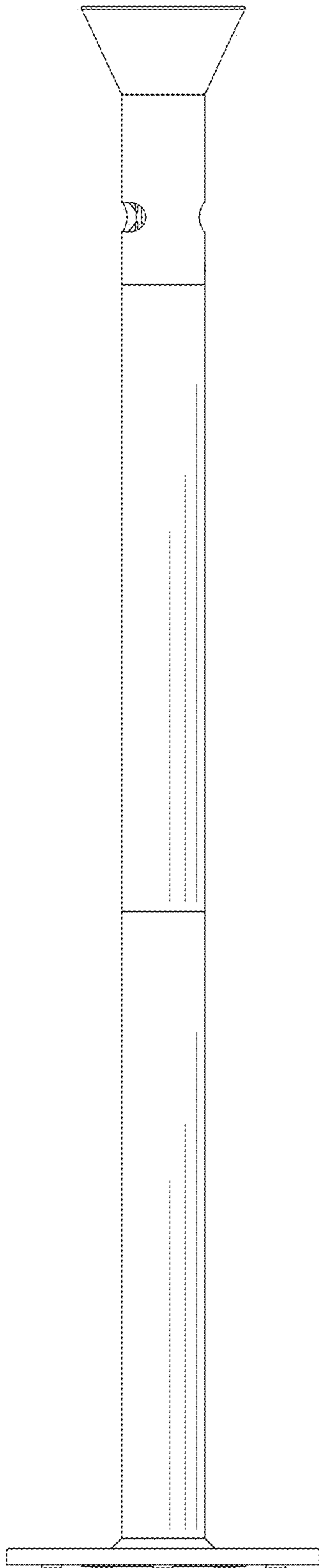


FIG. 2

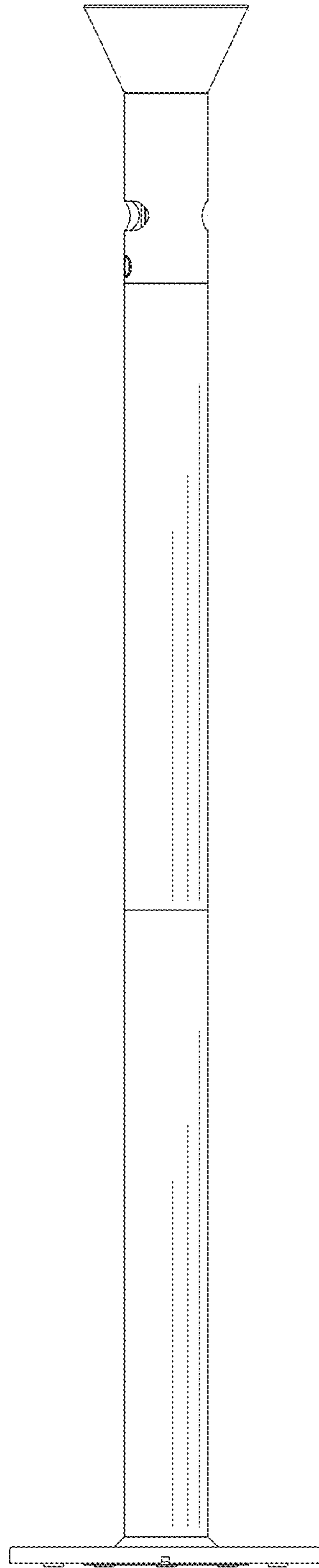


FIG. 3

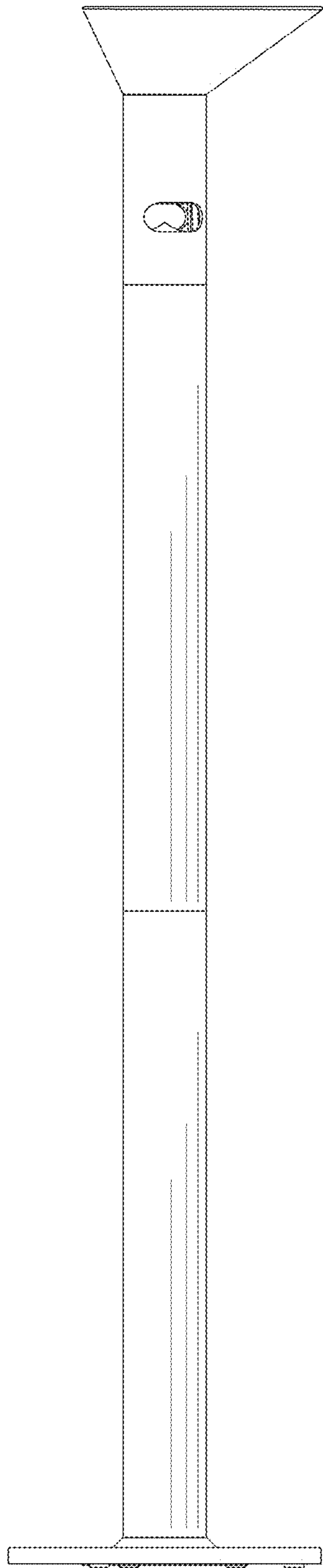


FIG. 4

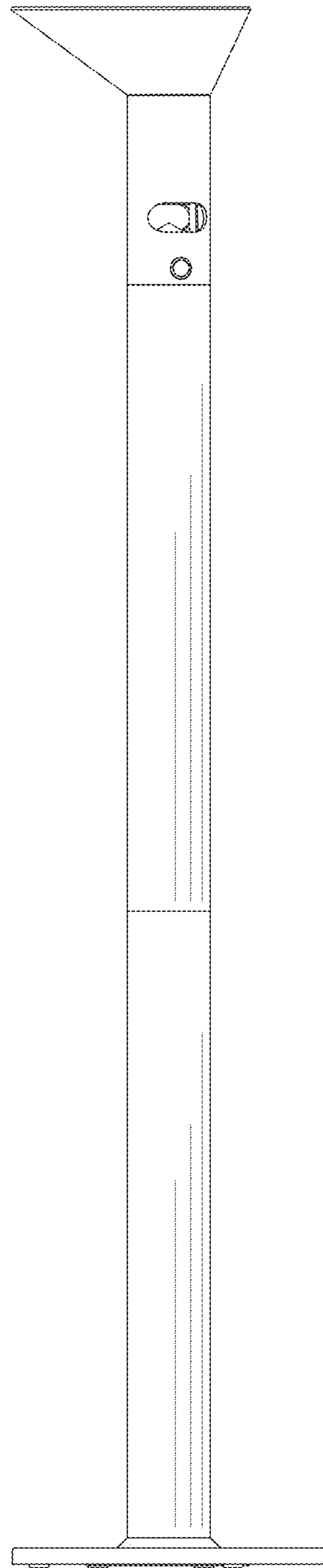


FIG. 5

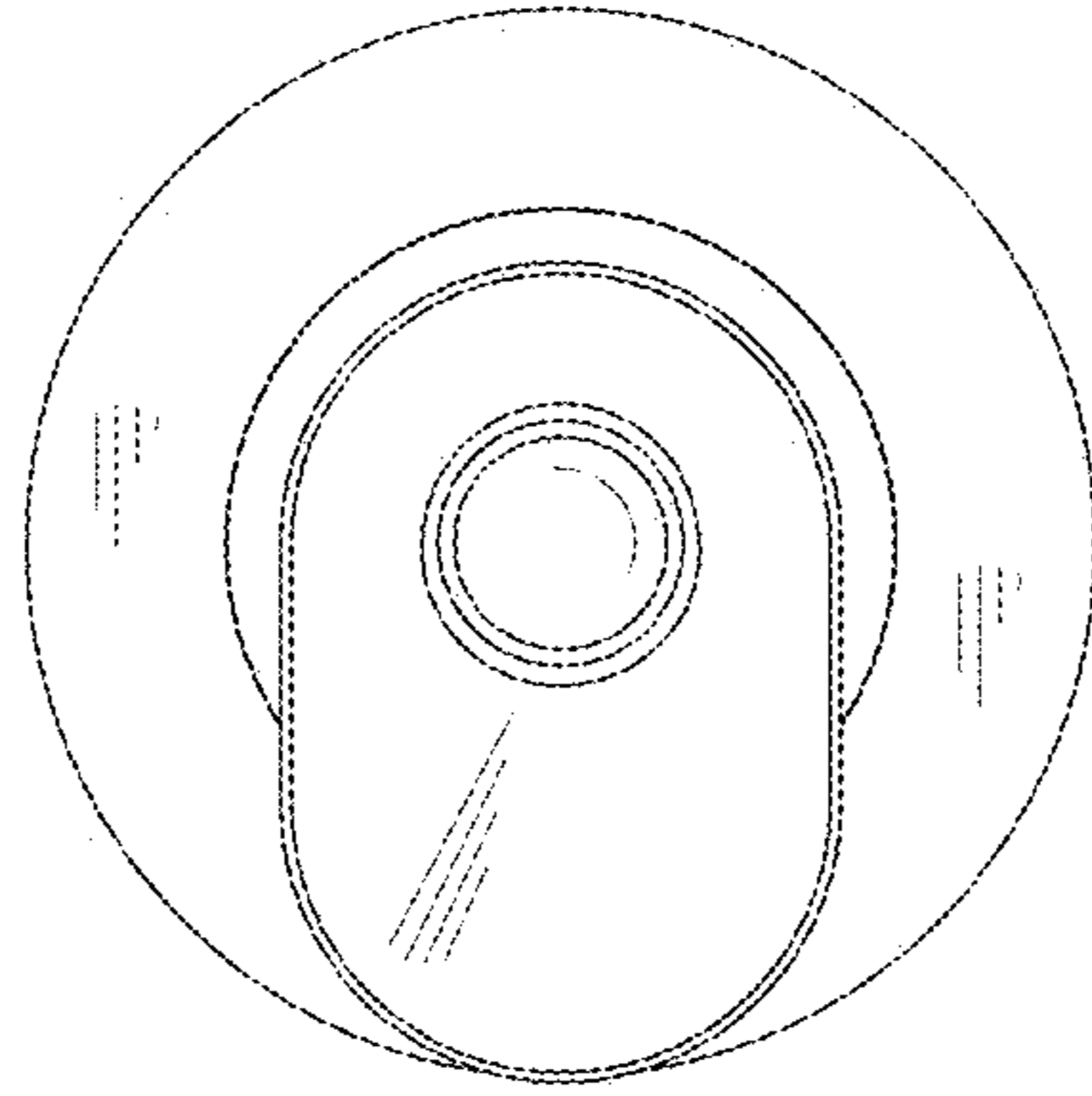


FIG. 6

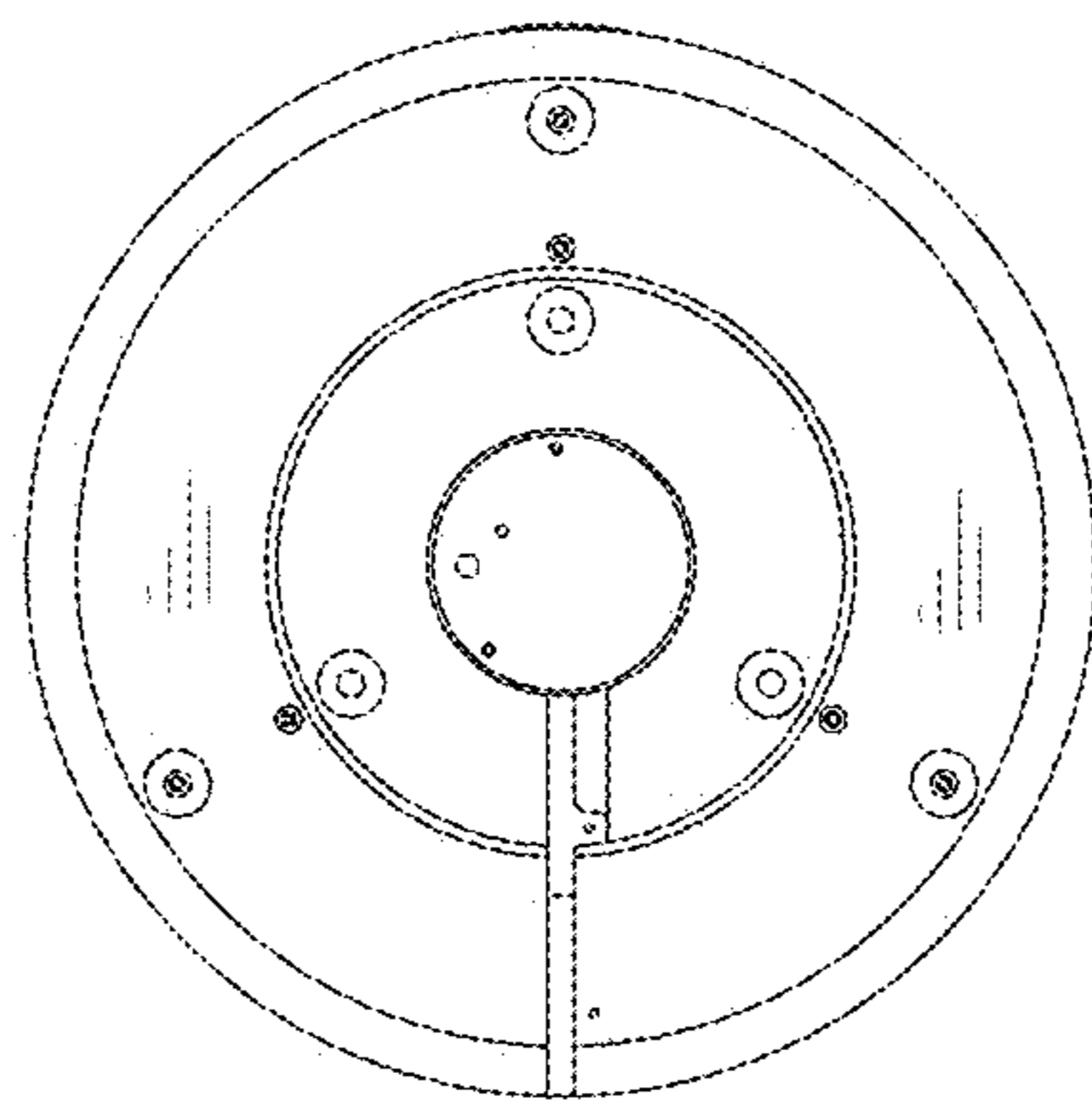


FIG. 7