

US00D942411S

(12) **United States Design Patent** (10) **Patent No.:** **US D942,411 S**
Hsu (45) **Date of Patent:** **** Feb. 1, 2022**

(54) **LAMP WITH AN AUDIO BROADCAST FUNCTION**

(71) Applicant: **Dong Guan Jia Sheng Lighting Technology Co., Ltd. China, Dong-Guna (CN)**

(72) Inventor: **Kevin Hsu, Taichung (TW)**

(73) Assignee: **Dong Guan Jia Sheng Lighting Technology Co., Ltd. China, Guang-Dong (CN)**

(**) Term: **15 Years**

(21) Appl. No.: **29/698,110**

(22) Filed: **Jul. 15, 2019**

(51) **LOC (13) Cl.** **14-01**

(52) **U.S. Cl.**
USPC **D14/204**

(58) **Field of Classification Search**
USPC D14/204, 496, 216, 209.1, 214, 172;
D26/67
CPC H04R 1/02; H04R 1/021; H04R 1/026;
H04R 1/028; H04R 1/403; H04R 1/2803;
H04R 5/02; H04R 9/06; H04R 9/13;
H04R 2201/021; H04R 2400/00; H04R
2499/11

See application file for complete search history.

(56) **References Cited**

U.S. PATENT DOCUMENTS

- D377,229 S * 1/1997 Shalvi D26/104
- D479,355 S * 9/2003 Dalton D26/67
- D485,004 S * 1/2004 Olson D26/104
- D495,079 S * 8/2004 Mullen D26/63
- D519,658 S * 4/2006 Izardel D26/40
- D541,462 S * 4/2007 Mama D10/111
- D604,866 S * 11/2009 Randazzo D25/126

- D639,988 S * 6/2011 Chen D26/67
- D657,087 S * 4/2012 Krogman D26/68
- 8,292,452 B2 * 10/2012 Ko F21V 21/0824
362/183
- 8,585,238 B2 * 11/2013 Krogman F21S 8/00
362/235
- D713,579 S * 9/2014 Chen D26/63
- D729,777 S * 5/2015 Ono D14/224
- D735,923 S * 8/2015 Helms D26/63
- D738,855 S * 9/2015 Park D14/215
- 9,591,843 B2 * 3/2017 Formico F21K 9/00
- D827,898 S * 9/2018 Li D26/67
- D827,899 S * 9/2018 Li D26/67
- D847,115 S * 4/2019 Li D14/204
- 10,337,705 B2 * 7/2019 Rolf H02J 7/00302
- D864,904 S * 10/2019 Cheng D14/209.1
- D876,712 S * 2/2020 Bembridge D26/138
- D878,669 S * 3/2020 Bembridge D26/138
- D882,853 S * 4/2020 Zhou D26/67
- D883,254 S * 5/2020 Peng D14/211
- D908,108 S * 1/2021 Hsu D14/204

* cited by examiner

Primary Examiner — Cynthia R Underwood

(74) *Attorney, Agent, or Firm* — Alan D. Kamrath; Karin L. Williams; Mayer & Williams PC

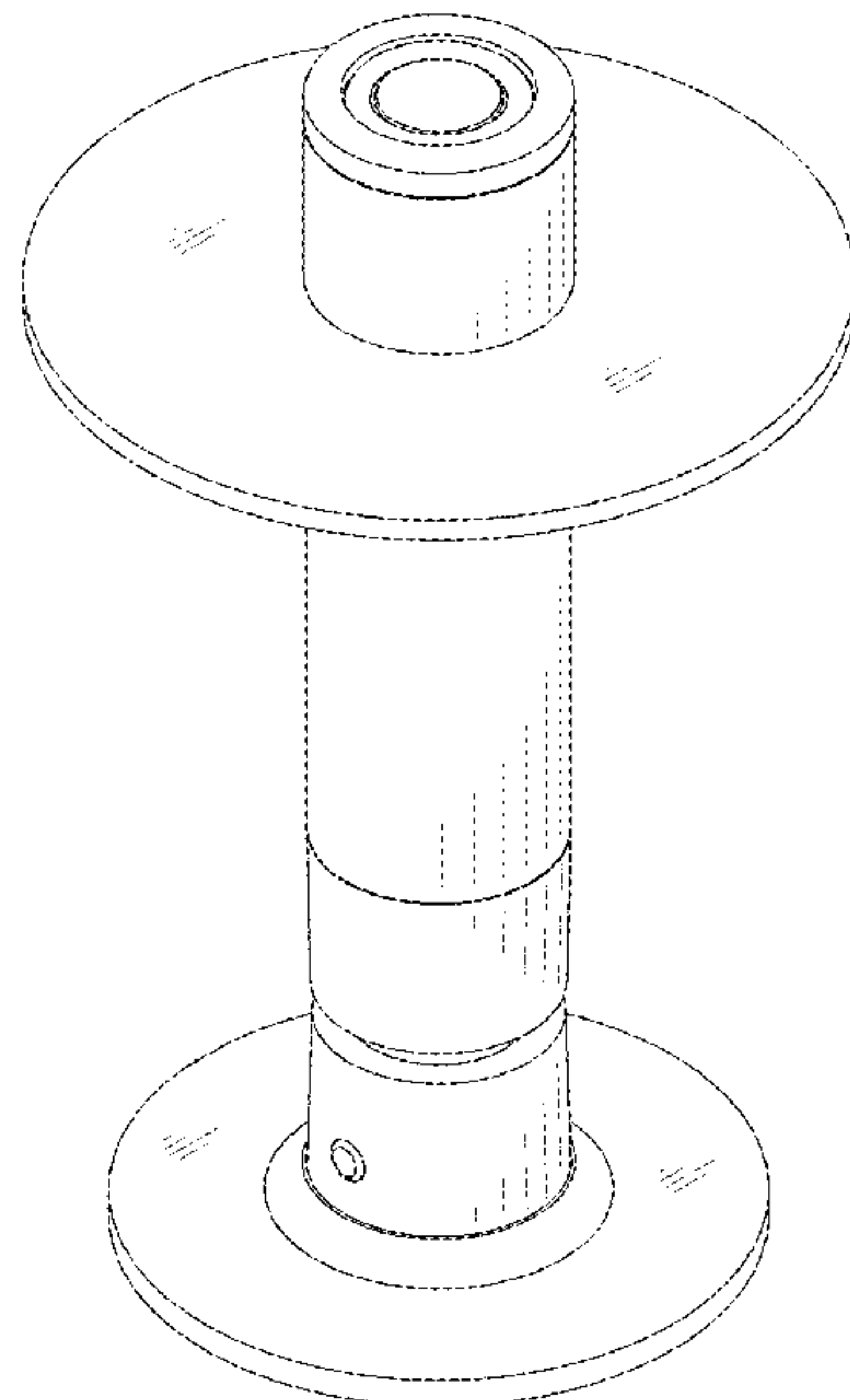
(57) **CLAIM**

The ornamental design for a lamp with an audio broadcast function, as shown and described.

DESCRIPTION

- FIG. 1 is a perspective view of a lamp with an audio broadcast function showing my design.
- FIG. 2 is a front elevational view thereof.
- FIG. 3 is a rear elevational view thereof.
- FIG. 4 is a left side elevational view thereof.
- FIG. 5 is a right side elevational view thereof.
- FIG. 6 is a top plan view thereof; and,
- FIG. 7 is a bottom plan view thereof.

1 Claim, 6 Drawing Sheets



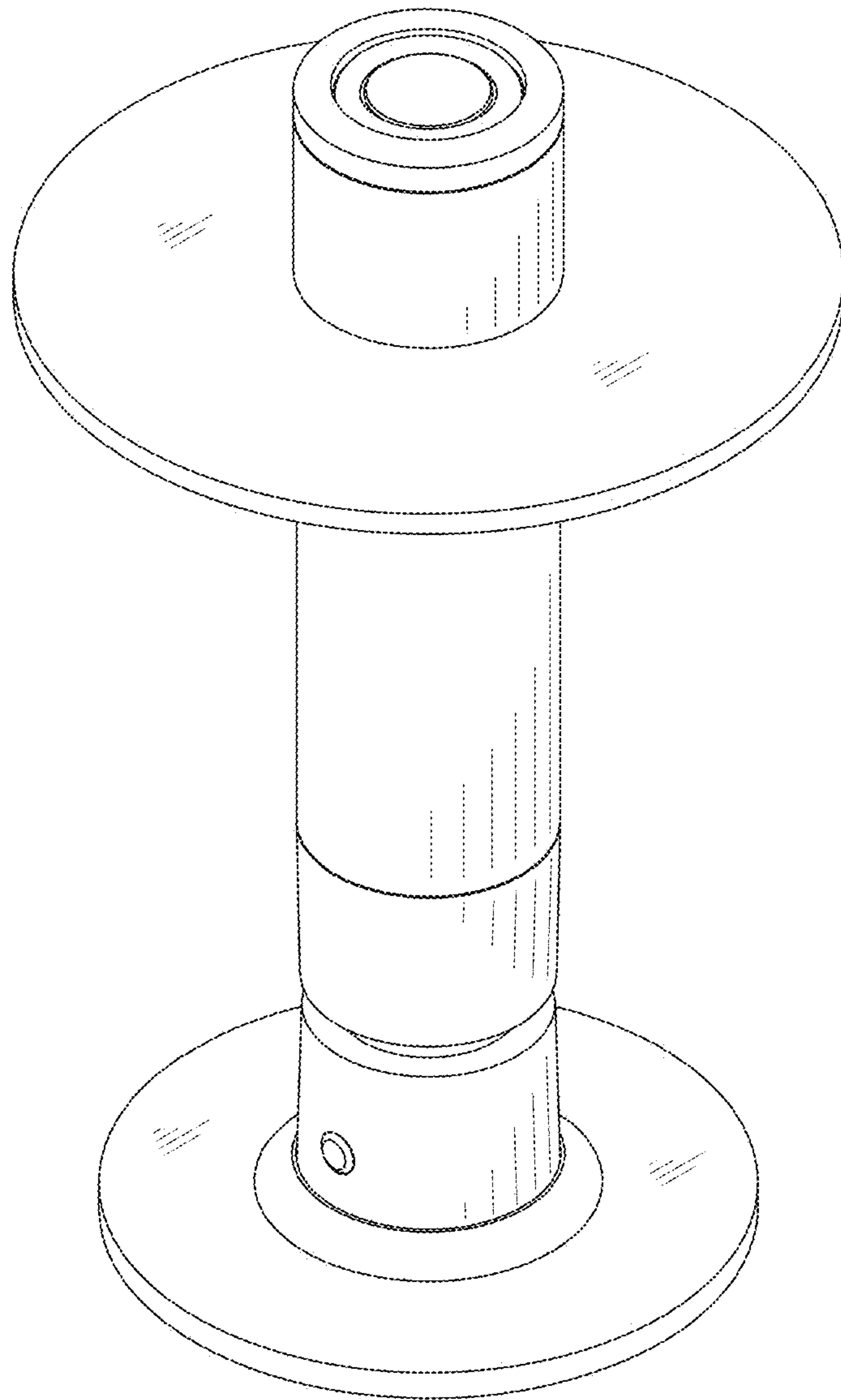


FIG.1

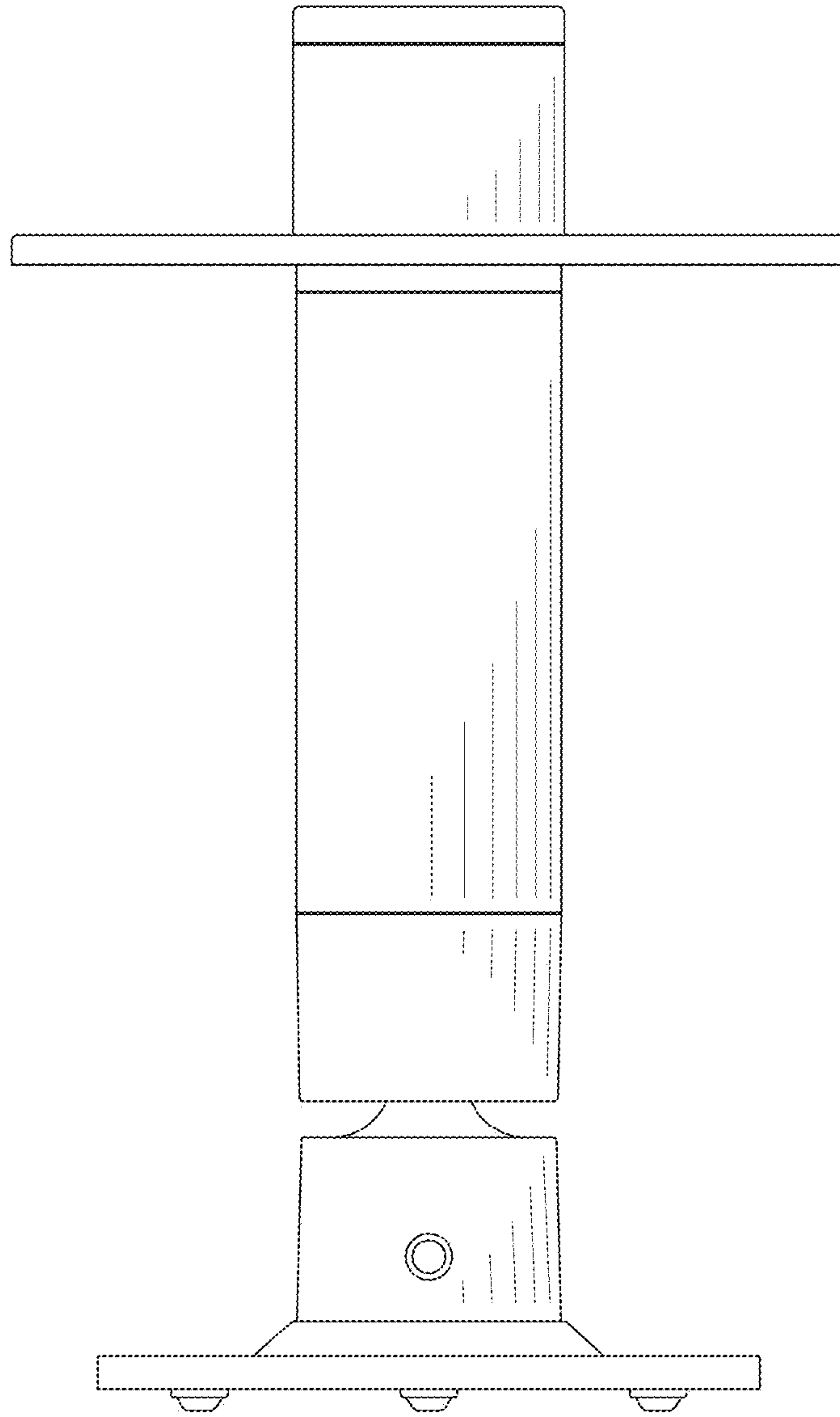


FIG.2

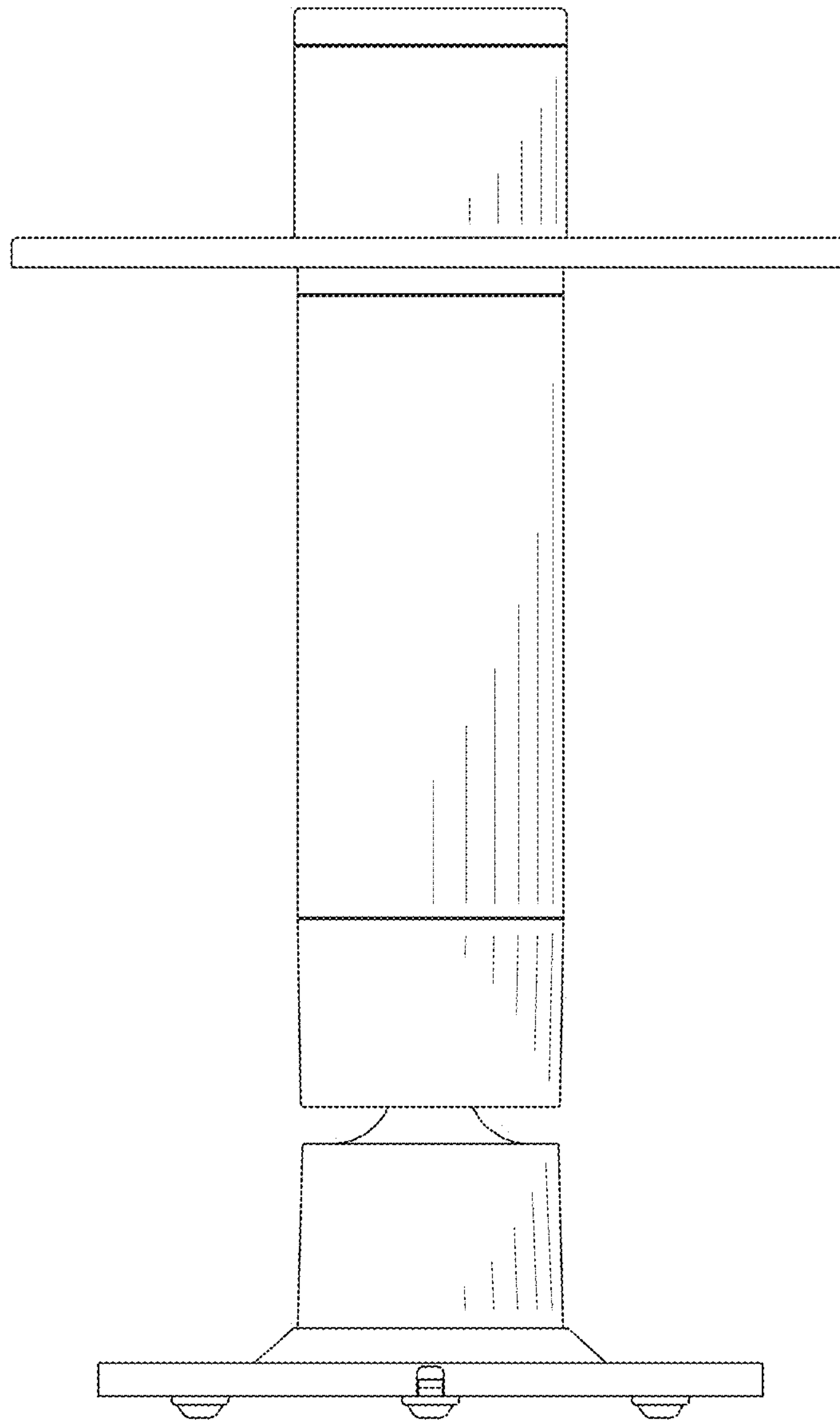


FIG.3

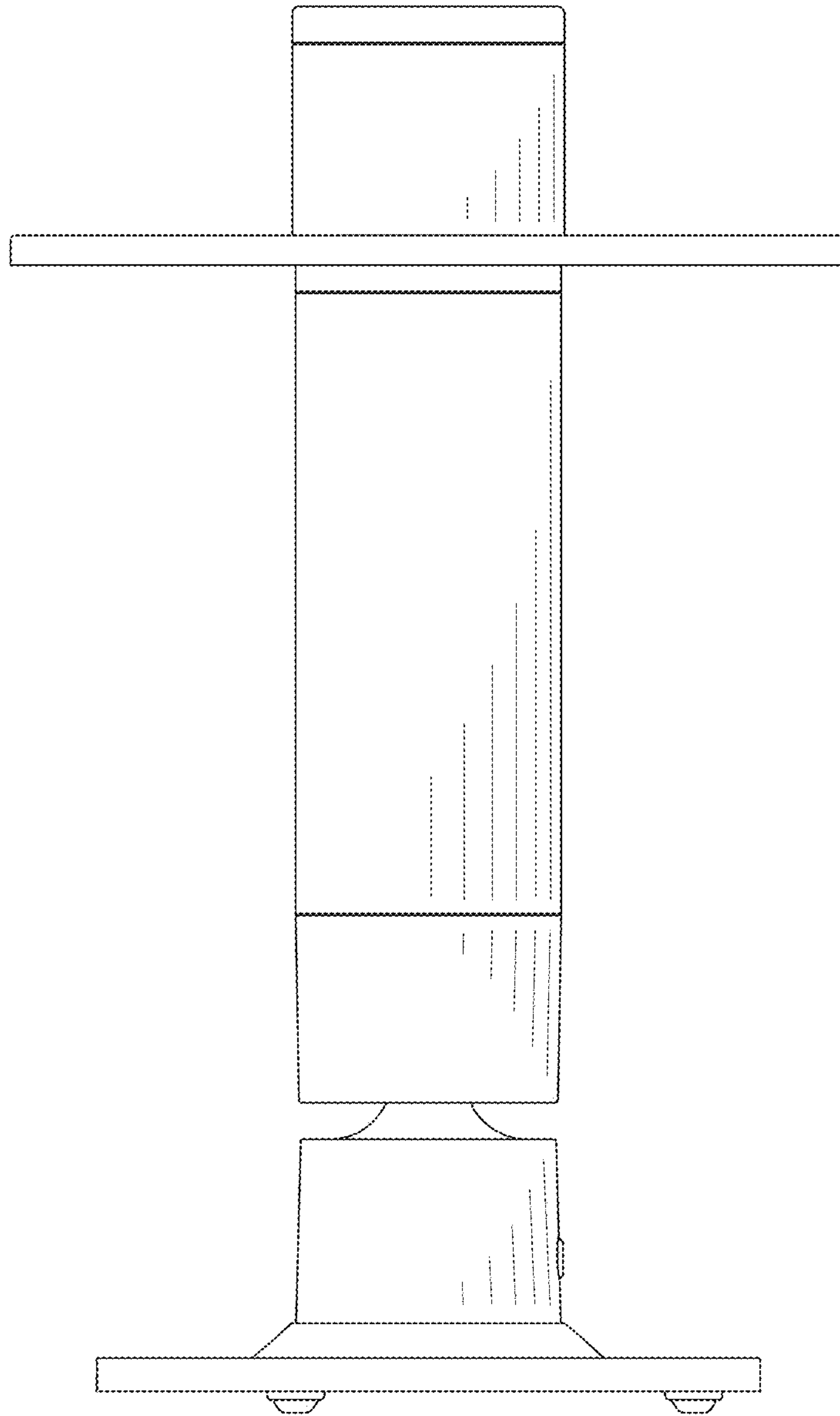


FIG.4

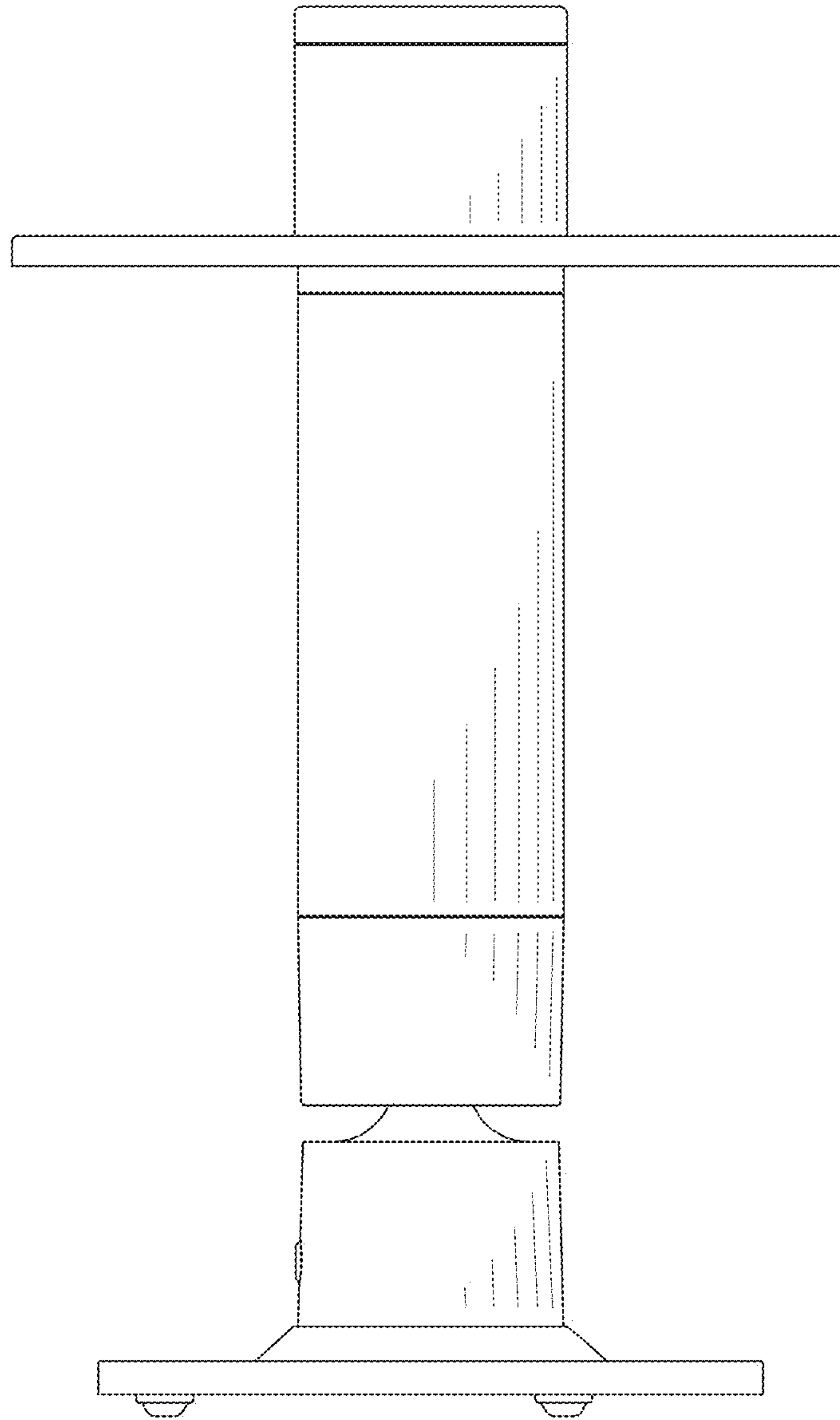


FIG.5

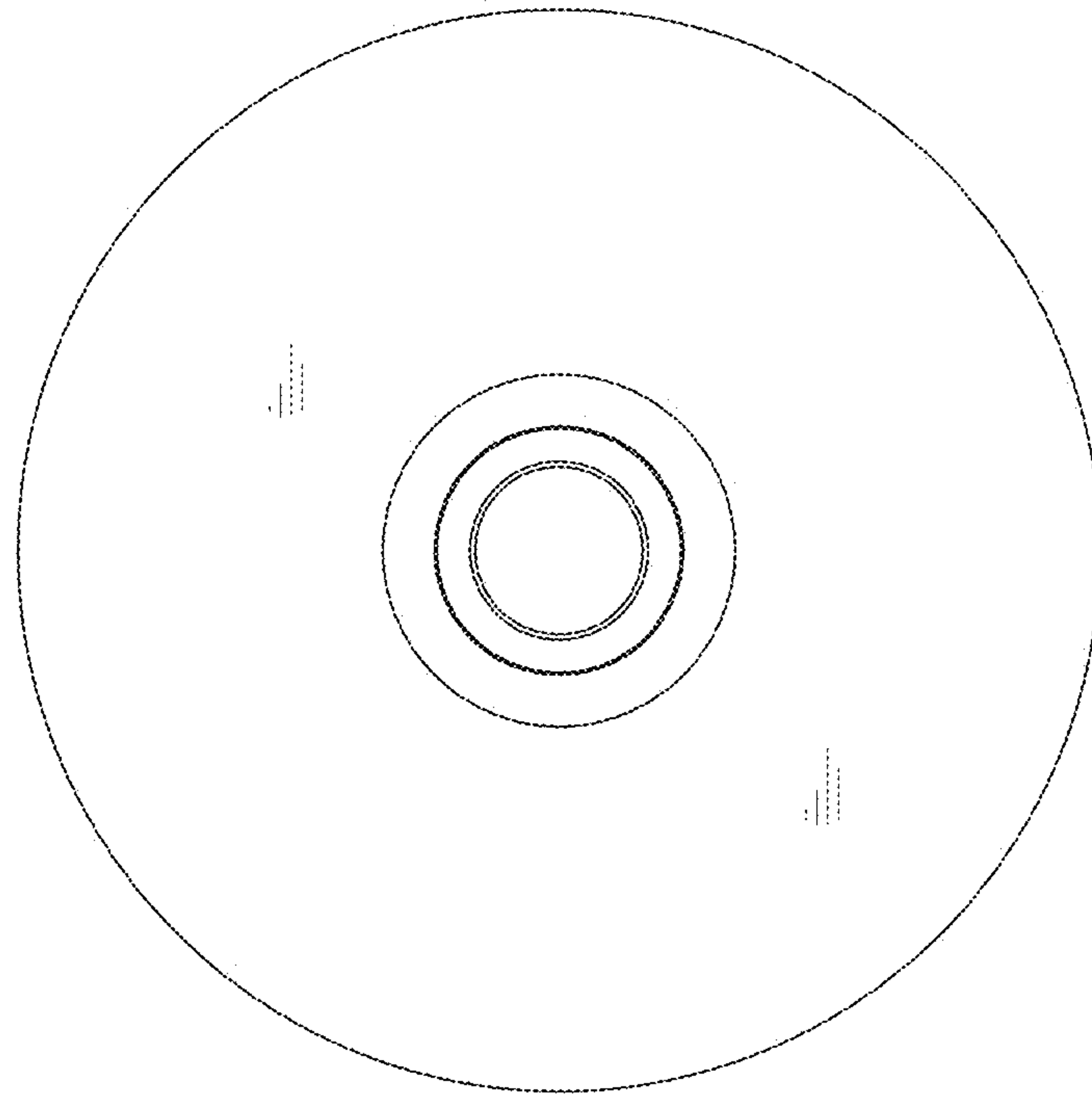


FIG. 6

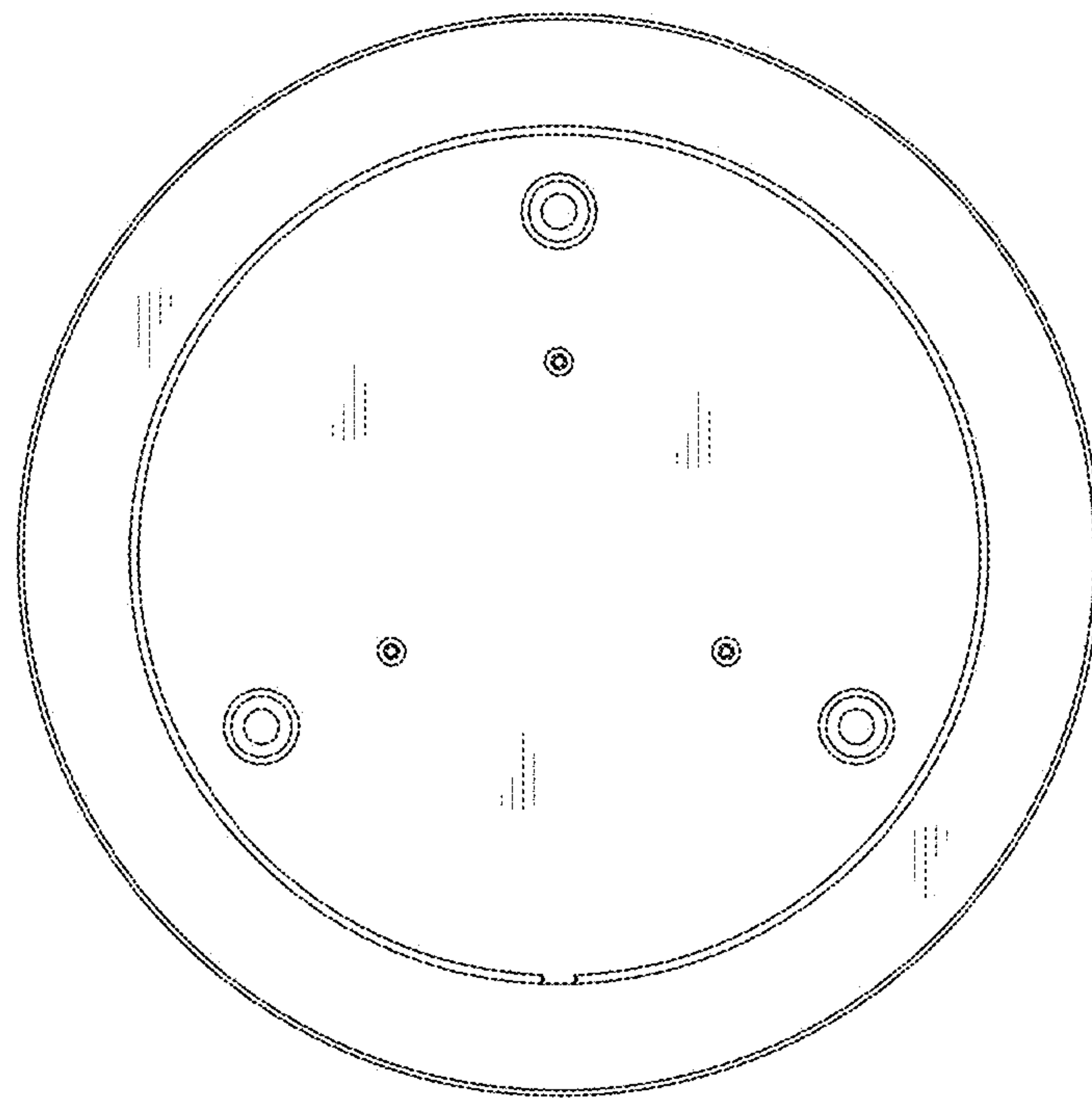


FIG. 7