

US00D942410S

(12) **United States Design Patent** (10) **Patent No.:** **US D942,410 S**
Hsu (45) **Date of Patent:** **** Feb. 1, 2022**

(54) **LAMP WITH AN AUDIO BROADCAST FUNCTION**

(71) Applicant: **Dong Guan Jia Sheng Lighting Technology Co., Ltd. China, Dong-Guna (CN)**

(72) Inventor: **Kevin Hsu, Taichung (TW)**

(73) Assignee: **Dong Guan Jia Sheng Lighting Technology Co., Ltd. China, Guang-Dong (CN)**

(**) Term: **15 Years**

(21) Appl. No.: **29/698,107**

(22) Filed: **Jul. 15, 2019**

(51) **LOC (13) Cl.** **14-01**

(52) **U.S. Cl.**
USPC **D14/204**

(58) **Field of Classification Search**
USPC D14/204, 496, 216, 209.1, 214, 172; D26/67
CPC H04R 1/02; H04R 1/021; H04R 1/026; H04R 1/028; H04R 1/403; H04R 1/2803; H04R 5/02; H04R 9/06; H04R 9/13; H04R 2201/021; H04R 2400/00; H04R 2499/11

See application file for complete search history.

(56) **References Cited**

U.S. PATENT DOCUMENTS

D377,229 S * 1/1997 Shalvi D26/104
D479,355 S * 9/2003 Dalton D26/67
D485,004 S * 1/2004 Olson D26/104
D495,079 S * 8/2004 Mullen D26/63
D519,658 S * 4/2006 Izardel D26/40
D541,462 S * 4/2007 Mama D10/111
D604,866 S * 11/2009 Randazzo D25/126

D639,988 S * 6/2011 Chen D26/67
D657,087 S * 4/2012 Krogman D26/68
8,292,452 B2 * 10/2012 Ko F21V 21/0824
362/183
8,585,238 B2 * 11/2013 Krogman F21S 8/00
362/235
D713,579 S * 9/2014 Chen D26/63
D729,777 S * 5/2015 Ono D14/224
D735,923 S * 8/2015 Helms D26/63
D738,855 S * 9/2015 Park D14/215
9,591,843 B2 * 3/2017 Formico F21K 9/00
D827,898 S * 9/2018 Li D26/67
D827,899 S * 9/2018 Li D26/67
D847,115 S * 4/2019 Li D14/204
10,337,705 B2 * 7/2019 Rolf H02J 7/00302
D864,904 S * 10/2019 Cheng D14/209.1
D876,712 S * 2/2020 Bembridge D26/138
D878,669 S * 3/2020 Bembridge D26/138
D882,853 S * 4/2020 Zhou D26/67
D883,254 S * 5/2020 Peng D14/211
D908,108 S * 1/2021 Hsu D14/204

* cited by examiner

Primary Examiner — Cynthia R Underwood

(74) *Attorney, Agent, or Firm* — Alan D. Kamrath; Karin L. Williams; Mayer & Williams PC

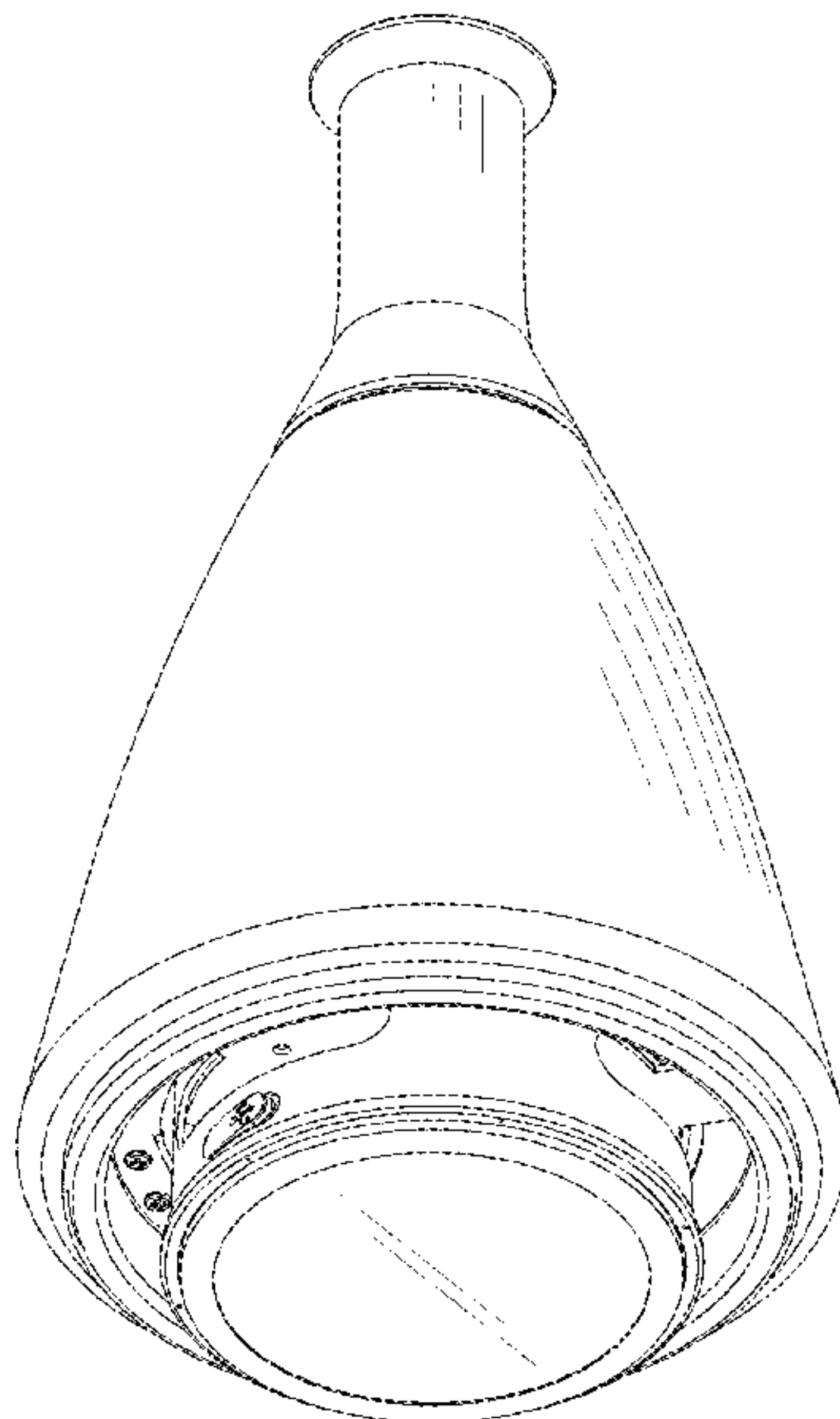
(57) **CLAIM**

The ornamental design for a lamp with an audio broadcast function, as shown and described.

DESCRIPTION

FIG. 1 is a perspective view of a lamp with an audio broadcast function showing my design.
FIG. 2 is a front elevational view thereof.
FIG. 3 is a rear elevational view thereof.
FIG. 4 is a left side elevational view thereof.
FIG. 5 is a right side elevational view thereof.
FIG. 6 is a top plan view thereof.
FIG. 7 is a bottom plan view thereof; and,
FIG. 8 is another perspective view thereof.

1 Claim, 7 Drawing Sheets



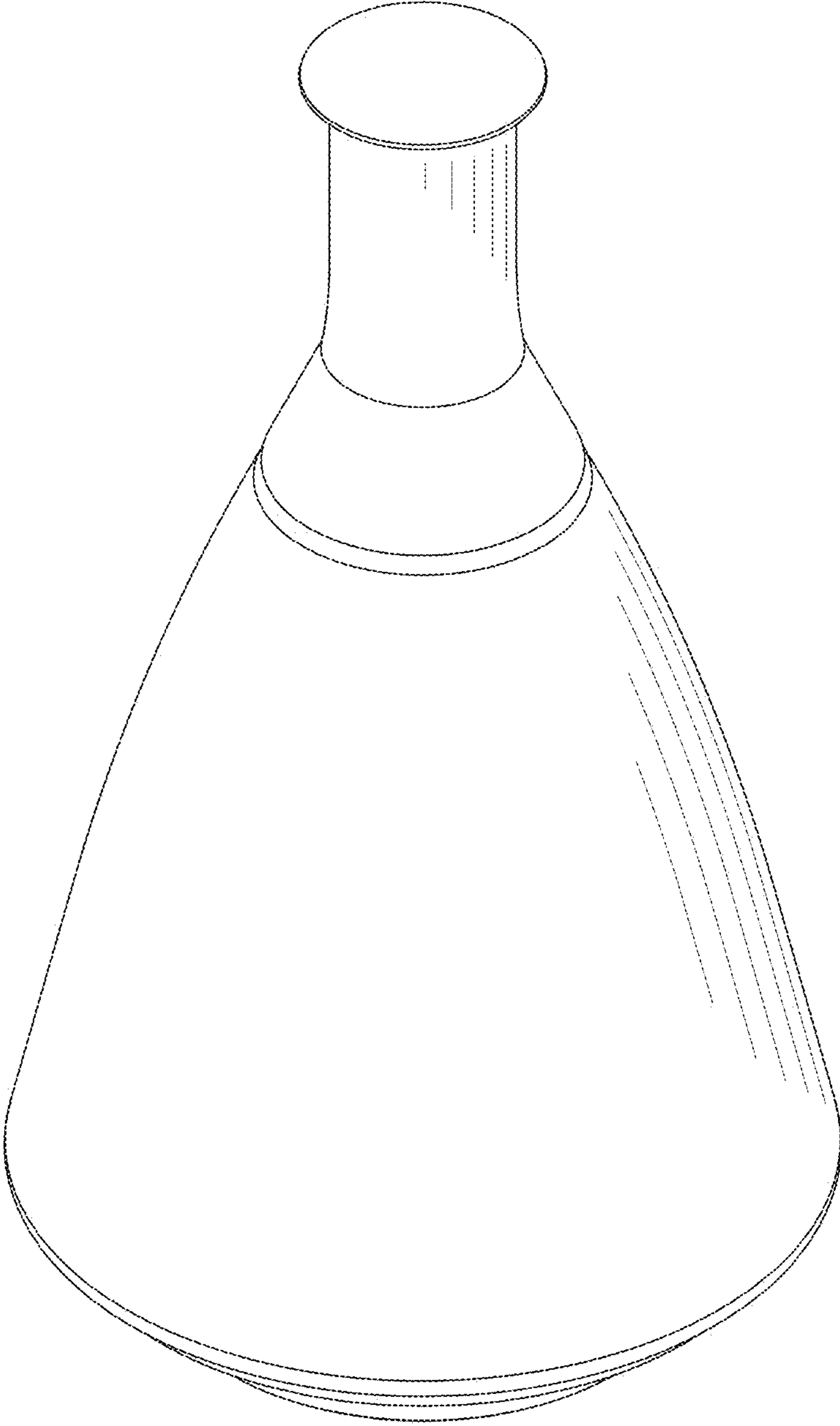


FIG.1

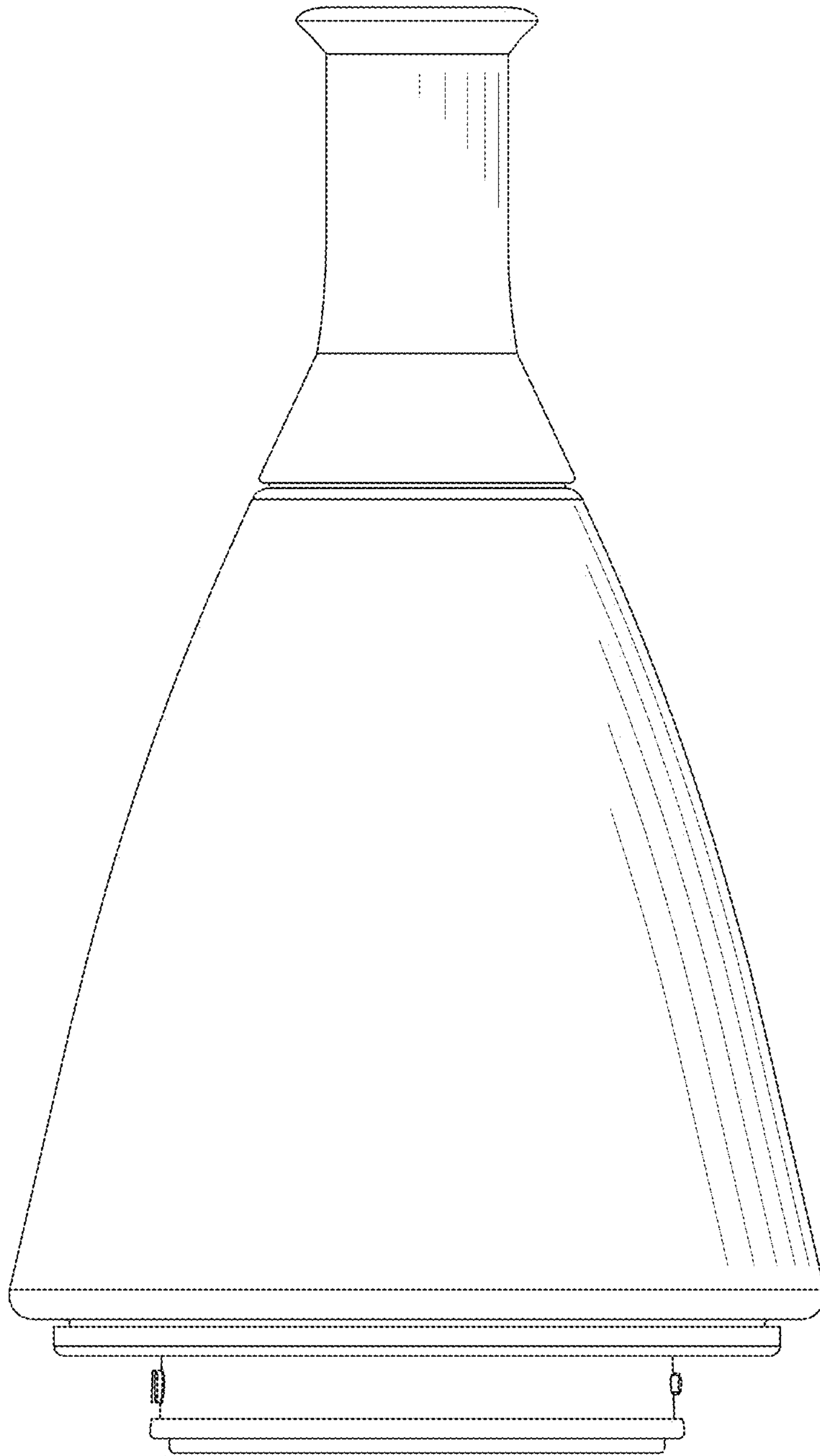


FIG.2

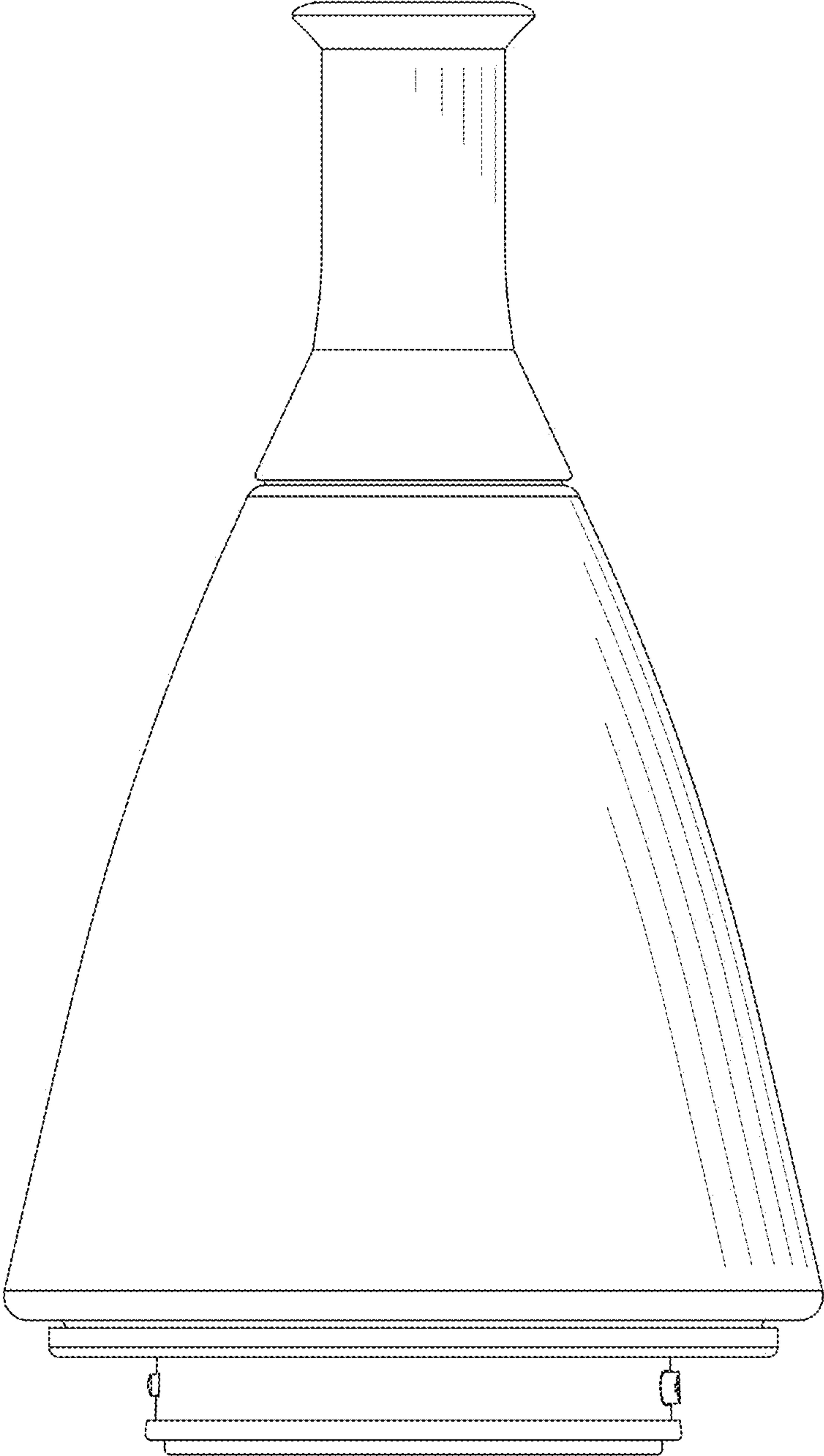


FIG.3

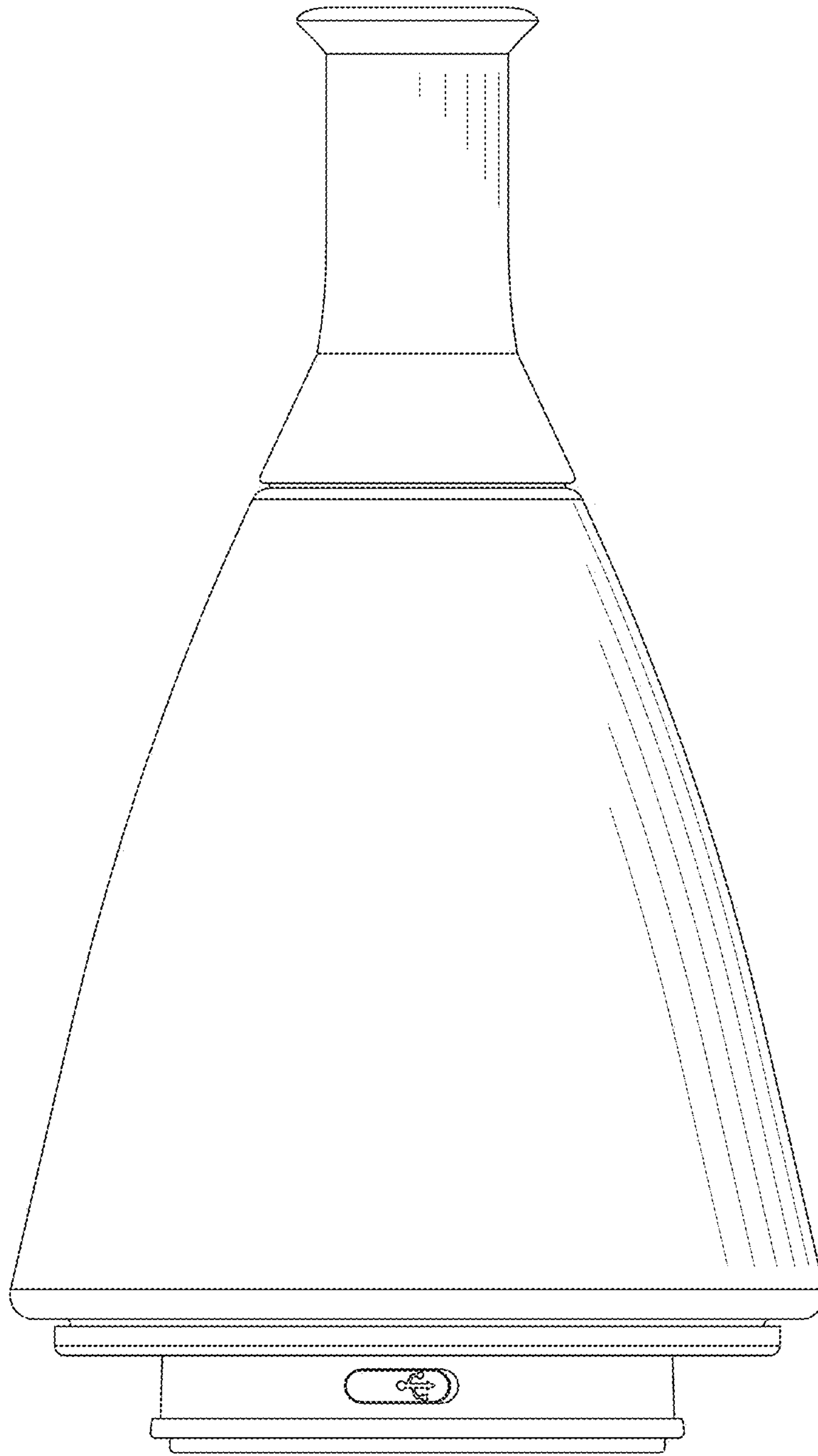


FIG.4

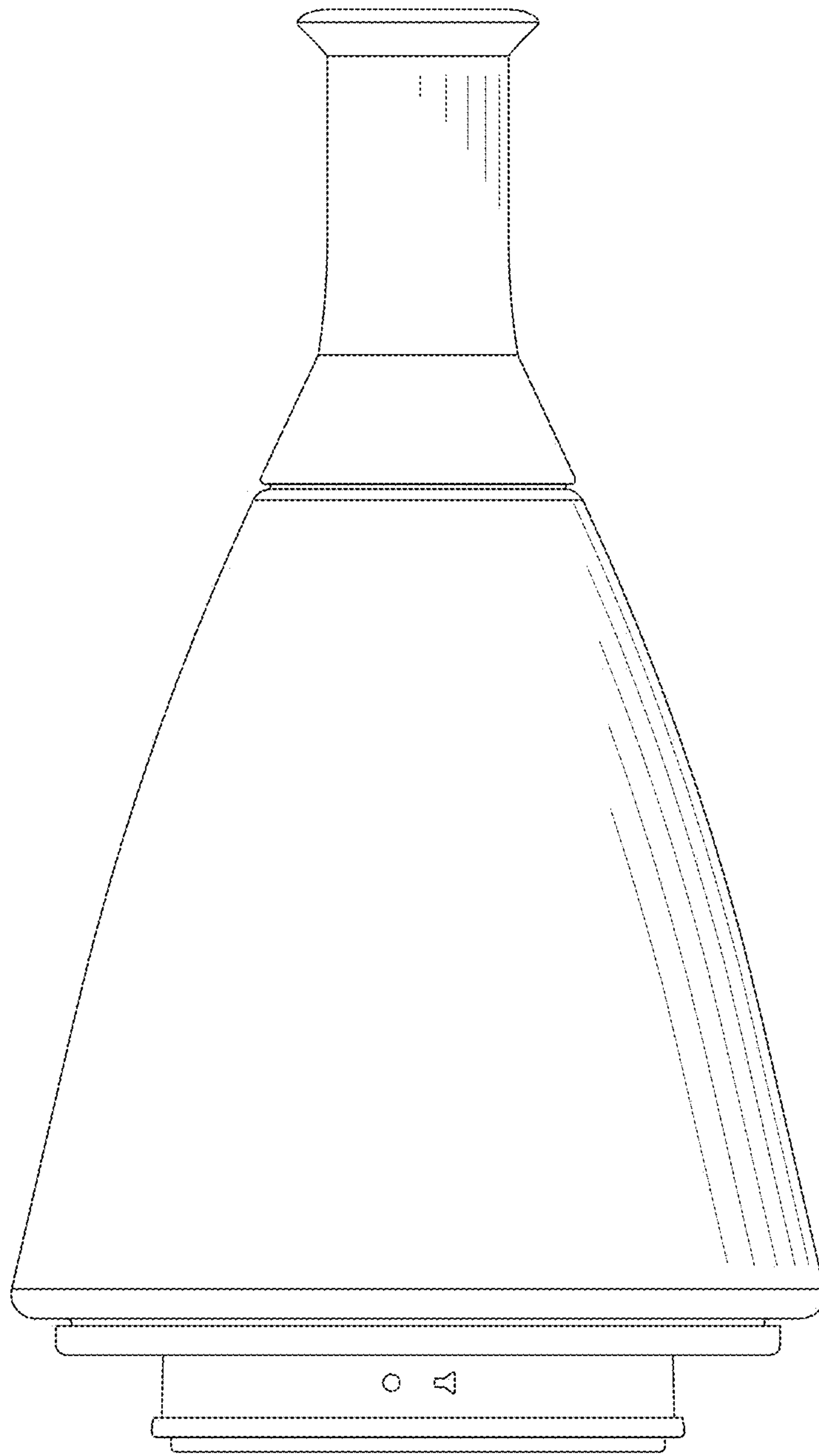


FIG. 5



FIG. 6

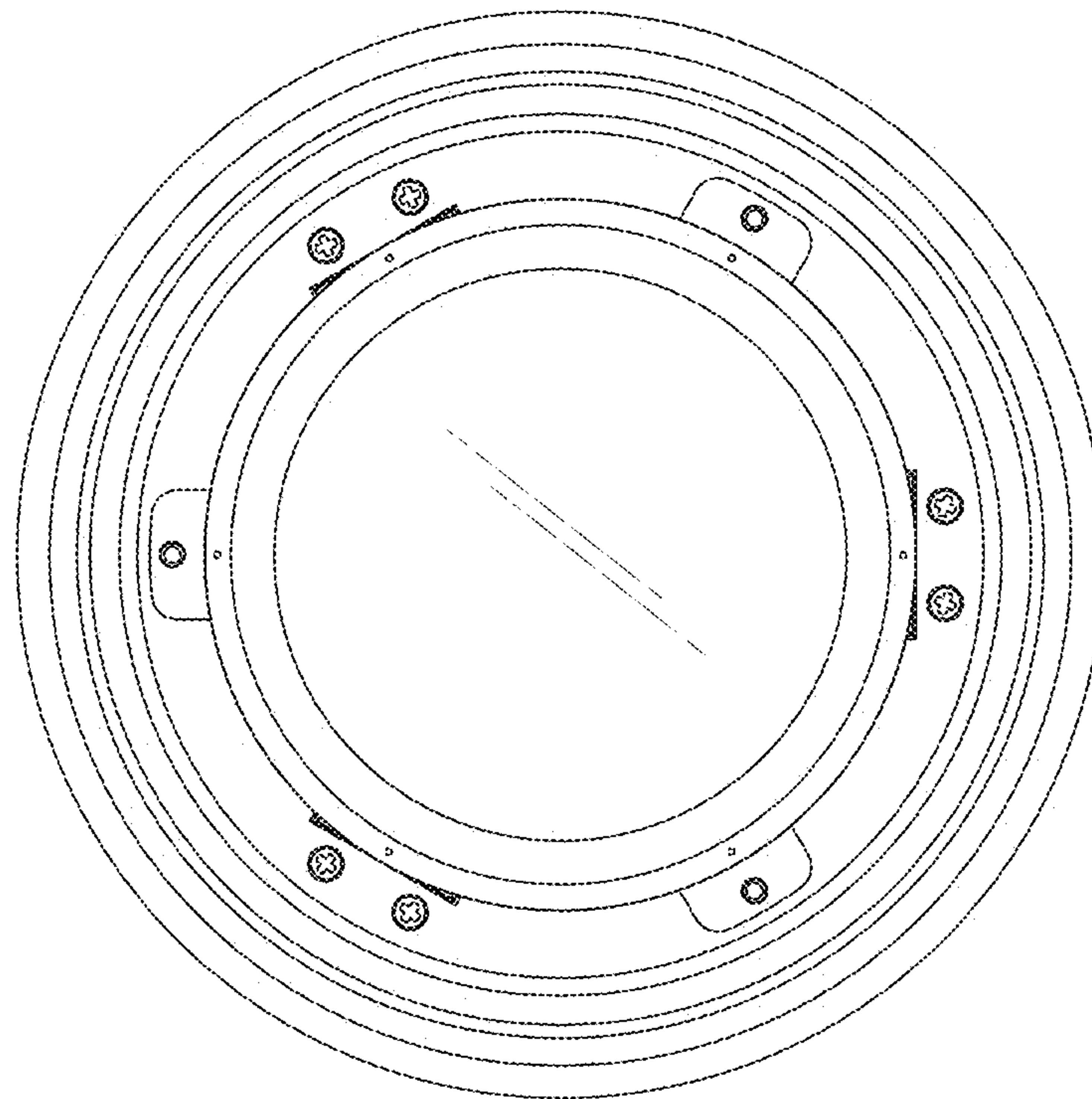


FIG. 7

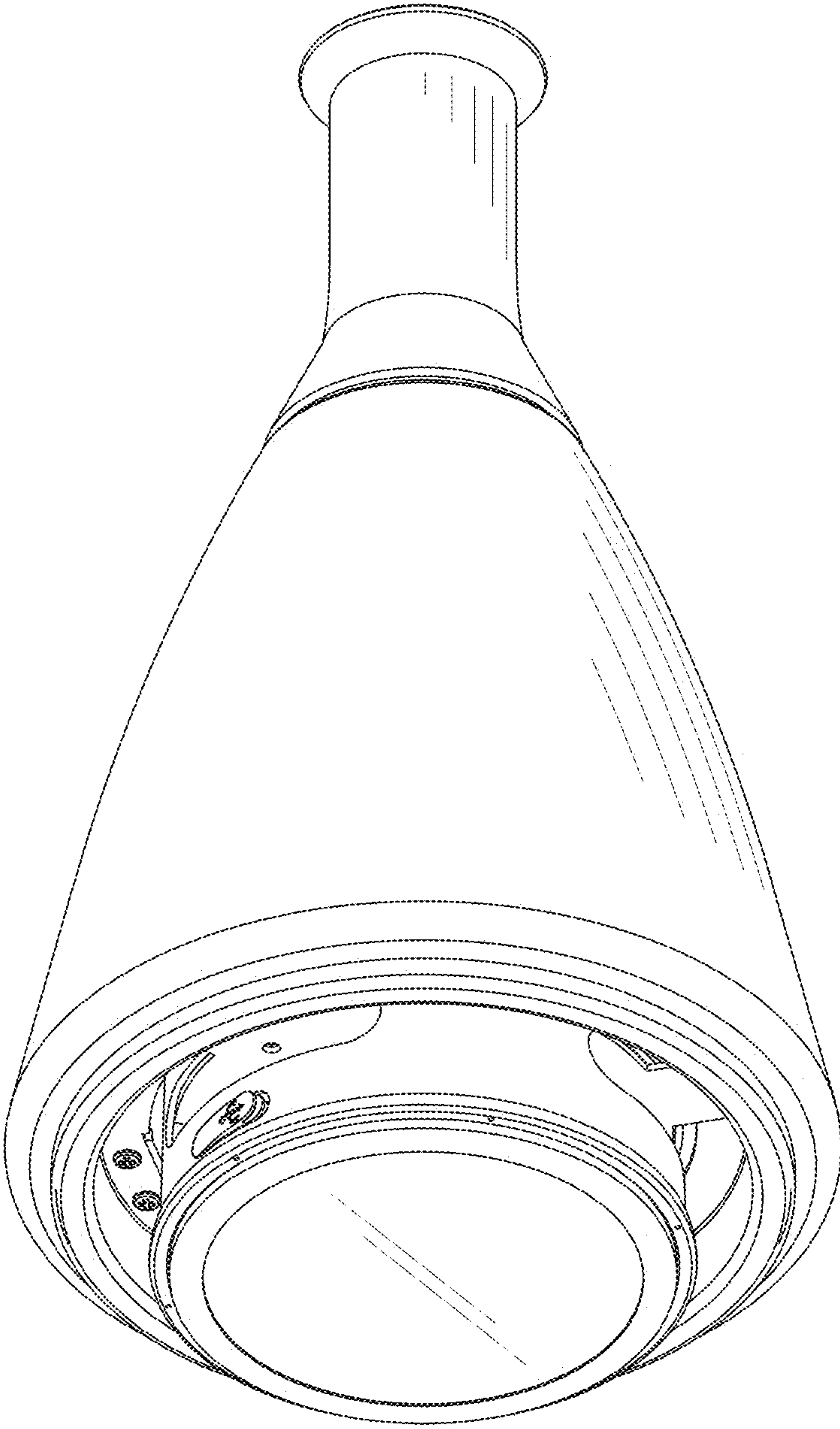


FIG.8