



US00D942408S

(12) **United States Design Patent** (10) **Patent No.:** **US D942,408 S**
Dharmadas et al. (45) **Date of Patent:** **** Feb. 1, 2022**

(54) **WIRELESS RECEIVER**

(71) Applicant: **Freedman Electronics PTY Limited,**
Silverwater (AU)

(72) Inventors: **Rajesh Gladwin Dharmadas,**
Silverwater (AU); **Sun Kyung Sunwoo,**
Silverwater (AU); **Pieter Schillebeeckx,**
Silverwater (AU); **Samuel Dean**
Trewartha, Silverwater (AU)

(73) Assignee: **FREEDMAN ELECTRONICS PTY**
LIMITED, Silverwater (AU)

(**) Term: **15 Years**

(21) Appl. No.: **29/706,832**

(22) Filed: **Sep. 24, 2019**

(30) **Foreign Application Priority Data**

Mar. 29, 2019 (AU) 201911819

(51) **LOC (13) Cl.** **14-03**

(52) **U.S. Cl.**
USPC **D14/188;** D14/155; D14/225

(58) **Field of Classification Search**
USPC D14/155, 167, 188–197, 225, 226, 496,
D14/137, 299, 358; D17/20, 21, 99;
D10/104.1, 106.1
CPC . H04R 1/02; H04R 1/08; H04R 27/00; H04R
2420/07; H04R 2227/003; H04R 3/00;
H04B 1/0475
See application file for complete search history.

(56) **References Cited**

U.S. PATENT DOCUMENTS

D223,835 S * 6/1972 Schmidt D14/191
4,083,481 A * 4/1978 Selinko H04B 1/088
224/269
D248,759 S * 8/1978 Eckmann D10/106.1
D255,446 S * 6/1980 Iwata D14/192

D264,080 S * 4/1982 Iwata D14/191
4,325,142 A * 4/1982 Nakazawa H04B 1/385
455/346
D272,244 S * 1/1984 Scheid D14/191
D276,158 S * 10/1984 Lee D14/192

(Continued)

FOREIGN PATENT DOCUMENTS

CN 305655091 * 3/2020
CN 305655093 * 3/2020

OTHER PUBLICATIONS

Wireless Transmitters and receivers. (Design—© Questel) orbit.com. [online PDF of Foreign references] 51 pgs. Print Dates range May 14, 2021-Jul. 15, 2015 [Retrieved Jun. 11, 2021] <https://www.orbit.com/export/QPTUJ214/pdf2/a0664c74-1611-4de4-8724-d4a58ca30422-173824.pdf>.*

(Continued)

Primary Examiner — Marie D. Fast Horse
(74) *Attorney, Agent, or Firm* — Skinner and Associates;
Joel D. Skinner, Jr.

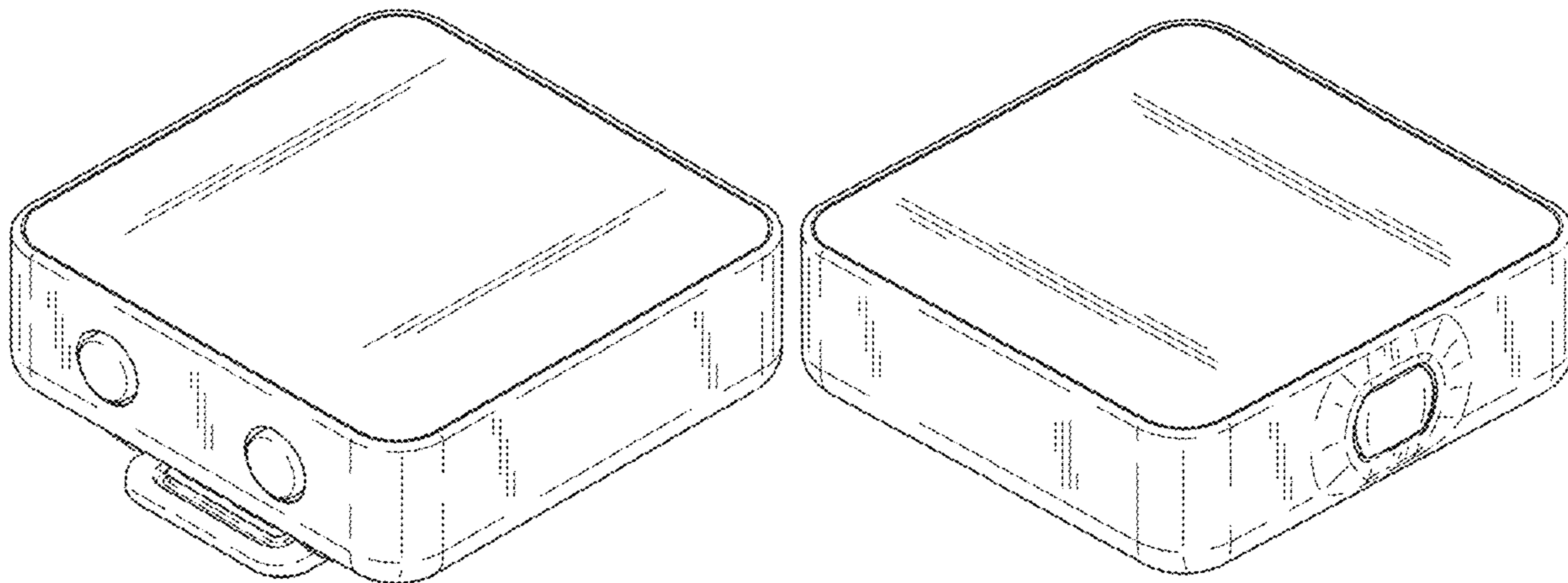
(57) **CLAIM**

The ornamental design for a wireless receiver, as shown and described.

DESCRIPTION

FIG. 1 is a perspective view of a wireless receiver, showing our new design.
FIG. 2 is a further perspective view thereof.
FIG. 3 is a front view thereof.
FIG. 4 is a rear view thereof.
FIG. 5 is a left view thereof.
FIG. 6 is a right view thereof.
FIG. 7 is a top view thereof; and,
FIG. 8 is a bottom view thereof.
The broken lines in the drawings depict portions of the wireless receiver that form no part of the claimed design.

1 Claim, 8 Drawing Sheets



(56)

References Cited

U.S. PATENT DOCUMENTS

4,491,970 A * 1/1985 LaWhite H04B 1/0343
 455/100
 D278,905 S * 5/1985 Scheid D14/191
 D293,088 S * 12/1987 Brown D10/106.1
 4,828,153 A * 5/1989 Guzik H04B 1/088
 224/242
 D302,157 S * 7/1989 Vories D14/192
 D304,191 S * 10/1989 Sekine D14/192
 4,876,537 A * 10/1989 Oyamada G02F 1/1336
 340/7.63
 D313,362 S * 1/1991 Reich D10/106.1
 D355,385 S * 2/1995 Abrams D14/159
 D370,014 S * 5/1996 Braxton D14/191
 D392,202 S * 3/1998 Nitzberg D10/106.1
 D404,736 S * 1/1999 Alvarez D14/229
 D417,667 S * 12/1999 Loubert D10/104.1
 D417,871 S * 12/1999 Hisatsune D14/188
 D428,876 S * 8/2000 Renkis D14/230
 D439,243 S * 3/2001 Miyazaki D14/137
 D439,852 S * 4/2001 Hisatsune D10/104.1
 D441,744 S * 5/2001 Miyazaki D14/358
 D451,896 S * 12/2001 Kim D14/137
 D477,304 S * 7/2003 Isaacs D14/188
 D478,057 S * 8/2003 Cohen D14/155
 D496,023 S * 9/2004 Gubbels D14/191
 D496,030 S * 9/2004 Harbeke D14/225
 D496,346 S * 9/2004 Fuss D14/188
 D519,101 S * 4/2006 Alwicker D14/188
 D534,154 S * 12/2006 Shen D14/188
 D540,774 S * 4/2007 Alwicker D14/155
 D541,791 S * 5/2007 Shen D14/240
 D543,537 S * 5/2007 Chau D14/218
 D552,603 S * 10/2007 Tierney D14/155
 D554,616 S * 11/2007 Pierce D14/191
 D558,731 S * 1/2008 Kim D14/155
 D558,742 S * 1/2008 Koller D14/225
 D559,233 S * 1/2008 Tang D14/230
 D568,877 S * 5/2008 Bodley D14/225
 D571,757 S * 6/2008 Kesler D14/137
 D577,708 S * 9/2008 von Meiss D14/158
 D577,721 S * 9/2008 O'Neil D14/358
 D580,437 S * 11/2008 Kiyomiya D14/358
 D587,708 S * 3/2009 Yoshida D14/358
 D602,918 S * 10/2009 Bodley D14/225
 D602,919 S * 10/2009 Bodley D14/225
 D604,723 S * 11/2009 Bodley D14/225
 D608,767 S * 1/2010 Liner D14/225
 D609,701 S * 2/2010 Hou D14/358
 D619,125 S * 7/2010 Kung D14/225
 D619,999 S * 7/2010 Wu D14/240
 D625,418 S * 10/2010 Borregaard D24/174
 D626,935 S * 11/2010 Ohtani D14/192

D627,330 S * 11/2010 Otsuka D14/192
 D637,174 S * 5/2011 Elkerbout D14/159
 D651,208 S * 12/2011 Pacyga D14/358
 D656,924 S * 4/2012 Mehlsen D14/226
 D661,680 S * 6/2012 Wei D14/155
 D678,395 S * 3/2013 Strauser D17/21
 D681,213 S * 4/2013 Solby D24/174
 D683,331 S * 5/2013 Nylen D14/223
 D695,806 S * 12/2013 Konishi D16/202
 D705,748 S * 5/2014 He D14/155
 D706,249 S * 6/2014 Holzer D14/240
 D707,651 S * 6/2014 Tsai D14/191
 D710,228 S * 8/2014 Burke D10/104.1
 D714,266 S * 9/2014 Okamura D14/225
 D714,731 S * 10/2014 Lee D13/147
 D716,274 S * 10/2014 Henning D14/223
 D719,130 S * 12/2014 Crane D14/195
 8,971,555 B2 * 3/2015 Koss H04R 1/04
 381/312
 D736,188 S * 8/2015 Cavero D14/225
 D739,849 S * 9/2015 Donohue, II D14/221
 D752,454 S * 3/2016 Miller D10/50
 D762,614 S * 8/2016 Matsui D14/188
 D778,185 S * 2/2017 Ookawa D10/104.1
 D784,287 S * 4/2017 Murray D14/168
 D788,776 S * 6/2017 Marzette, Jr D14/358
 D791,622 S * 7/2017 Chang D10/46
 D803,193 S * 11/2017 Meinertz D14/225
 D808,356 S * 1/2018 Miller D14/155
 D837,669 S * 1/2019 Yu D10/57
 D839,242 S * 1/2019 Pang D14/223
 D851,618 S * 6/2019 Zhong D14/159
 D883,828 S * 5/2020 Ward D10/104.1
 D889,428 S * 7/2020 Keller D14/198
 D893,445 S * 8/2020 Wall D14/188
 D894,161 S * 8/2020 Ye D14/225
 D917,431 S * 4/2021 Gao D14/225
 2011/0081030 A1 * 4/2011 Chiang H04B 1/0475
 381/122
 2012/0075177 A1 * 3/2012 Jacobsen G06F 3/014
 345/156
 2015/0112407 A1 * 4/2015 Hartley H04R 25/405
 607/57
 2017/0303036 A1 * 10/2017 Kurek H04R 3/00

OTHER PUBLICATIONS

Rode Wireless Go—Compact Wireless Microphone System_ Transmitter and Receiver, (online) 10 pgs. Available Apr. 4, 2019. [Retrieved Jun. 14, 2021] https://www.amazon.com/Rode-Wireless-Go-Microphone-Transmitter/dp/B07QGGBNMN?ref_=ast_sto_dp&th=1&ppsc=1.*

* cited by examiner

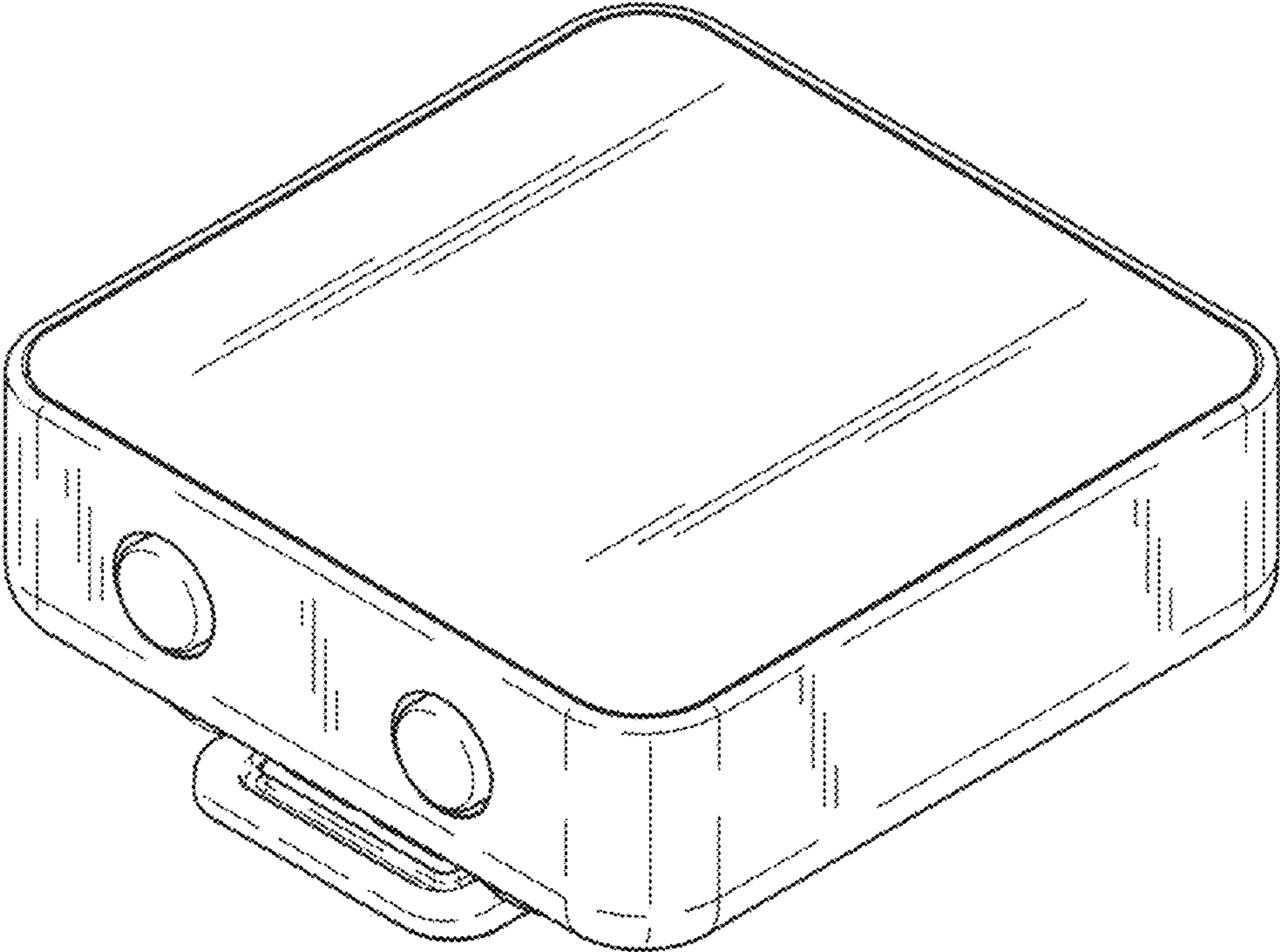


FIG. 1

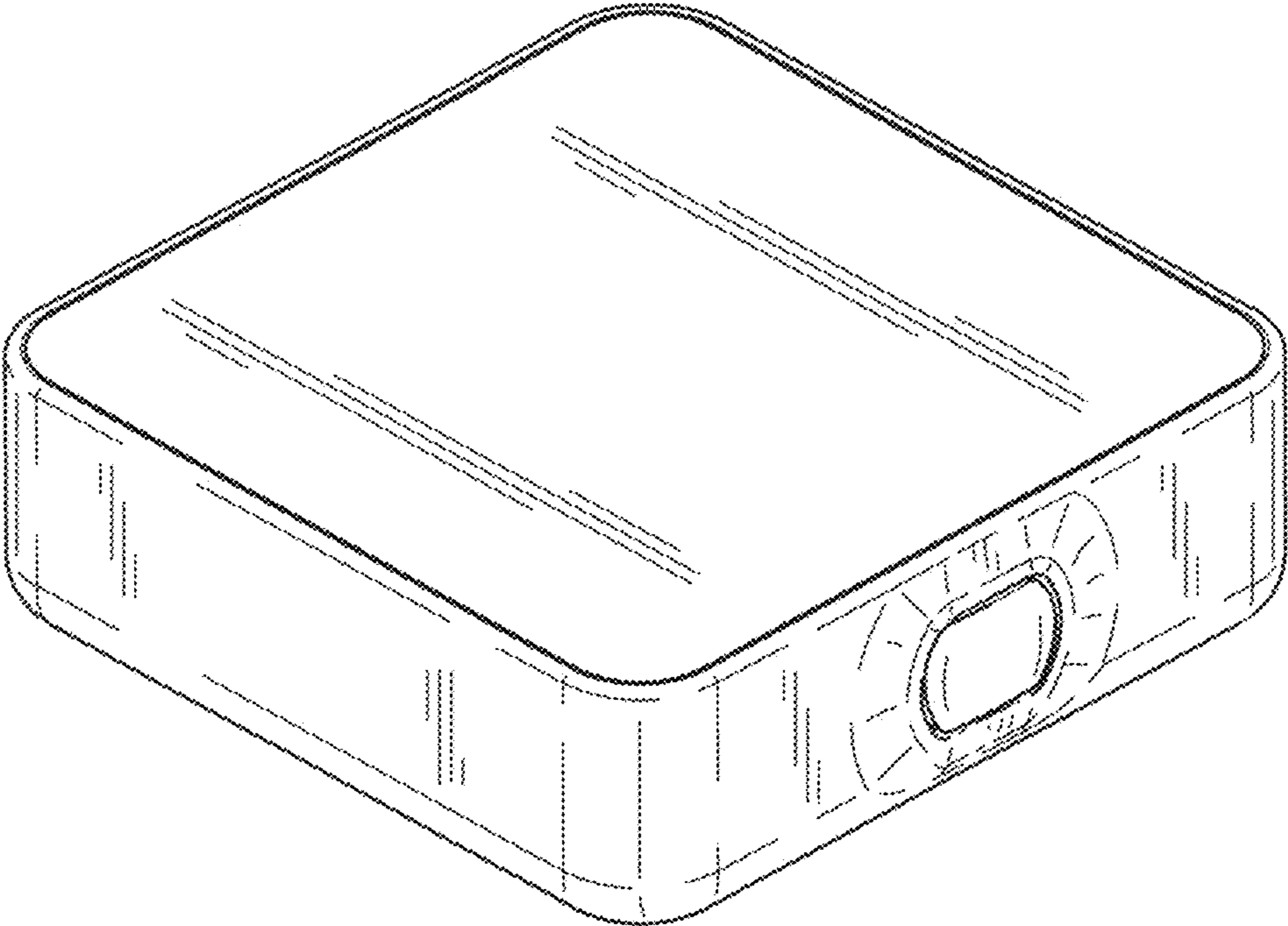


FIG. 2

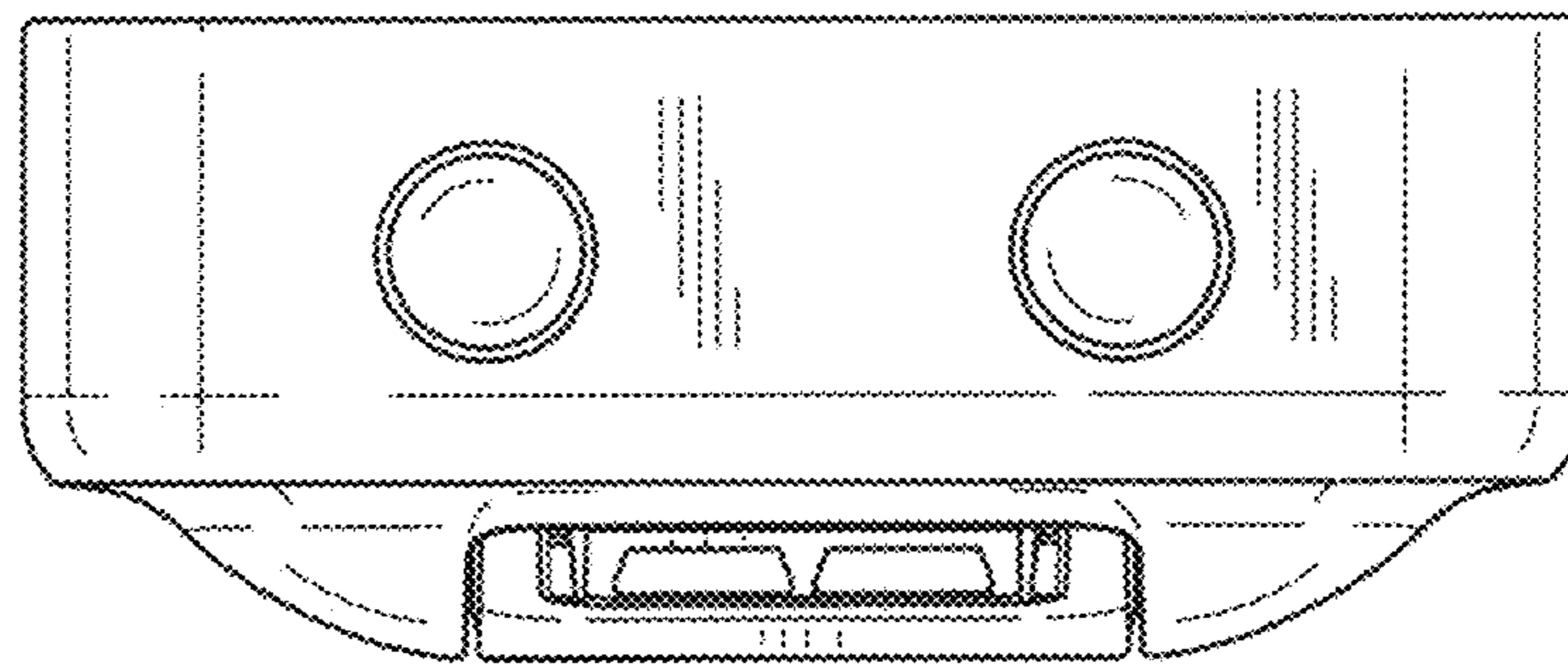


FIG. 3

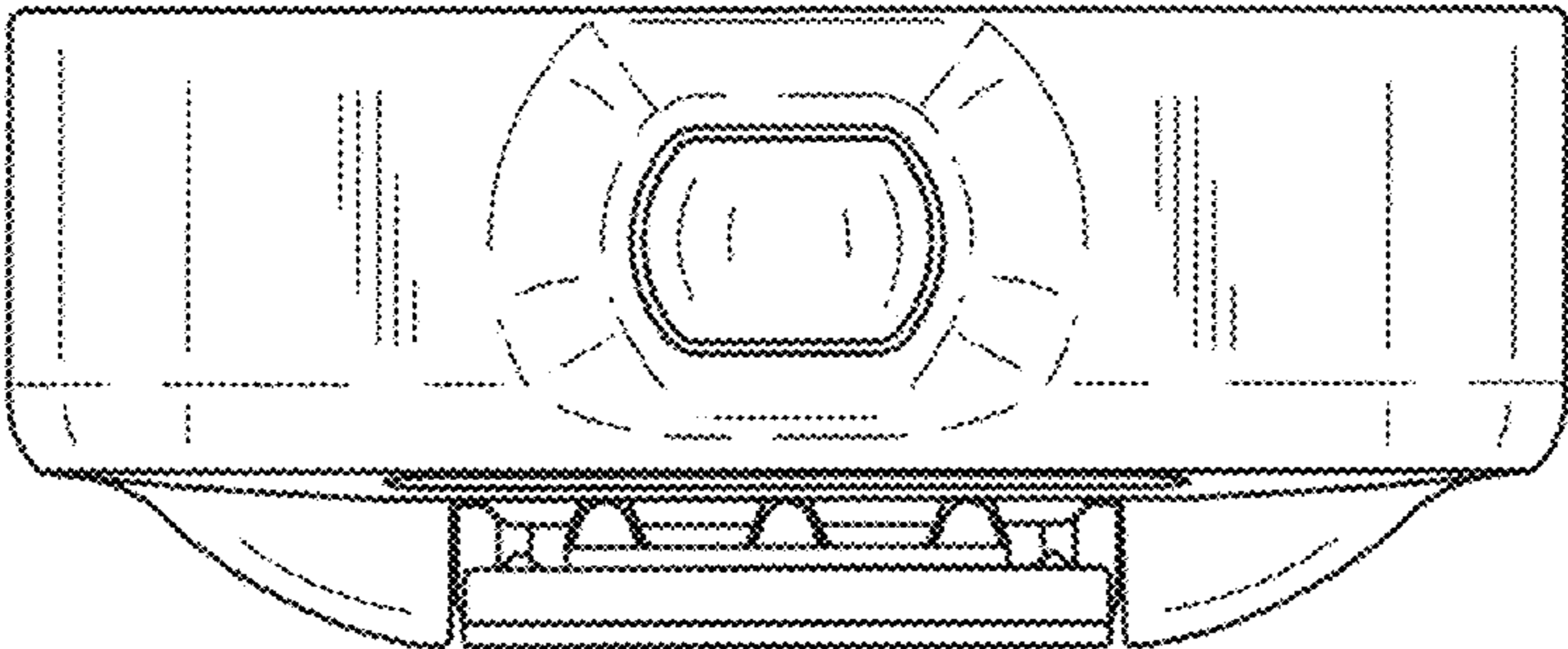


FIG. 4

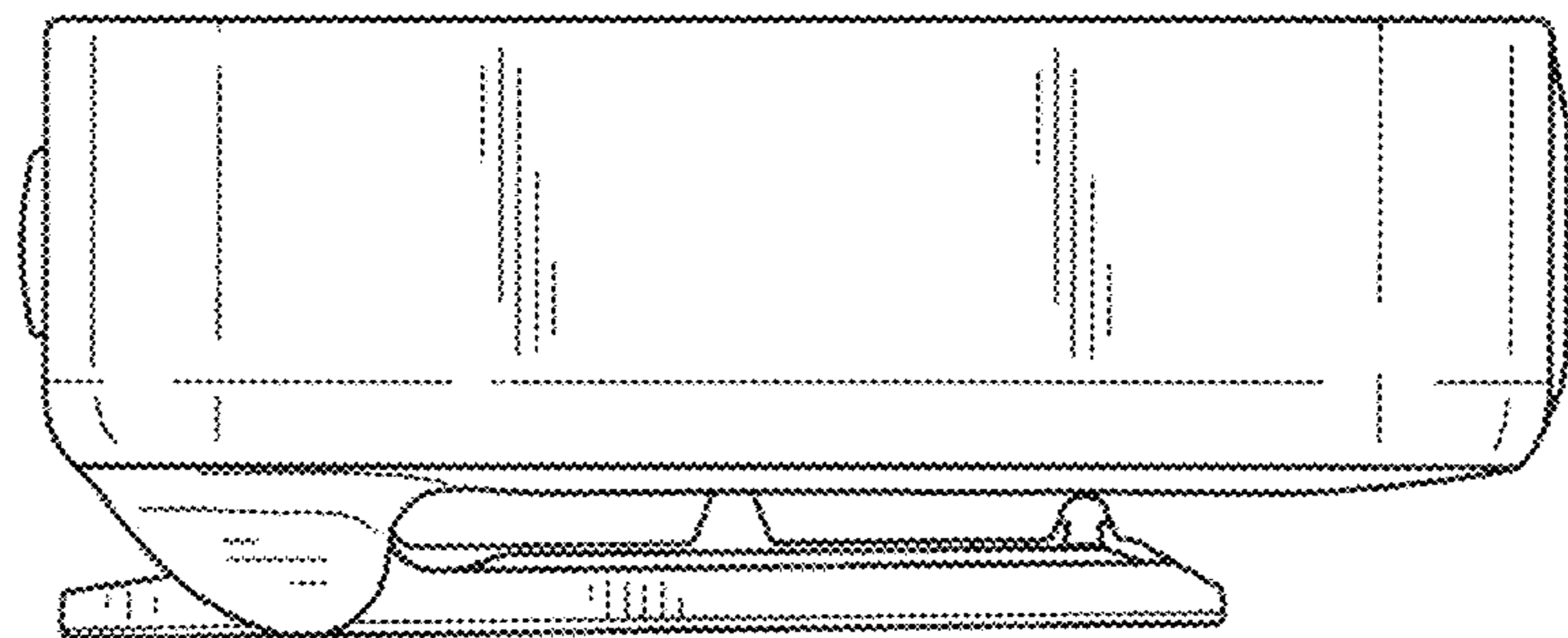


FIG. 5

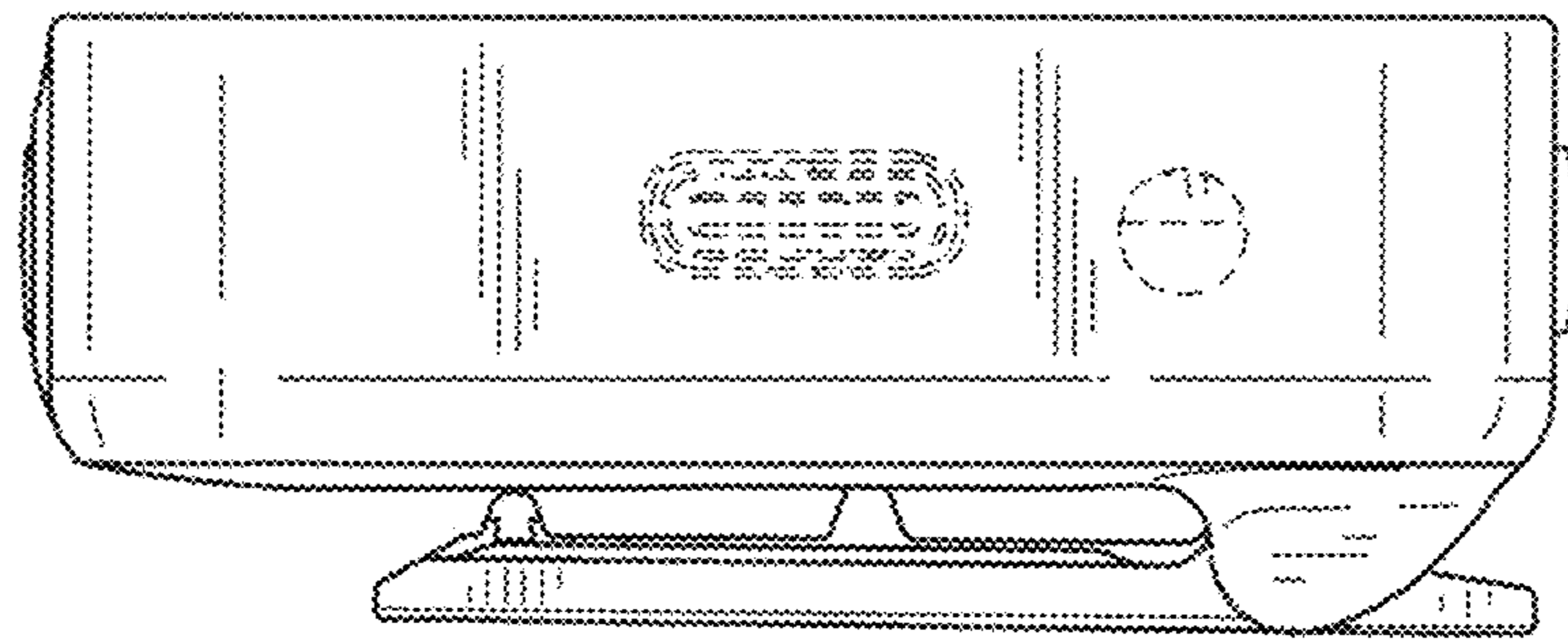


FIG. 6

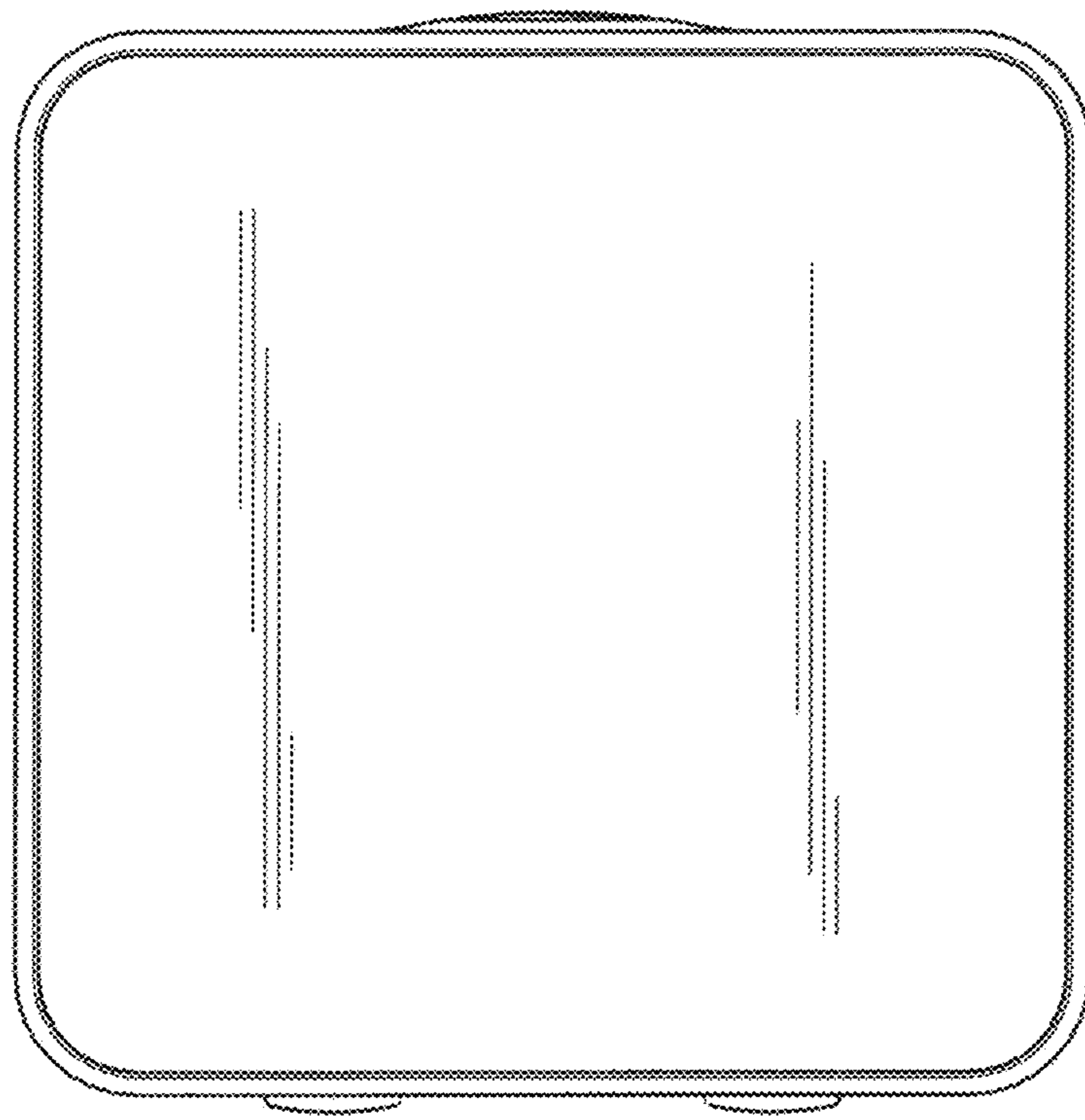


FIG. 7

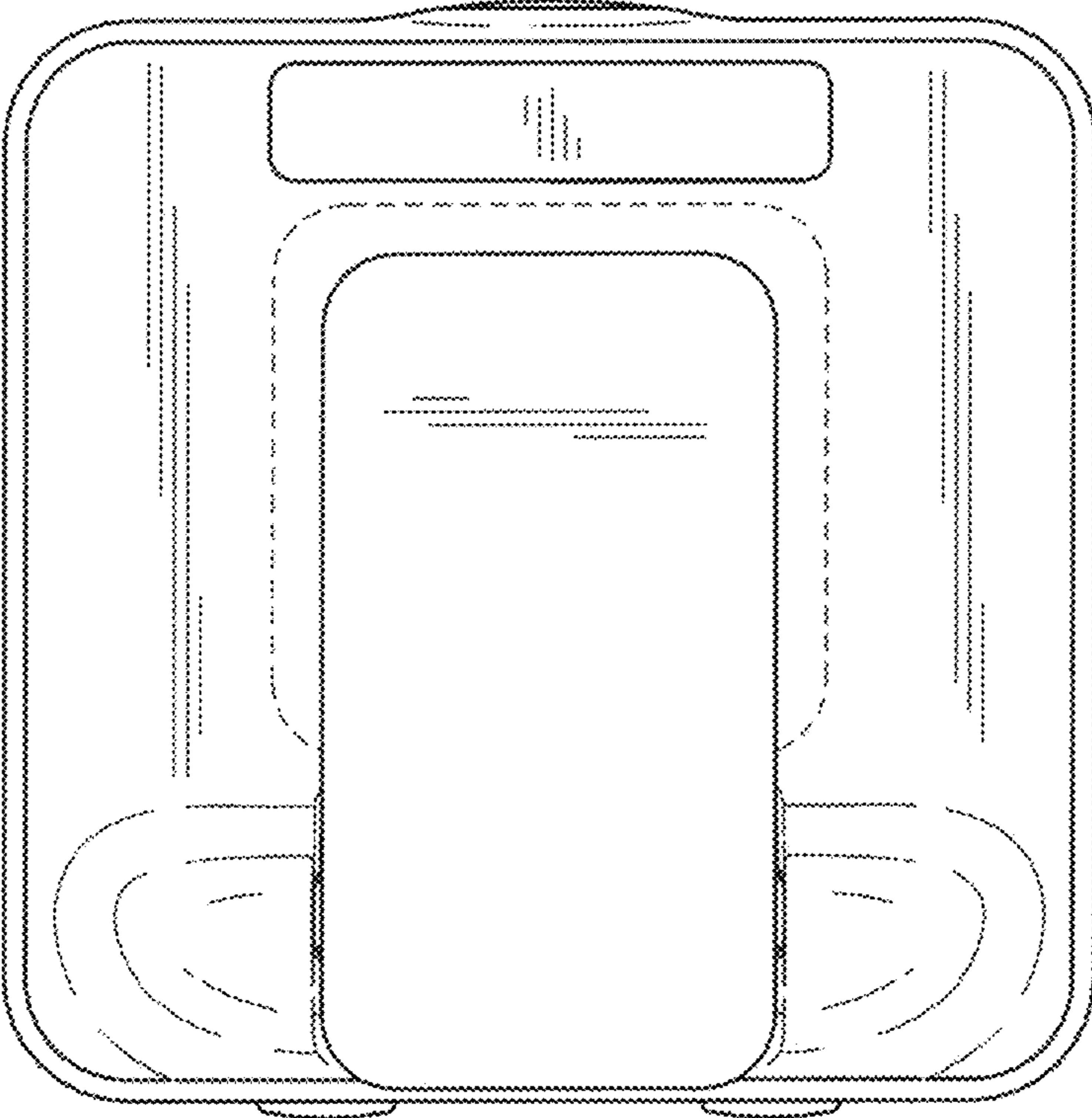


FIG. 8