



US00D942402S

(12) **United States Design Patent** (10) **Patent No.:** **US D942,402 S**
Wade (45) **Date of Patent:** **** Feb. 1, 2022**

(54) **JUNCTION BOX**
(71) Applicant: **STÄUBLI ELECTRICAL CONNECTORS AG, Allschwil (CH)**
(72) Inventor: **Lee Michael Wade, Windsor, CA (US)**
(73) Assignee: **Stäubli Electrical Connectors AG, Allschwil (CH)**
(**) Term: **15 Years**
(21) Appl. No.: **35/508,874**
(22) Filed: **Sep. 23, 2019**
(80) **Hague Agreement Data**
Int. Filing Date: **Sep. 23, 2019**
Int. Reg. No.: **DM/204340**
Int. Reg. Date: **Sep. 23, 2019**
Int. Reg. Pub. Date: **Mar. 27, 2020**

(51) **LOC (13) Cl.** **13-03**
(52) **U.S. Cl.**
USPC **D13/152**
(58) **Field of Classification Search**
USPC D13/152, 158, 146, 159, 110, 102, 151,
D13/160, 147; D14/140.6
CPC B29C 65/68; H02G 3/14; H02G 3/185;
H01R 13/6397; H01R 24/547; H01R 4/22
See application file for complete search history.

(56) **References Cited**
U.S. PATENT DOCUMENTS
2,701,273 A * 2/1955 Badeau H01R 4/22
174/138 F
D182,185 S * 2/1958 Hudson D13/152
2,930,504 A * 3/1960 Hudson H02G 3/185
220/3.4
3,676,744 A * 7/1972 Pennypacker H01R 24/547
333/125
3,845,454 A * 10/1974 Hayward H01R 13/6397
439/307

3,910,448 A * 10/1975 Evans B29C 65/68
220/3.8
D331,225 S * 11/1992 Mooneyhan D13/152
D360,188 S * 7/1995 Kiely D13/152
D365,326 S * 12/1995 Starec D13/146
D365,327 S * 12/1995 Reed D13/147
D417,437 S * 12/1999 Kim D13/152
D448,732 S * 10/2001 Kinsey D13/152
7,709,735 B2 * 5/2010 Vigorito H02G 3/14
174/67
D688,211 S * 8/2013 Xue D13/152
D698,318 S * 1/2014 Villen Hernandez D13/152
D707,183 S * 6/2014 Villen Hernandez D13/152
D717,735 S * 11/2014 Suenaga D13/152
D742,326 S * 11/2015 Leung D13/152
D785,572 S * 5/2017 Abraham D13/152
D870,677 S * 12/2019 Gupta D13/158
D871,346 S * 12/2019 Deng D13/152
D871,355 S * 12/2019 Deng D13/160
D892,748 S * 8/2020 Madathil Sankarankutty Nair
D13/152
D892,760 S * 8/2020 Aaron D14/140.6

(Continued)

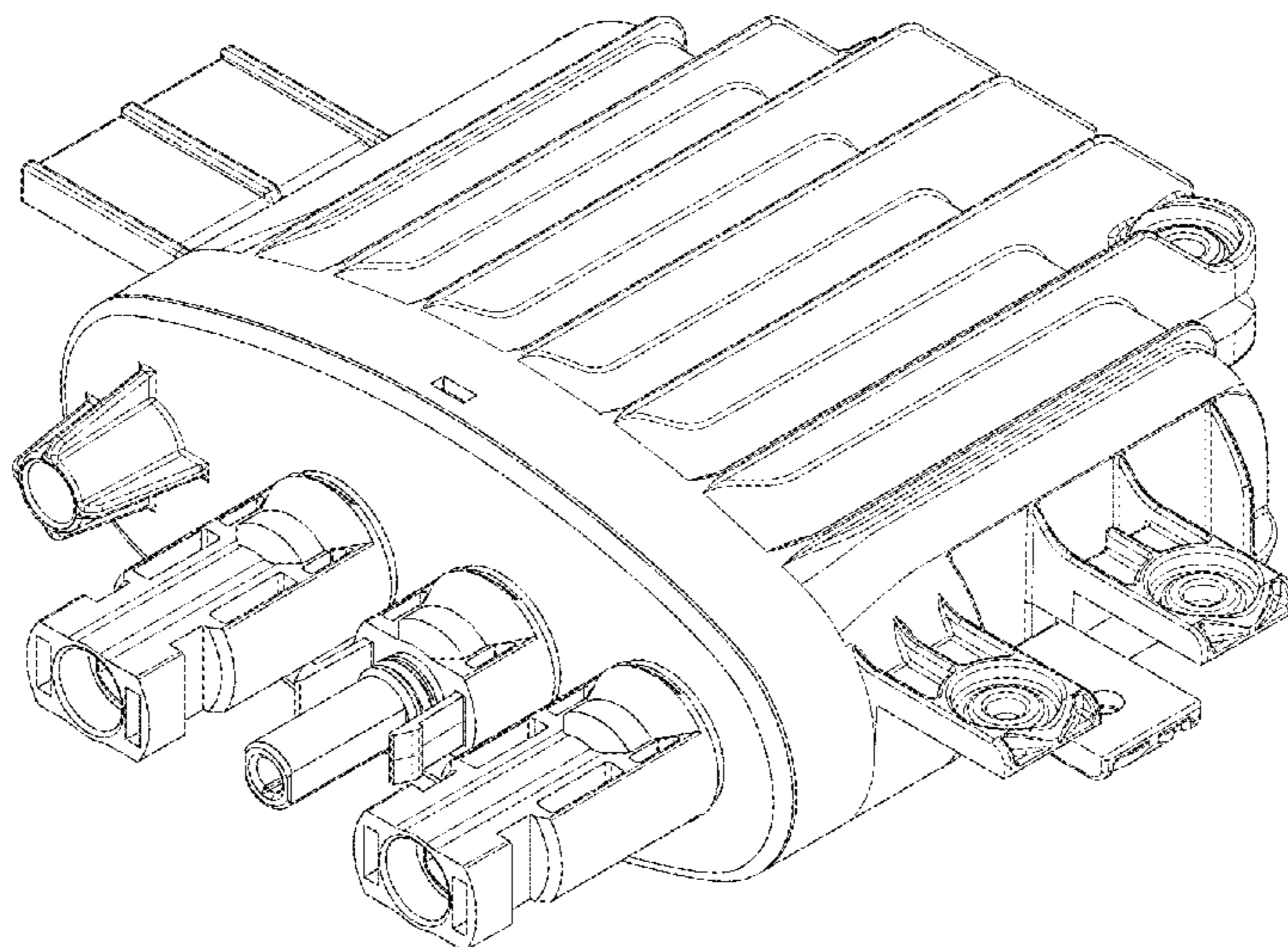
Primary Examiner — Rhea Shields
(74) Attorney, Agent, or Firm — Sughrue Mion, PLLC

(57) **CLAIM**
The ornamental design for a junction box, as shown and described.

DESCRIPTION

1.1 is a front elevation view of the junction box that we consider to be our invention;
1.2 is a top view thereof;
1.3 is a bottom view thereof;
1.4 is a left side view thereof;
1.5 is a right side view thereof;
1.6 is a rear elevation view thereof; and
1.7 is a perspective view thereof.
In the reproductions, the broken lines are for the purpose of illustrating portions of the junction box that form no part of the claimed design.

1 Claim, 7 Drawing Sheets



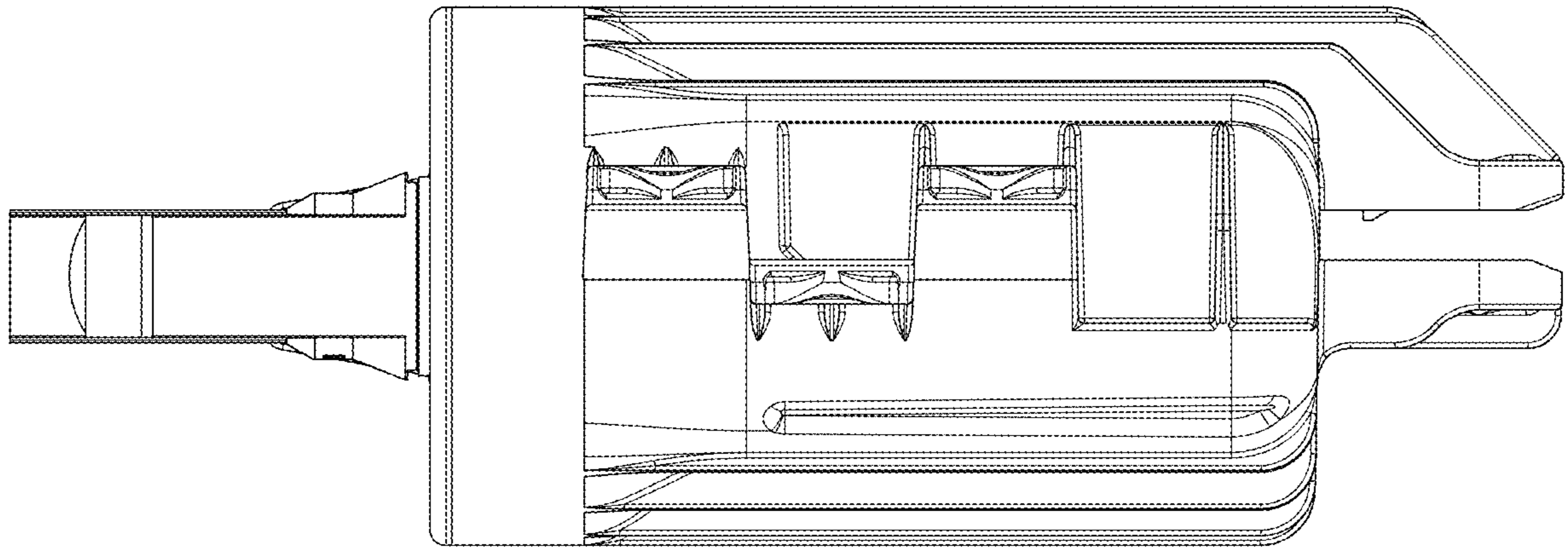
(56)

References Cited

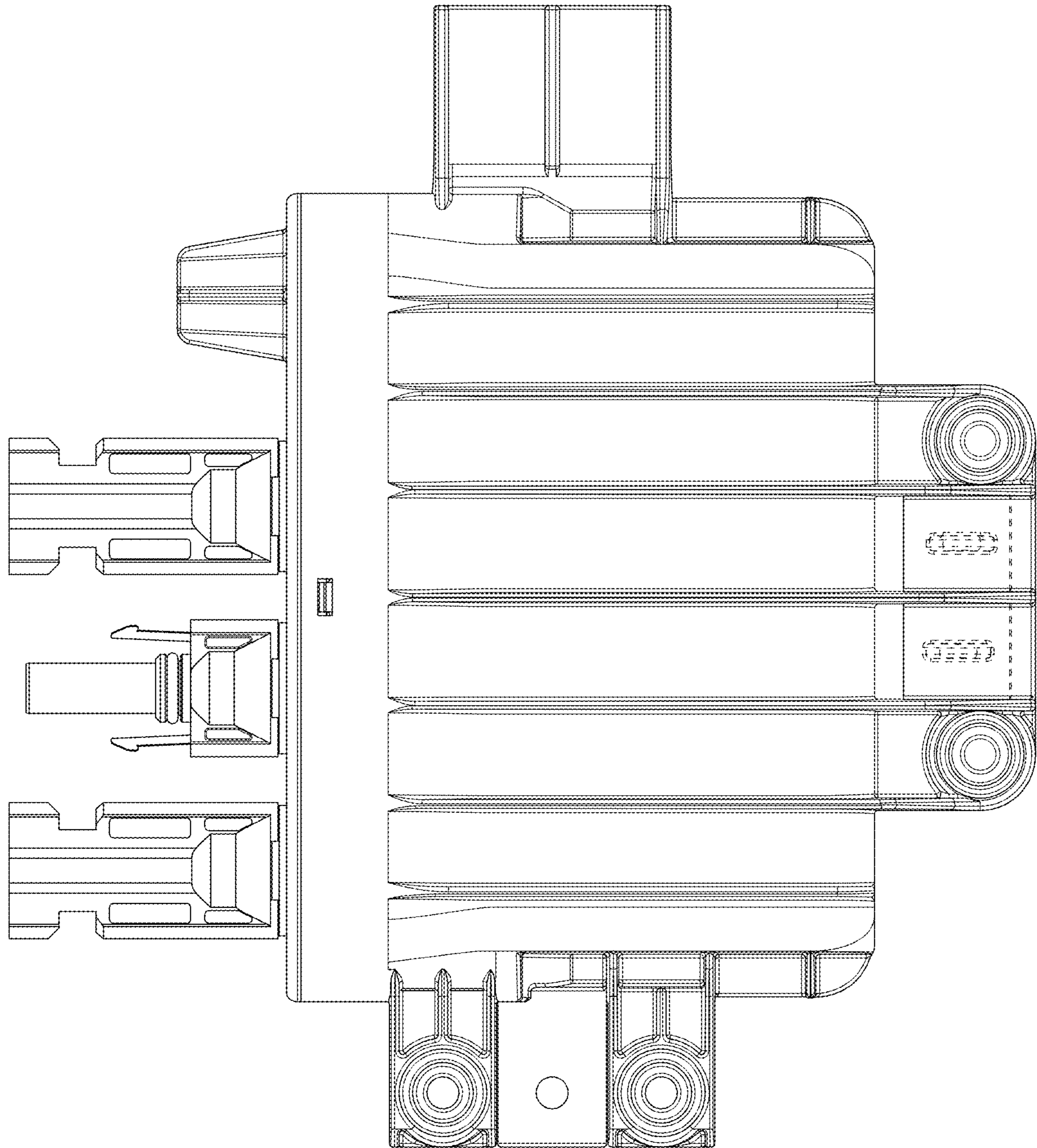
U.S. PATENT DOCUMENTS

D893,442	S	*	8/2020	Zimmerman, III	D14/140.6
D900,757	S	*	11/2020	Wan	D13/159
D904,984	S	*	12/2020	Hornby	D13/151
D908,632	S	*	1/2021	Cole	D13/146
D908,656	S	*	1/2021	Zimmerman, III	D14/140.6
D909,962	S	*	2/2021	Kim	D13/102
D911,281	S	*	2/2021	Biggers	D13/110

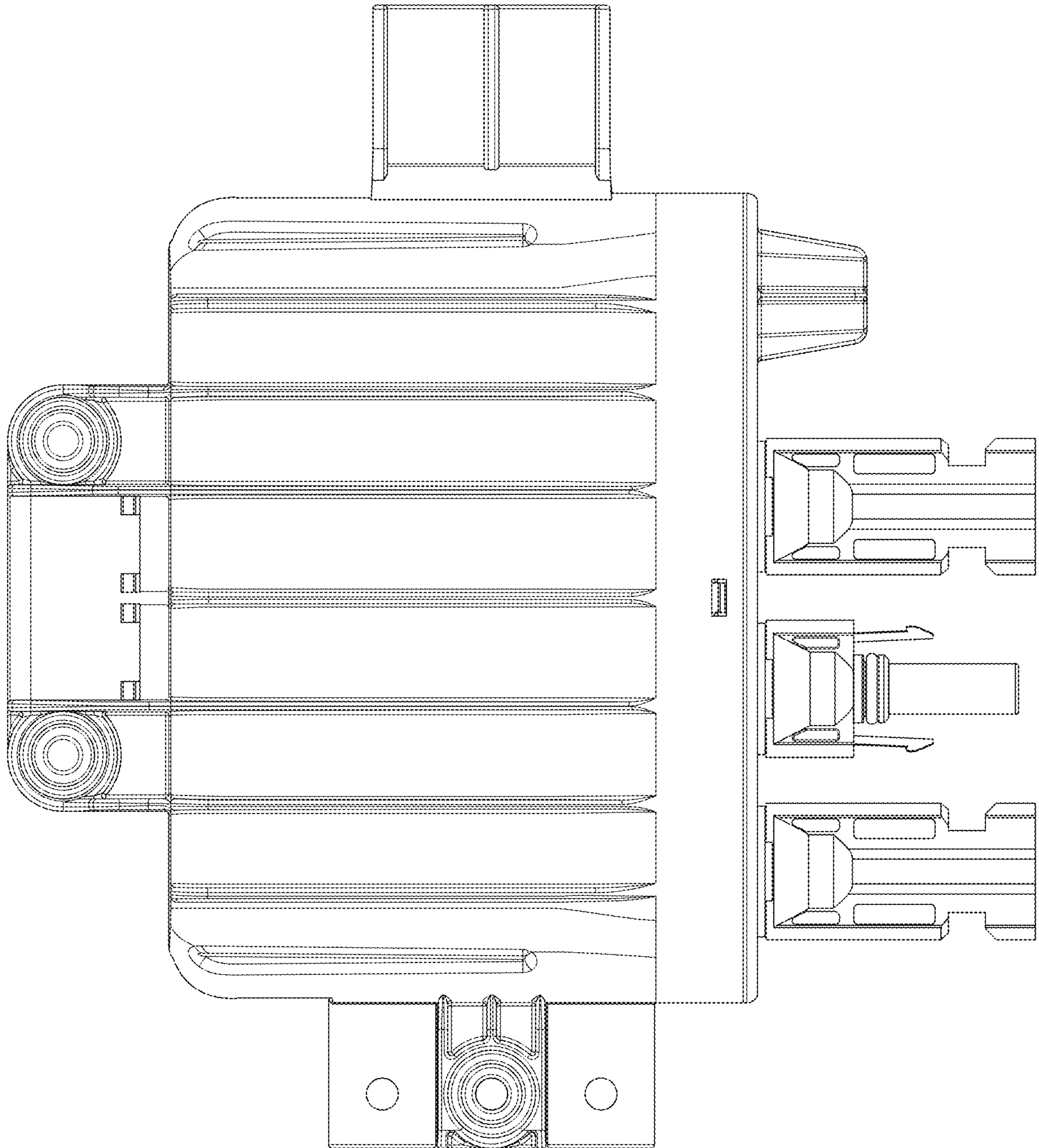
* cited by examiner



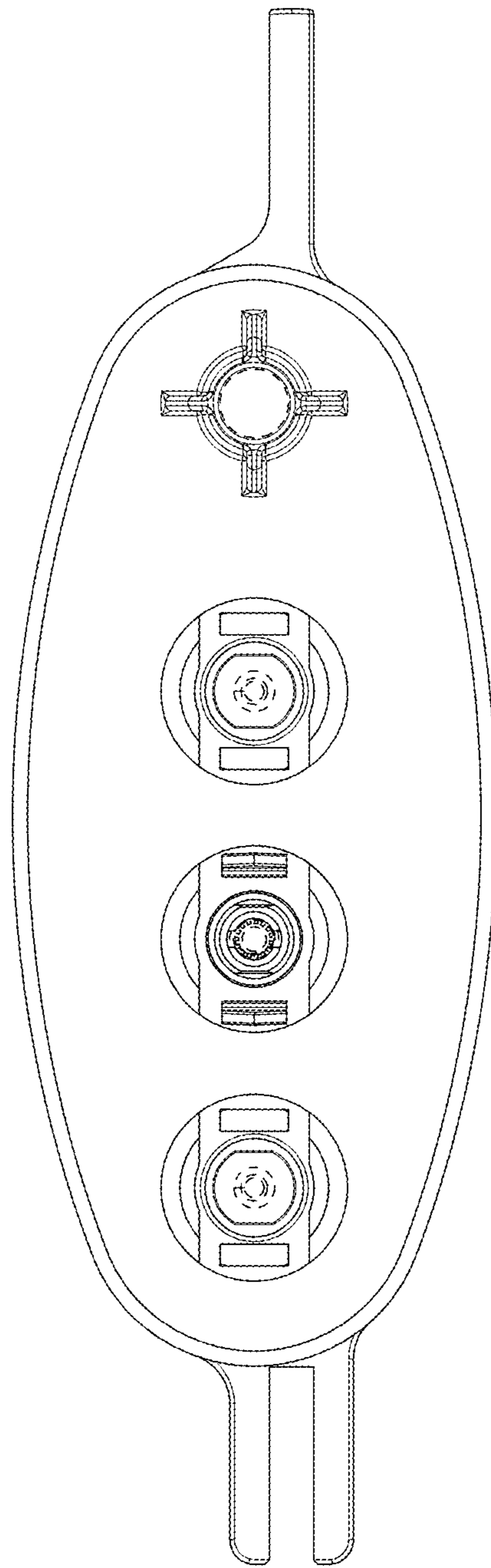
1.1



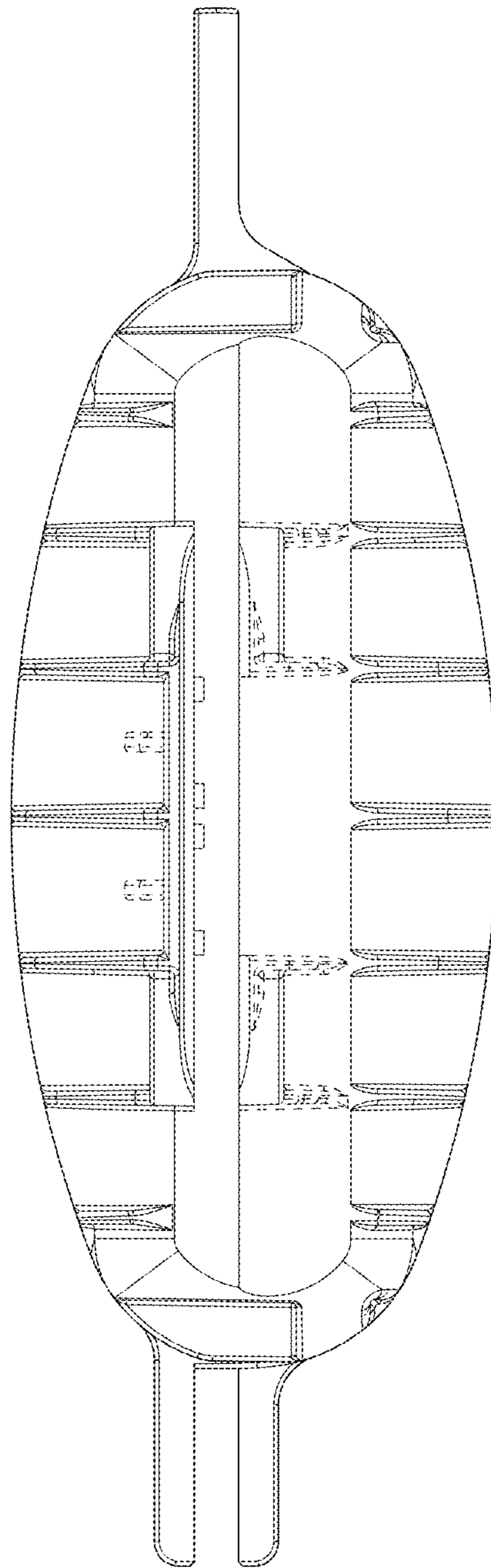
1.2



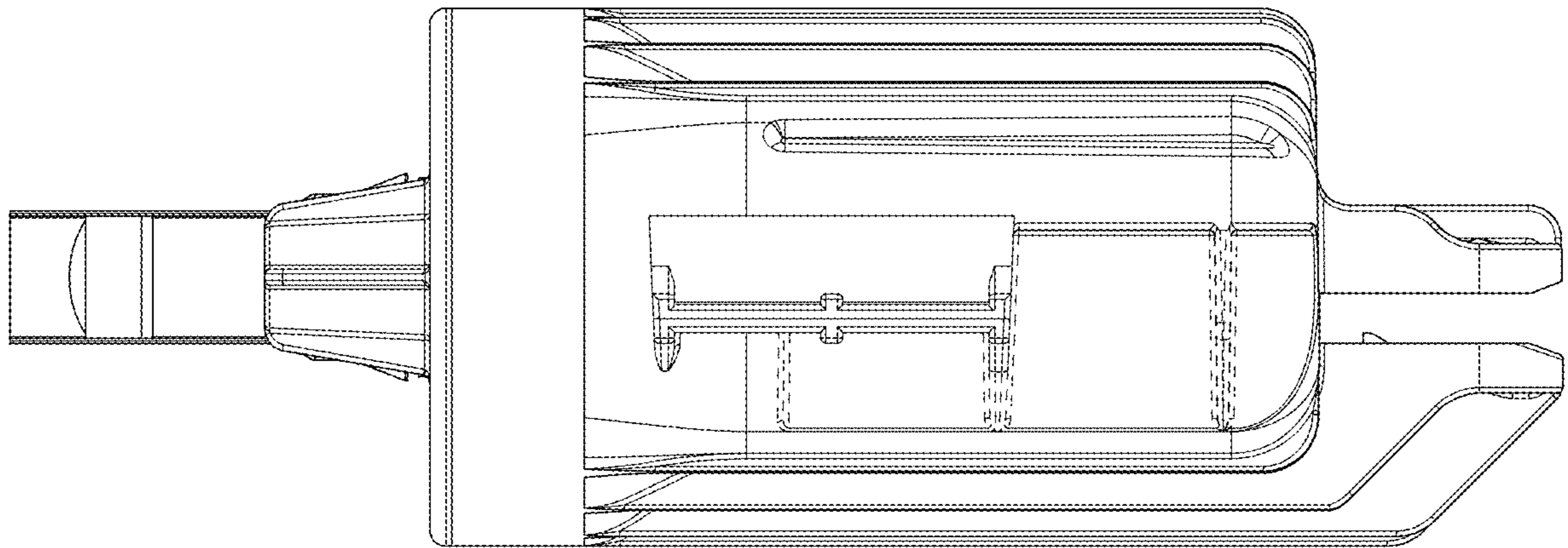
1.3



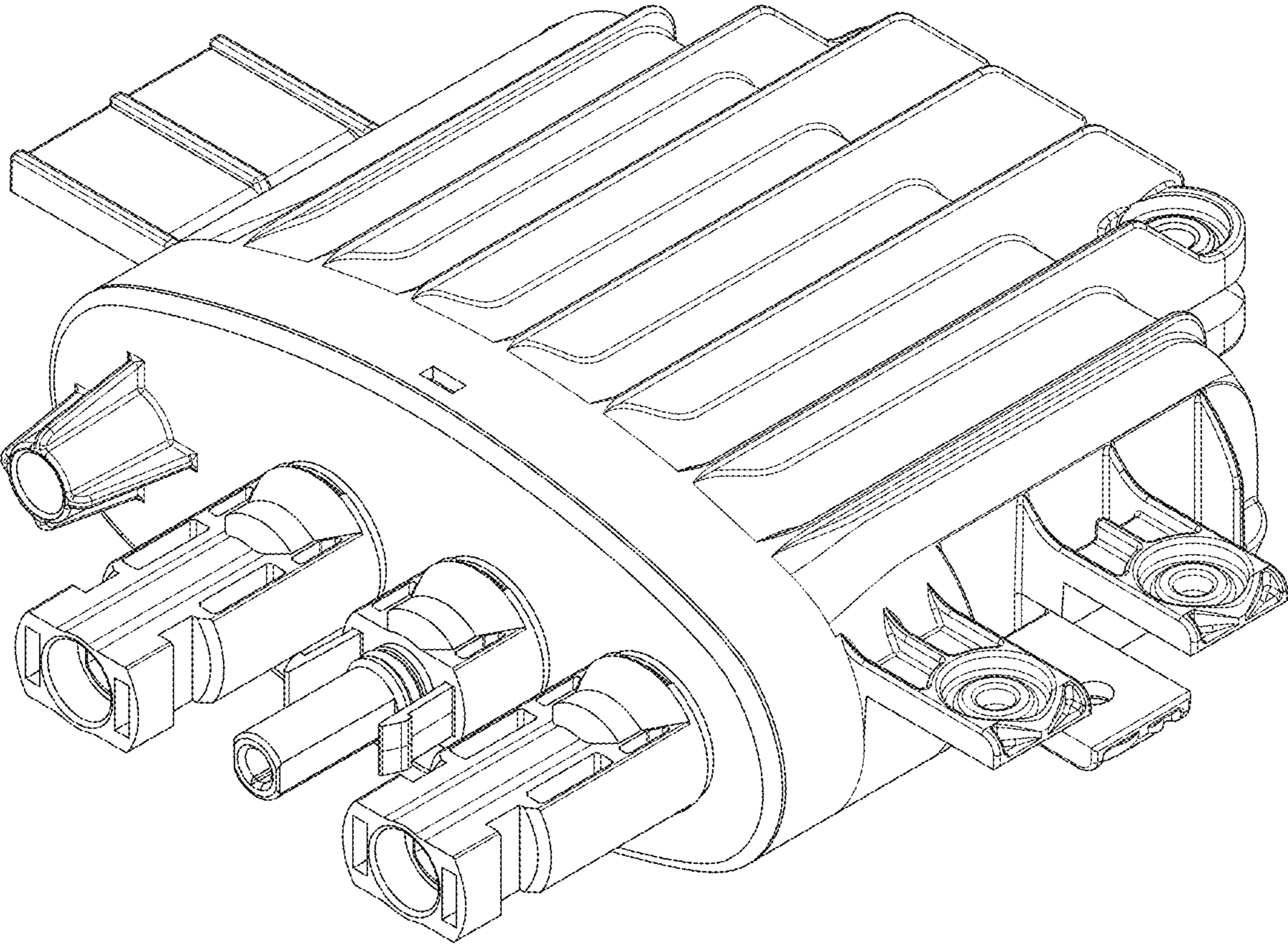
1.4



1.5



1.6



1.7