



US00D942397S

(12) **United States Design Patent**  
**Cai et al.**

(10) **Patent No.:** **US D942,397 S**  
(45) **Date of Patent:** **\*\* Feb. 1, 2022**

(54) **ADAPTER**

(71) Applicant: **Ningbo Yusing Lighting Co., Ltd,**  
Ningbo (CN)

(72) Inventors: **Xiaoyu Cai**, Ningbo (CN); **Linhu Yuan**, Ningbo (CN); **Qilin Li**, Ningbo (CN)

(73) Assignee: **Ningbo Yusing Lighting Co., Ltd,**  
Ningbo (CN)

(\*\*) Term: **15 Years**

(21) Appl. No.: **29/739,250**

(22) Filed: **Jun. 24, 2020**

(51) **LOC (13) Cl.** ..... **13-03**

(52) **U.S. Cl.**  
USPC ..... **D13/137.3**

(58) **Field of Classification Search**  
USPC ..... D13/137.1, 137.2, 137.3, 137.4, 138.1, D13/138.2, 139.1, 139.2, 139.7, 139.8, D13/184, 103, 107, 199, 108, 110, 119, D13/123, 133, 139.3, 139.5, 139.6, 152, D13/145, 153, 154, 156, 158, 160, 162, D13/177; D14/433, 434  
CPC ..... H01R 13/00; H01R 13/04; H01R 13/10; H01R 13/665; H01R 13/6666; H01R 13/6676; H01R 13/7135; H01R 25/00; H01R 25/006; H01R 9/00; H01R 11/00; H02H 3/33; H02H 3/162; H01H 2207/00; H01H 2207/022; H01H 2203/00; H05K 5/00; H05K 5/03

See application file for complete search history.

(56) **References Cited**

**U.S. PATENT DOCUMENTS**

D375,292 S \* 11/1996 D'Amato ..... D13/137.1  
D750,022 S \* 2/2016 Lin ..... D13/137.2  
D826,859 S \* 8/2018 Little ..... D13/137.2

D836,555 S \* 12/2018 Xu ..... D13/137.2  
D849,687 S \* 5/2019 Dai ..... D13/137.2  
D870,670 S \* 12/2019 Little ..... D13/137.2  
D882,520 S \* 4/2020 Little ..... D13/137.2

(Continued)

**FOREIGN PATENT DOCUMENTS**

GB 6035327 \* 5/2018

**OTHER PUBLICATIONS**

“Home Power Wireless Mini USA Wall Electric Plugs, 10A 100-240V Tuya Remote Control Wifi Smart Plug”, first accessed Oct. 27, 2021. Alibaba.com [https://www.alibaba.com/product-detail/Home-Power-Wireless-Mini-USA-Wall\_1600142672443.html] (Year: 2021).\*

(Continued)

*Primary Examiner* — Rosemary K Tarcza  
*Assistant Examiner* — Seth David Kumpf  
(74) *Attorney, Agent, or Firm* — Bayramoglu Law Offices LLC

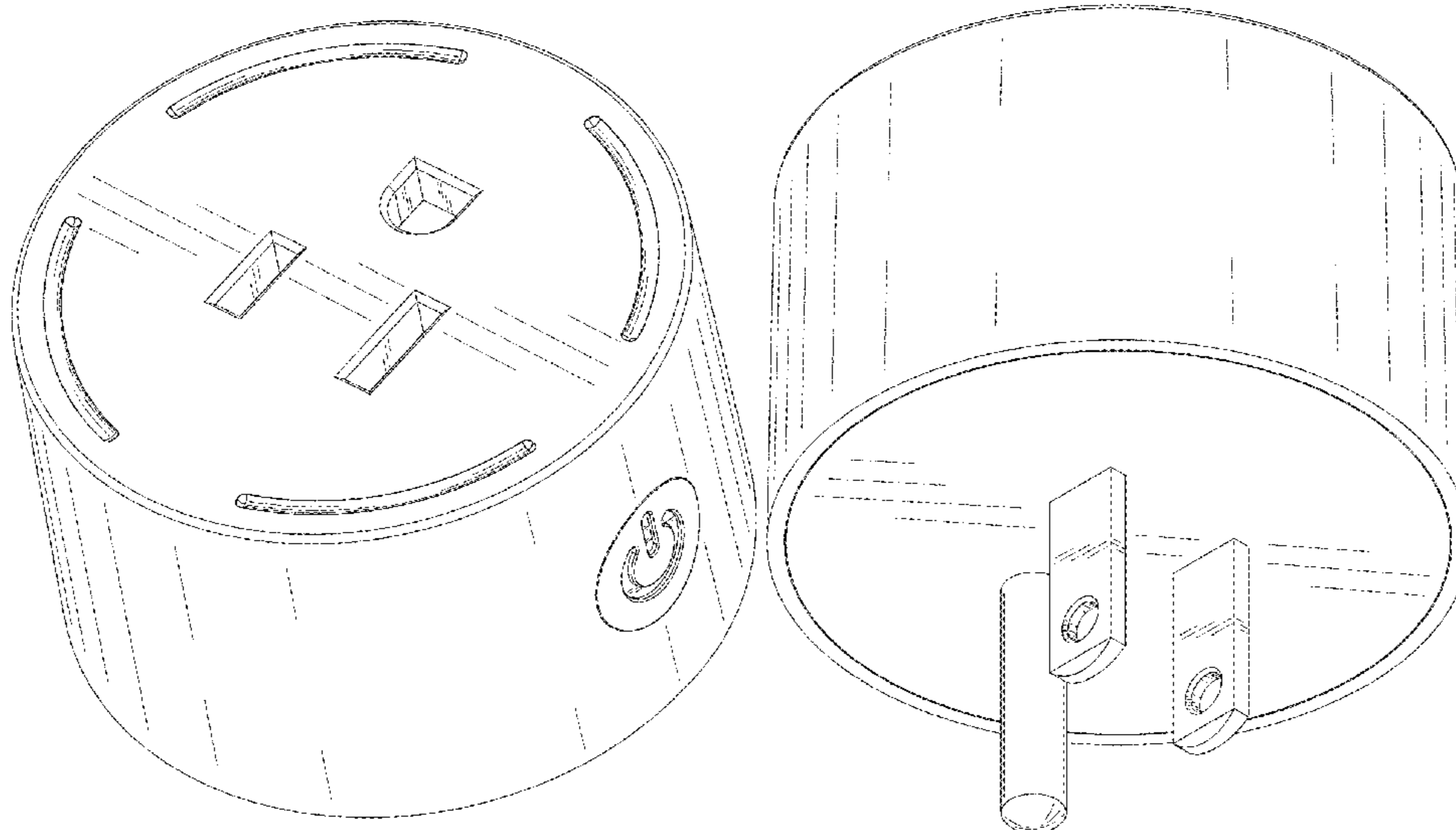
(57) **CLAIM**

The ornamental design for an adapter, as shown and described.

**DESCRIPTION**

FIG. 1 is a top perspective view of an adapter showing our new design;  
FIG. 2 is a top view thereof;  
FIG. 3 is a bottom view thereof;  
FIG. 4 is a front view thereof;  
FIG. 5 is a rear view thereof;  
FIG. 6 is a left side view thereof;  
FIG. 7 is a right side view thereof; and,  
FIG. 8 is a bottom perspective view thereof.  
The broken lines depict portions of the adapter in which the design is embodied that form no part of the claimed design.

**1 Claim, 8 Drawing Sheets**



(56)

**References Cited**

U.S. PATENT DOCUMENTS

2010/0159713 A1\* 6/2010 Nishihira ..... H01R 24/38  
439/39

OTHER PUBLICATIONS

“Wifi Smart Socket, Smart Plug, Smart life WiFi Plug, Outlet Compatible with Alexa and Google Home, Only 2.4G WiFi, No Need Hub, 10A, 2/4 pieces, for Home/Office (2)”, first available Nov. 17, 2020. Amazon.com [https://www.amazon.com/Socket-Outlet-Compatible-Google-pieces/dp/B08NPVW91F] (Year: 2020).\*

“Govee Smart Plug, WiFi Plugs Work with Alexa & Google Assistant, Smart Outlet with Timer & Group Controller, WiFi Outlet for Home, No Hub Required, ETL & FCC Certified, 2.4G WiFi Only, 4 Pack”, first available Nov. 2, 2020. Amazon.com [https://www.amazon.com/Govee-WiFi-Outlet/dp/B08731J1L4] (Year: 2020).\*

“Tuya APP Control Wifi Smart Socket Outlet Adapter Wireless For Alexa Google Home”, first accessed Oct. 26, 2021. eBay.com [https://www.ebay.com/itm/Tuya-APP-Control-Wifi-Smart-Socket-Outlet-Adapter-Wireless-For-Alexa-Google-Home-/254543933422?\_ul=IN] (Year: 2021).\*

\* cited by examiner

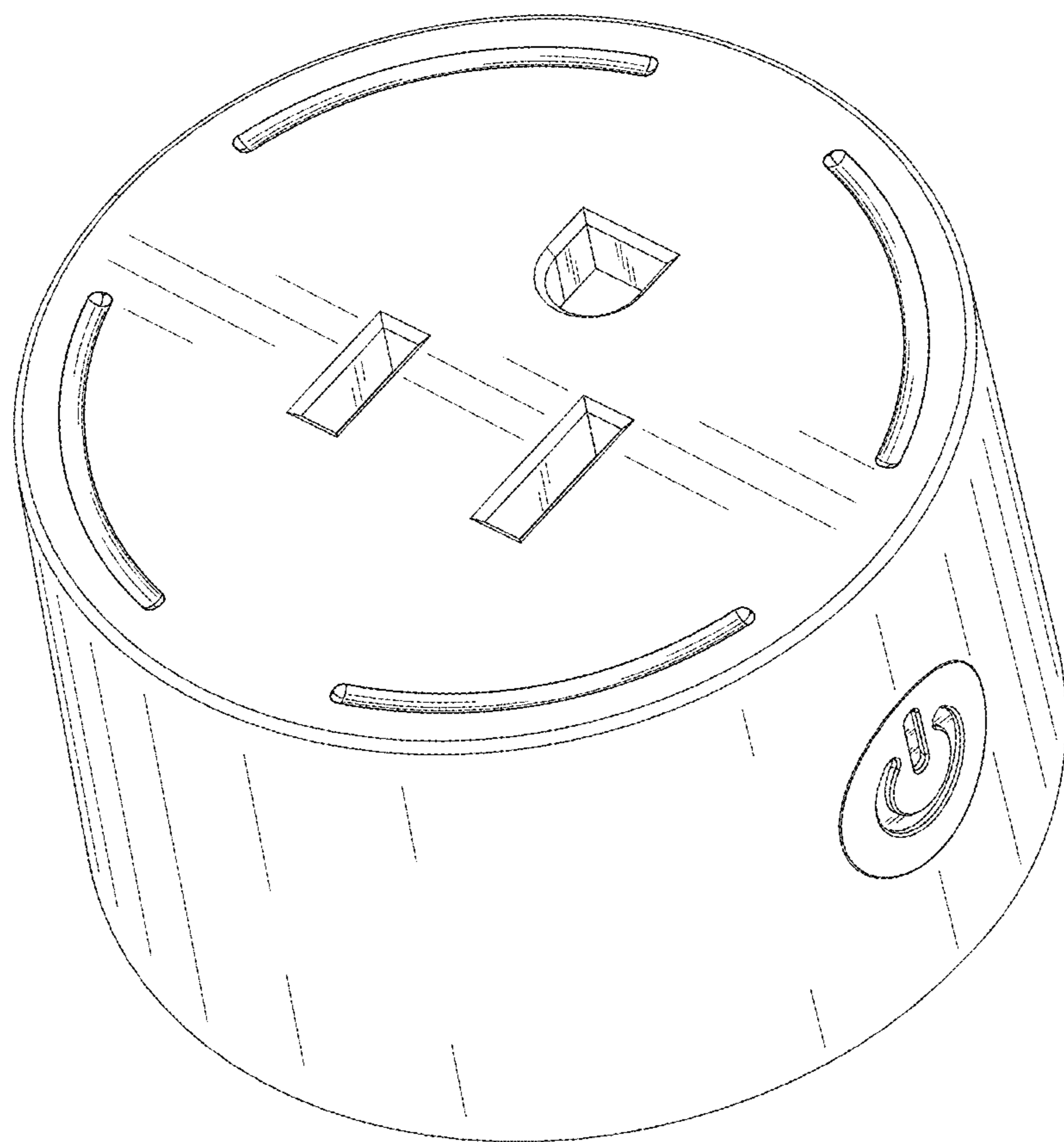


FIG. 1

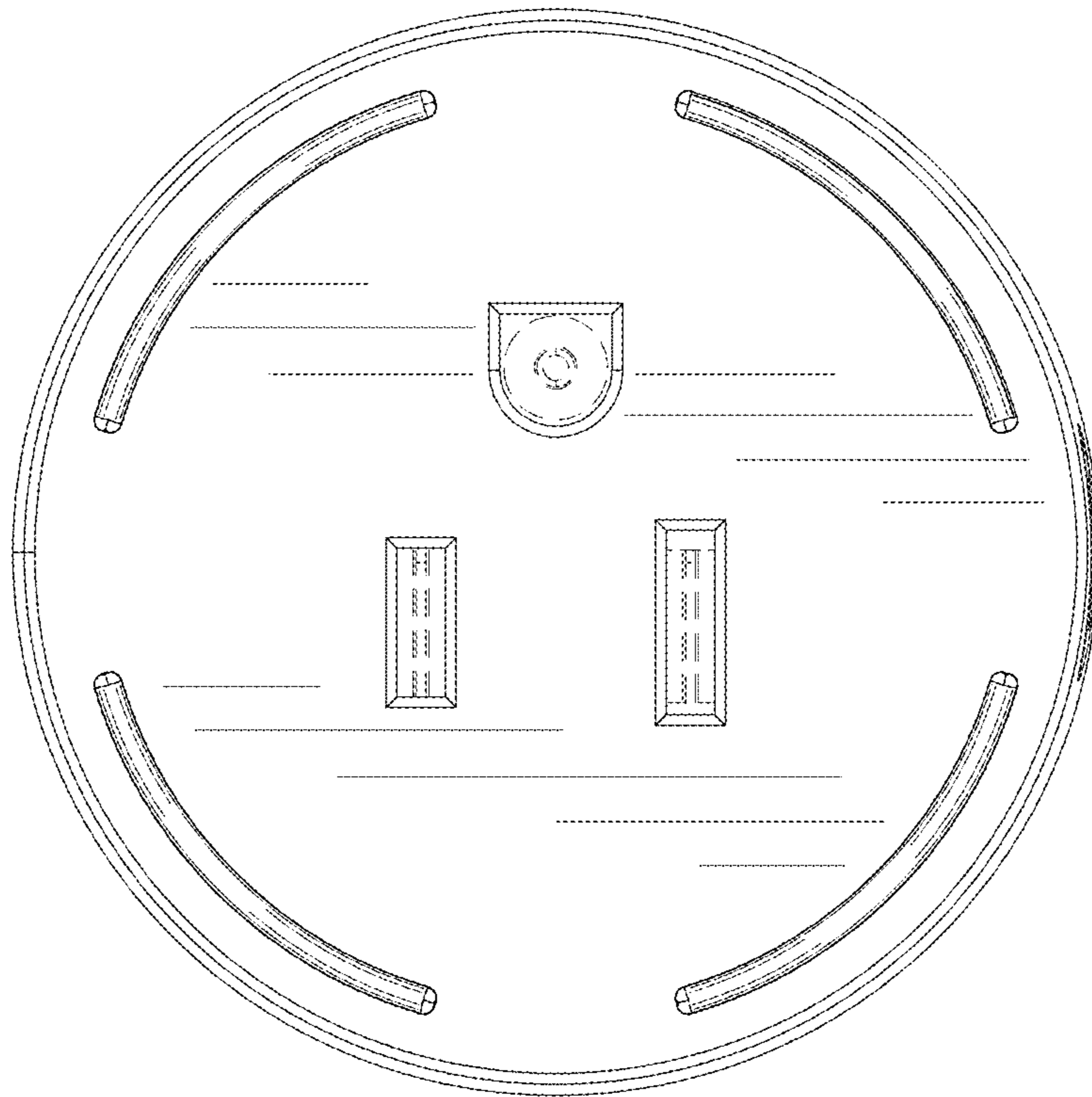


FIG. 2

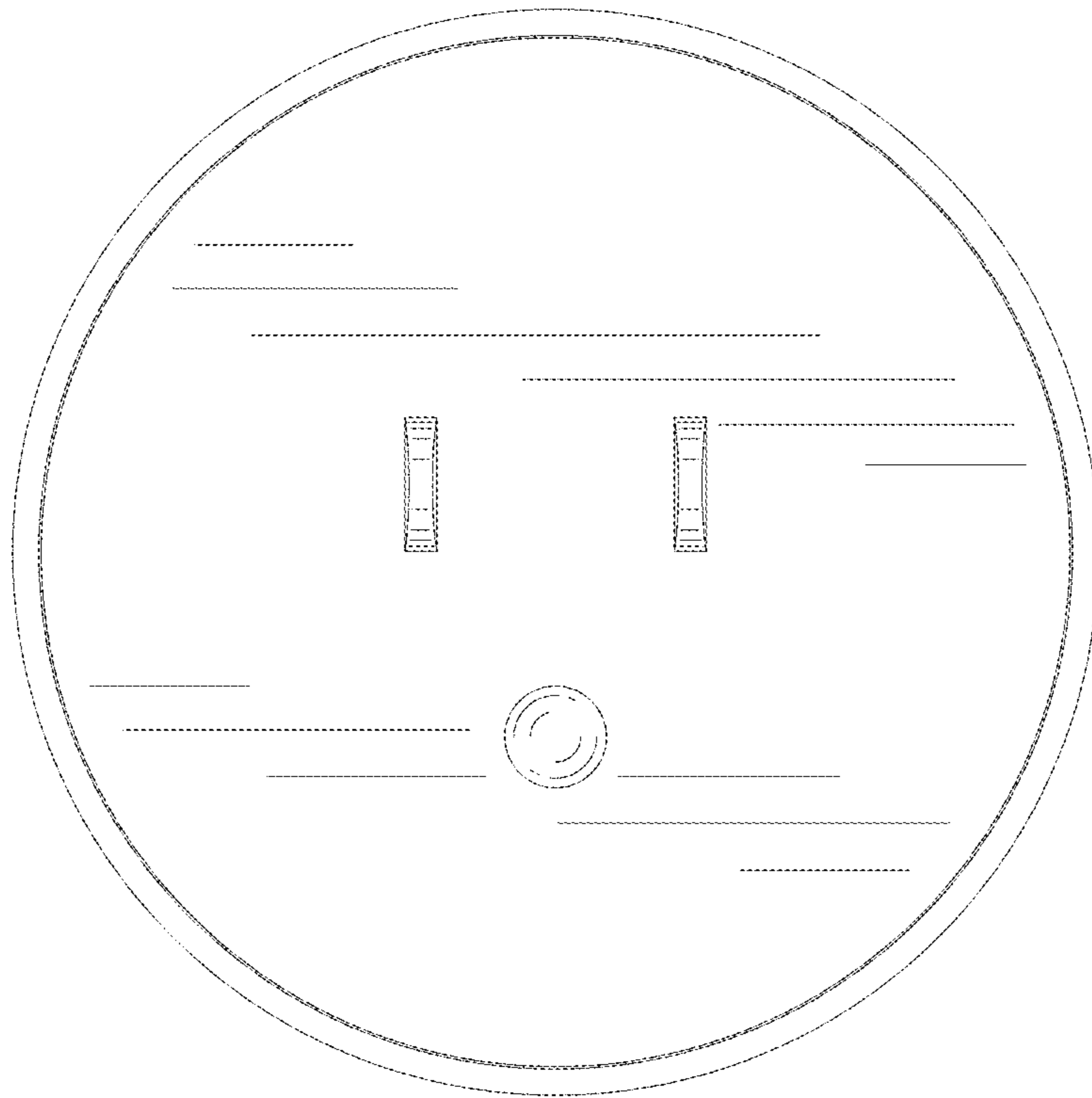


FIG. 3

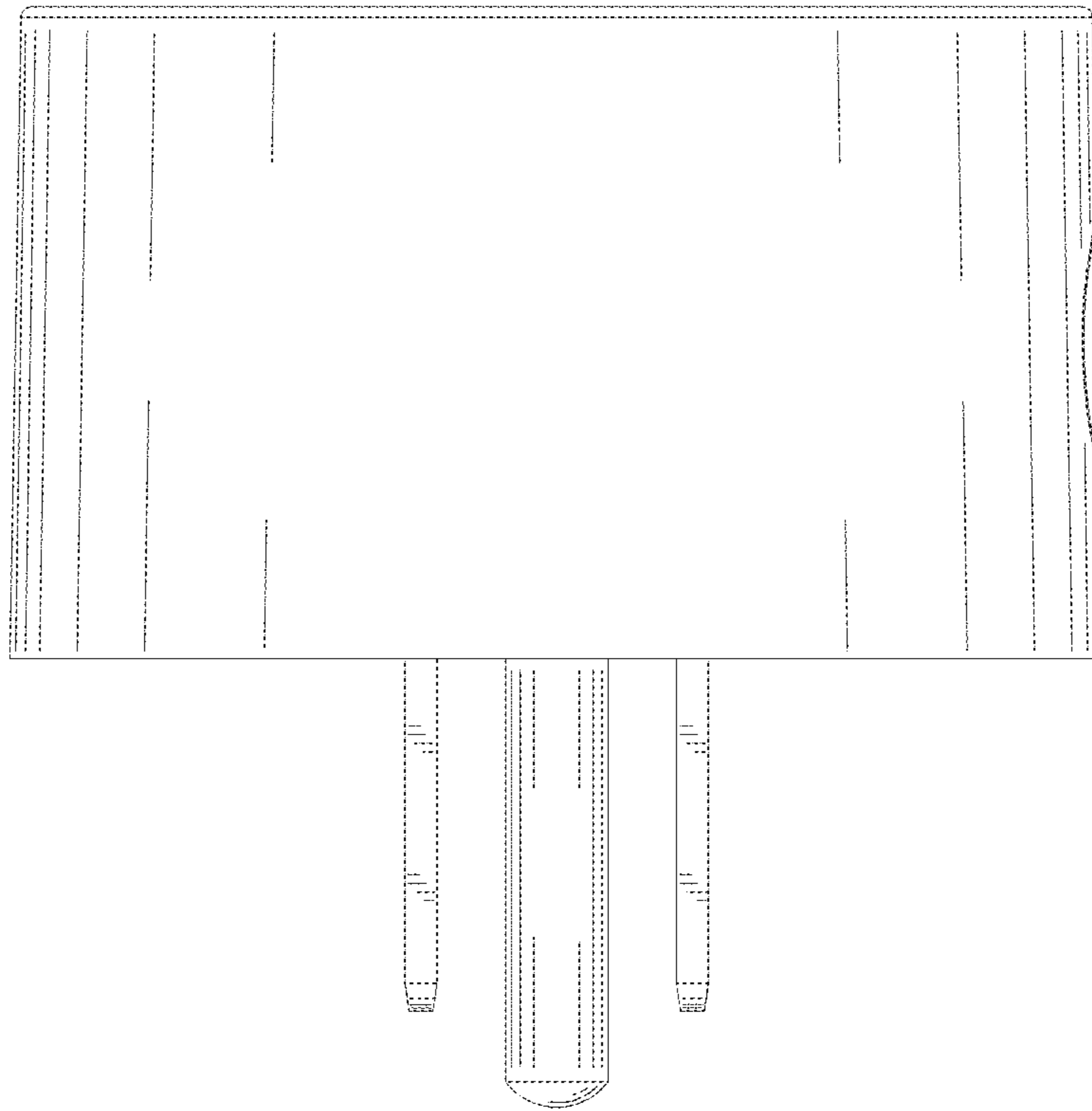


FIG. 4



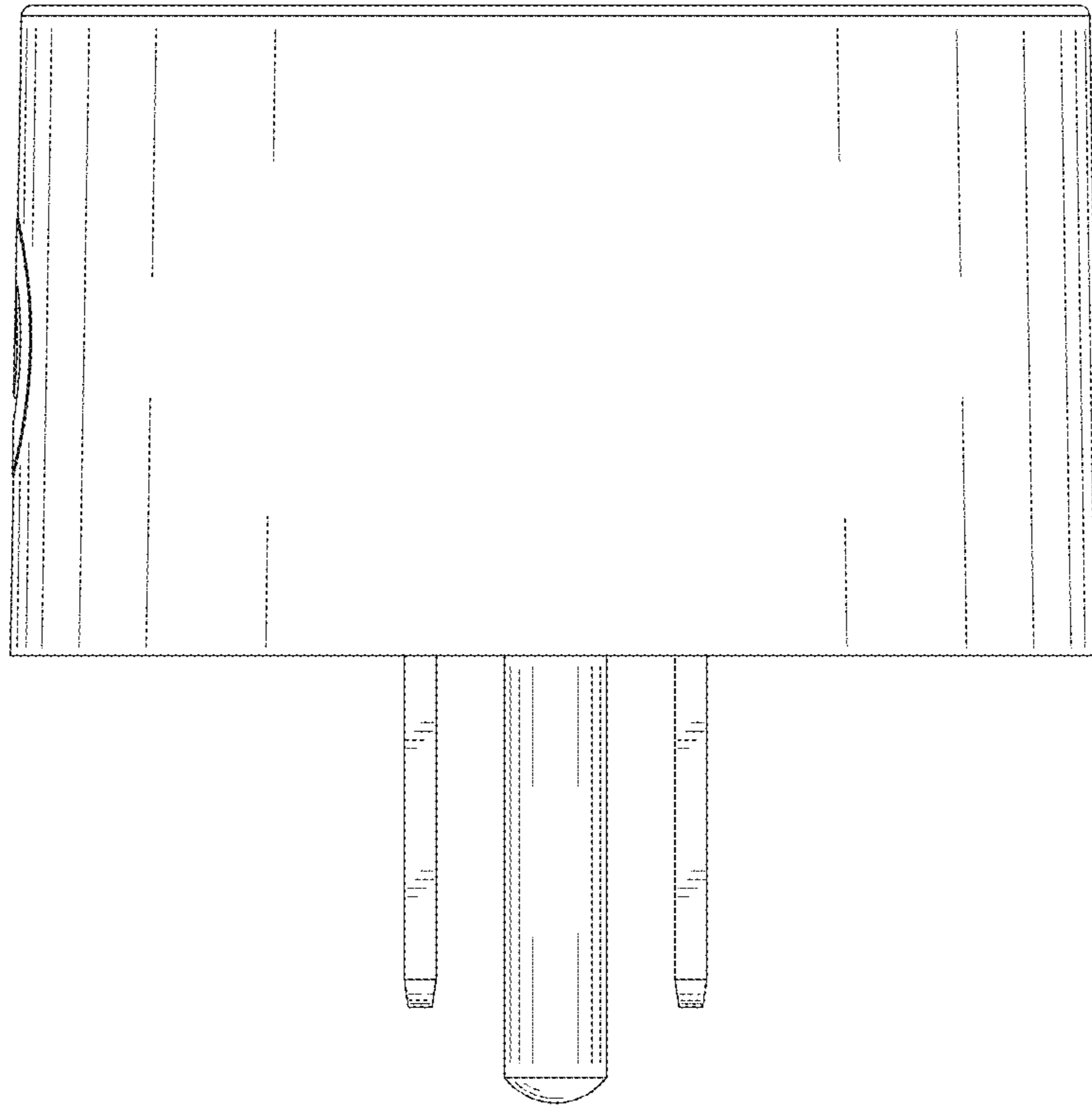


FIG. 5

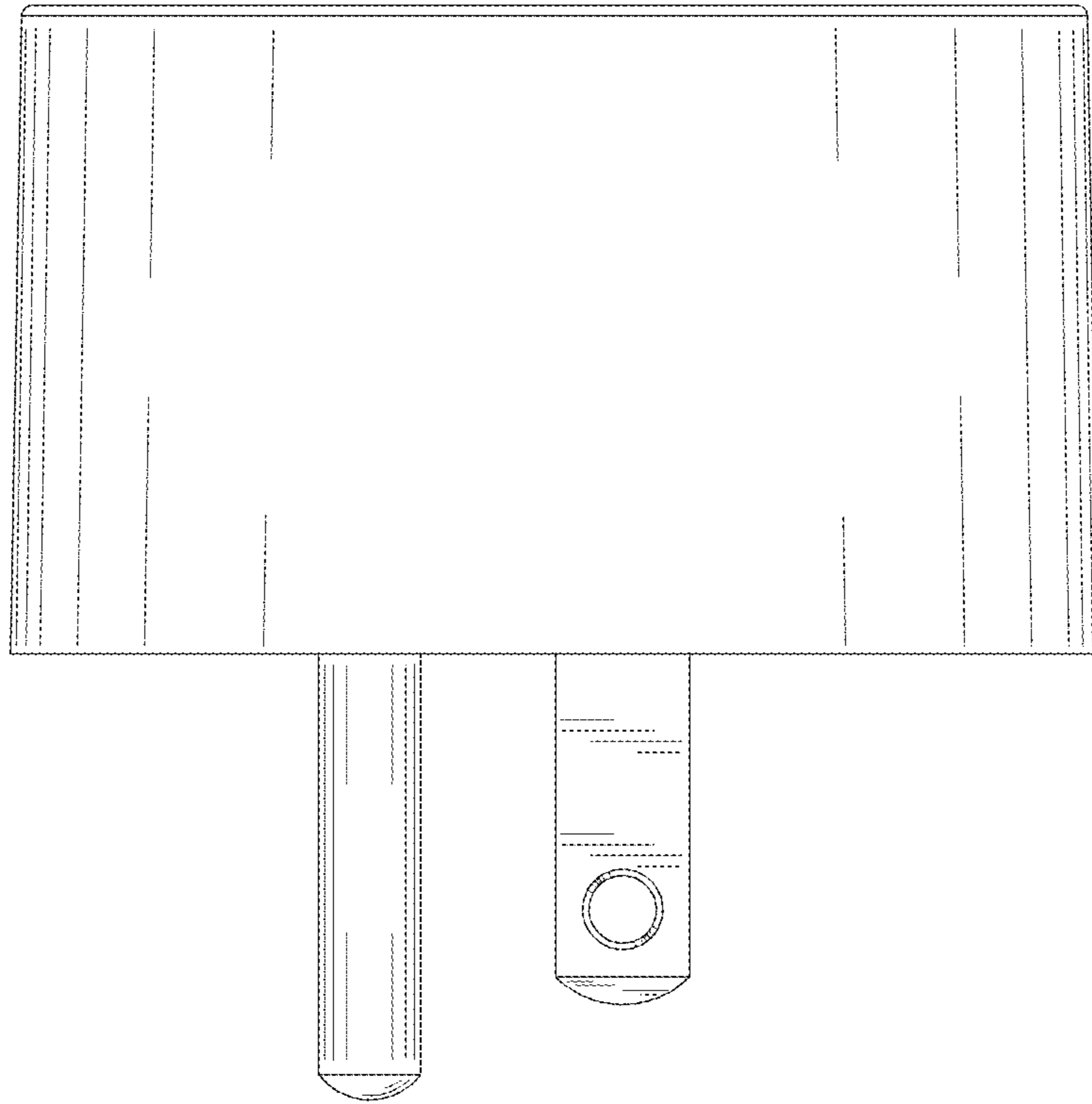


FIG. 6



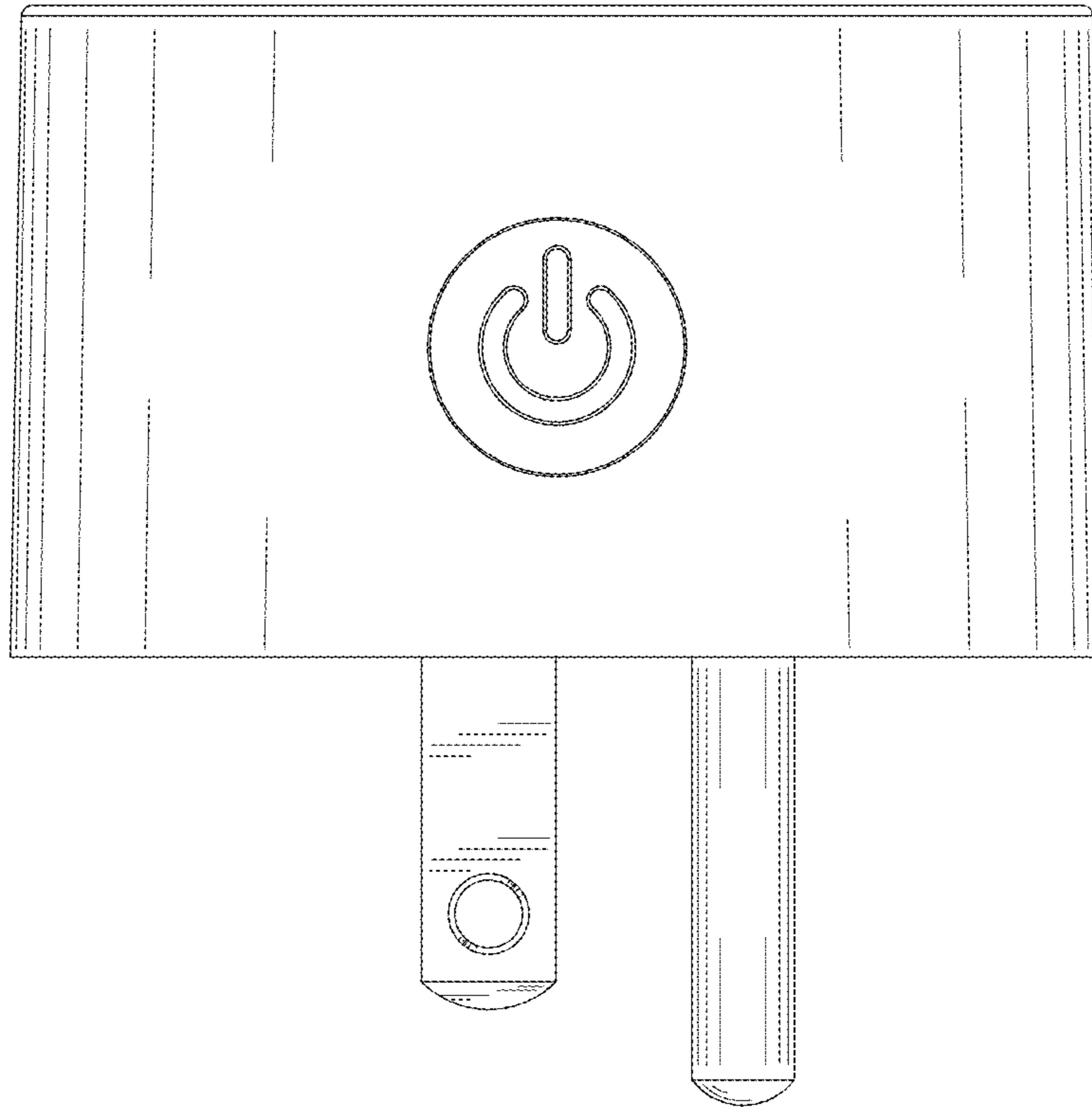


FIG. 7

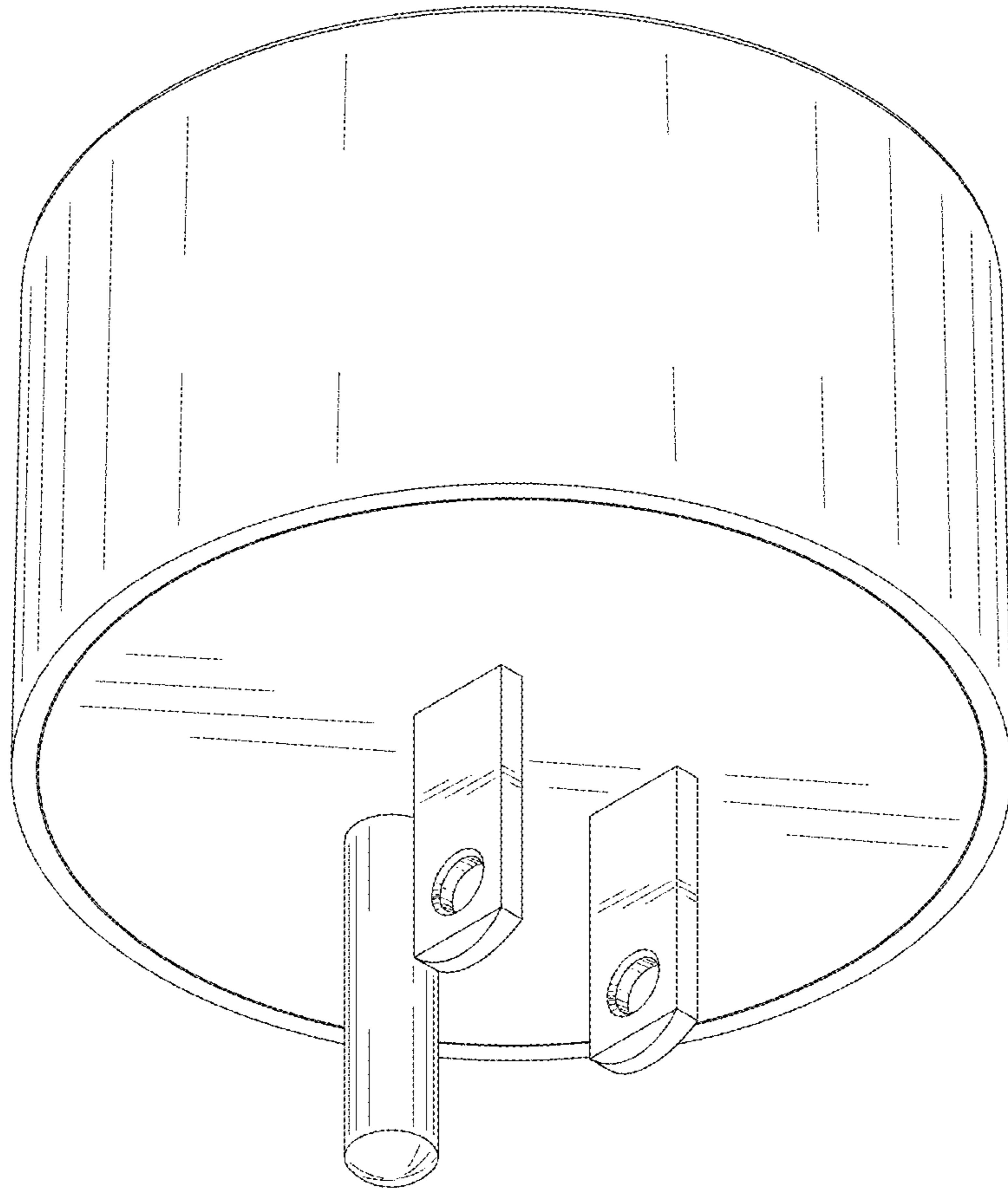


FIG. 8