



US00D942394S

(12) **United States Design Patent** (10) **Patent No.:** **US D942,394 S**
Wang (45) **Date of Patent:** **** Feb. 1, 2022**

(54) **BATTERY BOX**
(71) Applicant: **Yongjun Wang**, Zhejiang (CN)
(72) Inventor: **Yongjun Wang**, Zhejiang (CN)
(**) Term: **15 Years**
(21) Appl. No.: **29/714,924**
(22) Filed: **Nov. 26, 2019**
(51) **LOC (13) Cl.** **13-02**
(52) **U.S. Cl.**
USPC **D13/119**
(58) **Field of Classification Search**
USPC D13/102, 103, 104, 105, 106, 107, 108,
D13/110, 118, 119, 184, 199; D3/273,
D3/274, 302, 201, 264
CPC Y02E 60/12; Y02E 60/122; Y02E 60/124;
Y02E 60/50; H01M 10/4257; H01M
10/0436; H01M 10/48; H01M 2/02;
H01M 2/022; H01M 2/0202; H01M
2/0207; H01M 2/0212; H01M 2/1061;
H01M 2/1022; H01M 2/1055; H01M
2/1066; H01M 2/105; H01M 2/204;
H01M 2/04; H01M 2/0404; H01M
2/0406; H01M 2/0465; H01M 2/06
See application file for complete search history.

D838,238 S * 1/2019 Wu D13/102
D867,983 S * 11/2019 Li H02J 7/0042
D13/102
2019/0386497 A1* 12/2019 Degelau H02J 7/0042

FOREIGN PATENT DOCUMENTS

CN 303357850 * 9/2015
CN 303452804 * 11/2015
CN 304321664 * 10/2017
CN 304454874 * 1/2018
CN 304933264 * 12/2018
CN 305070757 * 3/2019
CN 305114809 * 4/2019
CN 305147743 * 5/2019
CN 305172537 * 5/2019
CN 305485051 * 12/2019
EM 007299367-0001 * 11/2019
GB 9007262621-0001 * 11/2019
GB 9007262621-0002 * 11/2019
GB 9007299367-0001 * 11/2019

* cited by examiner

Primary Examiner — Rosemary K Tarcza
Assistant Examiner — Seth David Kumpf

(57) **CLAIM**

I claim the ornamental design for a battery box, as shown and described.

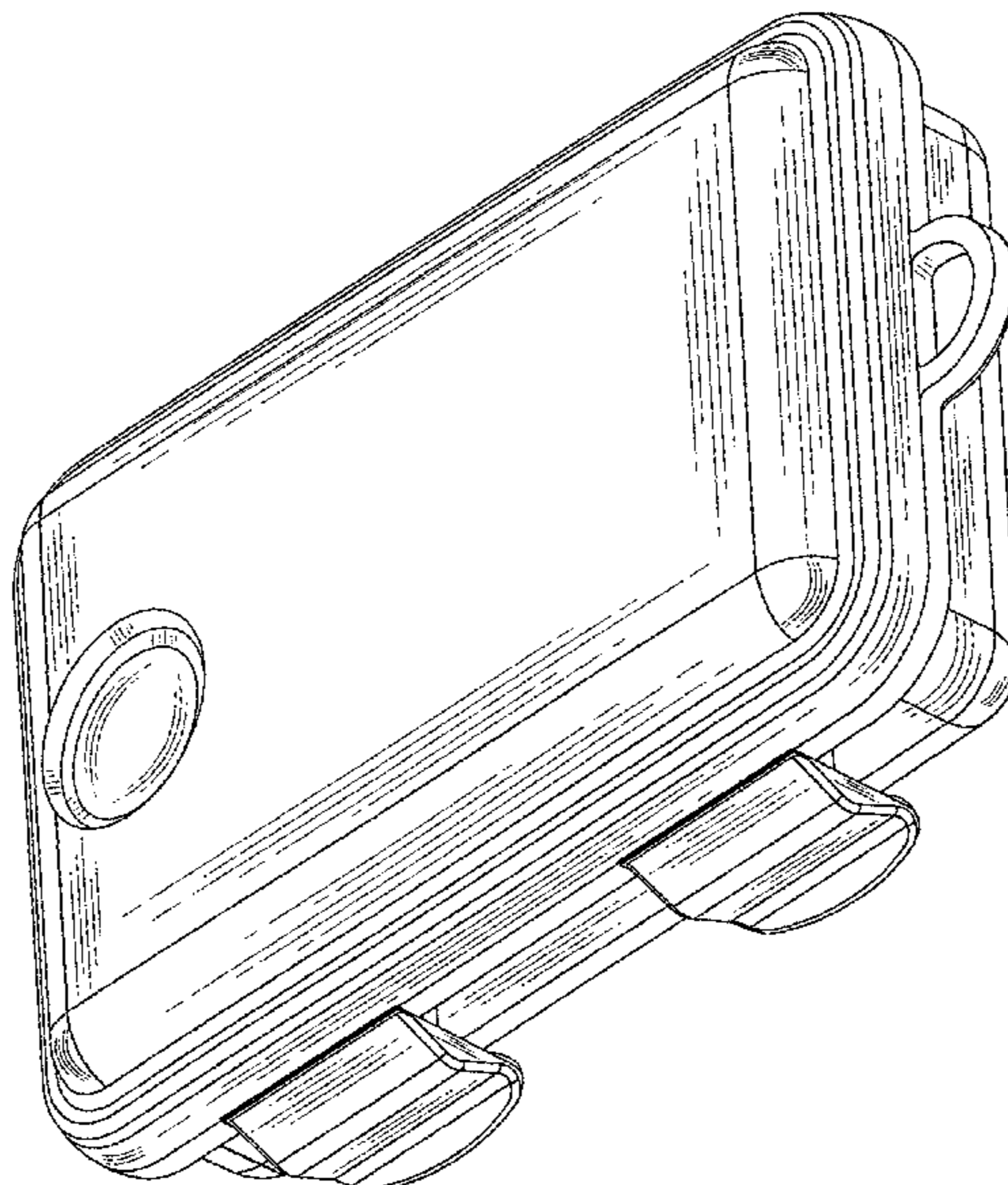
DESCRIPTION

FIG. 1 is a front elevational view of a battery box showing my new design;
FIG. 2 is a rear elevational view thereof;
FIG. 3 is a left side elevational view thereof;
FIG. 4 is a right side elevational view thereof;
FIG. 5 is a top plan view thereof;
FIG. 6 is a bottom plan view thereof;
FIG. 7 is a perspective view thereof;
FIG. 8 is the open state perspective view thereof; and,
FIG. 9 is another open state perspective view thereof.
The broken lines depict portions of the battery box that form no part of the claimed design.

1 Claim, 9 Drawing Sheets

(56) **References Cited**
U.S. PATENT DOCUMENTS

D514,808 S * 2/2006 Morine D3/273
D532,758 S * 11/2006 Shimodaira D13/184
D579,201 S * 10/2008 Galli D3/273
D650,736 S * 12/2011 Wharram D13/102
D674,801 S * 1/2013 Wharram D14/440
D685,178 S * 7/2013 Lv D3/206
D777,104 S * 1/2017 Liu D13/119
D805,667 S * 12/2017 Green D26/39
D821,968 S * 7/2018 Zhao D13/103



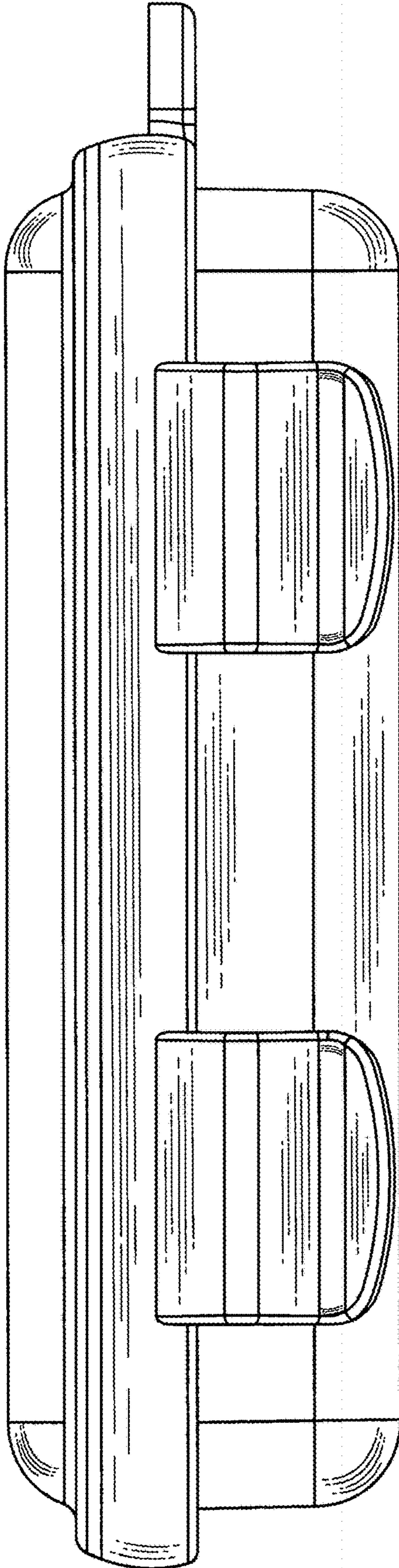


FIG. 1

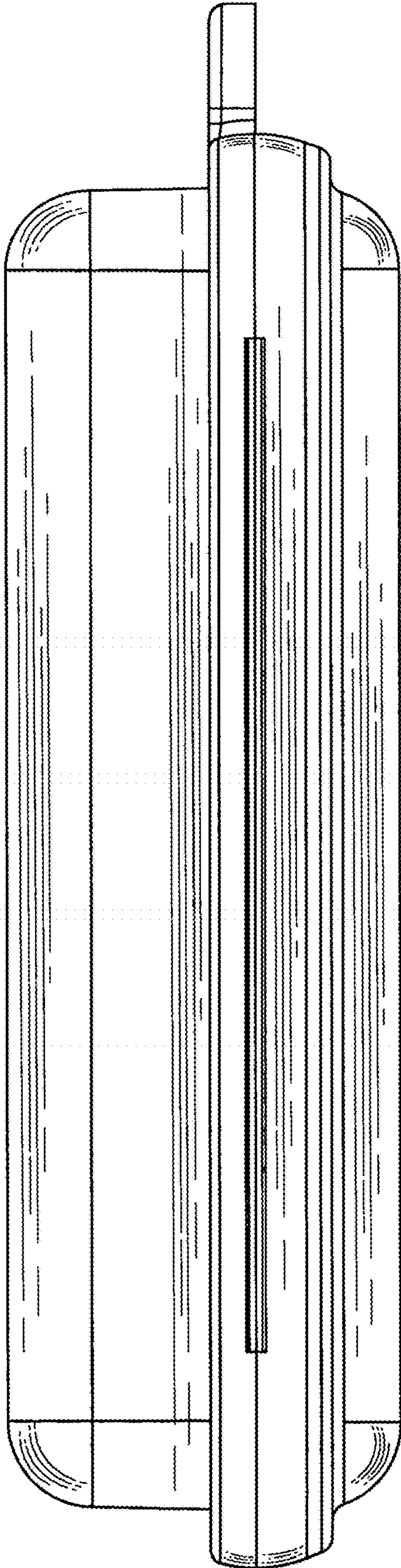


FIG. 2

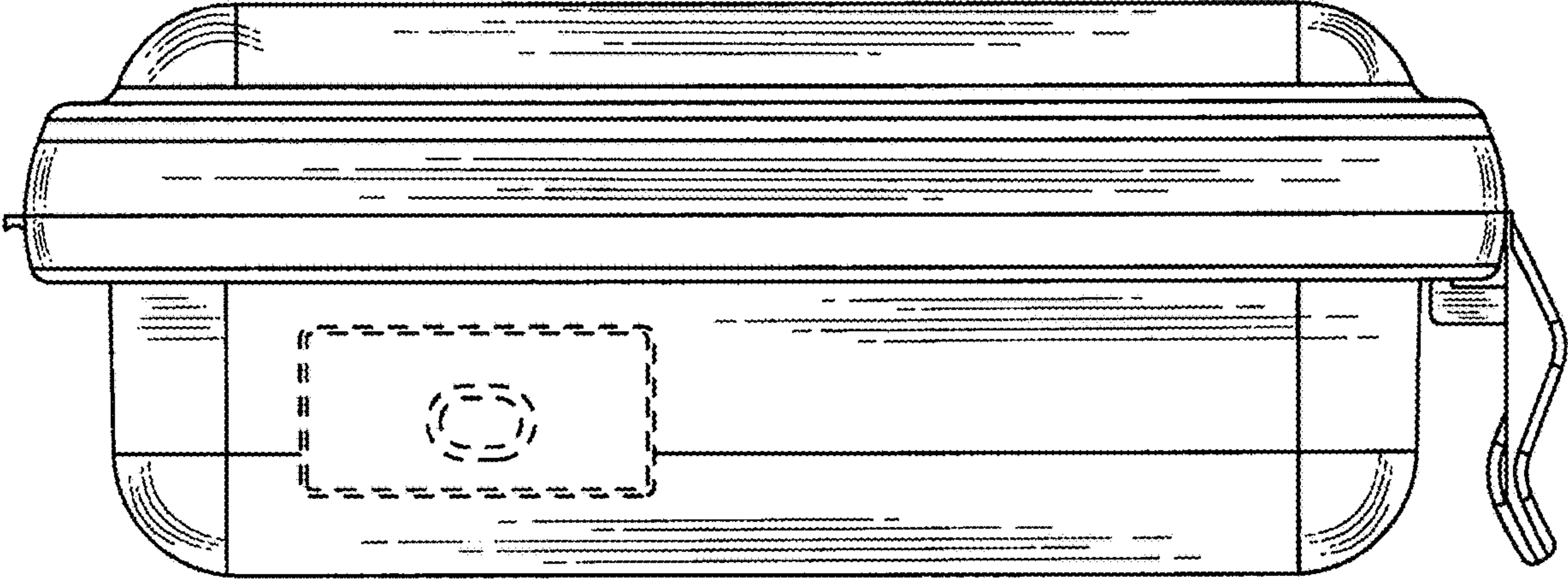


FIG. 3

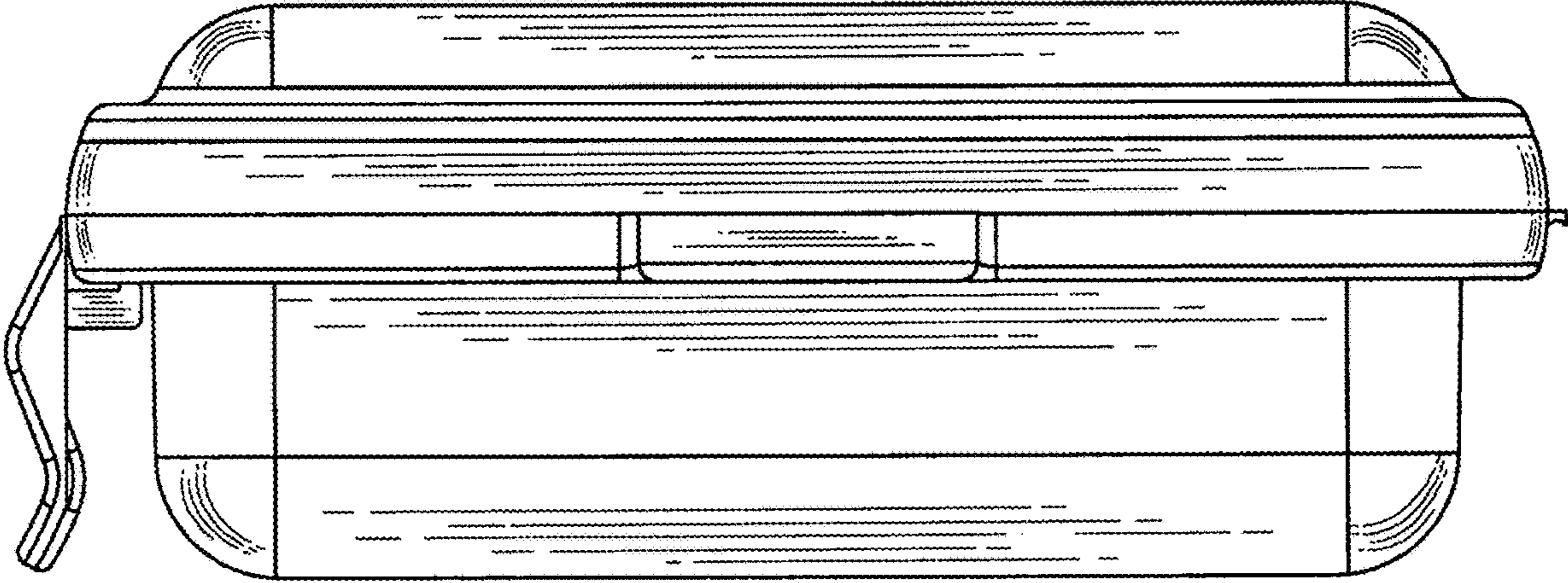


FIG. 4

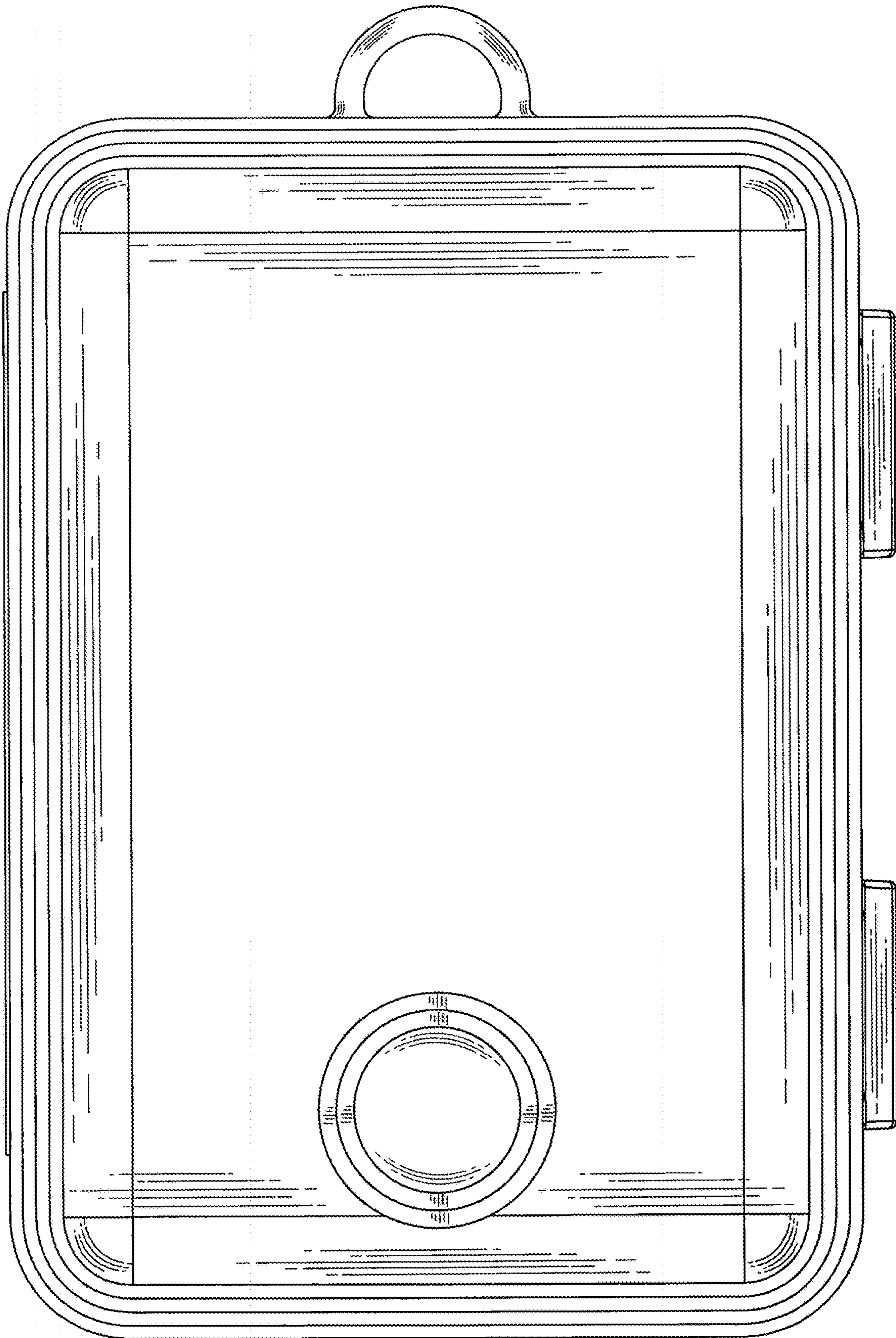


FIG. 5

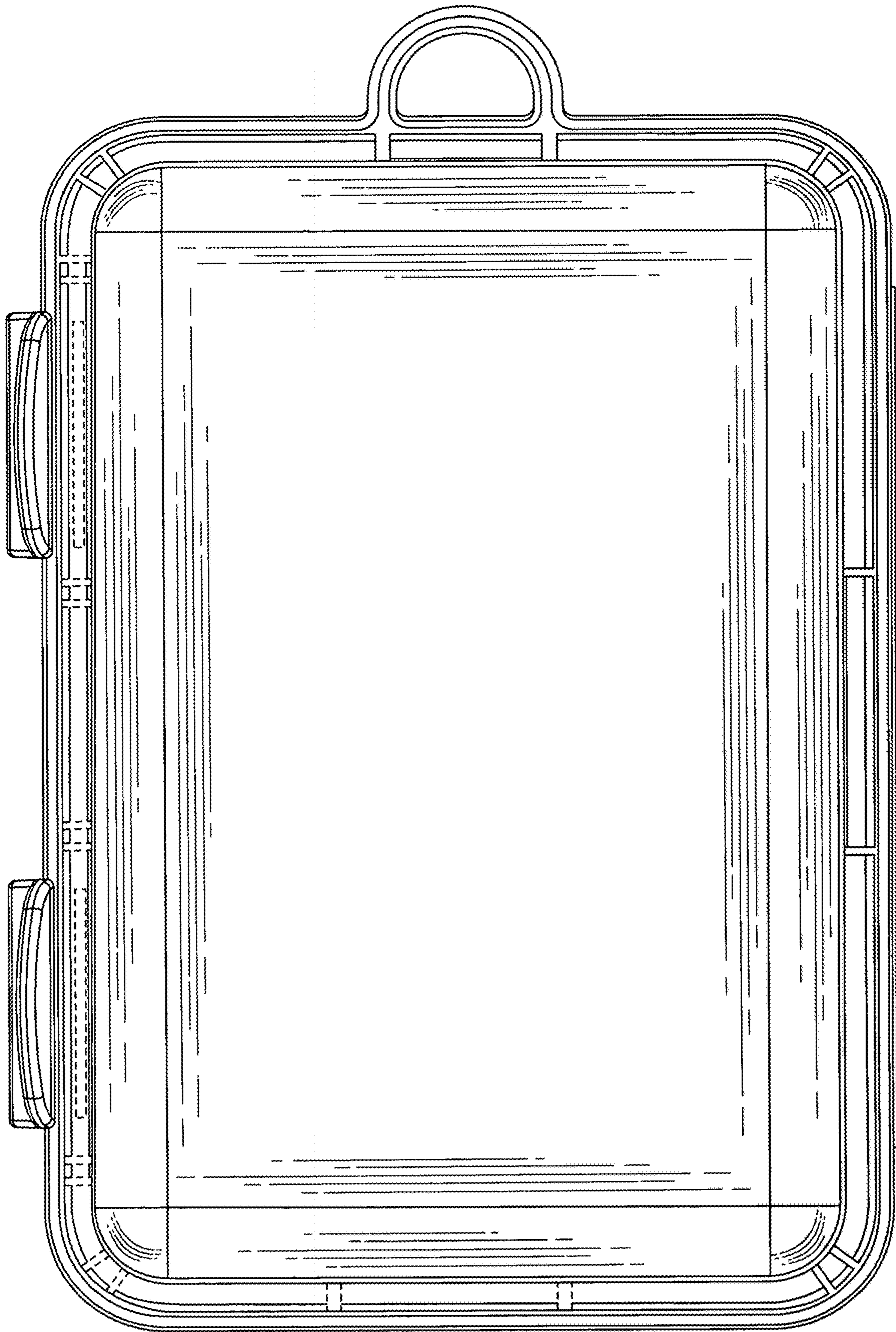


FIG. 6

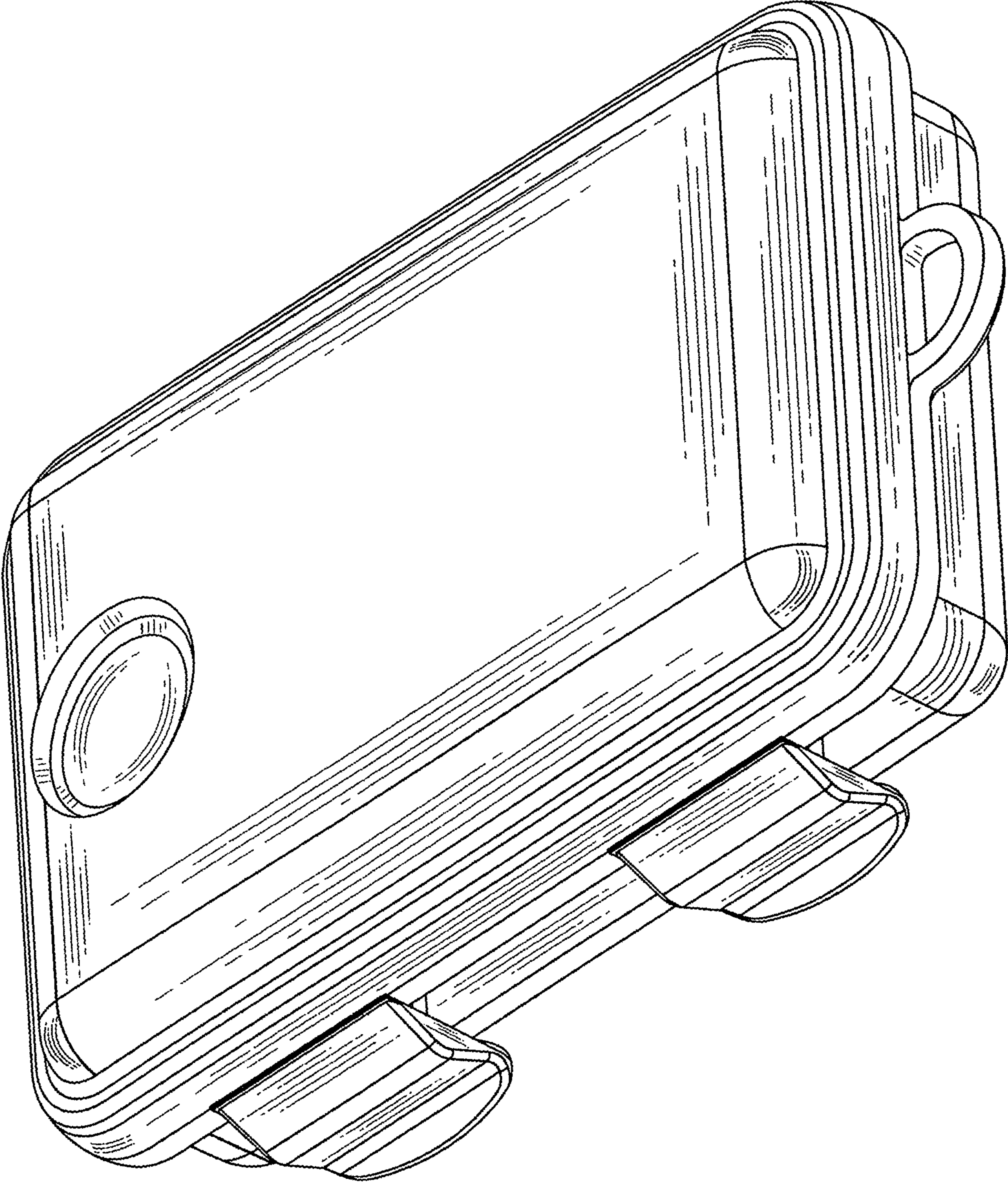


FIG. 7

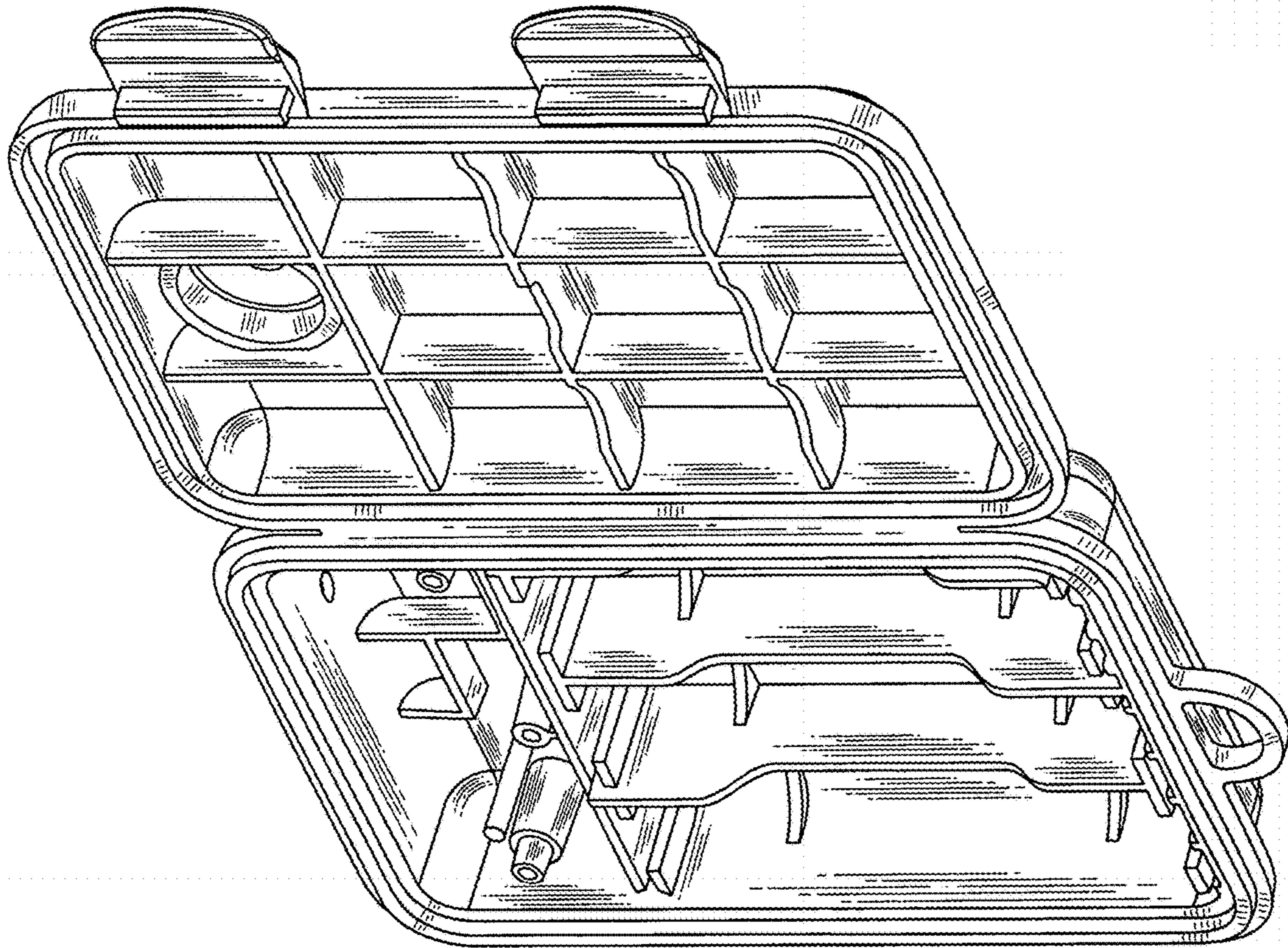


FIG. 8

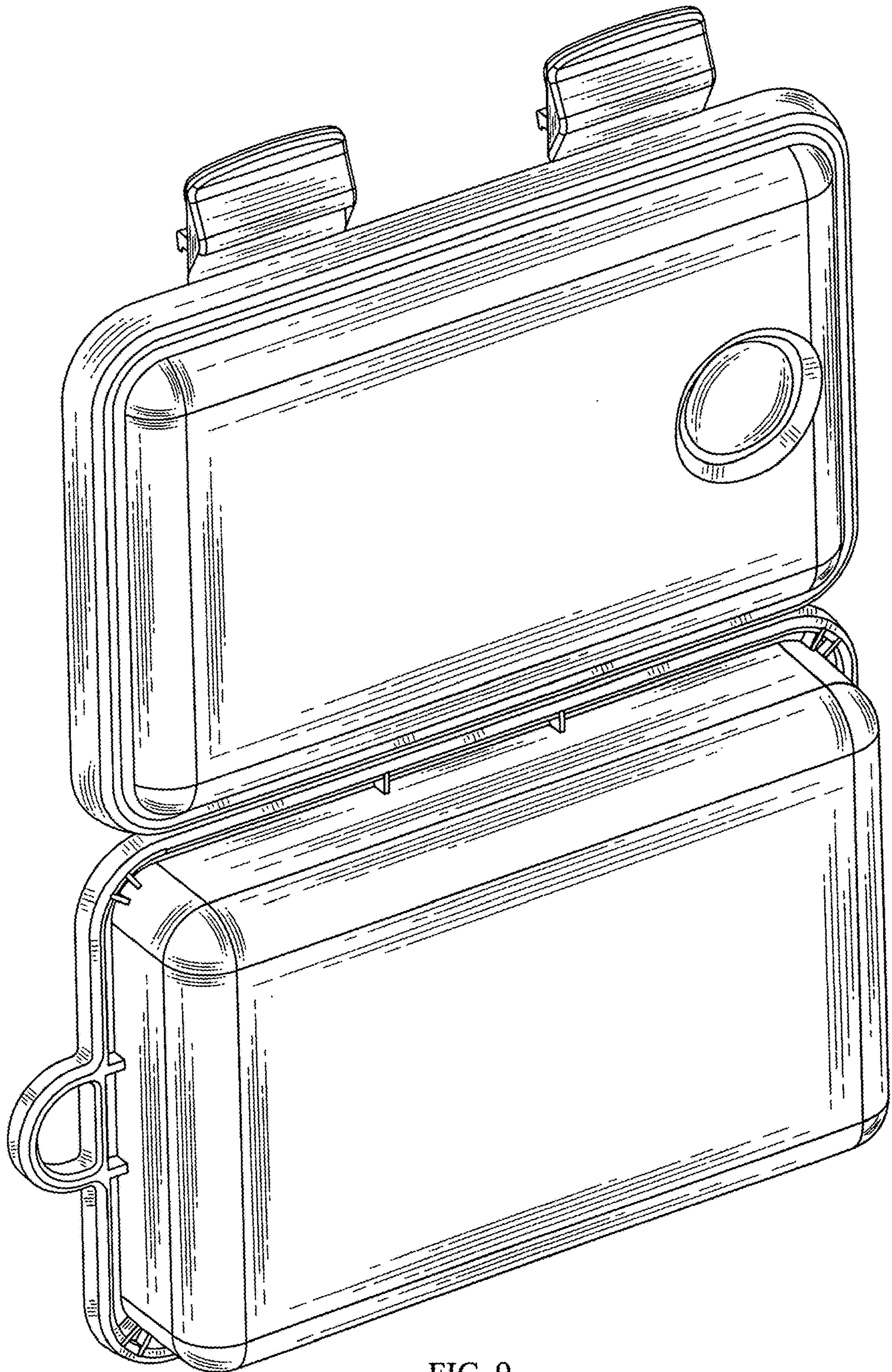


FIG. 9