

US00D942391S

(12) **United States Design Patent**  
**Yin et al.**

(10) **Patent No.:** **US D942,391 S**

(45) **Date of Patent:** **\*\* Feb. 1, 2022**

(54) **PORTABLE POWER SUPPLY**

(71) Applicant: **SHENZHEN POWEROAK  
NEWENER CO., LTD**, Shenzhen (CN)

(72) Inventors: **Xiangzhu Yin**, Shenzhen (CN); **Gang Wang**, Shenzhen (CN); **Jianhua Lei**, Shenzhen (CN)

(73) Assignee: **SHENZHEN POWEROAK  
NEWENER CO., LTD**, Shenzhen (CN)

(\*\*) Term: **15 Years**

(21) Appl. No.: **29/715,861**

(22) Filed: **Dec. 5, 2019**

(30) **Foreign Application Priority Data**

Sep. 26, 2019 (CN) ..... 201930531448.X

(51) **LOC (13) Cl.** ..... **13-02**

(52) **U.S. Cl.**  
USPC ..... **D13/110**

(58) **Field of Classification Search**  
USPC ..... D13/110, 137.2, 133, 139.8, 153, 103,  
D13/199, 107, 139.4, 139.5, 118, 108,  
(Continued)

(56) **References Cited**

**U.S. PATENT DOCUMENTS**

D624,492 S \* 9/2010 Daniels ..... D13/107  
D624,493 S \* 9/2010 Daniels ..... D13/107  
(Continued)

**FOREIGN PATENT DOCUMENTS**

CN 304864626 \* 10/2018  
CN 305956233 \* 7/2020  
(Continued)

**OTHER PUBLICATIONS**

“300W Solar Generator, FlashFish 60000mAh Portable Power Station Camping Potable Generator, CPAP Battery Recharged by Solar Panel/Wall Outlet/Car, 110V AC Out/DC 12V /QC USB Ports for CPAP Camp Travel”, first accessed Sep. 13, 2021. Amazon.com [https://www.amazon.com/Portable-Generator-FlashFish-60000mAh-Recharged/dp/B07SG55MGC/ref=sr\_1\_17\_sspa?dchild=1&keywords=Portable+P%E2%80%A6] (Year: 2021).\*

(Continued)

*Primary Examiner* — Rosemary K Tarcza

*Assistant Examiner* — Seth David Kumpf

(74) *Attorney, Agent, or Firm* — IPro, PLLC

(57) **CLAIM**

The ornamental design for a portable power supply, as shown and described.

**DESCRIPTION**

FIG. 1 is a front perspective view of an embodiment of an ornamental design for a portable power supply showing our new design;

FIG. 2 is a rear perspective view thereof;

FIG. 3 is a front elevation view thereof;

FIG. 4 is a rear elevation view thereof;

FIG. 5 is a left side elevation view thereof;

FIG. 6 is a right side elevation view thereof;

FIG. 7 is a top plan view thereof;

FIG. 8 is a bottom plan view thereof;

FIG. 9 is an enlarged view of the area “9” shown in FIG. 1;

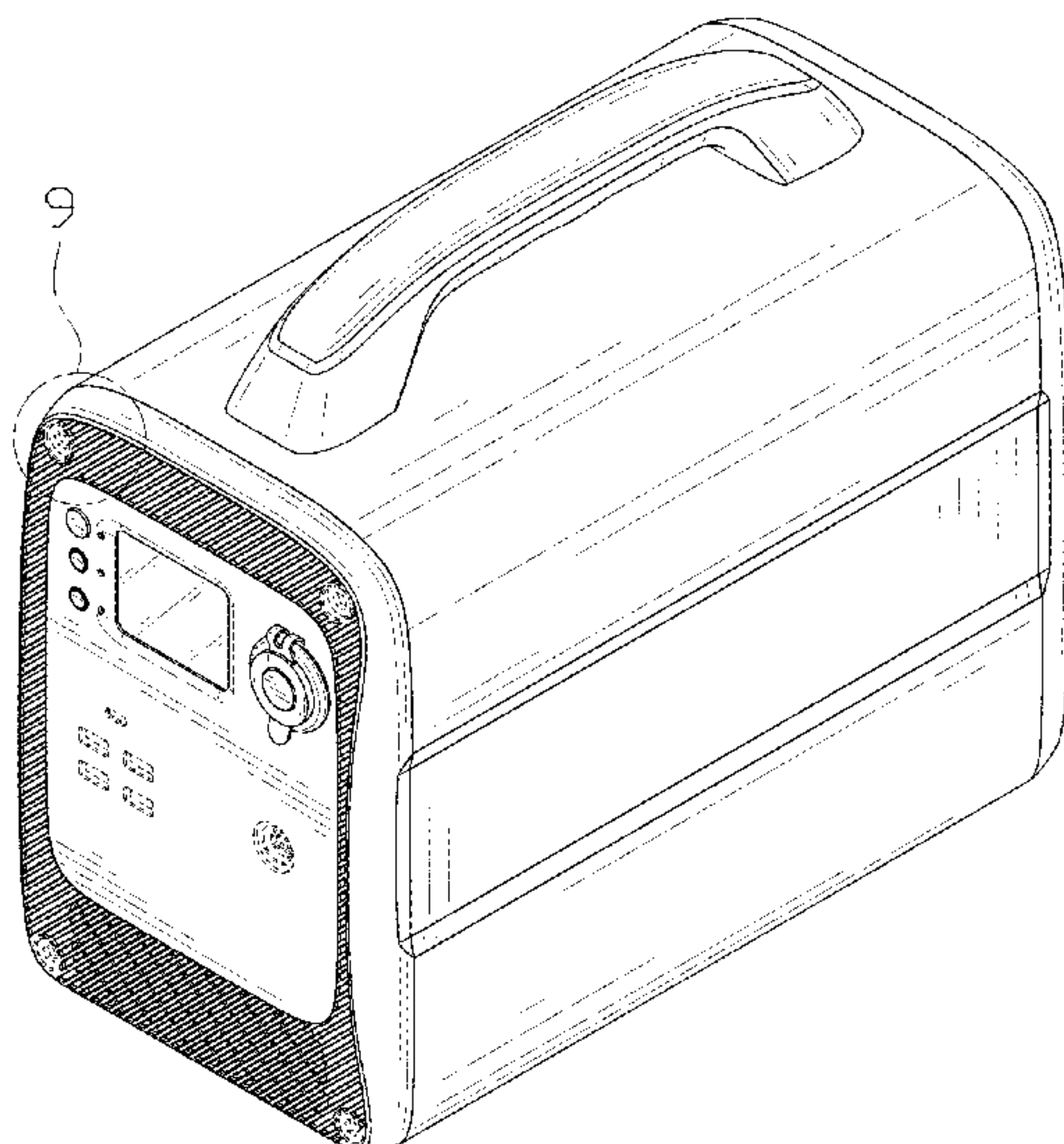
FIG. 10 is an enlarged view of the area “10” shown in FIG. 2; and,

FIG. 11 is an enlarged view of the area “11” shown in FIG. 8.

The broken lines depict portions of the portable power supply in which the design is embodied that form no part of the claimed design.

The shade lines in the figures show contour and not surface ornamentation.

**1 Claim, 11 Drawing Sheets**



(58) **Field of Classification Search**

USPC ... D13/102, 119, 137.1, 137.3, 137.4, 138.1,  
 D13/138.2, 139.1, 139.2, 139.3, 139.6,  
 D13/139.7, 152, 162, 164, 184; D14/432,  
 D14/433, 434, 372  
 CPC .... H02J 2310/48; H02J 7/0027; H01R 13/20;  
 H01R 13/26; H01R 25/00; H01R 25/003;  
 H01M 10/44; H01M 10/46  
 See application file for complete search history.

(56) **References Cited**

U.S. PATENT DOCUMENTS

|              |    |   |         |       |       |                         |
|--------------|----|---|---------|-------|-------|-------------------------|
| D815,039     | S  | * | 4/2018  | Wen   | ..... | D13/110                 |
| D872,018     | S  | * | 1/2020  | Dong  | ..... | D13/110                 |
| D874,397     | S  | * | 2/2020  | Sun   | ..... | D13/107                 |
| D874,398     | S  | * | 2/2020  | Sun   | ..... | D13/107                 |
| D877,062     | S  | * | 3/2020  | Yin   | ..... | D13/102                 |
| D883,206     | S  | * | 5/2020  | Bai   | ..... | D13/110                 |
| D902,857     | S  | * | 11/2020 | Jia   | ..... | D13/110                 |
| 2014/0376186 | A1 | * | 12/2014 | Sigl  | ..... | H05K 7/20172<br>361/695 |
| 2016/0153626 | A1 | * | 6/2016  | Ozaka | ..... | H02J 7/342<br>362/86    |

FOREIGN PATENT DOCUMENTS

|    |           |   |         |
|----|-----------|---|---------|
| CN | 306289204 | * | 1/2021  |
| JP | D1672156  | * | 11/2020 |

OTHER PUBLICATIONS

“Energizer Portable Power Station 320Wh/300W Solar Generator Fast Charging by LiFePO4 Batteries, Multiple Charging Ports and LED Flashlight, Emergency Power Supply for Indoor/Outdoor/ Camping/Clamping”, first available Feb. 2, 2021. Amazon.com [https://www.amazon.com/Energizer-Generator-Batteries-Flashlight-Emergency/dp/B0978LC595/ref=sr\_1\_19?dchild=1&keywords=Energy+Storage+D%E2%80%A6] (Year: 2021).\*

“Jackery Portable Power Station Explorer 160, 167Wh Lithium Battery Solar Generator (Solar Panel Optional) Backup Power Supply with 110V/100W(Peak 150W) AC Outlet for Outdoors Camping Fishing Emergency”, first available Sep. 13, 2021. Amazon.com [https://www.amazon.com/Jackery-Portable-Generator-Explorer-Emergency/dp/B07FYJVFNK/ref=asc\_df\_B07FYJVFNK/?tag=hyprod-20&linkCode=df%E2%80%A6] (Year: 2021).\*

\* cited by examiner



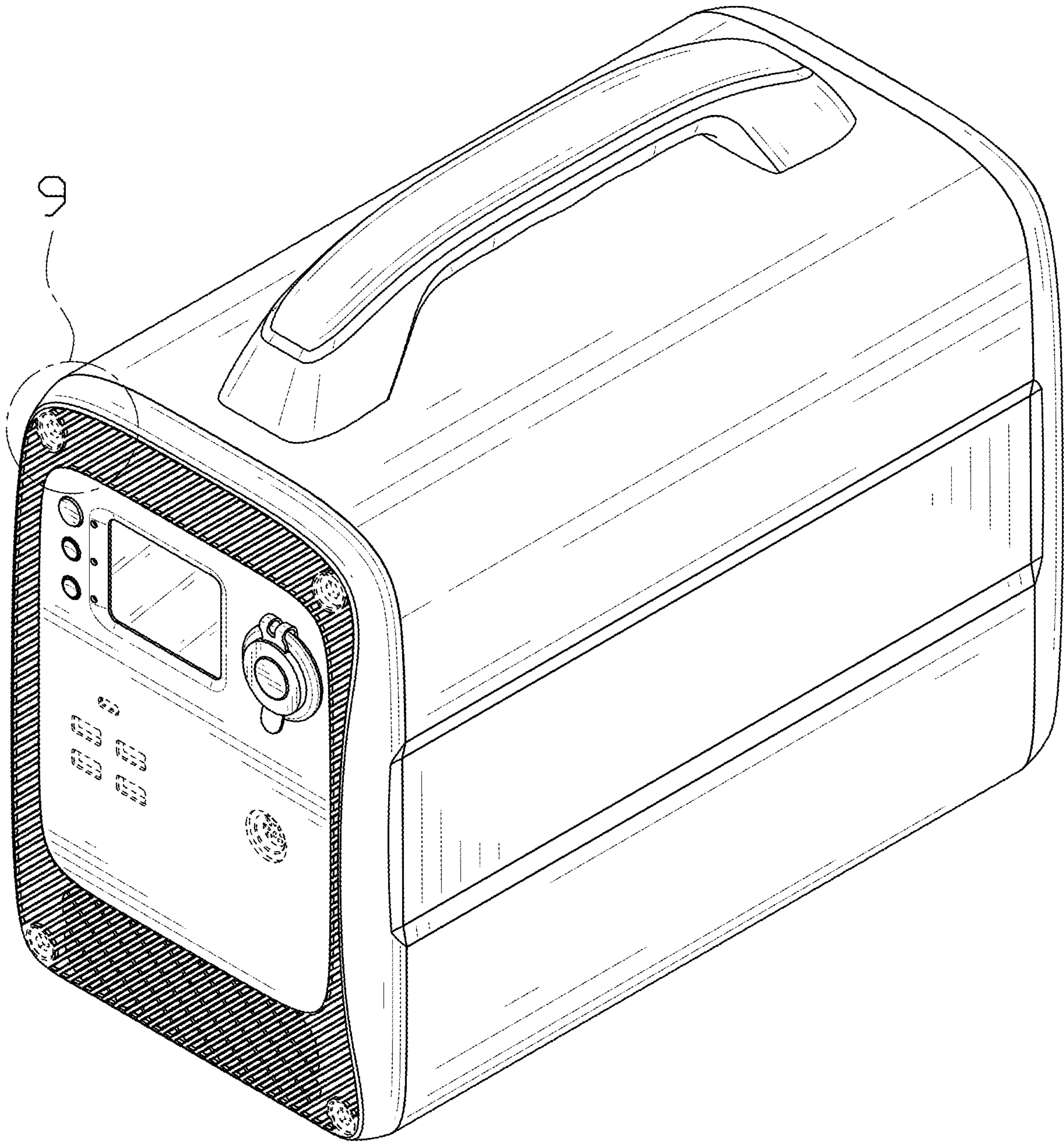


FIG. 1

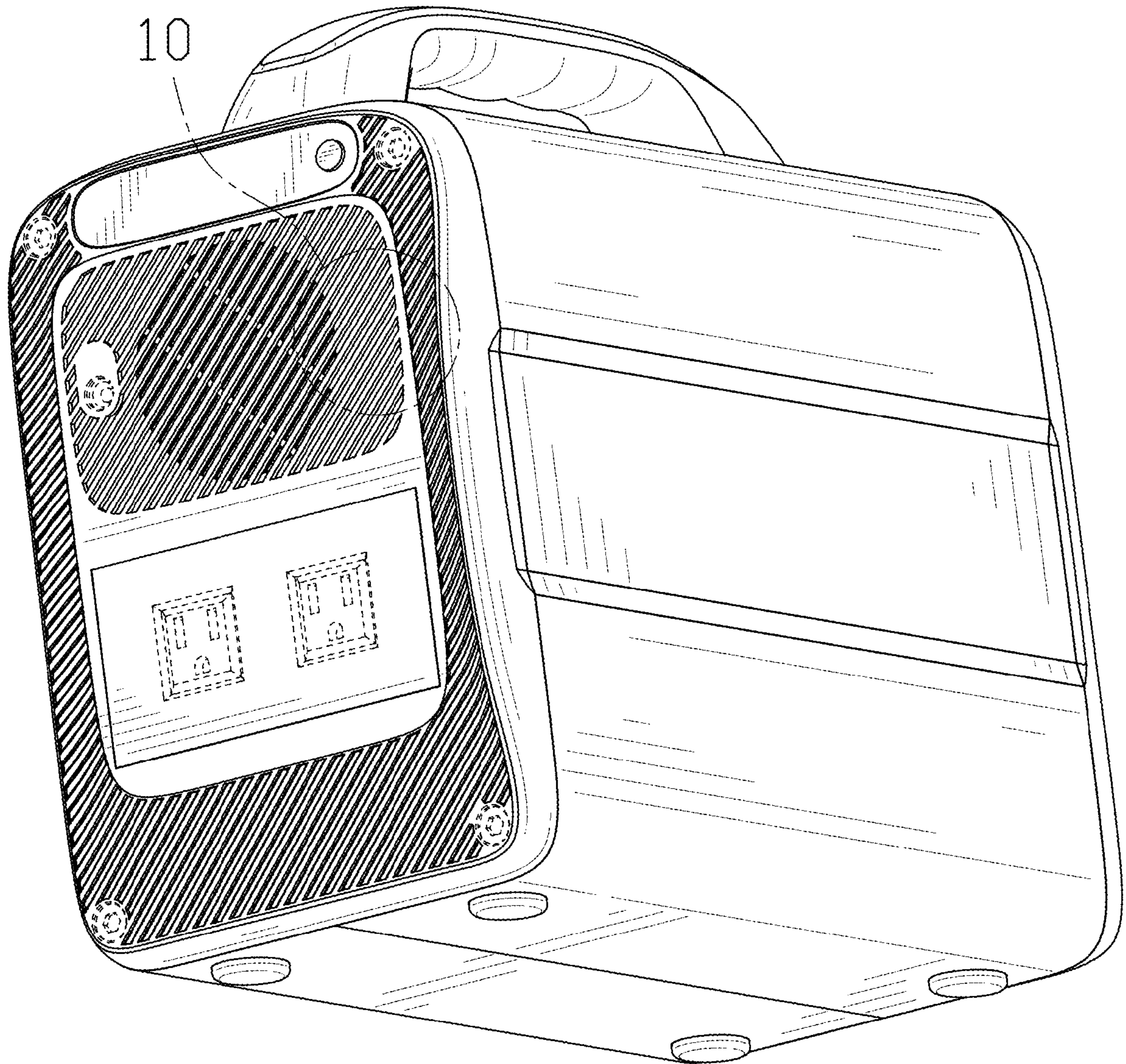


FIG. 2

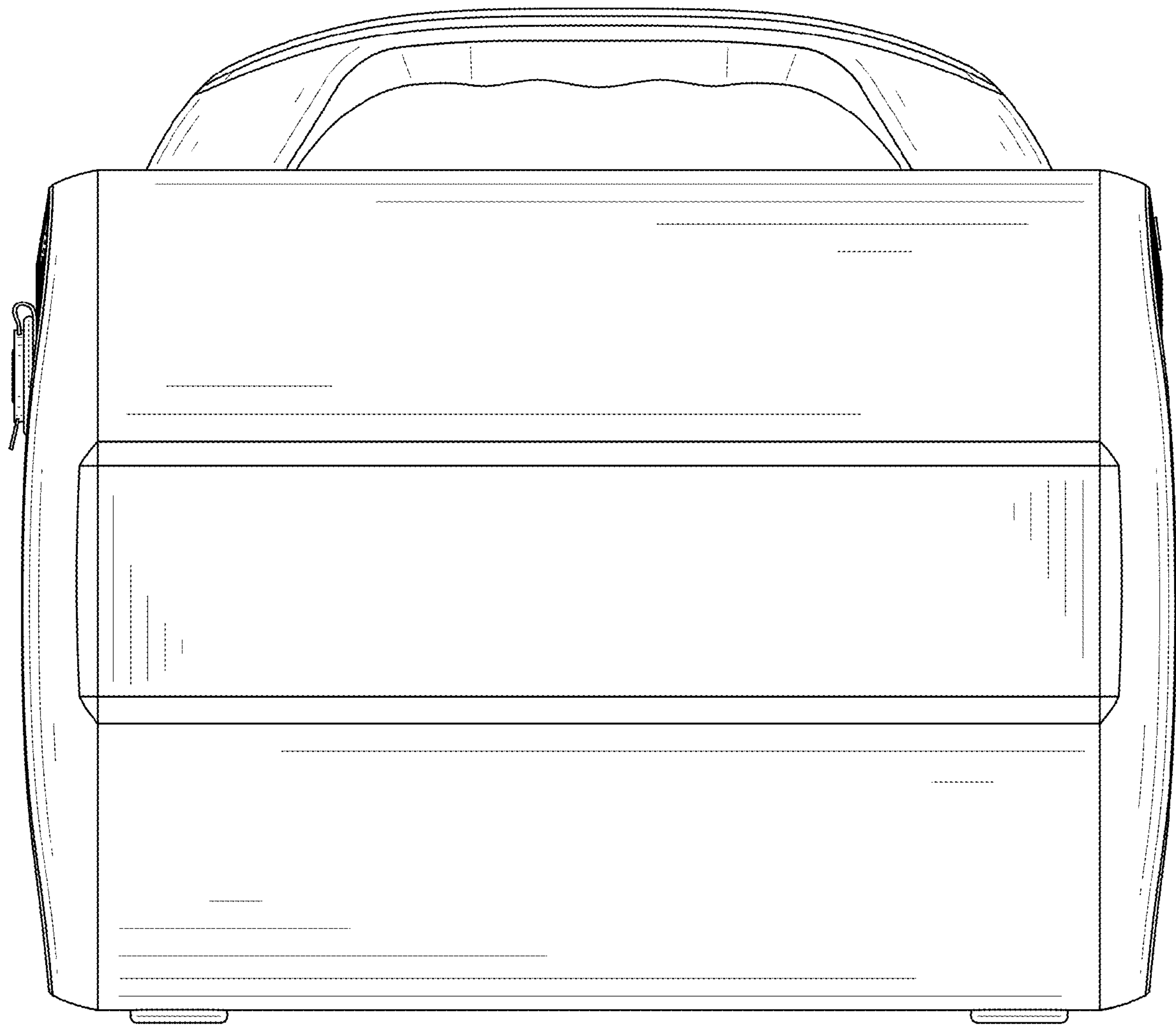


FIG. 3



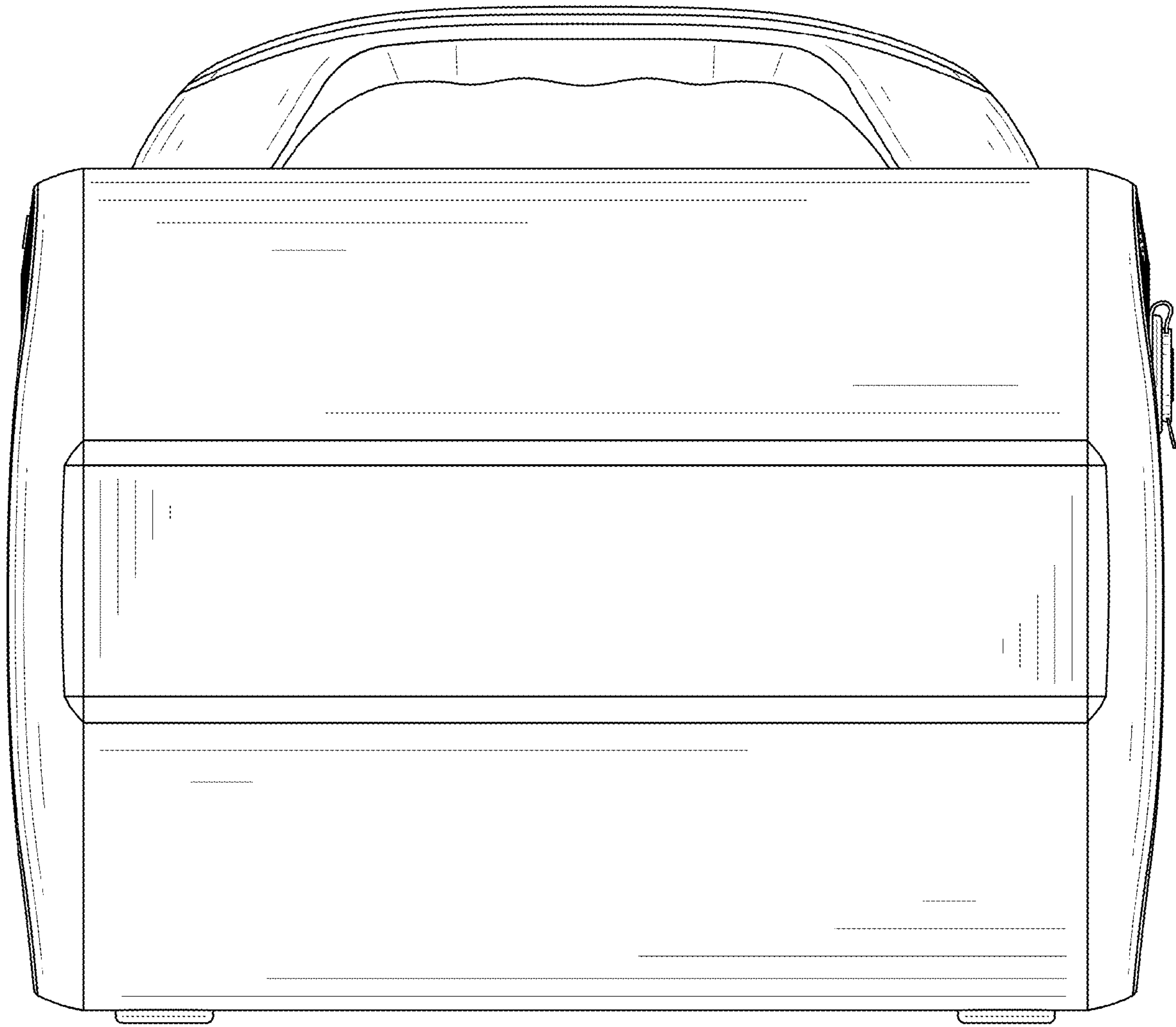


FIG. 4

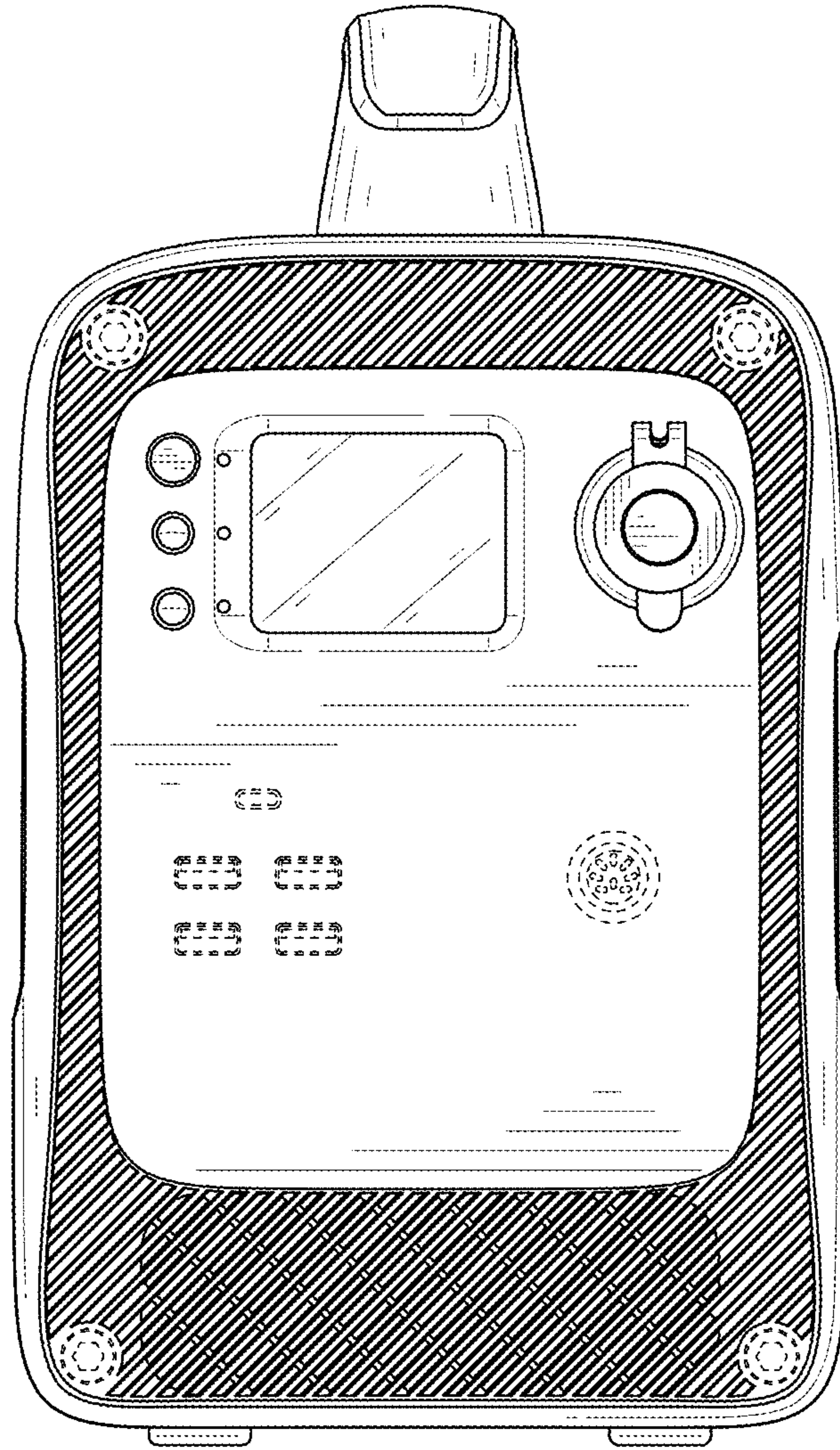


FIG. 5

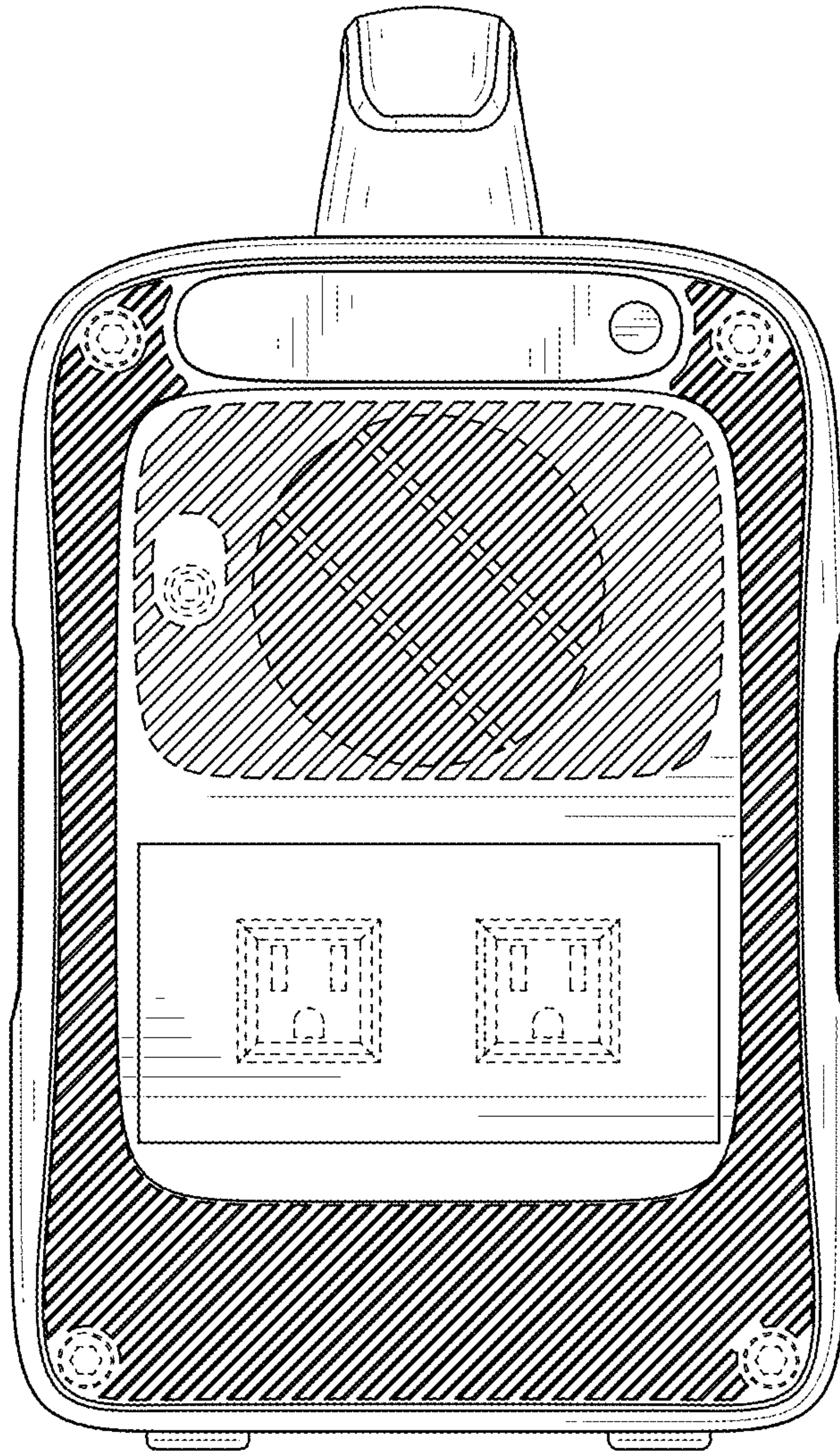


FIG. 6



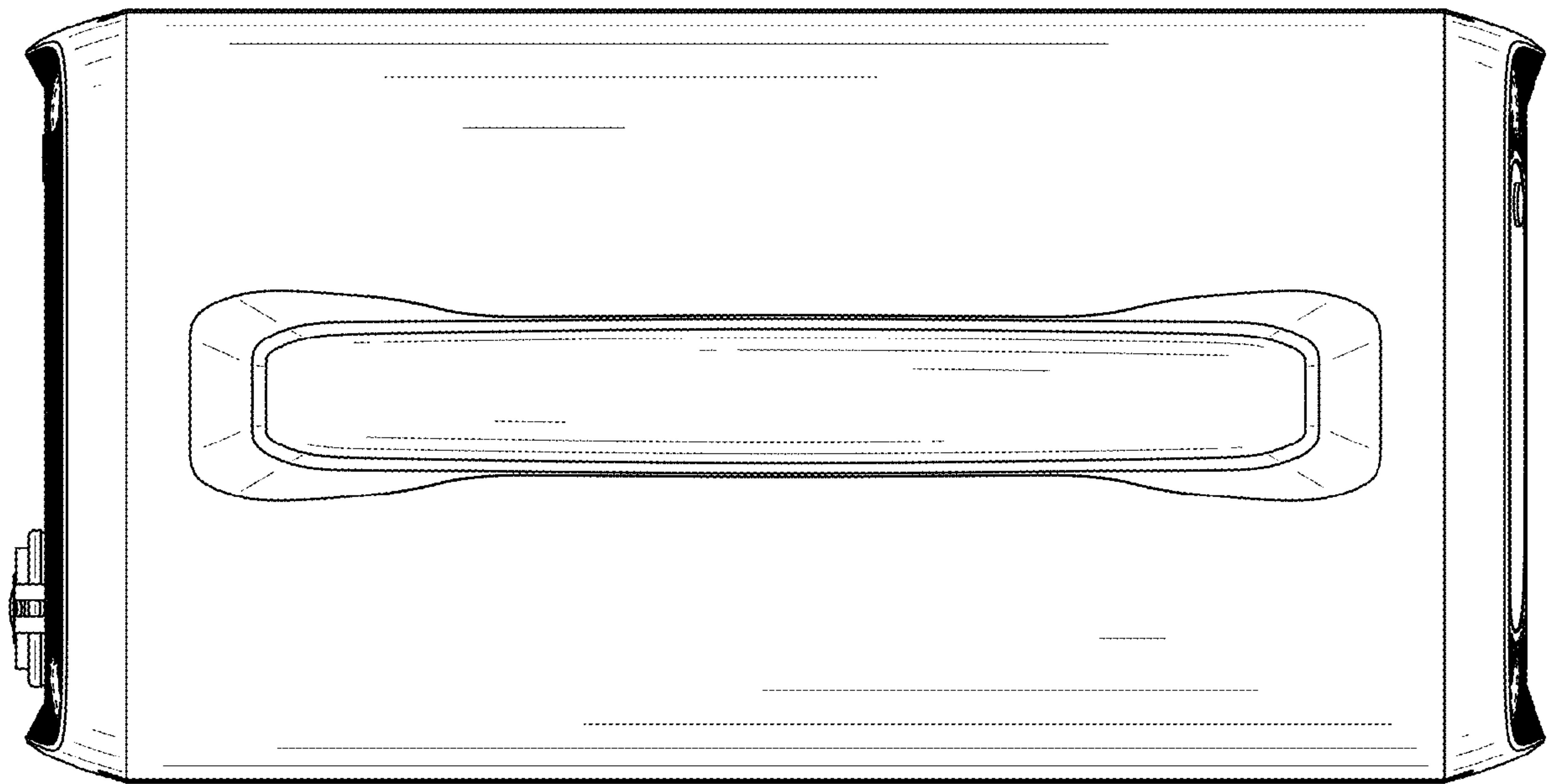


FIG. 7

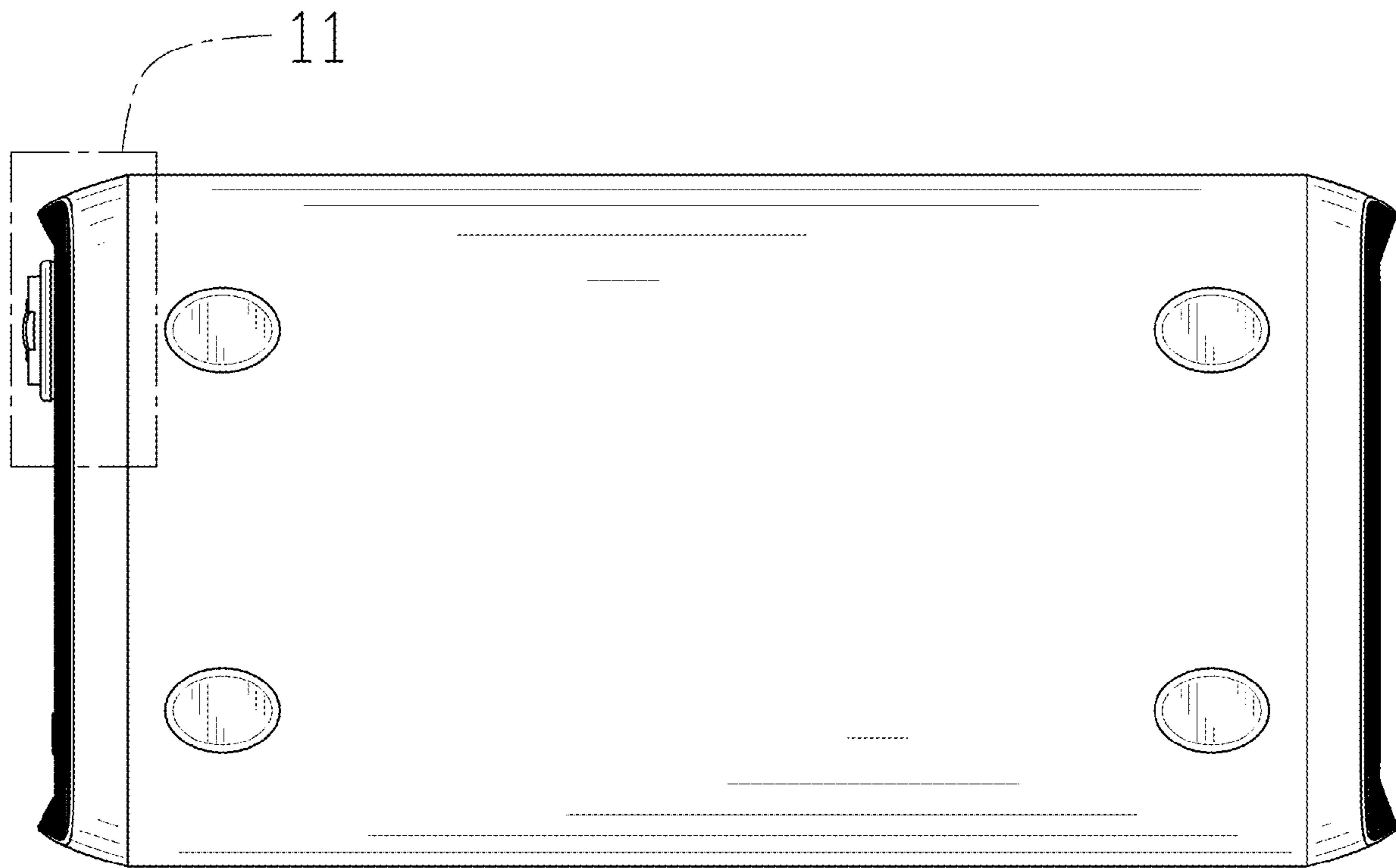


FIG. 8

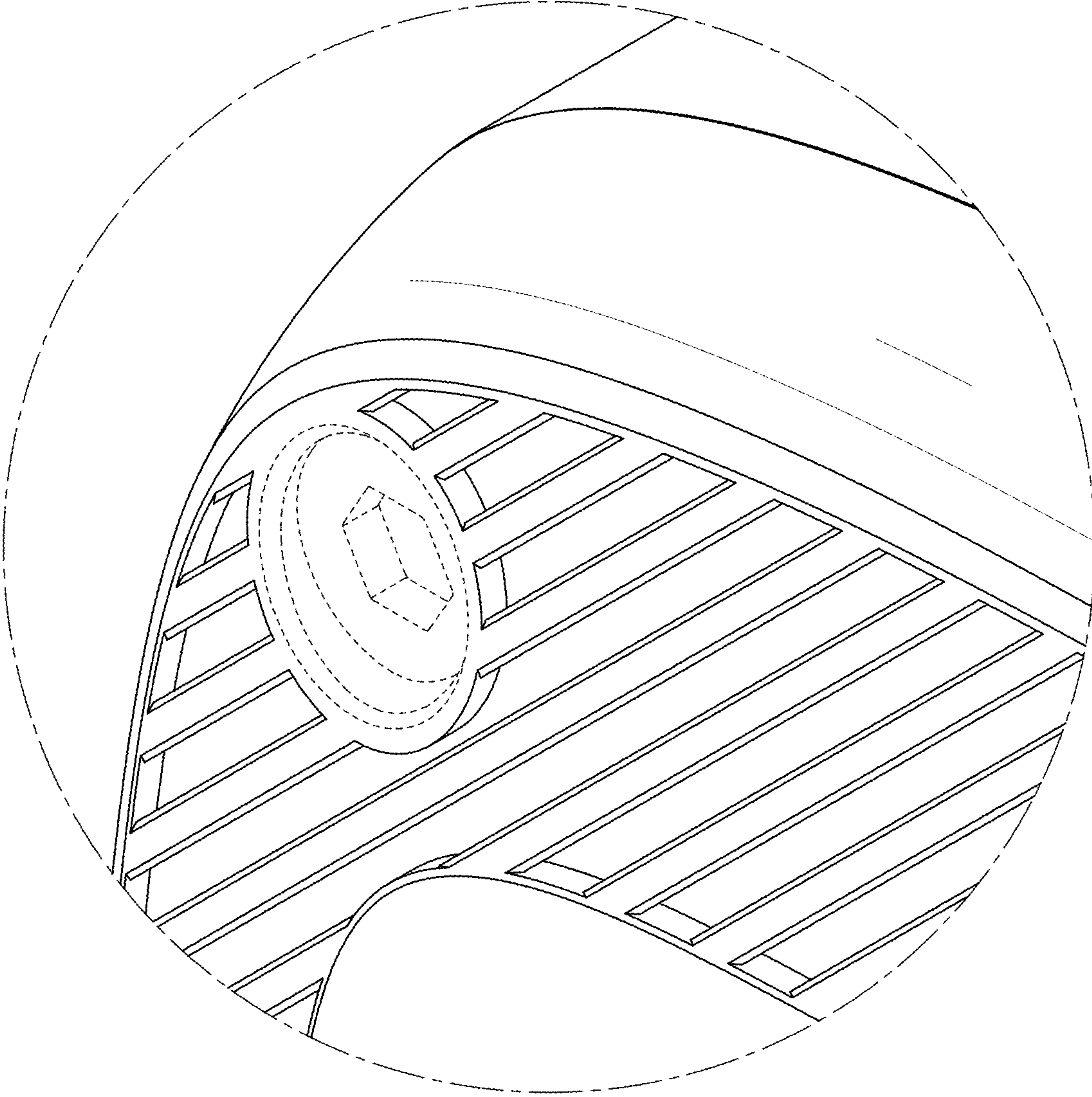


FIG. 9



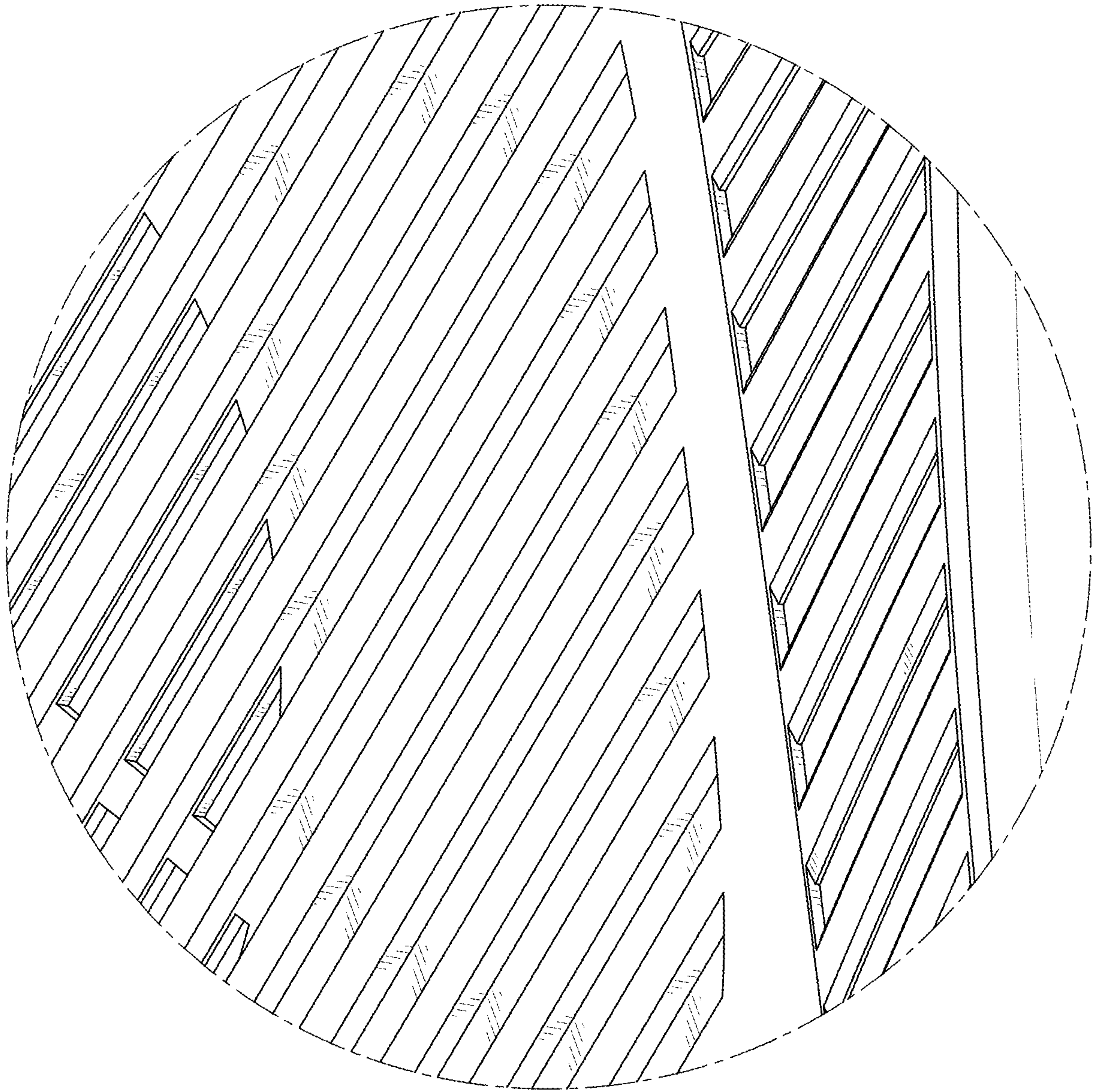


FIG. 10

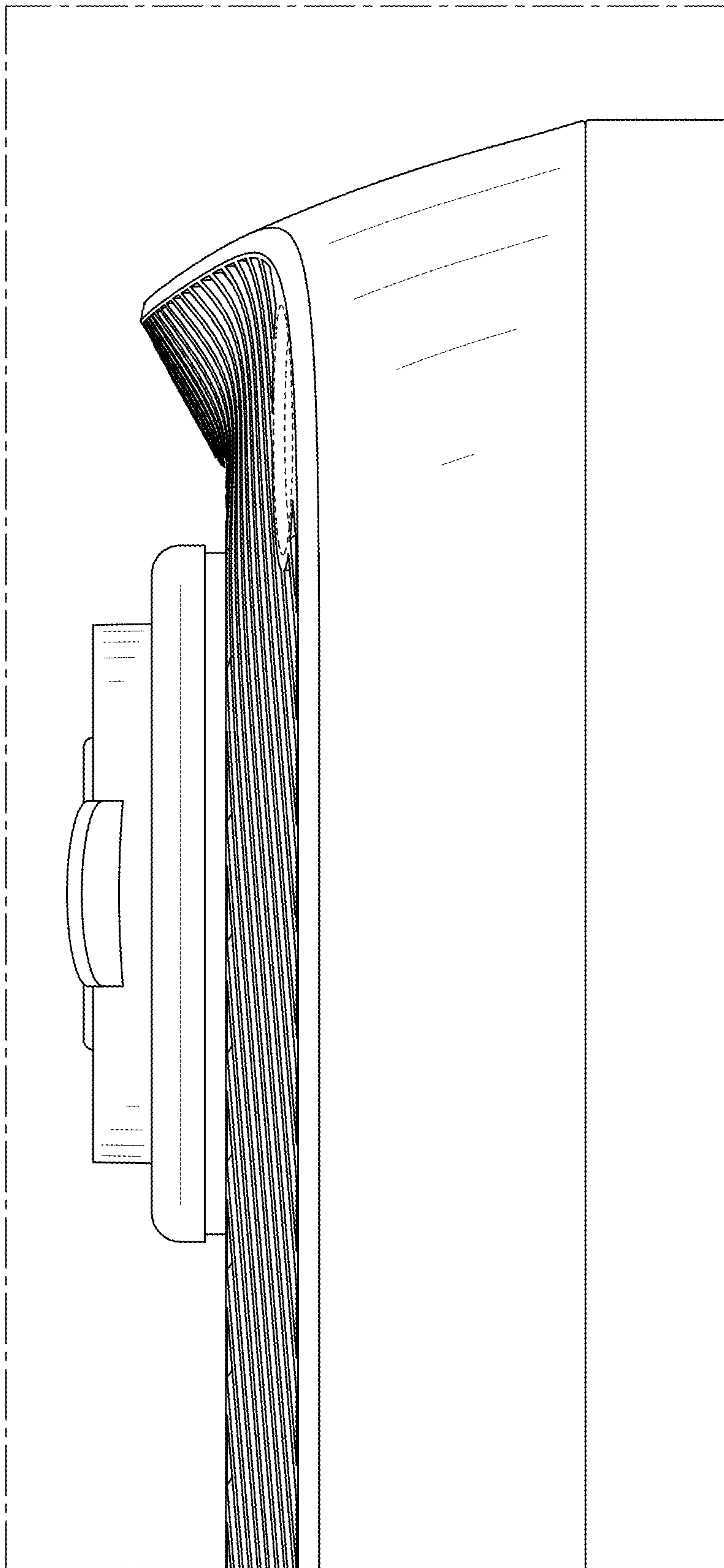


FIG. 11