



US00D942390S

(12) **United States Design Patent**  
**Zhang**

(10) **Patent No.:** **US D942,390 S**

(45) **Date of Patent:** **\*\* Feb. 1, 2022**

(54) **CHARGING CASE**

(71) Applicant: **Yifeng Zhang**, Guangdong (CN)

(72) Inventor: **Yifeng Zhang**, Guangdong (CN)

(73) Assignee: **Shenzhen Moldull Acoustic Technology Co., Ltd.**, Guangdong (CN)

(\*\*) Term: **15 Years**

(21) Appl. No.: **29/786,275**

(22) Filed: **May 31, 2021**

(30) **Foreign Application Priority Data**

Feb. 4, 2021 (CN) ..... 202130081198.1

(51) **LOC (13) Cl.** ..... **13-02**

(52) **U.S. Cl.**  
USPC ..... **D13/108; D3/294**

(58) **Field of Classification Search**

USPC ..... D13/107–110, 118–119, 184, 199;  
D14/251, 253, 432, 434, 223, 205;  
D24/174; D3/208, 218, 273, 274, 294  
CPC ..... H02J 7/025; H02J 7/005; H02J 7/0026;  
H02J 7/0042; H02J 7/0044; H02J 7/0045;  
H02J 7/0013; H02J 7/0003; H02J 7/02;  
H02J 50/10; H02J 50/12; A45C  
2011/001; A45C 2011/002; A45C  
2011/003; H04R 1/1025; H04R 1/1016  
See application file for complete search history.

(56) **References Cited**

**U.S. PATENT DOCUMENTS**

D708,850 S \* 7/2014 Morine ..... D3/294  
D853,116 S \* 7/2019 Bergman ..... D3/294

D883,669 S \* 5/2020 Sakai ..... D3/294  
D894,123 S \* 8/2020 Xiong ..... D13/108  
D899,089 S \* 10/2020 Yu ..... D3/297  
D904,762 S \* 12/2020 Koneru ..... D3/274  
D904,764 S \* 12/2020 Koneru ..... D3/294  
D909,753 S \* 2/2021 Lalvani ..... D3/295  
D911,945 S \* 3/2021 Xian ..... D13/108  
D912,623 S \* 3/2021 Zhou ..... D13/108  
D913,224 S \* 3/2021 Kim ..... D13/108  
D923,608 S \* 6/2021 Adams ..... D14/223  
D928,123 S \* 8/2021 Gao ..... D14/223  
D931,207 S \* 9/2021 Briggs ..... D13/108

\* cited by examiner

*Primary Examiner* — Rosemary K Tarcza

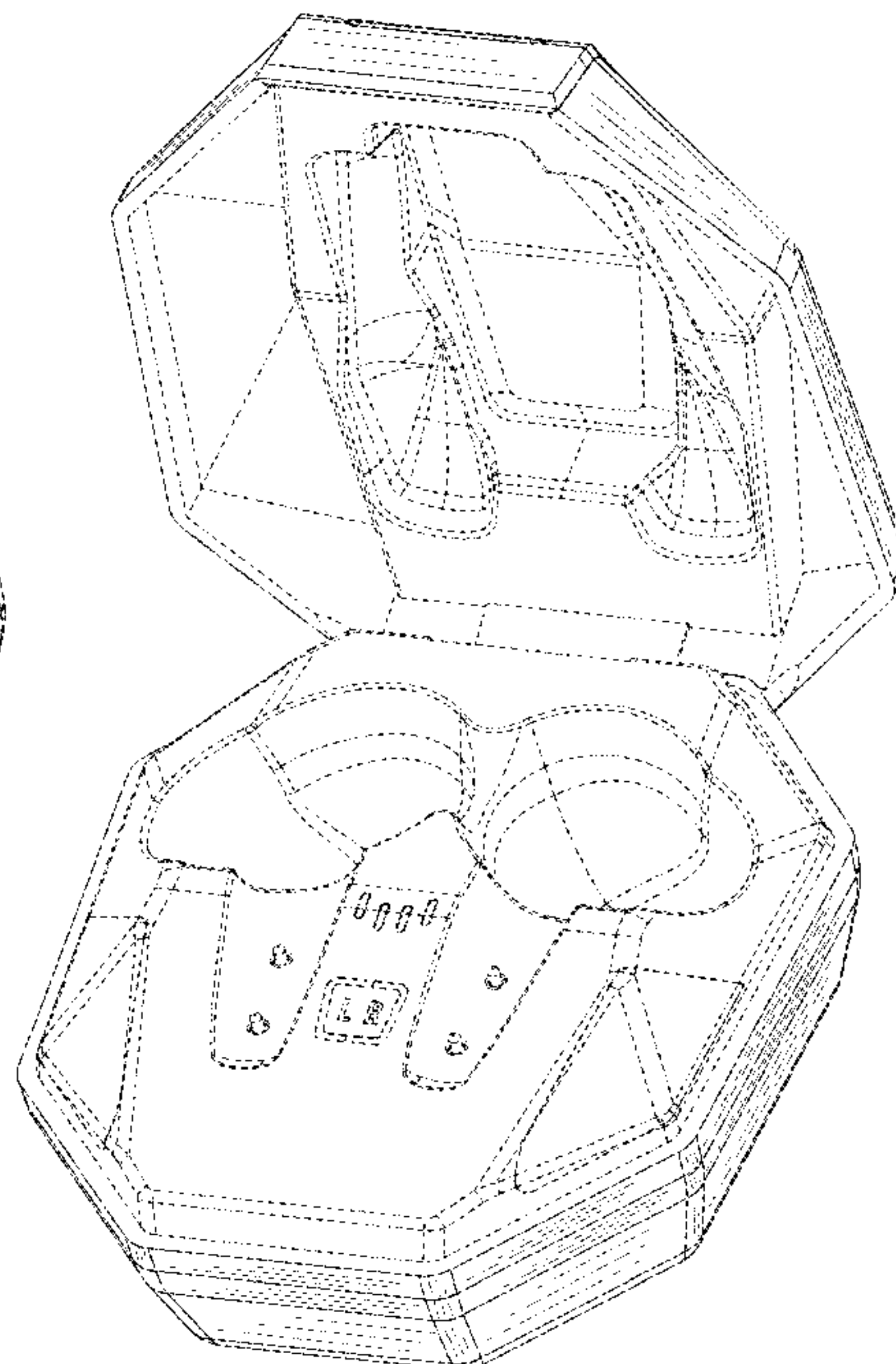
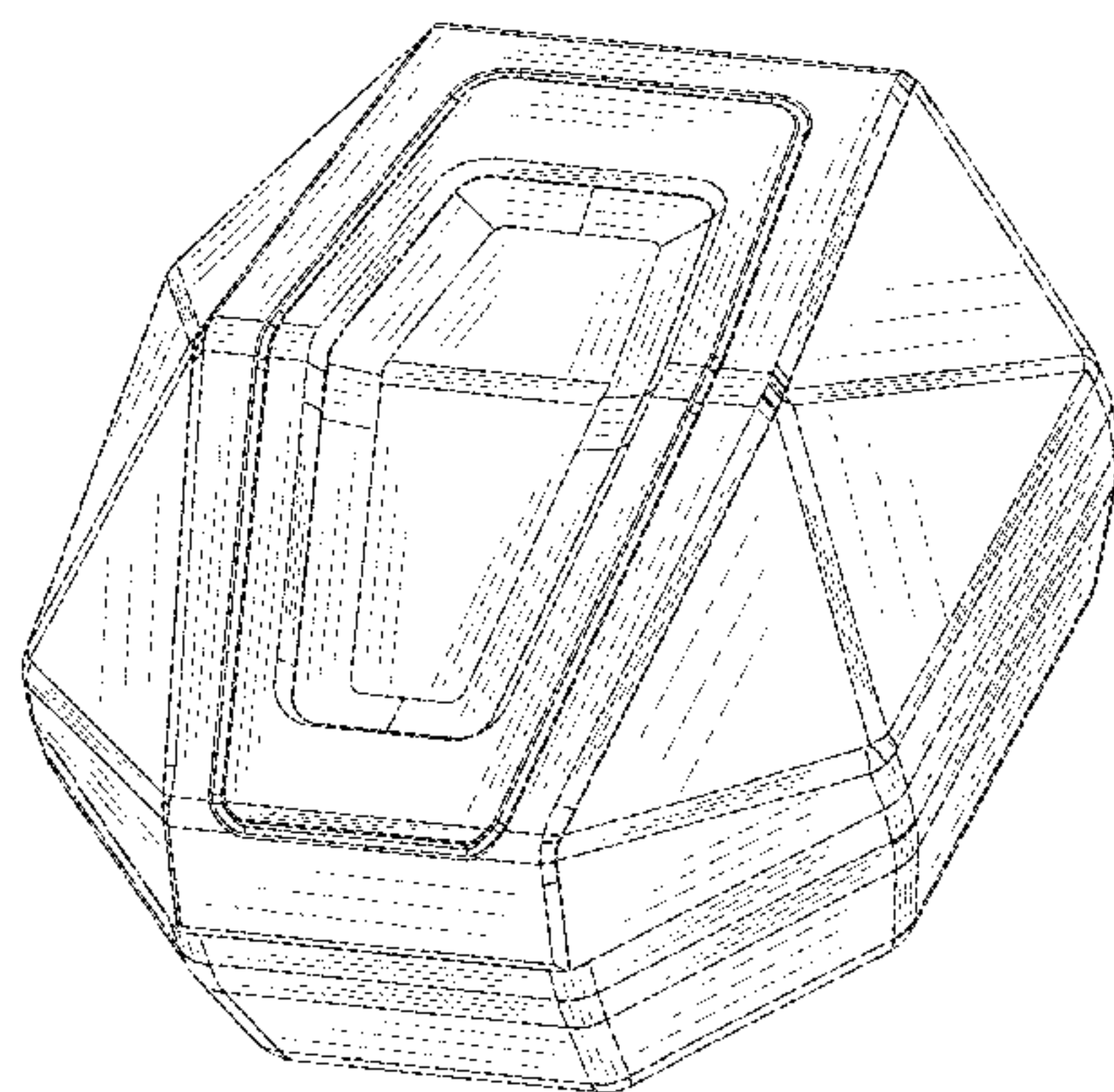
(57) **CLAIM**

The ornamental design for a charging case, as shown and described.

**DESCRIPTION**

FIG. 1 is a perspective view of a charging case showing my new design;  
FIG. 2 is a front elevation view thereof;  
FIG. 3 is a rear elevation view thereof;  
FIG. 4 is a left side elevation view thereof;  
FIG. 5 is a right side elevation view thereof;  
FIG. 6 is a top plan view thereof;  
FIG. 7 is a bottom plan view thereof; and,  
FIG. 8 is a perspective view thereof shown the opened state. The broken lines in the drawings depict portions of the charging case that form no part of the claimed design.

**1 Claim, 8 Drawing Sheets**



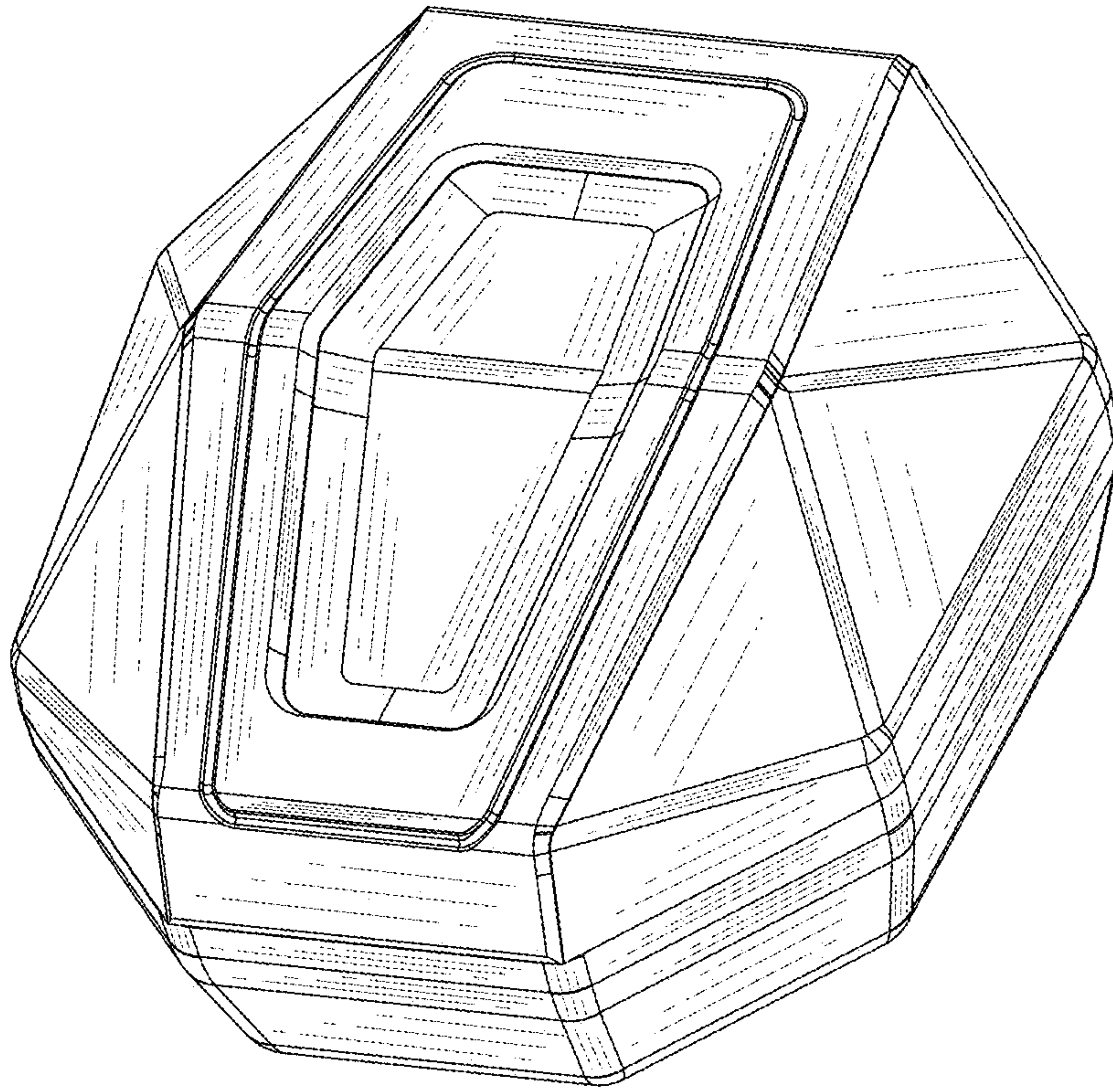


FIG. 1

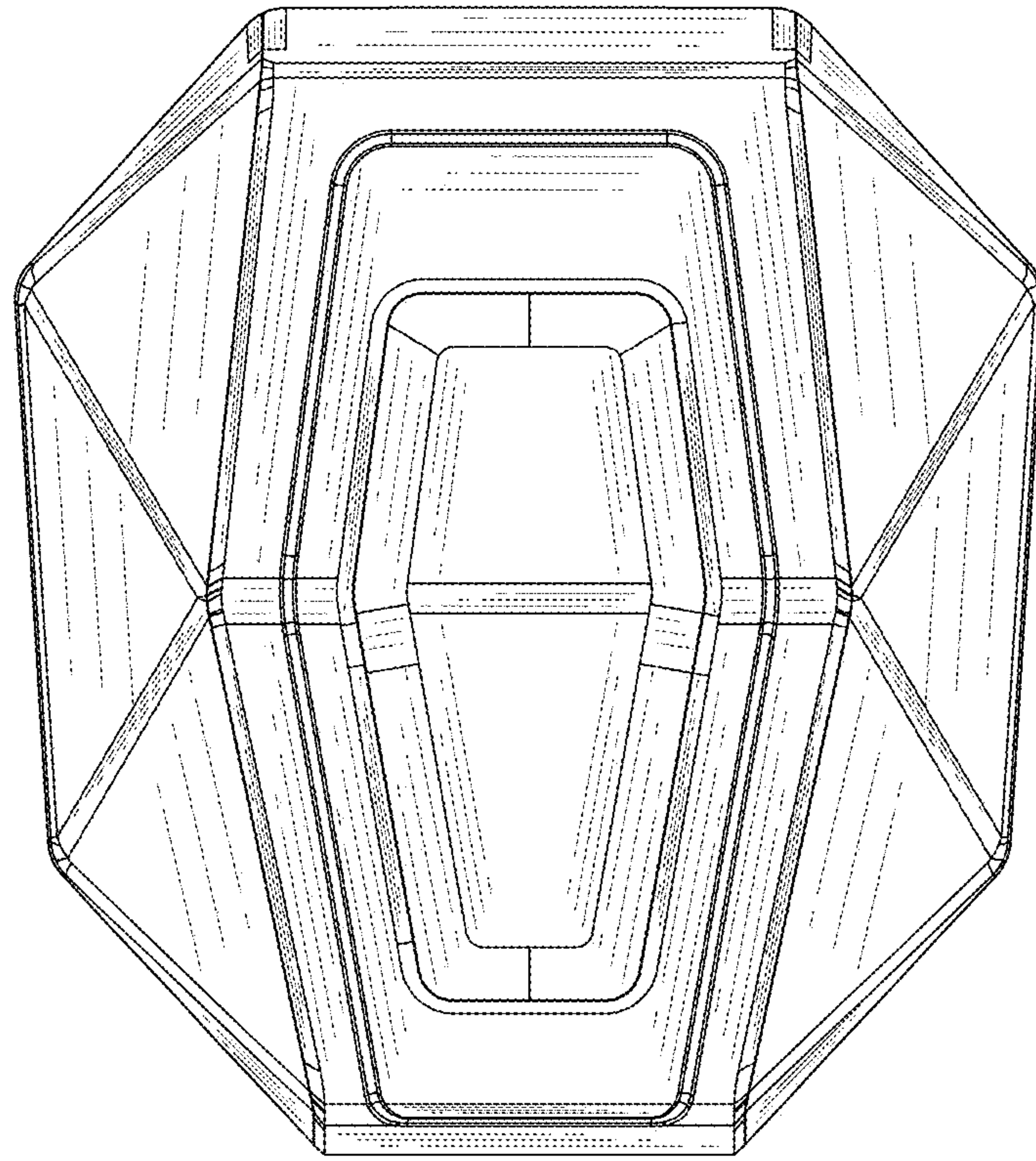


FIG. 2



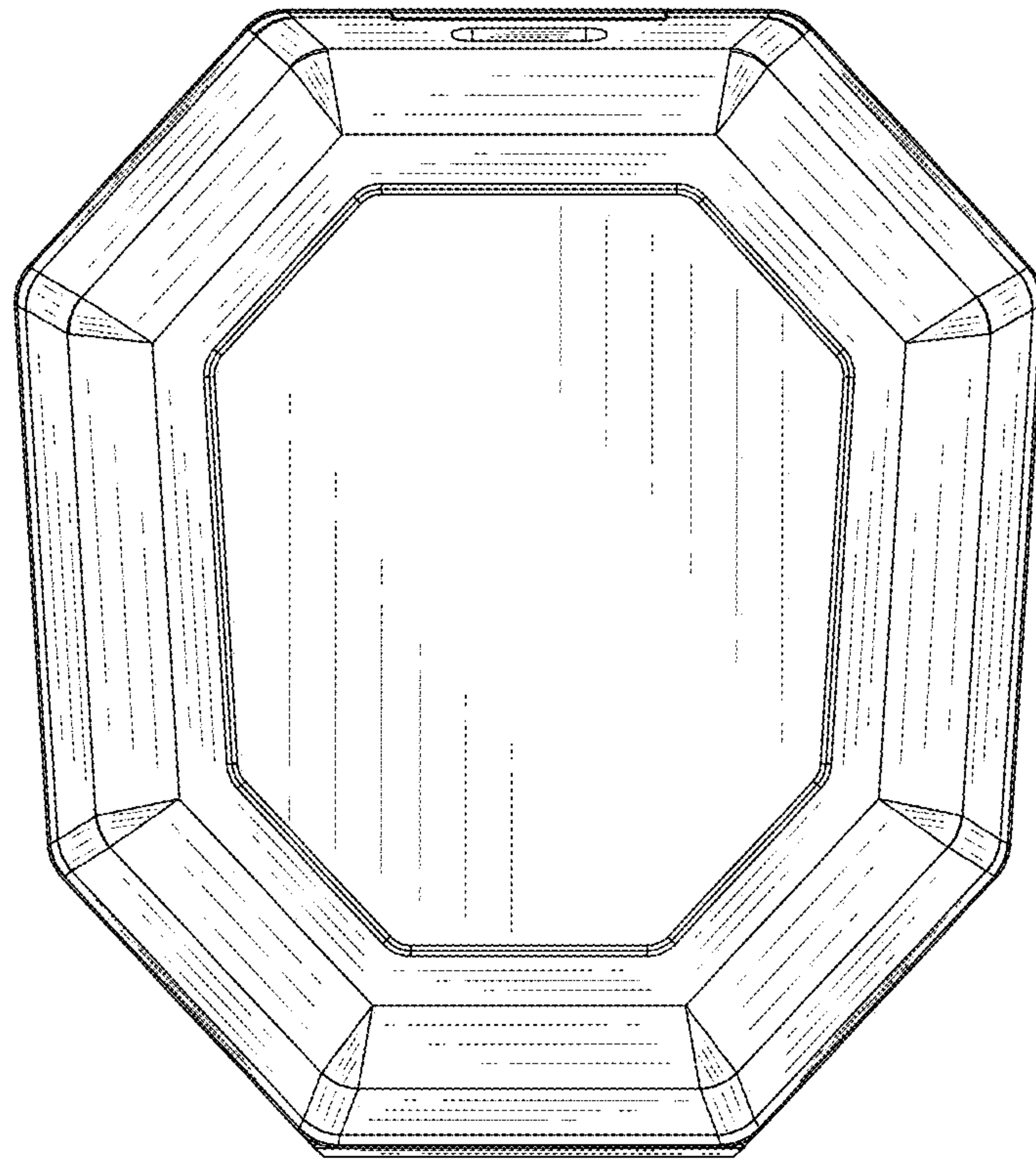


FIG. 3

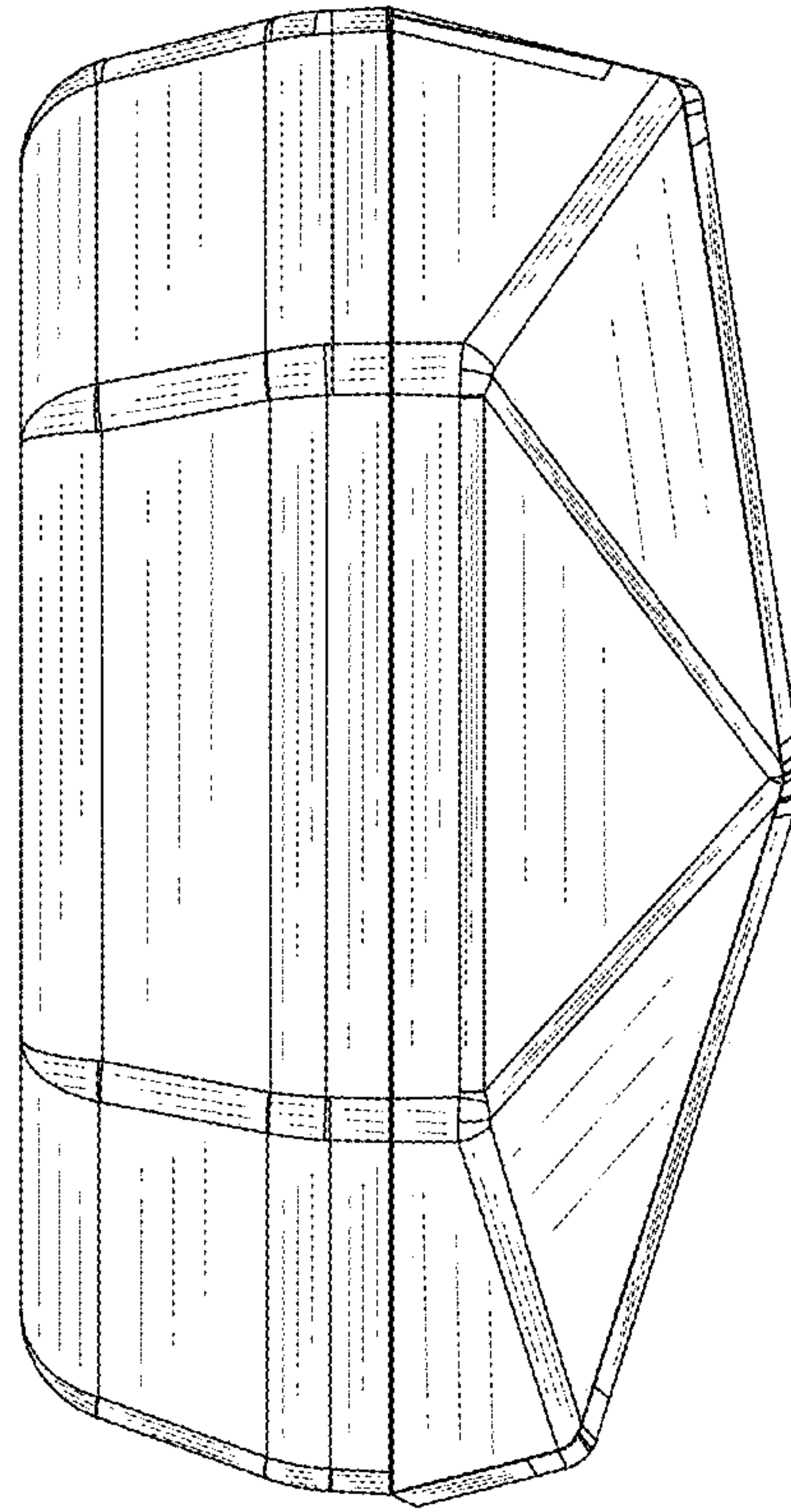


FIG. 4

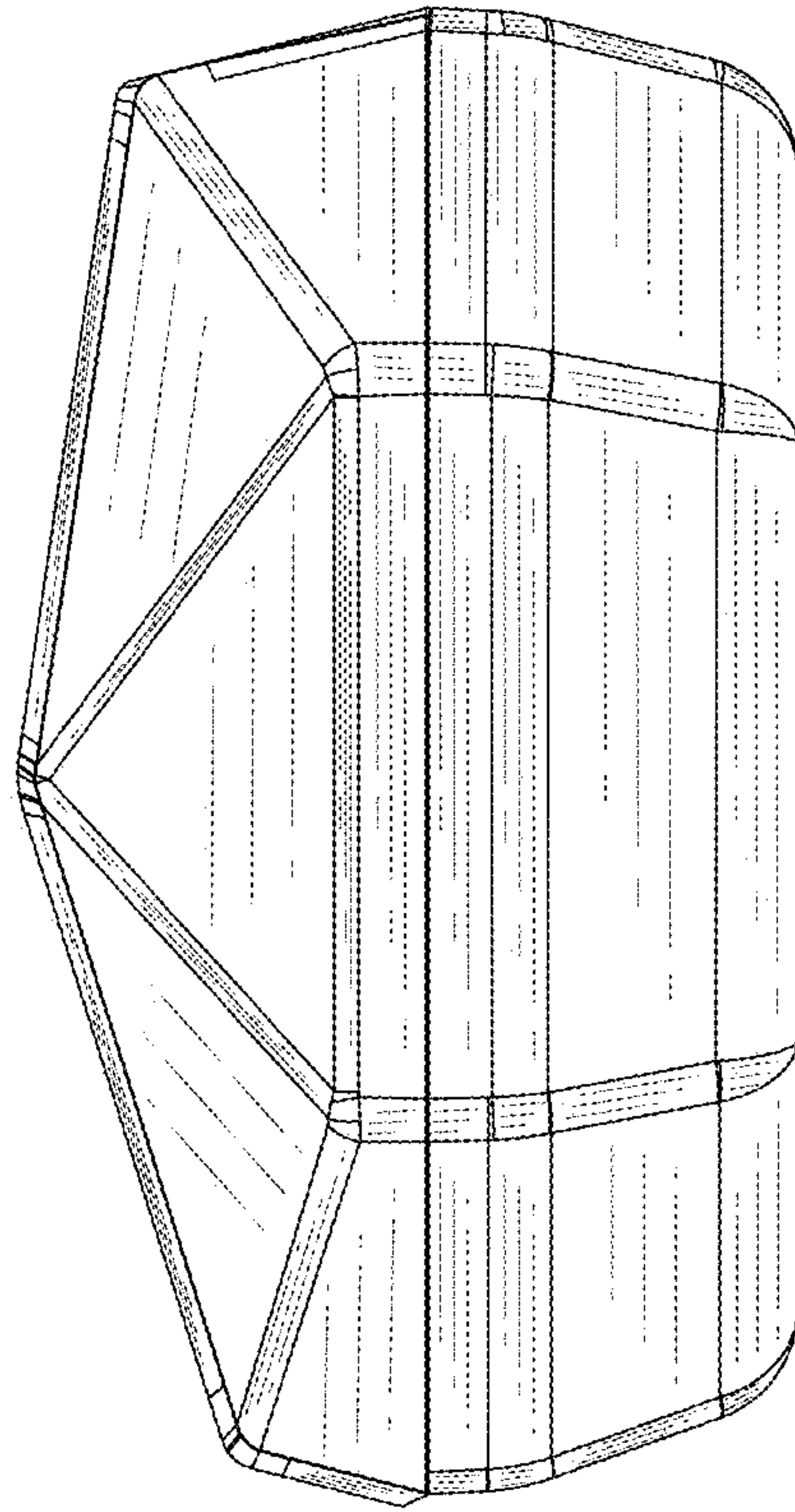


FIG. 5

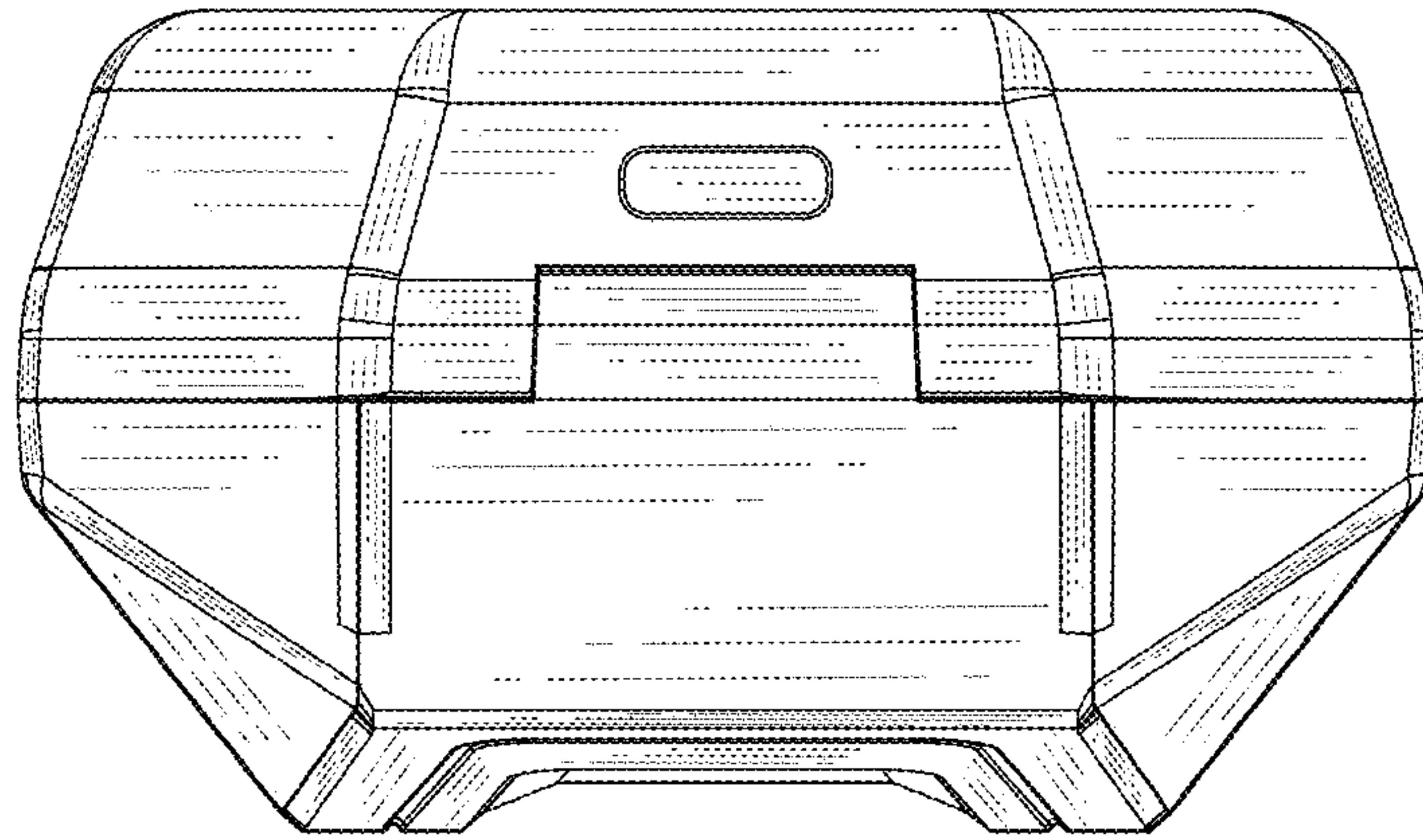


FIG. 6

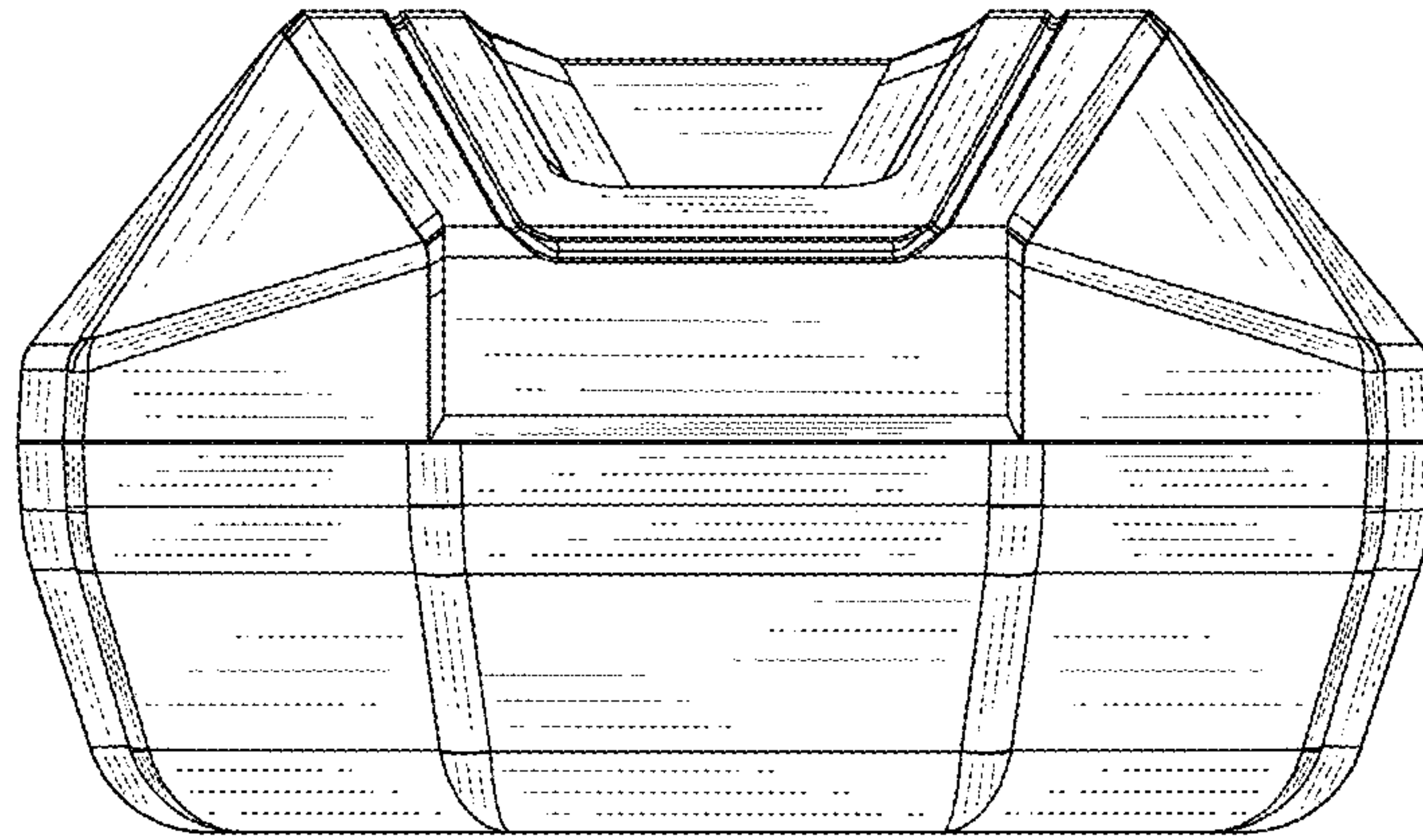


FIG. 7



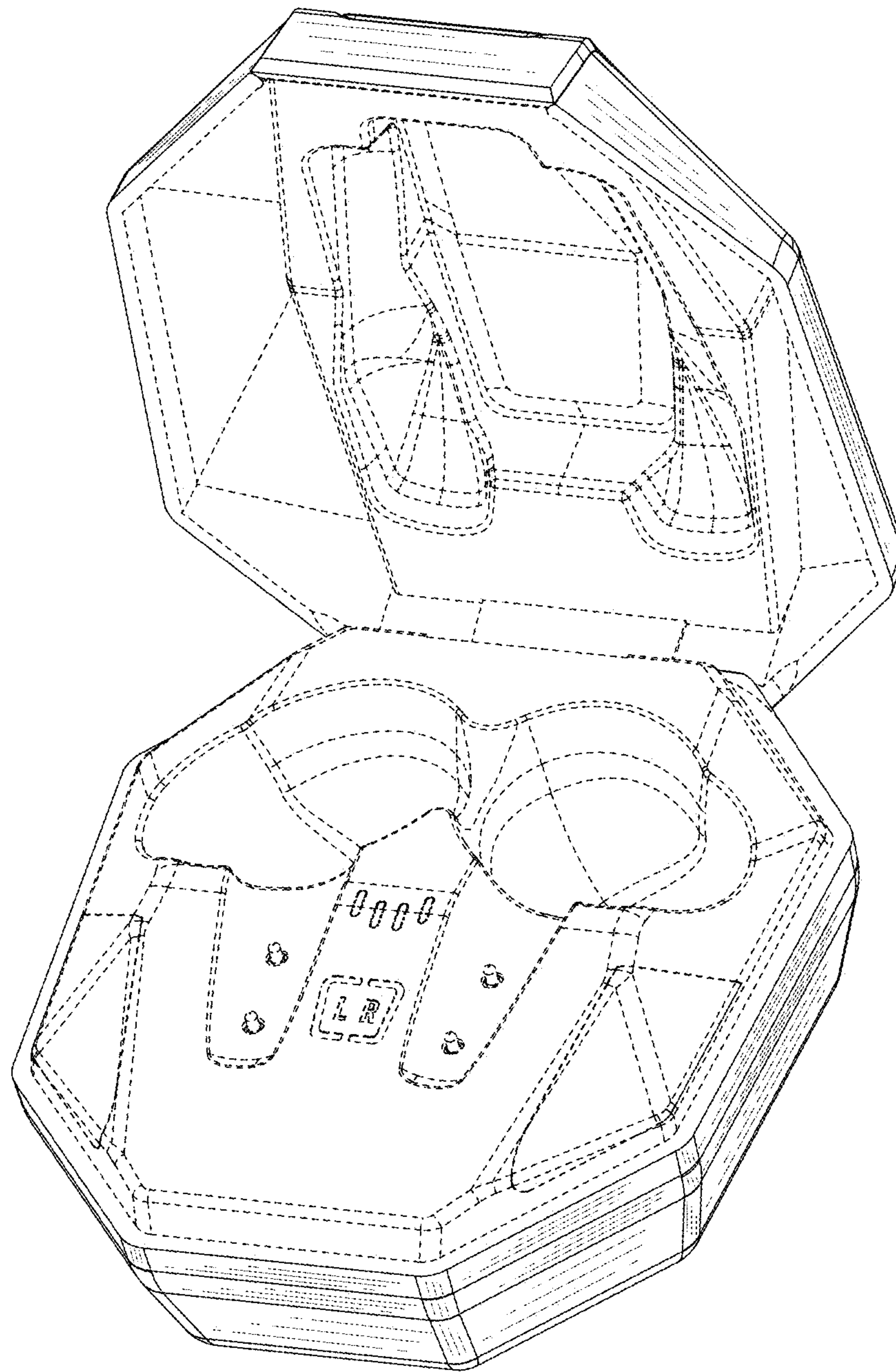


FIG. 8