



US00D942389S

(12) **United States Design Patent**
Sun

(10) **Patent No.:** **US D942,389 S**
(45) **Date of Patent:** **** Feb. 1, 2022**

(54) **WIRELESS CHARGER**

(71) Applicant: **SHENZHEN XINZHAOYI TECHNOLOGY CO., LTD.**, Shenzhen (CN)

(72) Inventor: **Zhaoqiang Sun**, Shifang (CN)

(73) Assignee: **SHENZHEN XINZHAOYI TECHNOLOGY CO., LTD.**, Shenzhen (CN)

(**) Term: **15 Years**

(21) Appl. No.: **29/774,111**

(22) Filed: **Mar. 15, 2021**

(51) **LOC (13) Cl.** **13-02**

(52) **U.S. Cl.**
USPC **D13/108; D14/447**

(58) **Field of Classification Search**
USPC D13/103, 107, 108, 118, 119, 183;
D14/251, 253, 432, 434, 447; D6/682,
D6/682.1, 682.5

CPC H02J 15/00; H02J 7/0044; H04B 1/3877
See application file for complete search history.

(56) **References Cited**

U.S. PATENT DOCUMENTS

D638,406 S *	5/2011	Chiang	D14/224
D733,156 S *	6/2015	Choi	D14/447
D762,650 S *	8/2016	Dang	D14/434
D794,984 S *	8/2017	Green	D6/682.5
9,843,214 B2 *	12/2017	Peek	H02J 7/025
D851,587 S *	6/2019	Schmidt	D13/108
D870,662 S	12/2019	Schubert et al.		
D873,259 S *	1/2020	Lindof	D14/253
D884,622 S *	5/2020	Huang	D13/108
D892,047 S *	8/2020	Peng	D13/108
D902,217 S *	11/2020	Zhang	D14/447

D904,978 S *	12/2020	Liao	D13/108
D911,277 S	2/2021	Shang		
2019/0190283 A1 *	6/2019	Lee	H02J 7/0027
2020/0185952 A1 *	6/2020	Morrow	H02J 7/0027

OTHER PUBLICATIONS

“Intoval Magnetic Wireless Charger”. Found online Dec. 1, 2021 at amazon.com. Reference dated Mar. 23, 2021. Retrieved from https://www.amazon.com/Intoval-Magnetic-Wireless-Replacement-Y5/dp/B08ZSM7KMK/ref=sr_1_18_sspa?th=1. (Year: 2021).*

“Pedora Charger”. Found online Apr. 26, 2021 at behance.net. Reference dated Jan. 28, 2019. Retrieved from <https://www.behance.net/gallery/75493155/Pedora>. (Year: 2019).*

(Continued)

Primary Examiner — Kendra Leslie Hamilton

Assistant Examiner — Amanda Christensen

(57) **CLAIM**

The ornamental design for a wireless charger, as shown and described.

DESCRIPTION

FIG. 1 is a top, front, left side perspective view of a wireless charger, showing my new design open, in a first configuration;

FIG. 2 is a bottom, rear, right side perspective view thereof;

FIG. 3 is a front elevational view thereof;

FIG. 4 is a rear elevational view thereof;

FIG. 5 is a left side elevational view thereof;

FIG. 6 is a right side elevational view thereof;

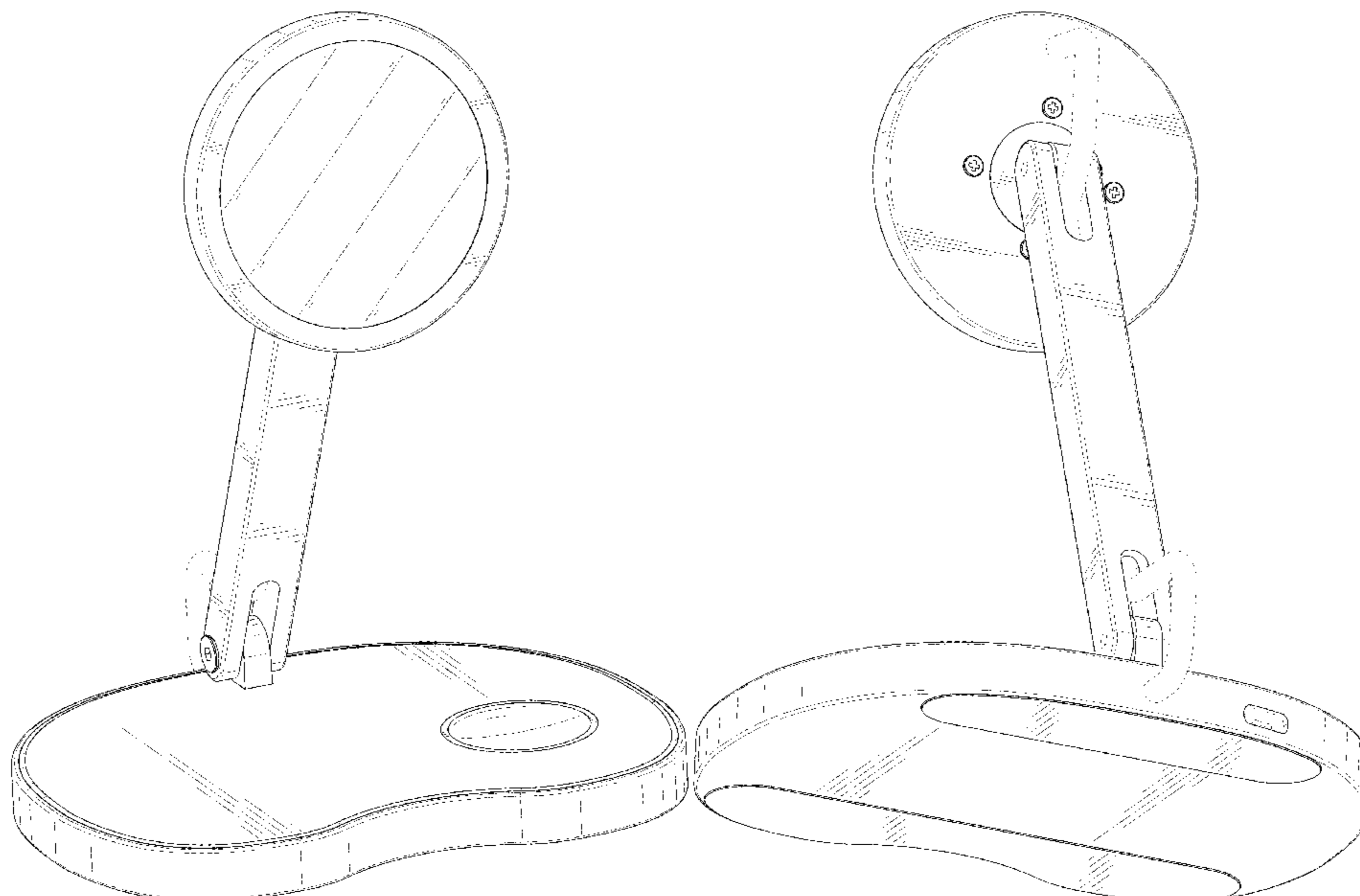
FIG. 7 is a top plan view thereof;

FIG. 8 is a bottom plan view thereof; and,

FIG. 9 is a top, front, left side perspective view of the wireless charger of FIG. 1, shown folded, in a second configuration.

The broken lines in the drawings depict portions of the wireless charger that form no part of the claimed design.

1 Claim, 9 Drawing Sheets



(56)

References Cited

OTHER PUBLICATIONS

“Gopod Wireless Charging Pad”. Found online Feb. 10, 2021 at gopod.cc.com. Reference dated Feb. 10, 2021. Retrieved from http://www.gopod.cc/Wireless_Charger/2020/0822/260.html. (Year: 2021).*

* cited by examiner

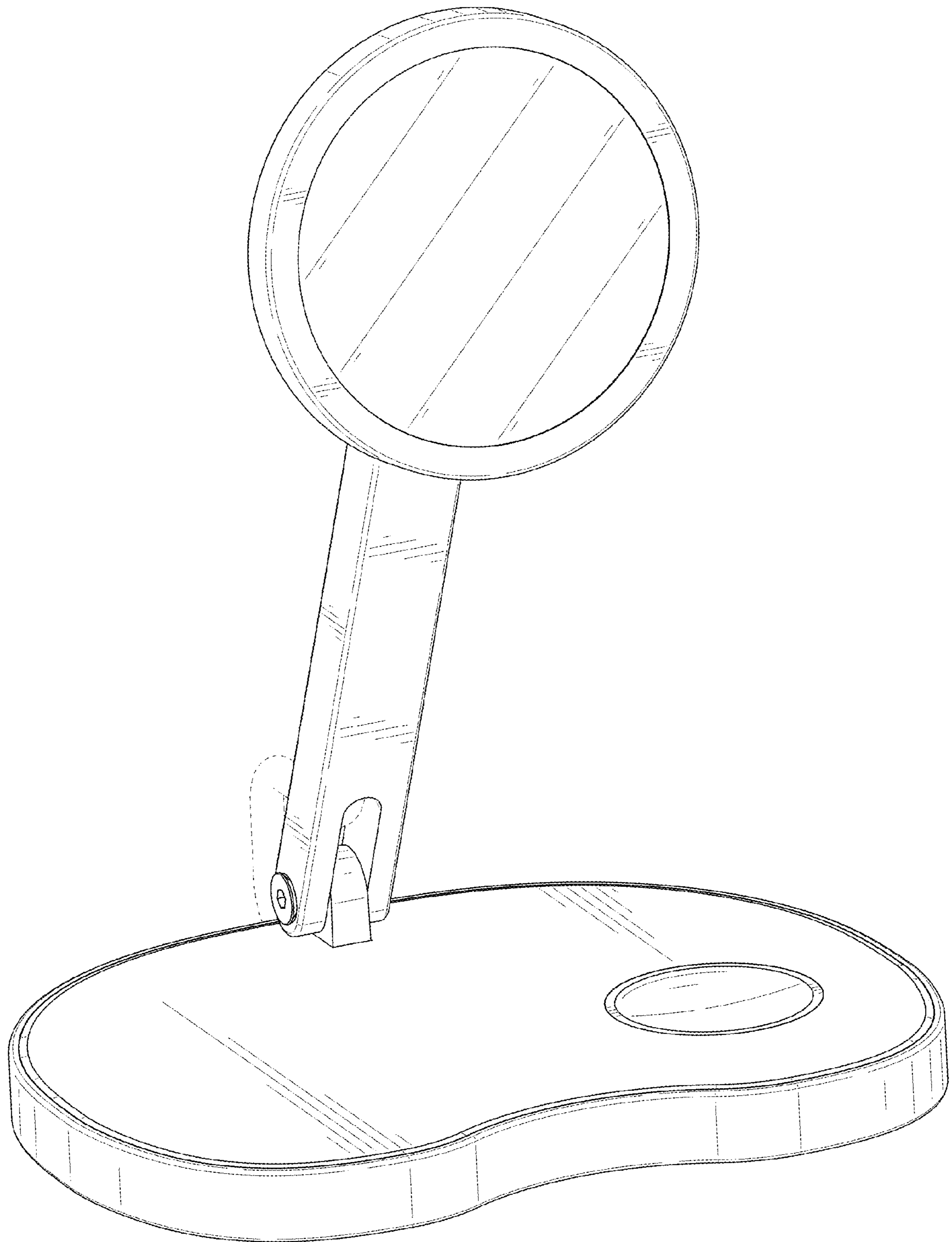


FIG. 1

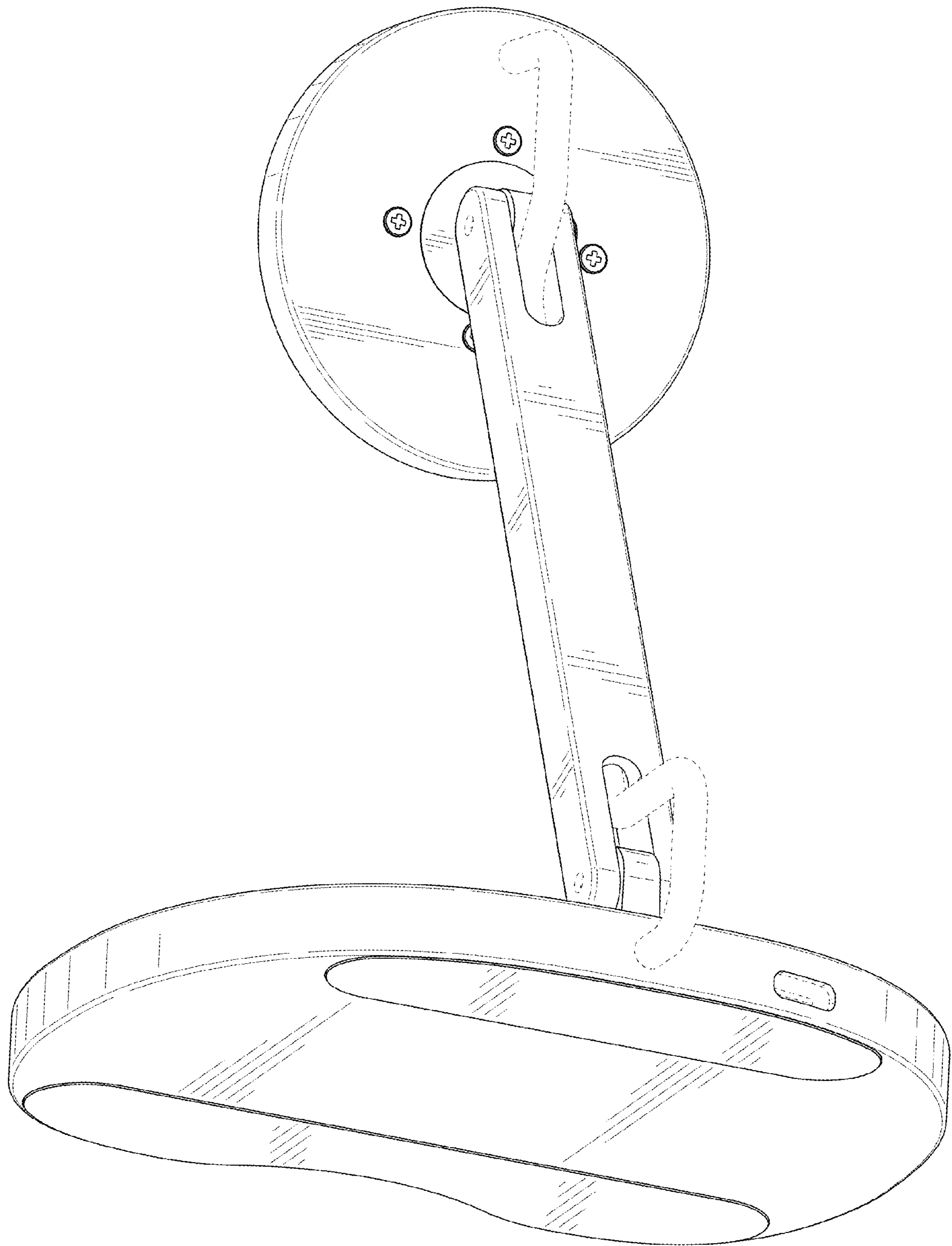


FIG. 2

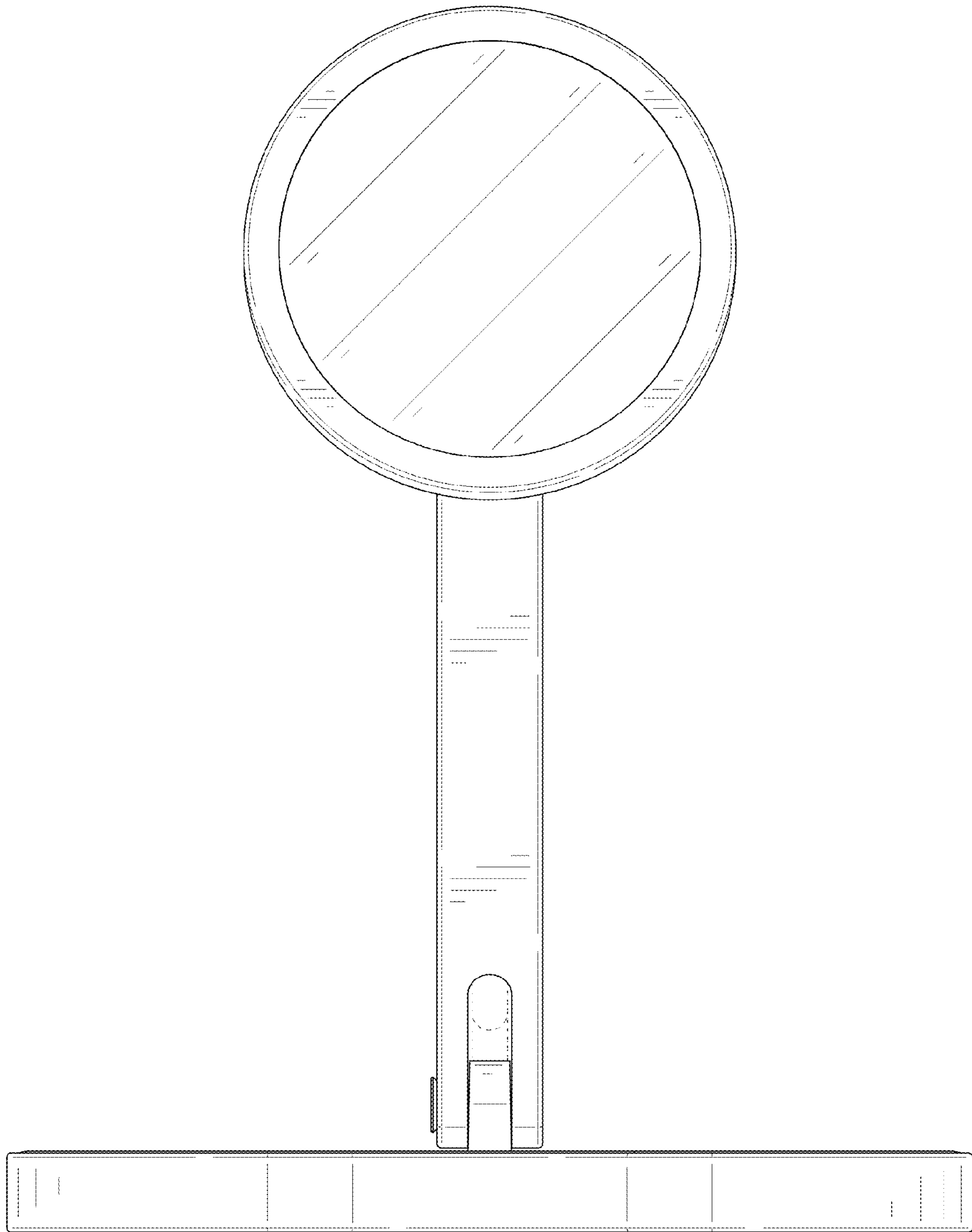


FIG. 3

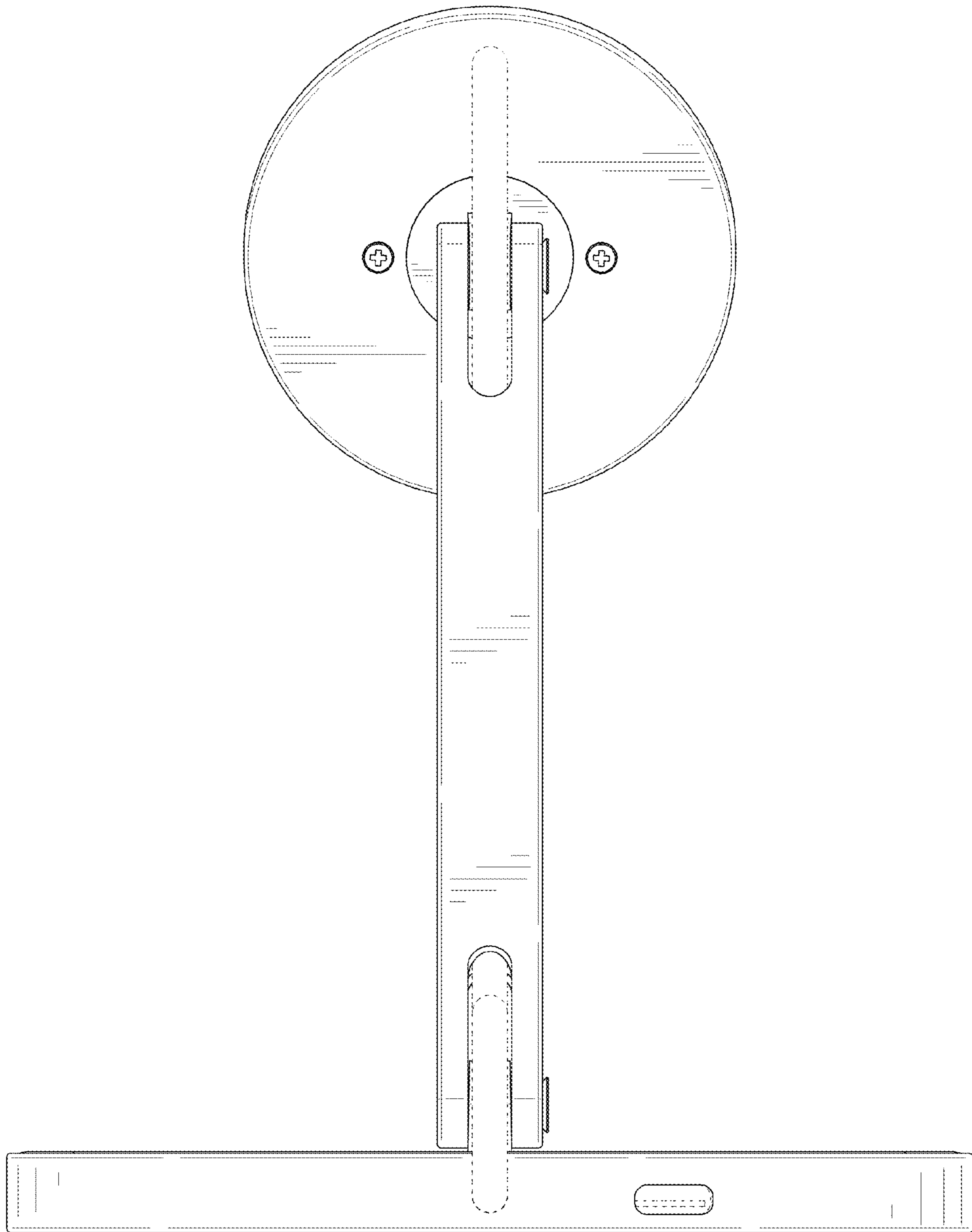


FIG. 4

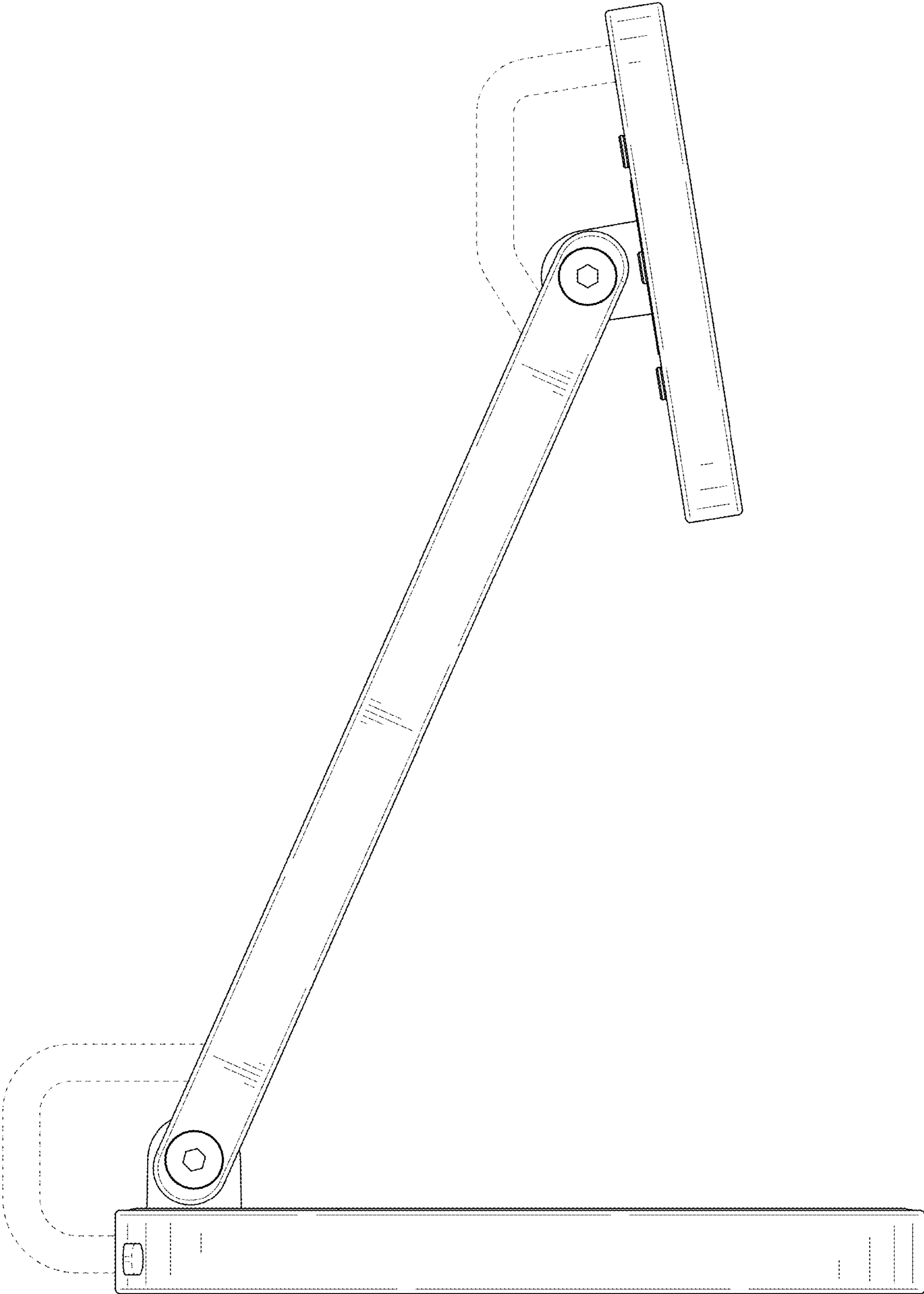


FIG. 5

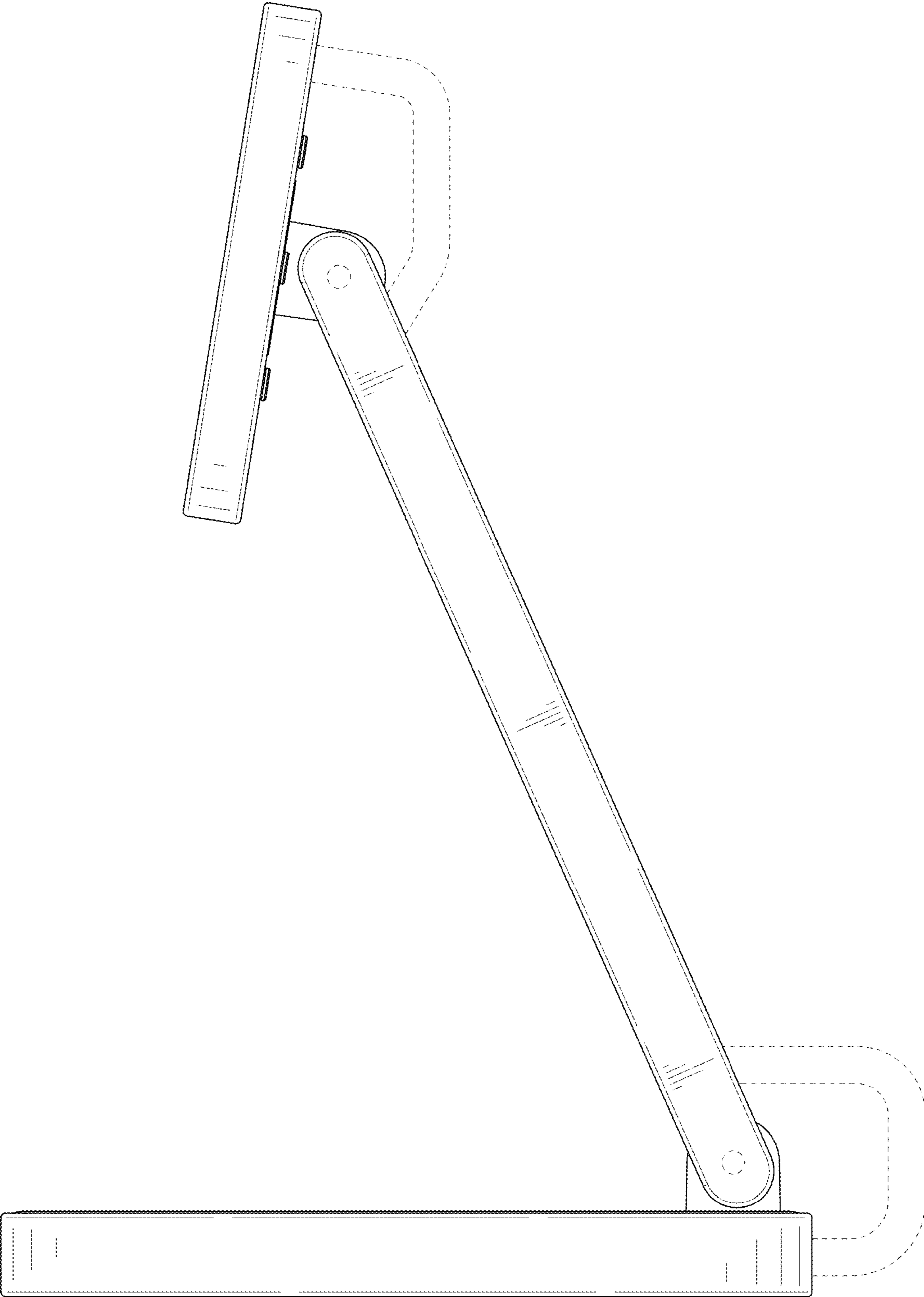


FIG. 6

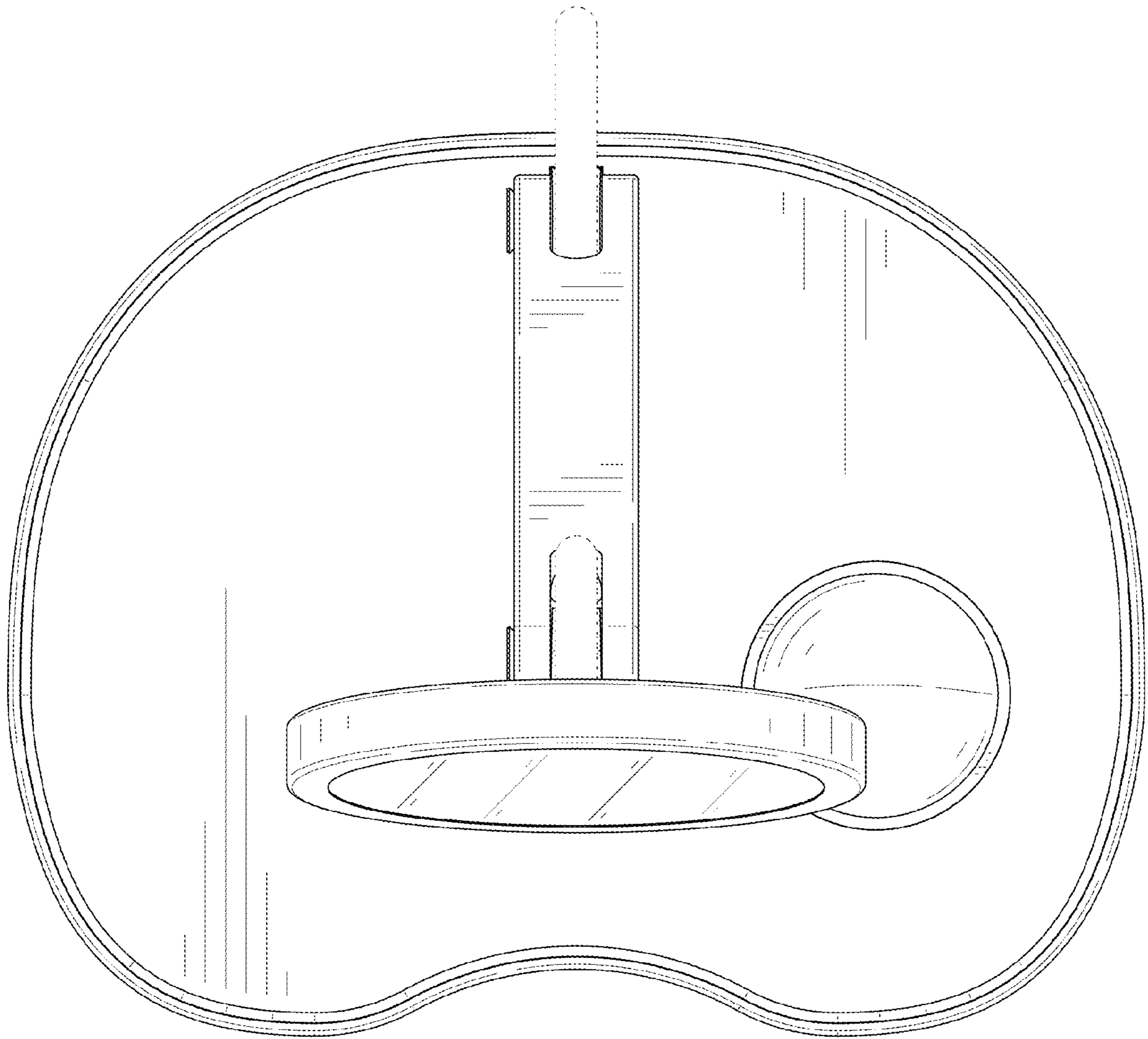


FIG. 7

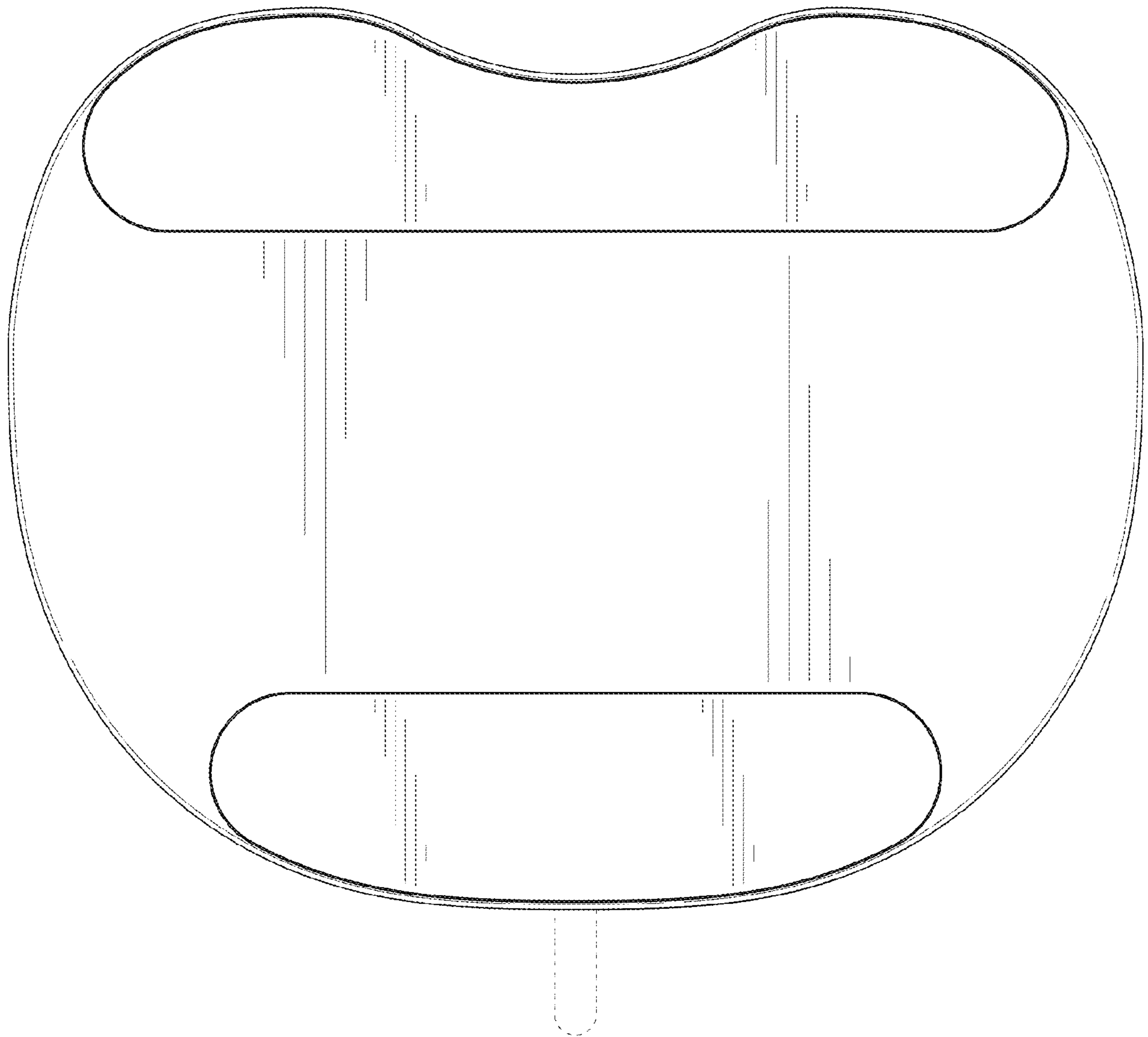


FIG. 8

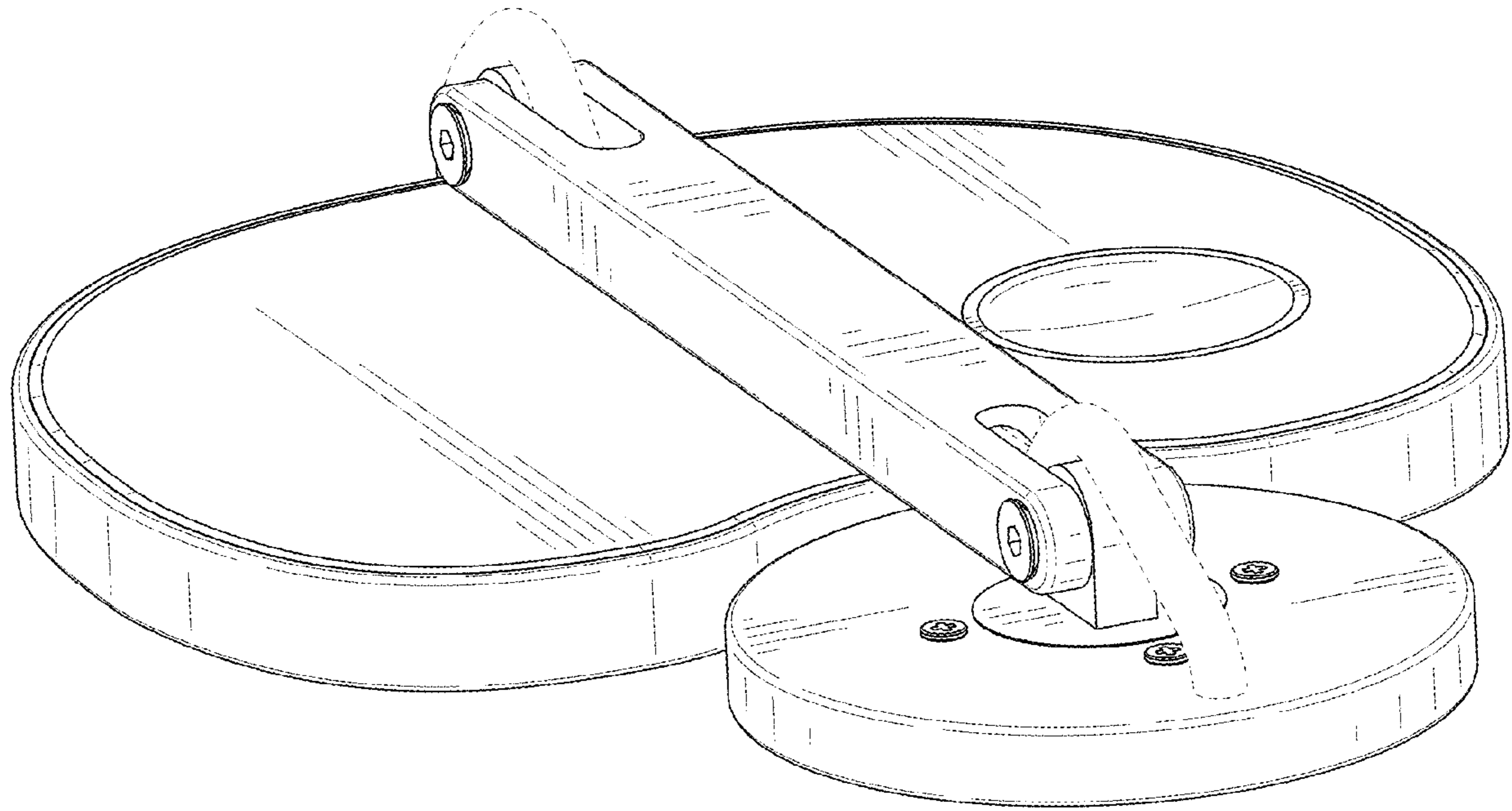


FIG. 9