



US00D942388S

(12) **United States Design Patent** (10) **Patent No.:** **US D942,388 S**
Li (45) **Date of Patent:** **** Feb. 1, 2022**

(54) **POWER ADAPTER**
(71) Applicant: **Yunxiong Li**, Heyuan (CN)
(72) Inventor: **Yunxiong Li**, Heyuan (CN)
(**) Term: **15 Years**

D892,054 S * 8/2020 Langhammer D13/137.1
D892,735 S * 8/2020 Zhang D13/108
D897,957 S * 10/2020 Yang D13/110
D900,739 S 11/2020 Wei et al.
D902,863 S 11/2020 Yang
D928,706 S * 8/2021 Akana D13/110
2021/0007232 A1* 1/2021 Kim H01R 31/065

(21) Appl. No.: **29/770,684**
(22) Filed: **Feb. 15, 2021**
(51) **LOC (13) Cl.** **13-02**
(52) **U.S. Cl.**
USPC **D13/108**
(58) **Field of Classification Search**
USPC D13/103, 107–110, 118–119, 184, 199,
D13/137.1–137.4, 138.1–138.2; D14/251,
D14/253, 432, 434
CPC H02J 7/025; H02J 7/005; H02J 7/0026;
H02J 7/0042; H02J 7/0044; H02J 7/0045;
H02J 7/0013; H02J 7/0003; H02J 7/02
See application file for complete search history.

OTHER PUBLICATIONS

“20W USB C Fast Charger, JUNVANG Dual Port PD Power Delivery + Quick Charger Wall Charger Block Plug for iPhone 13/12/11/Pro Max, XS/XR/X, 8/7/6, iPad Pro, AirPods Pro, Samsung Galaxy, Pixel”, Amazon.com, first available on Oct. 10, 2020. Retrieved from the internet: <https://www.amazon.com/Charger-JUNVANG-Delivery-AirPods-Samsung/dp/B08NWV8HP1/ref=sr_1_3?dchild=1&keywords=wall+charger+usb+c&qid=1632872514&sr=8-3>. (Year: 2020).*

* cited by examiner

Primary Examiner — Rosemary K Tarcza
(74) *Attorney, Agent, or Firm* — Xiaofang Zhong; Law Office of Xiaofang Zhong, PLLC

(56) **References Cited**

U.S. PATENT DOCUMENTS

D587,193 S 2/2009 McGinley et al.
D611,409 S 3/2010 Green et al.
D623,136 S * 9/2010 Andre D13/138.1
D689,819 S 9/2013 Olsson et al.
D694,183 S 11/2013 Matsuoka et al.
D730,823 S * 6/2015 Leung D13/108
D731,969 S 6/2015 Kamath et al.
D731,970 S * 6/2015 Kamath D13/110
D740,751 S * 10/2015 Akana D13/110
D743,889 S 11/2015 Lyles et al.
D790,464 S * 6/2017 He D13/110
D819,566 S 6/2018 Hung et al.
D834,516 S 11/2018 Jin
D845,898 S 4/2019 Laffon de Mazieres et al.
D867,286 S * 11/2019 Akana D13/110
D867,287 S * 11/2019 Akana D13/110
D867,989 S 11/2019 Akana et al.
D879,044 S * 3/2020 Fan D13/137.2
D879,712 S * 3/2020 Fan D13/108

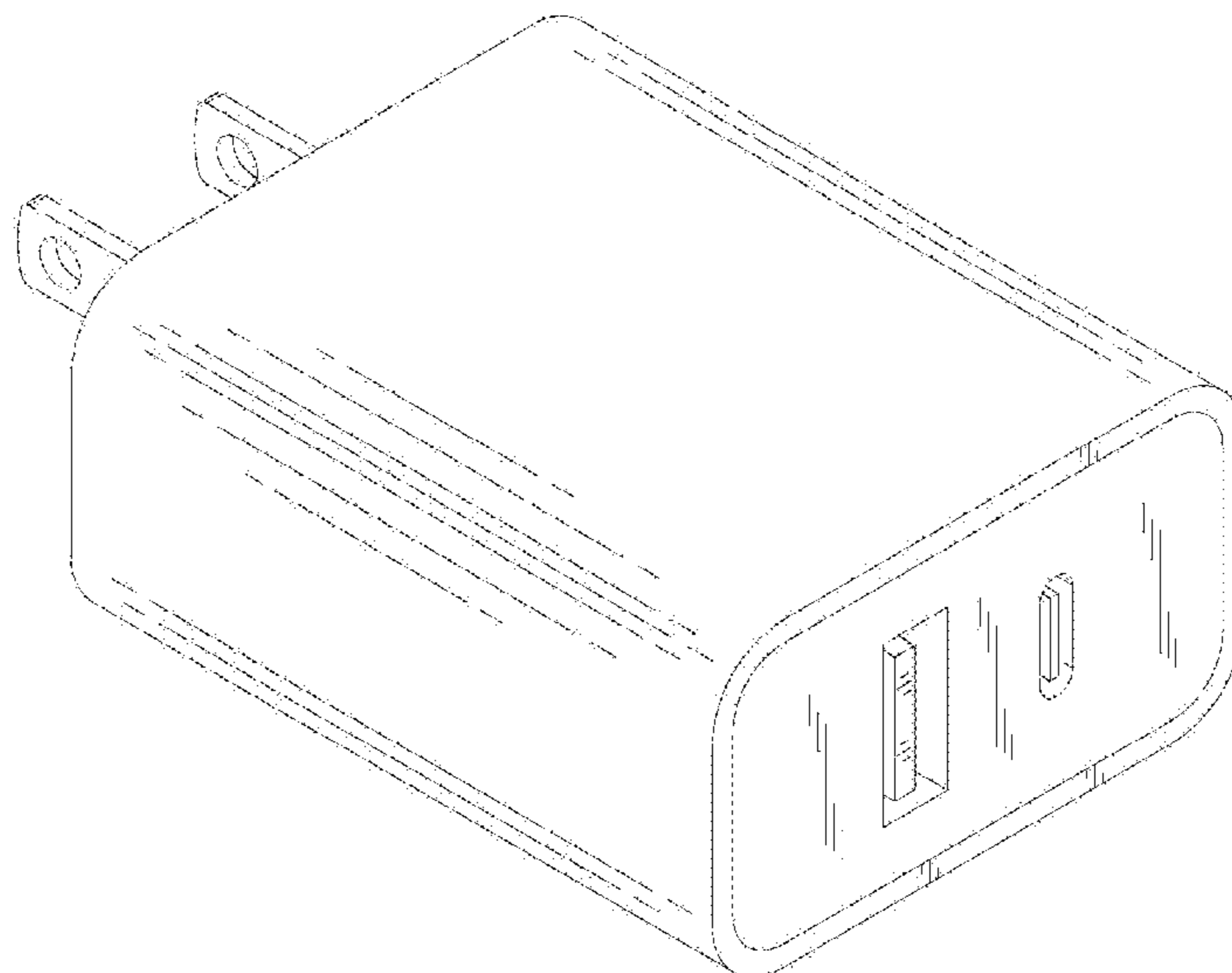
(57) **CLAIM**

The ornamental design for a power adapter, as shown and described.

DESCRIPTION

FIG. 1 is a perspective view of a power adapter showing my new design;
FIG. 2 is a front elevational view thereof;
FIG. 3 is a back elevational view thereof;
FIG. 4 is a right-side elevational view thereof;
FIG. 5 is a left-side elevational view thereof;
FIG. 6 is a top plan view thereof; and,
FIG. 7 is a bottom plan view thereof.
The broken lines in the drawings depict parts of the power adapter that form no part of the claimed design.

1 Claim, 7 Drawing Sheets



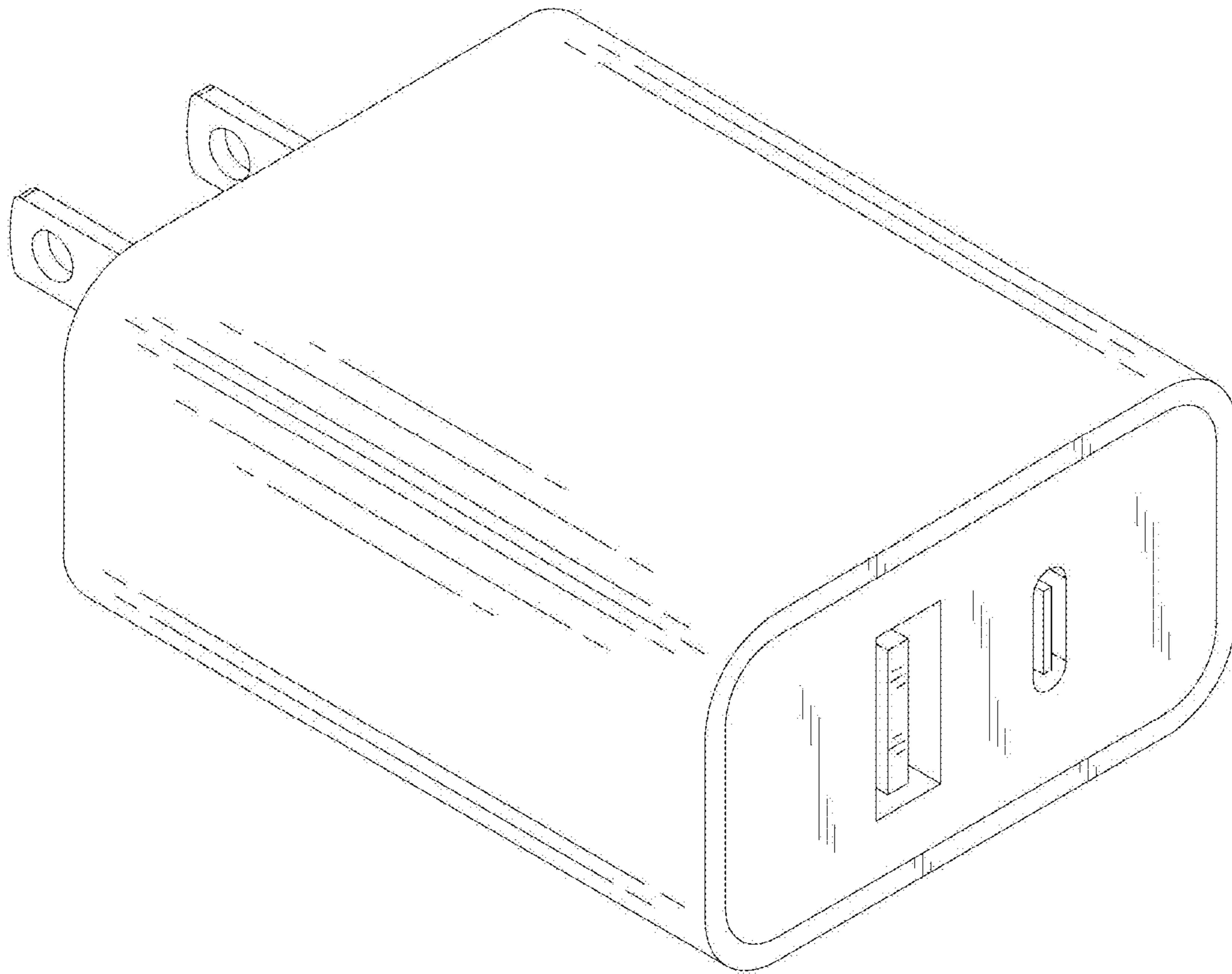


FIG. 1

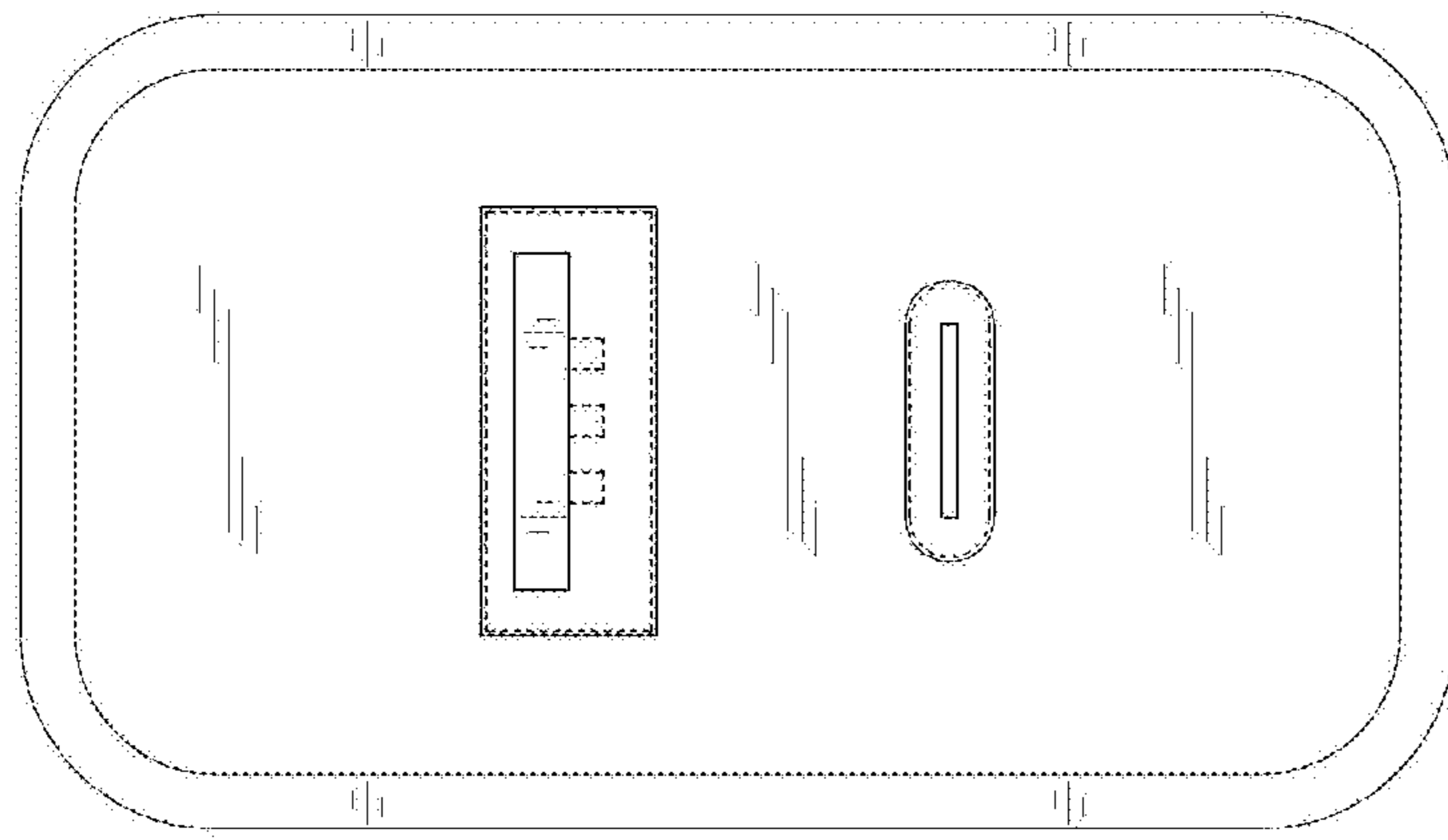


FIG. 2

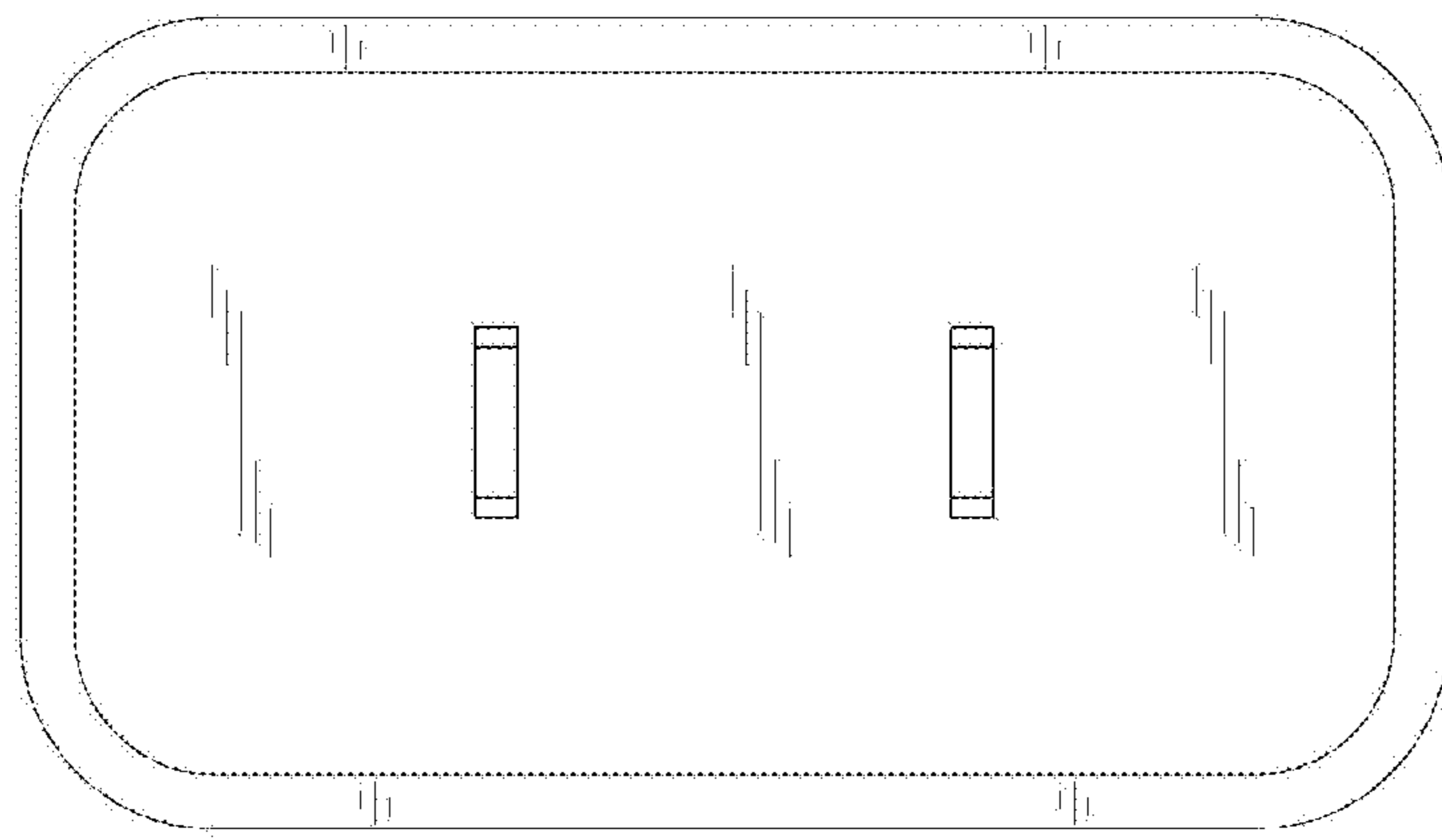


FIG. 3

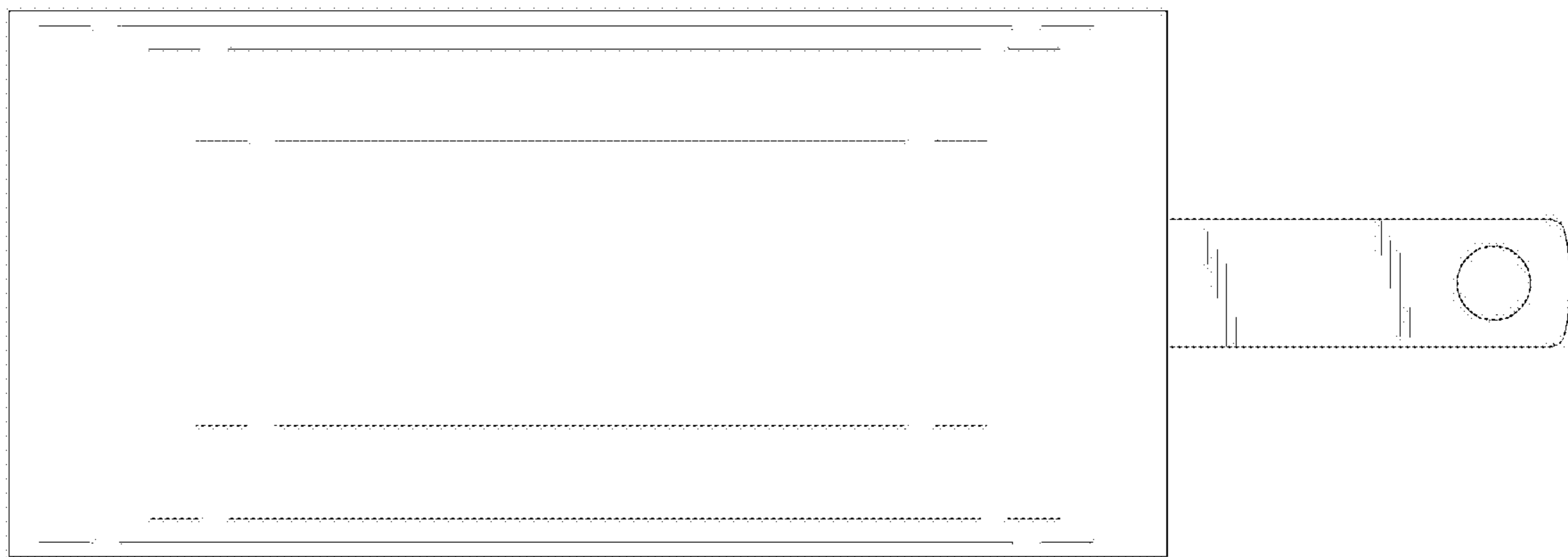


FIG. 4

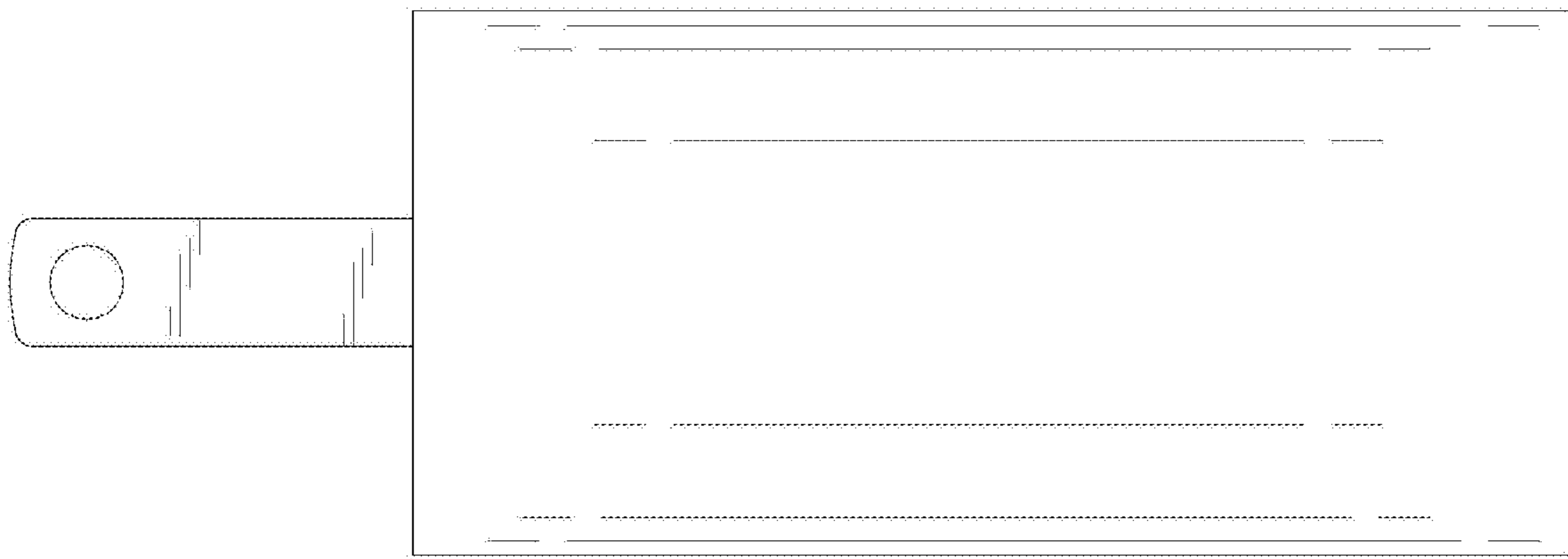


FIG. 5

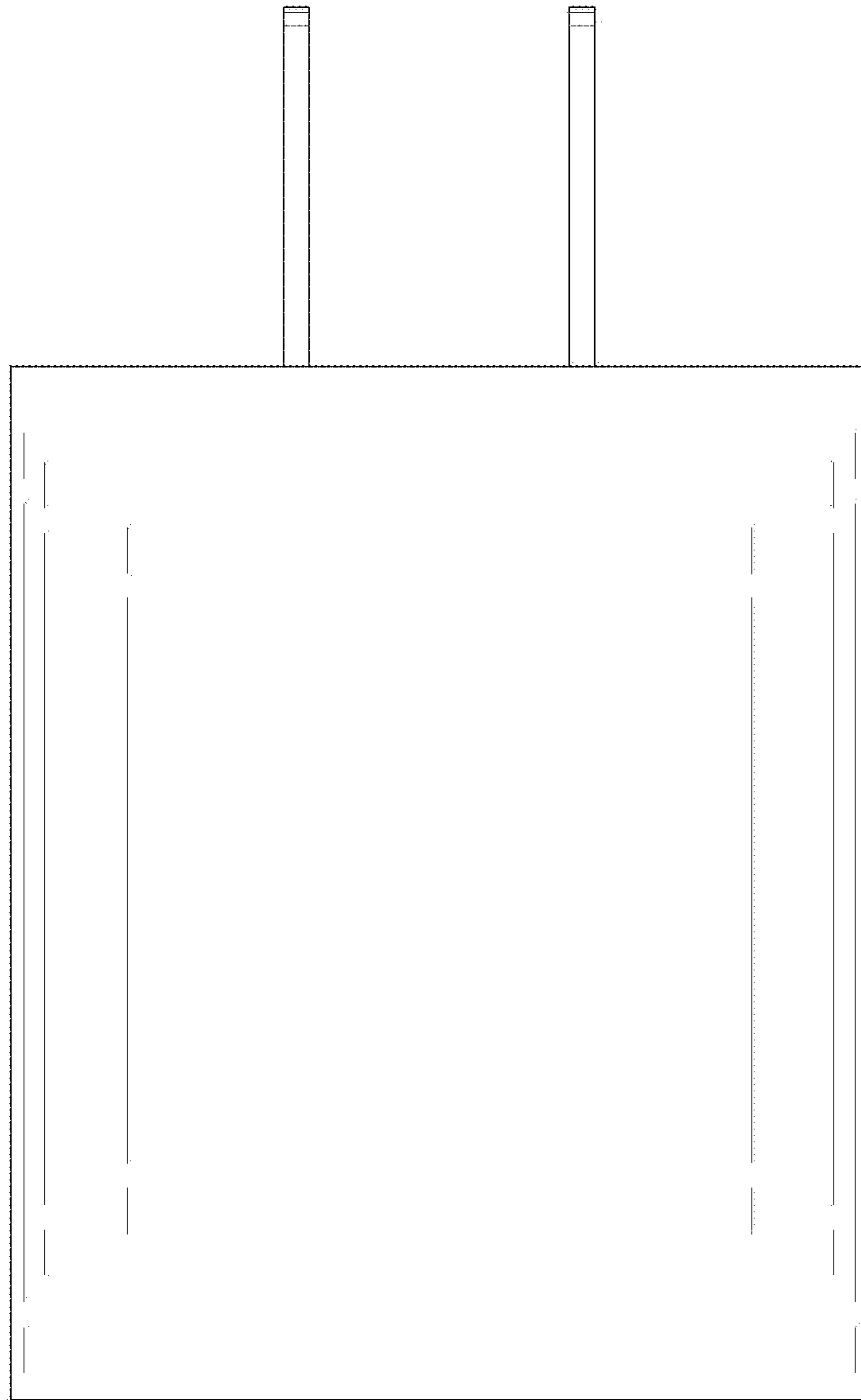


FIG. 6

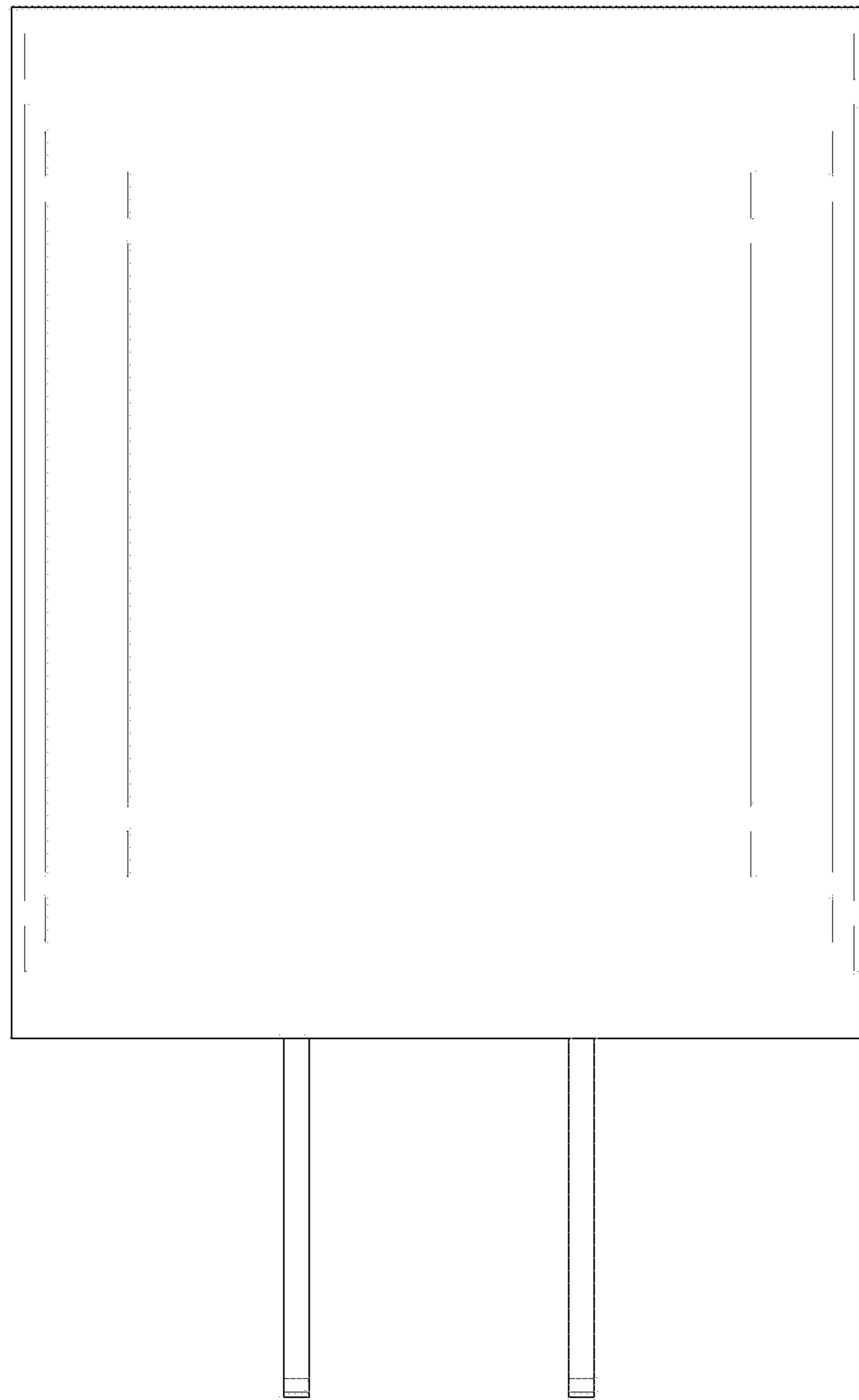


FIG. 7