



US00D942385S

(12) **United States Design Patent** (10) **Patent No.:** **US D942,385 S**
Wu (45) **Date of Patent:** **** Feb. 1, 2022**

(54) **CHARGING HEAD**
(71) Applicant: **Shihong Wu**, Liuzhou (CN)
(72) Inventor: **Shihong Wu**, Liuzhou (CN)
(73) Assignee: **DONGGUAN KINGTRON ELECTRONICS TECHNOLOGY CO., LTD**, Dongguan (CN)

(**) Term: **15 Years**
(21) Appl. No.: **29/763,491**
(22) Filed: **Dec. 22, 2020**
(51) **LOC (13) Cl.** **13-02**
(52) **U.S. Cl.**
USPC **D13/108**
(58) **Field of Classification Search**
USPC D13/103, 107–110, 118–119, 184, 199,
D13/137.1–137.4, 138.1–138.2; D14/251,
D14/253, 432, 434, 433
CPC H02J 7/025; H02J 7/005; H02J 7/0026;
H02J 7/0042; H02J 7/0044; H02J 7/0045;
H02J 7/0013; H02J 7/0003
See application file for complete search history.

(56) **References Cited**
U.S. PATENT DOCUMENTS
D638,357 S * 5/2011 Sasada D13/110
D692,825 S * 11/2013 Izen D13/108
D704,630 S * 5/2014 Liu D13/108
D731,970 S * 6/2015 Kamath D13/110
D734,259 S * 7/2015 Ceyress D13/110
D758,965 S 6/2016 Jen
D790,464 S * 6/2017 He D13/110
D796,432 S * 9/2017 Liu D13/107
D867,287 S * 11/2019 Akana D13/110
D879,044 S * 3/2020 Fan D13/137.2
D879,712 S * 3/2020 Fan D13/108
D883,198 S * 5/2020 Zhang D13/107
D885,336 S * 5/2020 Deng D13/108

D888,666 S * 6/2020 Zhang D13/110
D892,735 S * 8/2020 Zhang D13/108
D892,737 S * 8/2020 Yuan D13/110
D897,957 S * 10/2020 Yang D13/110
D899,364 S * 10/2020 Zhang D13/110
D926,129 S * 7/2021 Huang D13/110
D926,130 S * 7/2021 Huang D13/110
2021/0007232 A1* 1/2021 Kim H01R 31/065

OTHER PUBLICATIONS

“iPhone Charger USB-C, Anker 40W 2-Port PIQ 3.0, PowerPort III Duo Type C Foldable Fast Charger, Power Delivery for iPhone 12/12 Mini/12 Pro/12 Pro Max/11/XR, Galaxy, Pixel, iPad Pro and More”, Amazon.com. First available on Oct. 30, 2020. Retrieved from the internet: <https://www.amazon.com/Charger-Anker-PowerPort-Foldable-Delivery/dp/B08M9M2V7X/ref=sr_1_8?dchild=1&keywords=usb%2Bc%2Bcharger&qid=1630203333&sr=8-8&th=1> (Year: 2020).*

* cited by examiner

Primary Examiner — Rosemary K Tarcza
(74) *Attorney, Agent, or Firm* — Justin Lampel

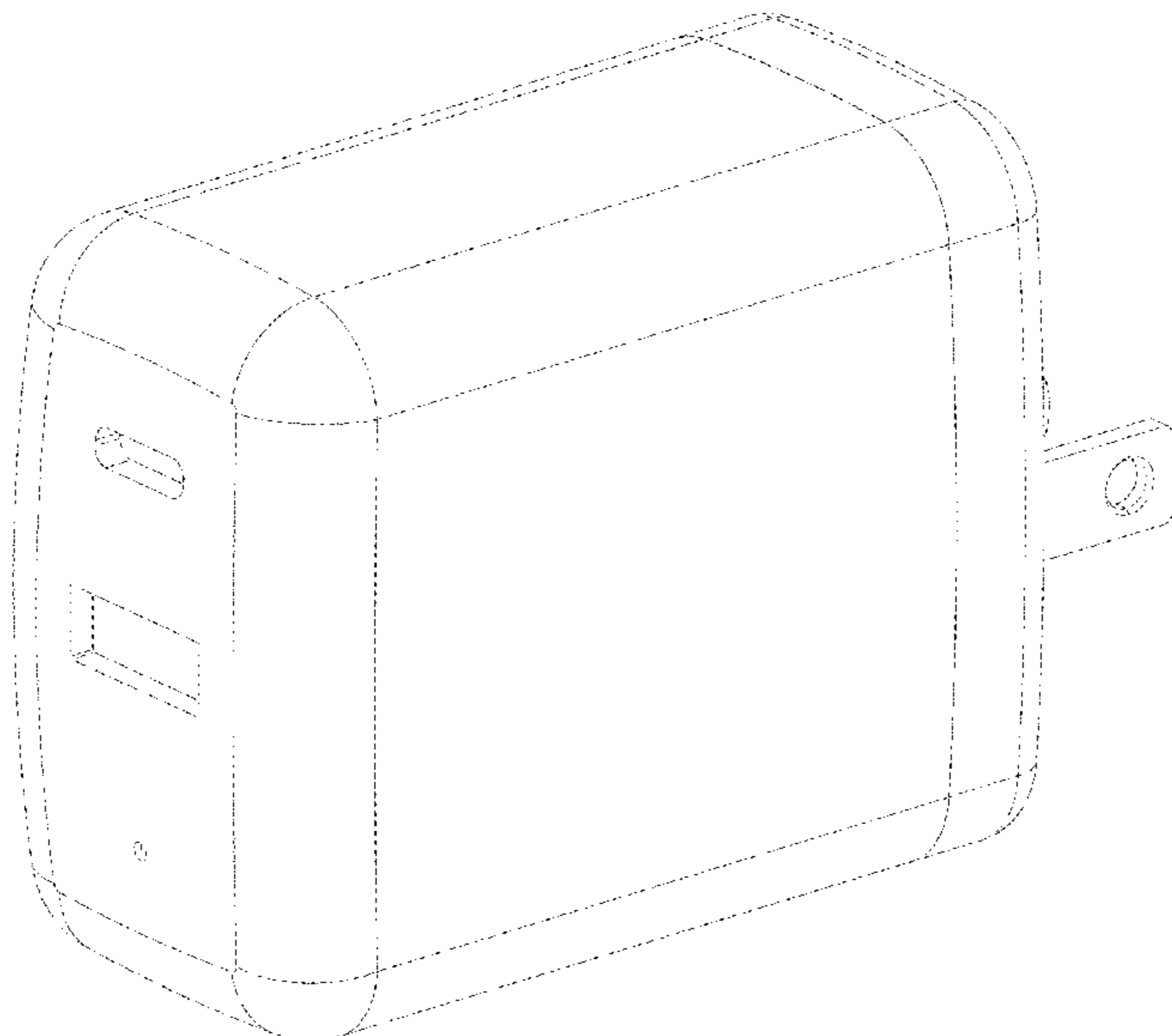
(57) **CLAIM**

The ornamental design for a charging head, as shown and described.

DESCRIPTION

FIG. 1 is a perspective view of a charging head showing the claimed design;
FIG. 2 is a top plan view thereof;
FIG. 3 is a left side view thereof;
FIG. 4 is a rear elevational view thereof;
FIG. 5 is a right side view thereof;
FIG. 6 is a front elevational view thereof; and,
FIG. 7 is a bottom plan view thereof.
The broken lines illustrate portions of the charging head that form no part of the claimed design.

1 Claim, 7 Drawing Sheets



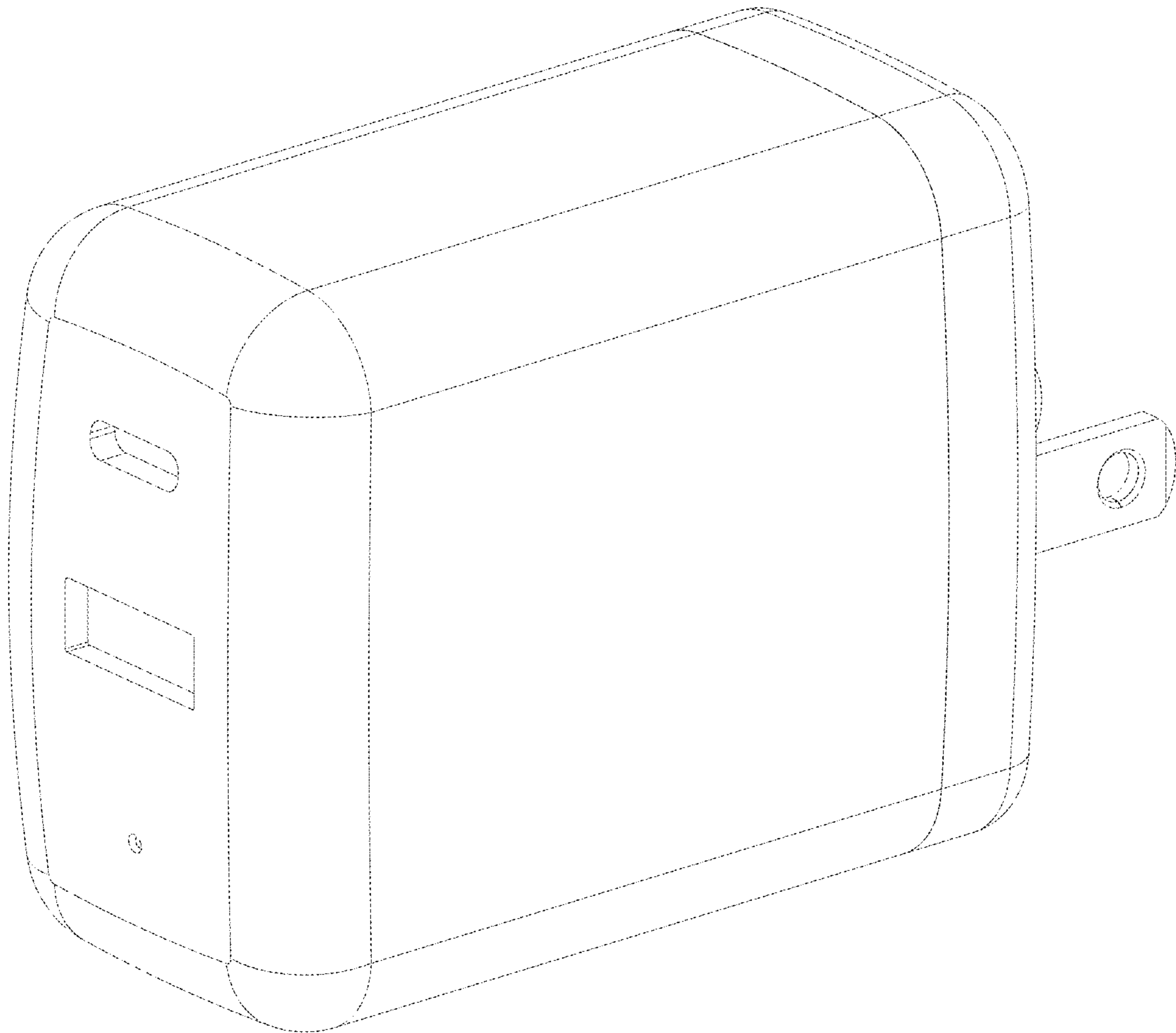


FIG. 1

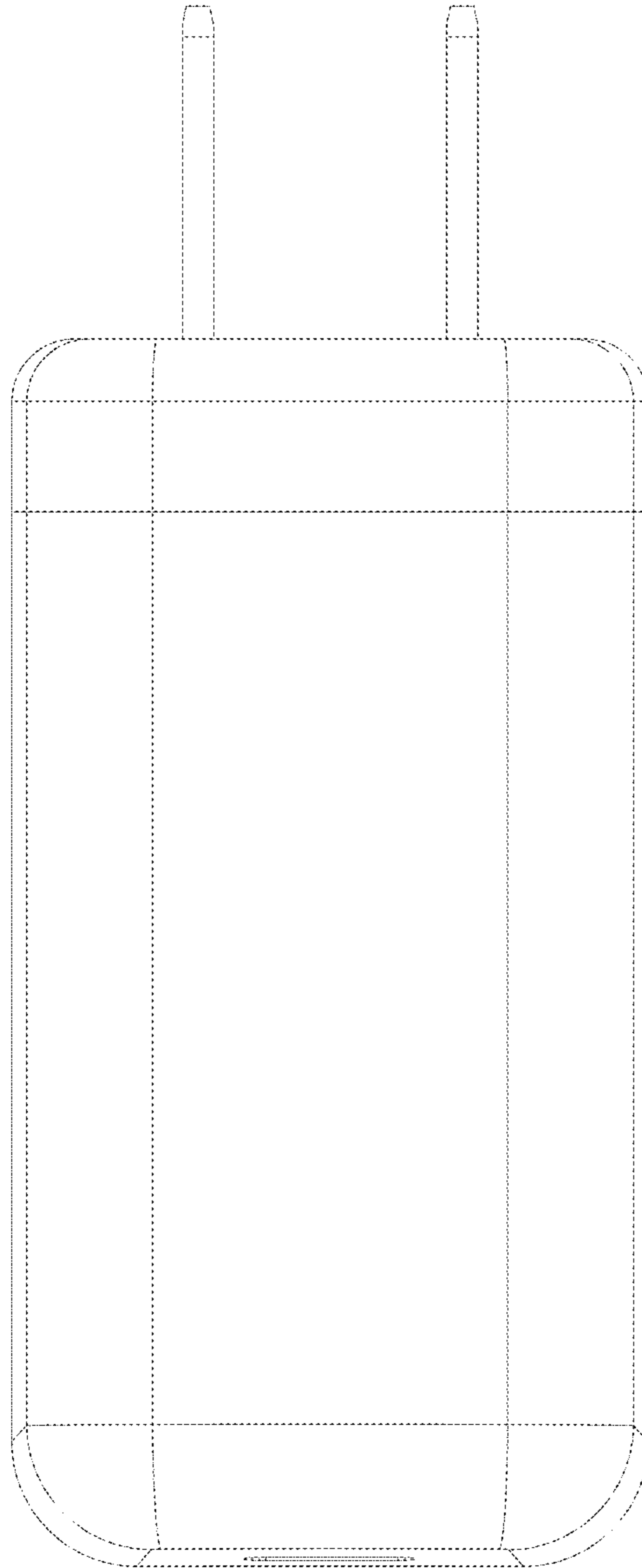


FIG. 2

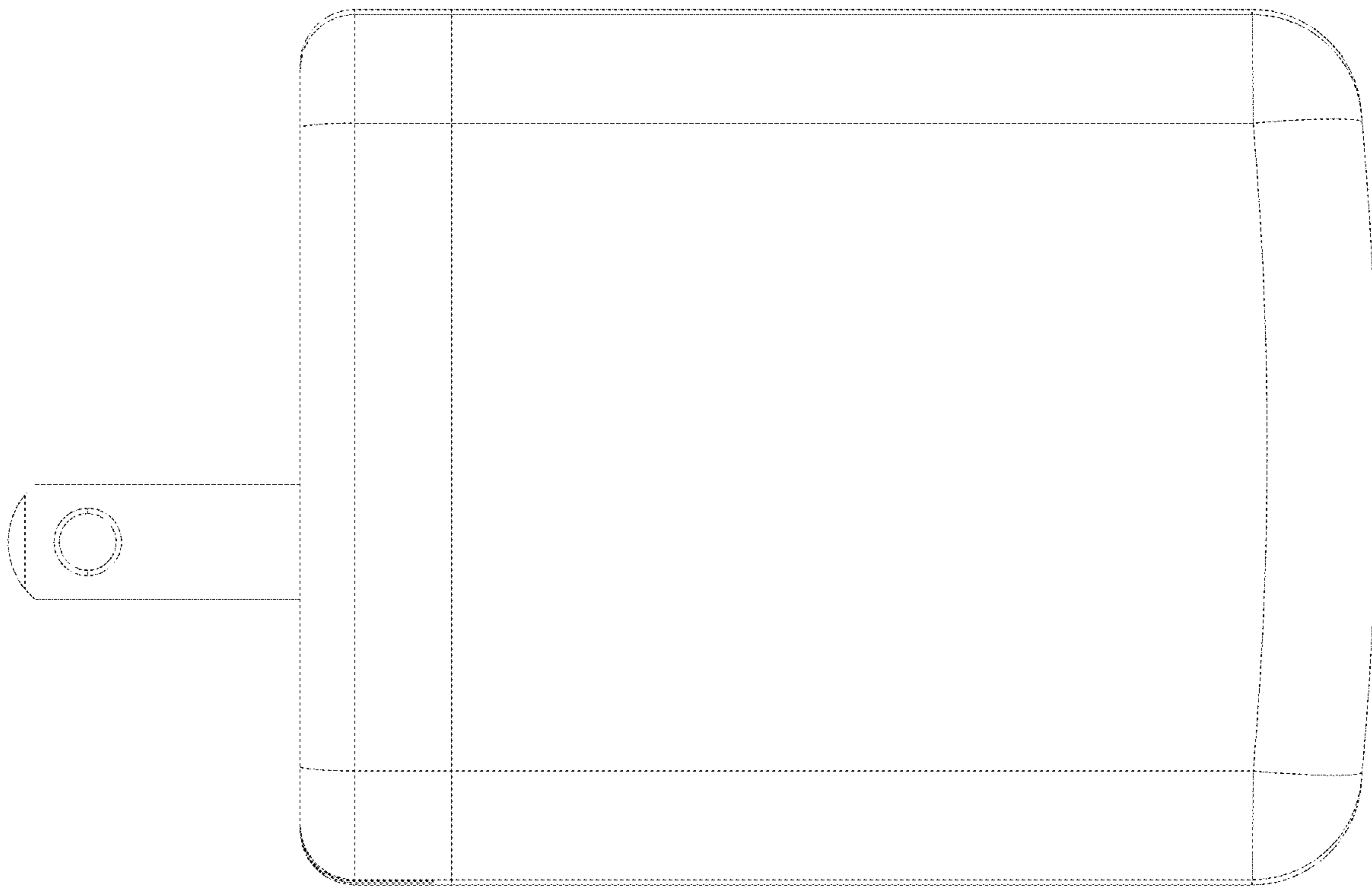


FIG. 3

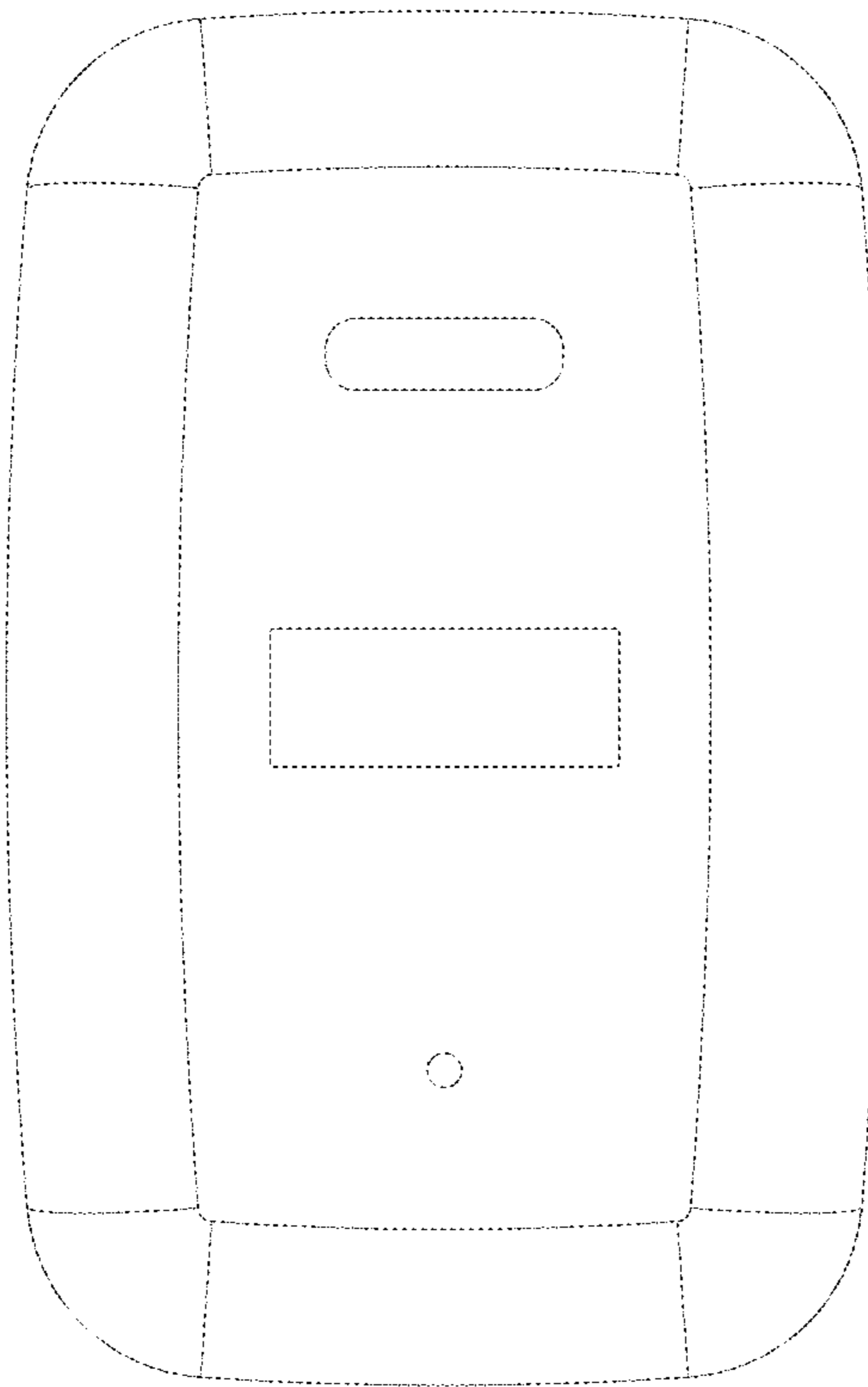


FIG. 4

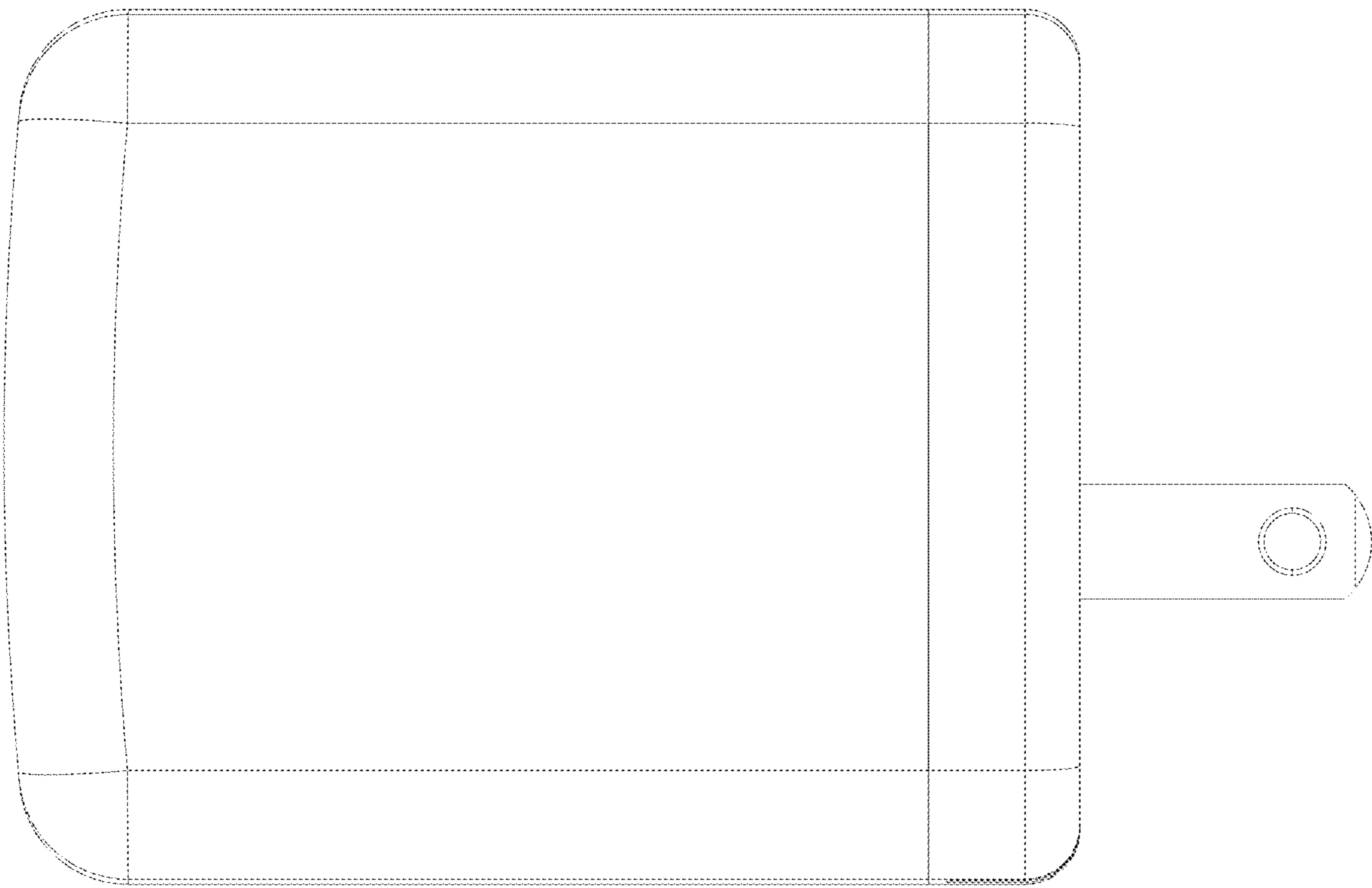


FIG.5

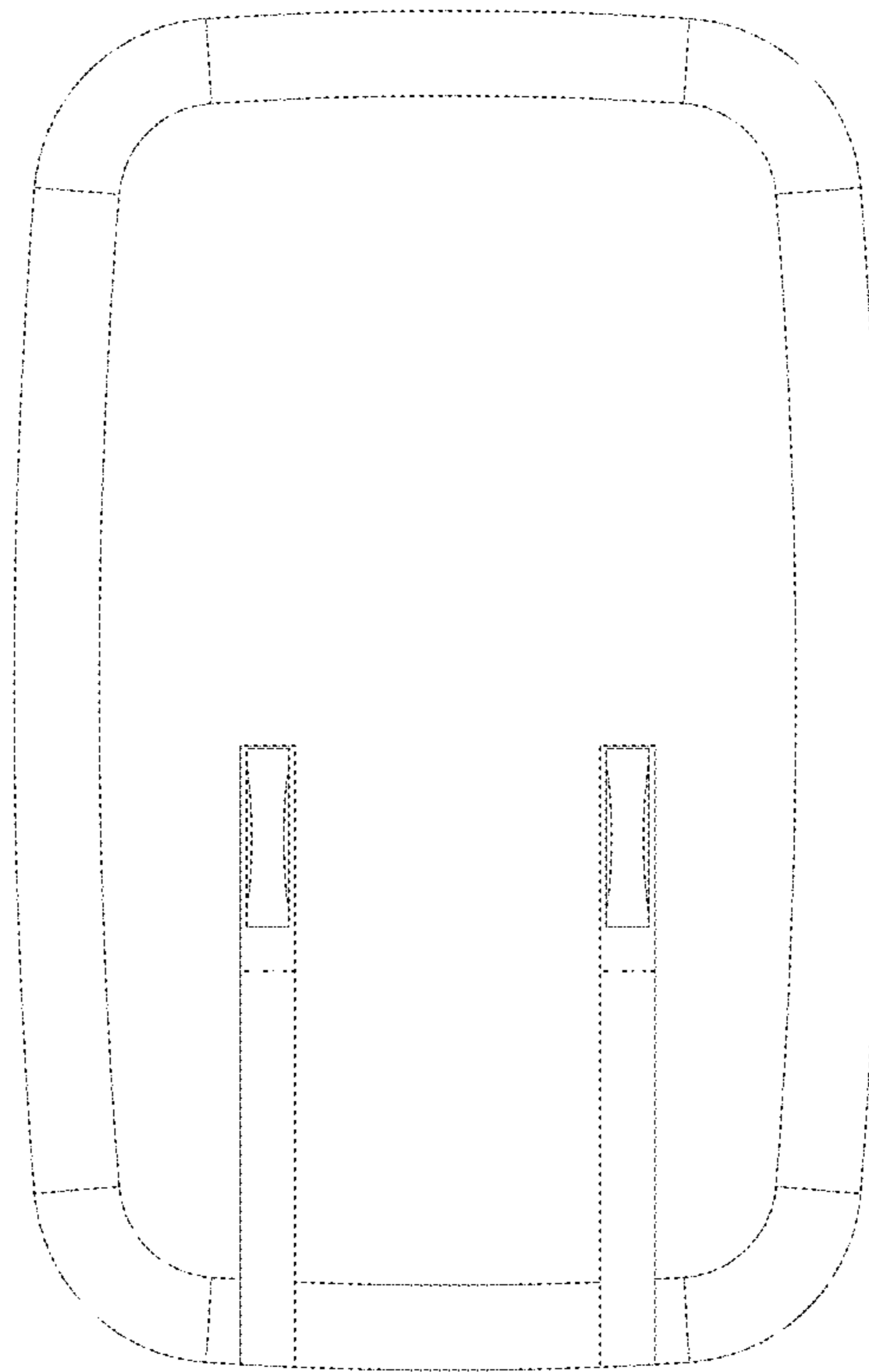


FIG. 6

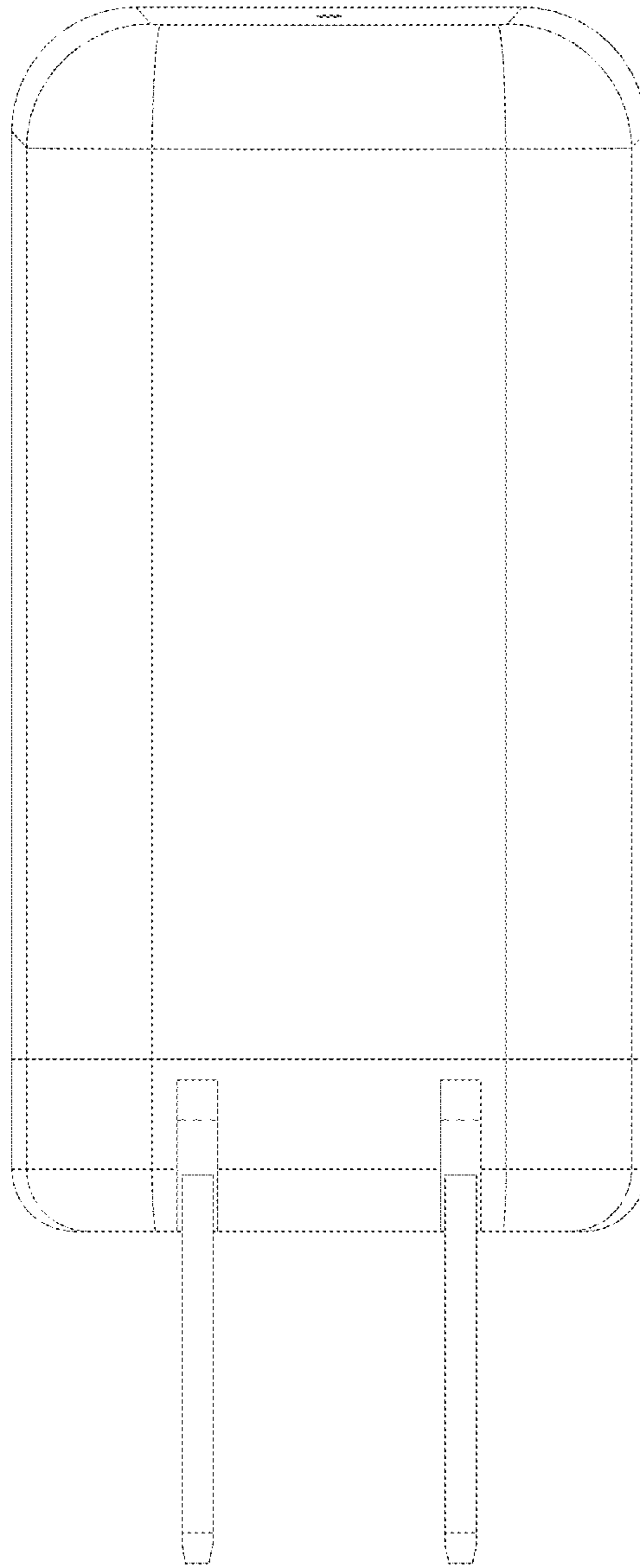


FIG. 7