

US00D942383S

(12) **United States Design Patent** (10) **Patent No.:** **US D942,383 S**
Wu (45) **Date of Patent:** **** Feb. 1, 2022**

(54) **CHARGING HEAD**
(71) Applicant: **Shihong Wu**, Liuzhou (CN)
(72) Inventor: **Shihong Wu**, Liuzhou (CN)
(73) Assignee: **DONGGUAN KINGTRON ELECTRONICS TECHNOLOGY CO., LTD**, Dongguan (CN)

D704,630 S * 5/2014 Liu D13/108
D729,160 S * 5/2015 Levy D13/110
D731,970 S * 6/2015 Kamath D13/110
D734,259 S * 7/2015 Cexpress D13/110
D735,130 S * 7/2015 Huang D13/108
D758,965 S 6/2016 Jen
D804,412 S * 12/2017 Huang D13/108
(Continued)

(**) Term: **15 Years**
(21) Appl. No.: **29/760,170**
(22) Filed: **Nov. 30, 2020**
(51) **LOC (13) Cl.** **13-02**
(52) **U.S. Cl.**
USPC **D13/108**
(58) **Field of Classification Search**
USPC D13/103, 107-110, 118-119, 184, 199,
D13/137.1-137.4, 138.1-138.2; D14/251,
D14/253, 432, 434, 433
CPC H02J 7/025; H02J 7/005; H02J 7/0026;
H02J 7/0042; H02J 7/0044; H02J 7/0045;
H02J 7/0013; H02J 7/0003
See application file for complete search history.

(56) **References Cited**
U.S. PATENT DOCUMENTS

D610,992 S * 3/2010 Fahrendorff D13/138.1
D611,415 S * 3/2010 Andre D13/138.1
D623,136 S * 9/2010 Andre D13/138.1
D627,728 S * 11/2010 Smith D13/138.1
D627,729 S * 11/2010 Smith D13/138.1
D638,357 S * 5/2011 Sasada D13/110
D642,524 S * 8/2011 Fitch D13/110
D653,208 S * 1/2012 Au D13/108
D653,209 S * 1/2012 Lee D13/110
D653,614 S * 2/2012 Au D13/108
D653,615 S * 2/2012 Au D13/108
D655,243 S * 3/2012 Au D13/108
D692,825 S * 11/2013 Izen D13/108
D693,764 S * 11/2013 Man D13/108
D702,631 S * 4/2014 Esses D13/108

OTHER PUBLICATIONS

“iPhone Fast Charger, USB C Wall Charger Fast Charging PD 20W Plug Quick Charge Adapter with 6FT Type C to Lightning Cable Data Sync Cord”, Amazon.com. First available on May 4, 2020. Retrieved from the internet: <[*Primary Examiner* — Rosemary K Tarcza
\(74\) *Attorney, Agent, or Firm* — Justin Lampel](https://www.amazon.com/dp/B092HYM149/ref=sspa_dk_detail_6?psc=1&pd_rd_i=(Year:2020)B092HYM149&pd_rd_w=ObLYb&pf_rd_p=5d846283-ed3e-4512-a744-a30f97c5d738&pd_rd_wg=98XwE&pf_rd_r=J5SKQ1ZZX5XEJ7T15S2J&pd_rd_r=64917ad0-ec07-4485-8c16-22ae13c6dedf&spLa=ZW5jcnlwdGVkUXVhbGlmaWVyPUEwUlpUNUVHMVM4Rzl3JmVuY3J5cHRIZEIkPUEwMDA>.”
(Continued)</p></div>
<div data-bbox=)

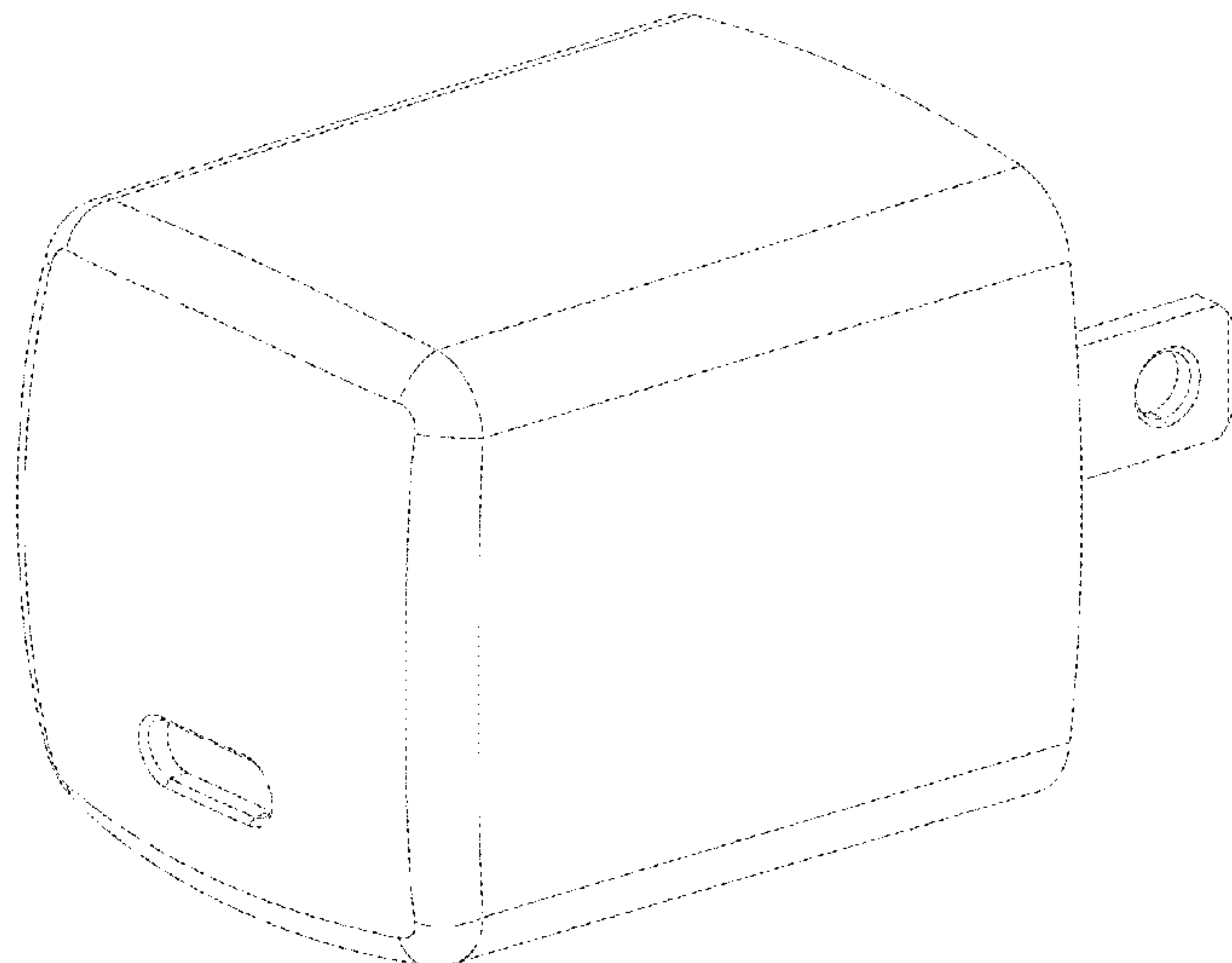
(57) **CLAIM**

The ornamental design for a charging head, as shown and described.

DESCRIPTION

FIG. 1 is a perspective view of a charging head showing the claimed design;
FIG. 2 is a top plan view thereof;
FIG. 3 is a left side view thereof;
FIG. 4 is a rear elevational view thereof;
FIG. 5 is a right side view thereof;
FIG. 6 is a front elevational view thereof; and,
FIG. 7 is a bottom plan view thereof.
The broken lines illustrate portions of the charging head that form no part of the claimed design.

1 Claim, 7 Drawing Sheets



(56)

References Cited

U.S. PATENT DOCUMENTS

D834,516 S * 11/2018 Jin D13/108
 D860,952 S * 9/2019 Akana D13/147
 D867,287 S * 11/2019 Akana D13/110
 D879,712 S * 3/2020 Fan D13/108
 D885,336 S * 5/2020 Deng D13/108
 D892,736 S * 8/2020 Jin D13/108
 D892,737 S * 8/2020 Yuan D13/110
 D900,738 S * 11/2020 Liu D13/108
 D903,589 S * 12/2020 Akana D13/110
 D926,130 S * 7/2021 Huang D13/110
 2020/0381934 A1 * 12/2020 Kim H05K 1/021
 2021/0007232 A1 * 1/2021 Kim H01R 31/065

OTHER PUBLICATIONS

“USB C Charger, Anker Nano Charger PIQ 3.0 Durable Compact Fast Charger, PowerPort III for iPhone 12/12 Mini/12 Pro/12 Pro Max/11, Galaxy, Pixel 4/3, iPad Pro (Cable Not Included)”, Amazon.com, first available Feb. 4, 2020. Accessed on the internet: <[https://www.amazon.com/Charger-Anker-Compact-\(Year:2020\)PowerPort-Nintendo/dp/B084GTXTMD/ref=pd_vtp_3/146-9512464-5459255?pd_rd_w=QfDxS&pf_rd_p=016e3697-91be-4dc2-9533-ef9350e7e73d&pf_rd_r=7ZGDHK38CA776QWH054F&pd_rd_r=71345796-69b7-4cba-8f6b-d9b50891151c&pd_rd_wg=Bo16h&pd_rd_i=B084GTXTMD&th=1](https://www.amazon.com/Charger-Anker-Compact-(Year:2020)PowerPort-Nintendo/dp/B084GTXTMD/ref=pd_vtp_3/146-9512464-5459255?pd_rd_w=QfDxS&pf_rd_p=016e3697-91be-4dc2-9533-ef9350e7e73d&pf_rd_r=7ZGDHK38CA776QWH054F&pd_rd_r=71345796-69b7-4cba-8f6b-d9b50891151c&pd_rd_wg=Bo16h&pd_rd_i=B084GTXTMD&th=1)>.*

“USB C Wall Charger, JSAUX Mini 20W Dual Ports USB Type C PD Fast Charger”, Amazon.com. First available on Jan. 4, 2021. Retrieved from the internet <https://www.amazon.com/Charger-JSAUX-Foldable-iPhone-Samsung/dp/B08RYW4CKF/ref=sr_1_63?dchild=1&keywords=usb+charger&qid=1630194484&sr=8-63>. (Year: 2021).*

* cited by examiner

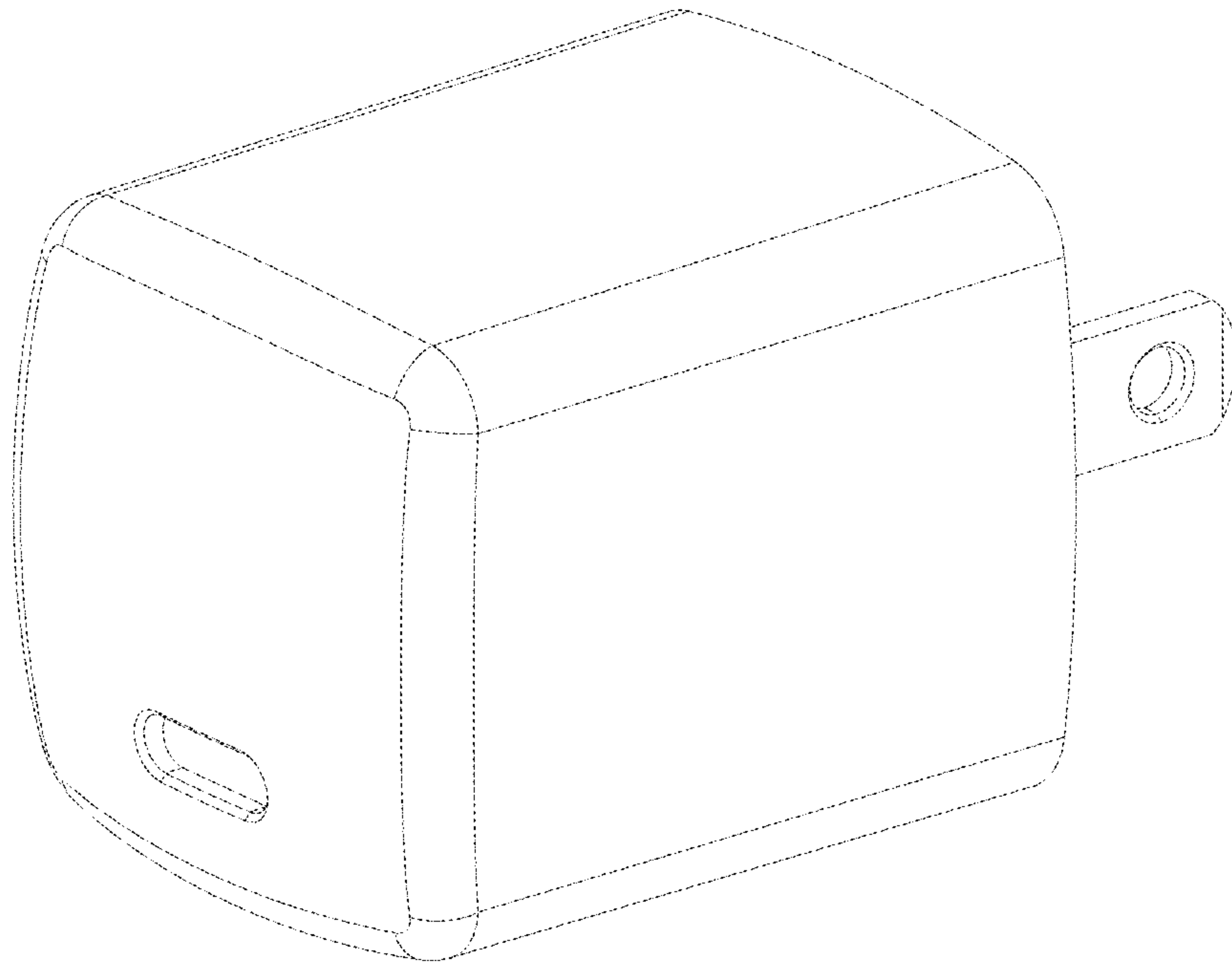


FIG.1

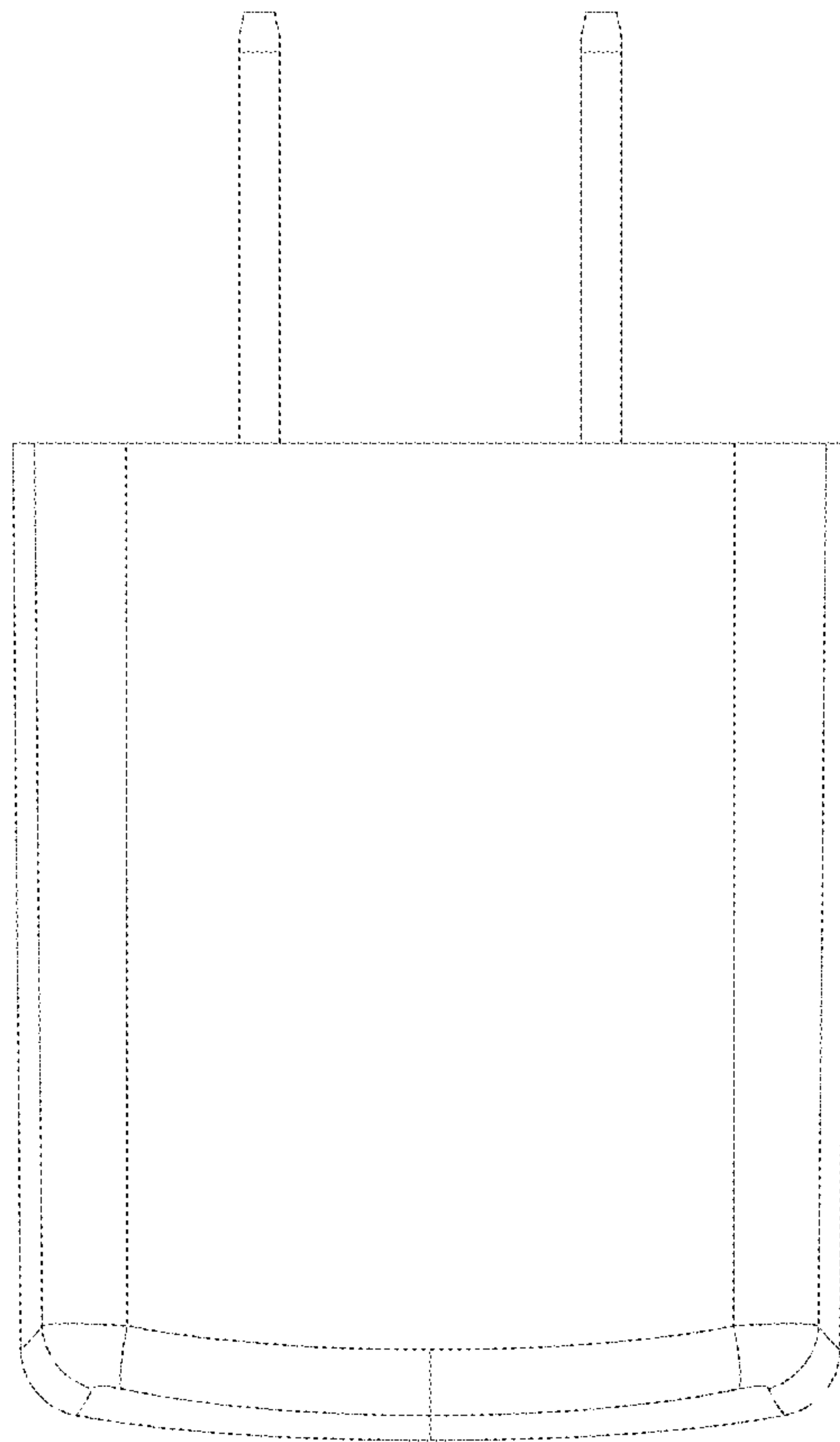


FIG. 2

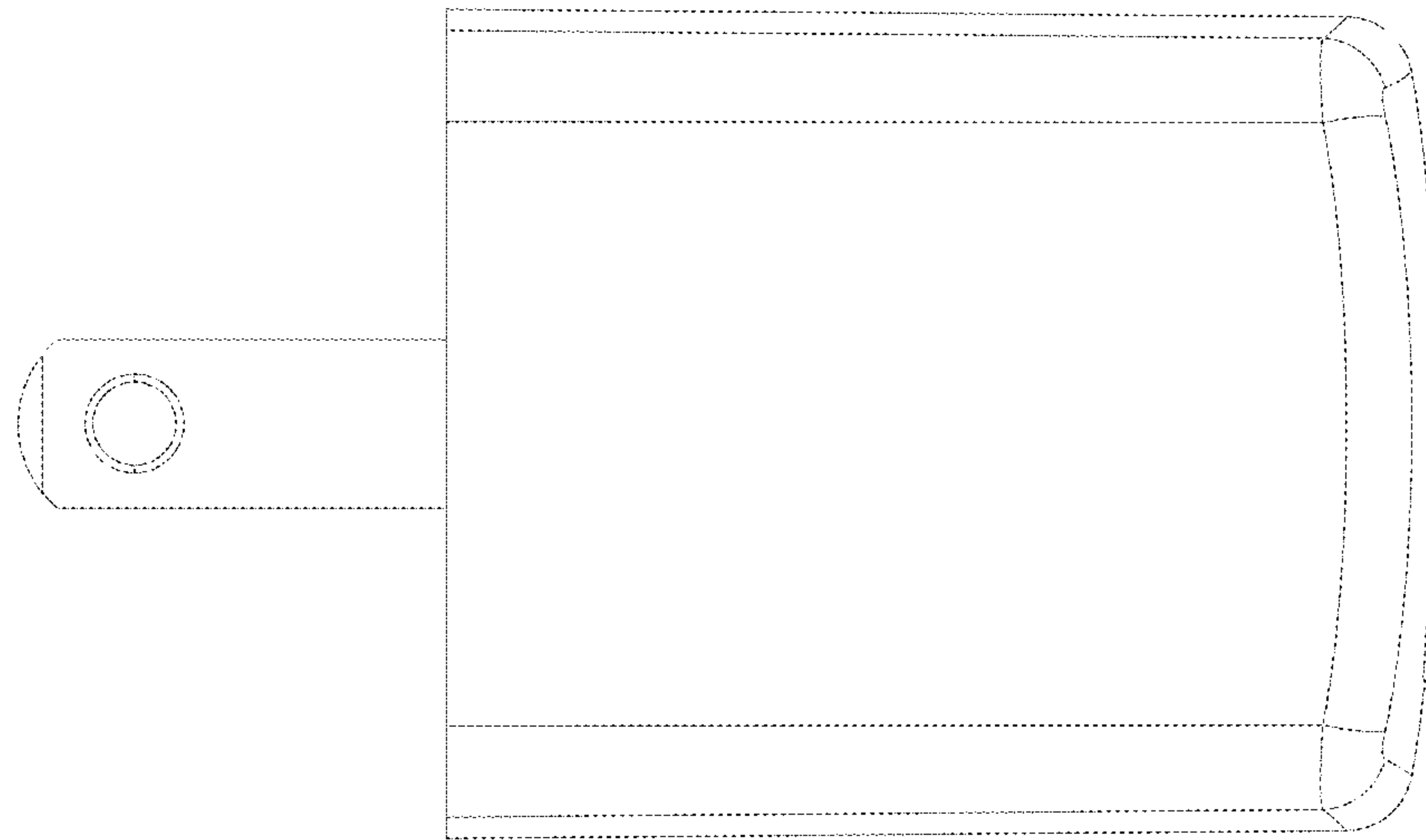


FIG. 3

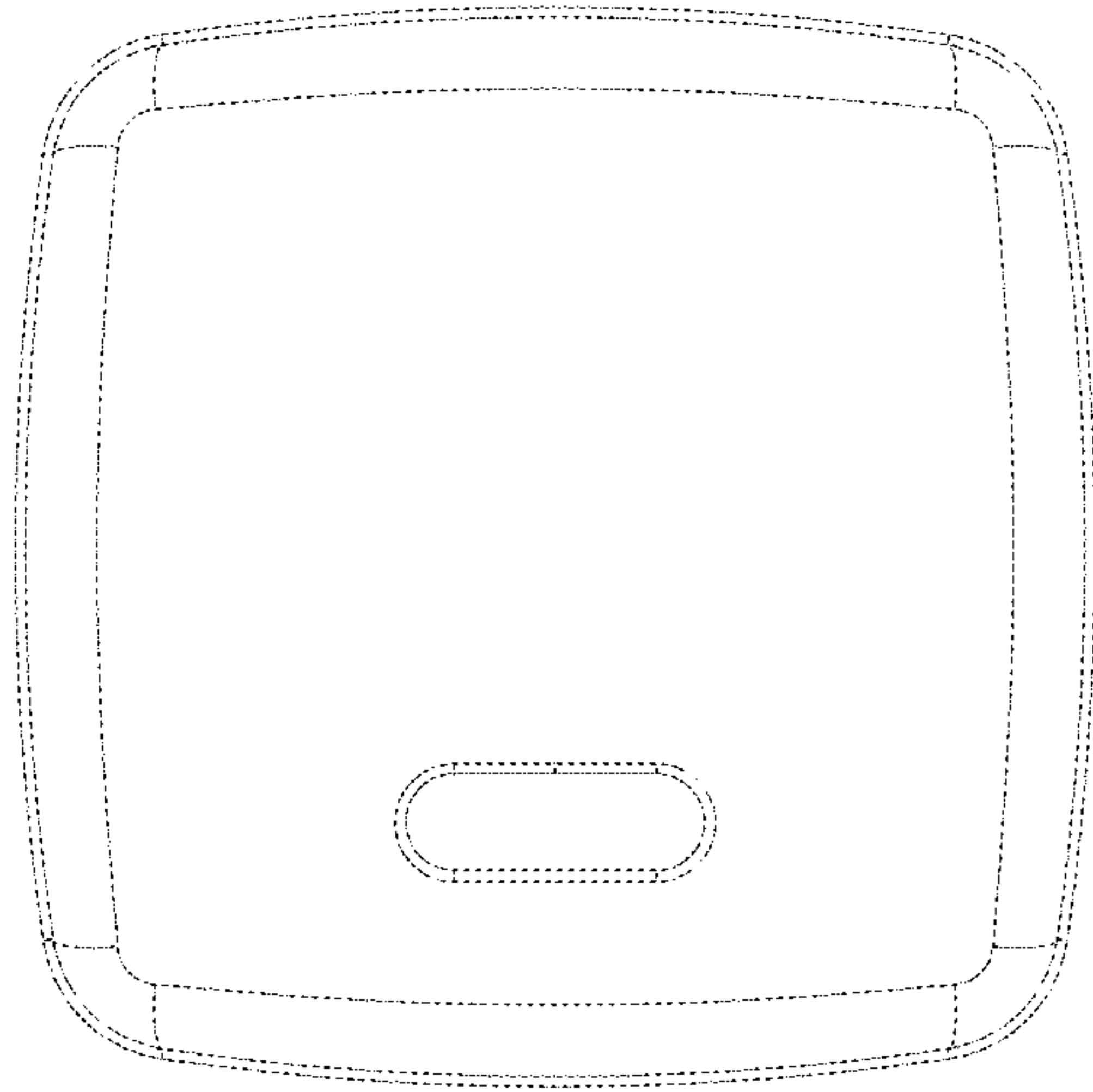


FIG. 4

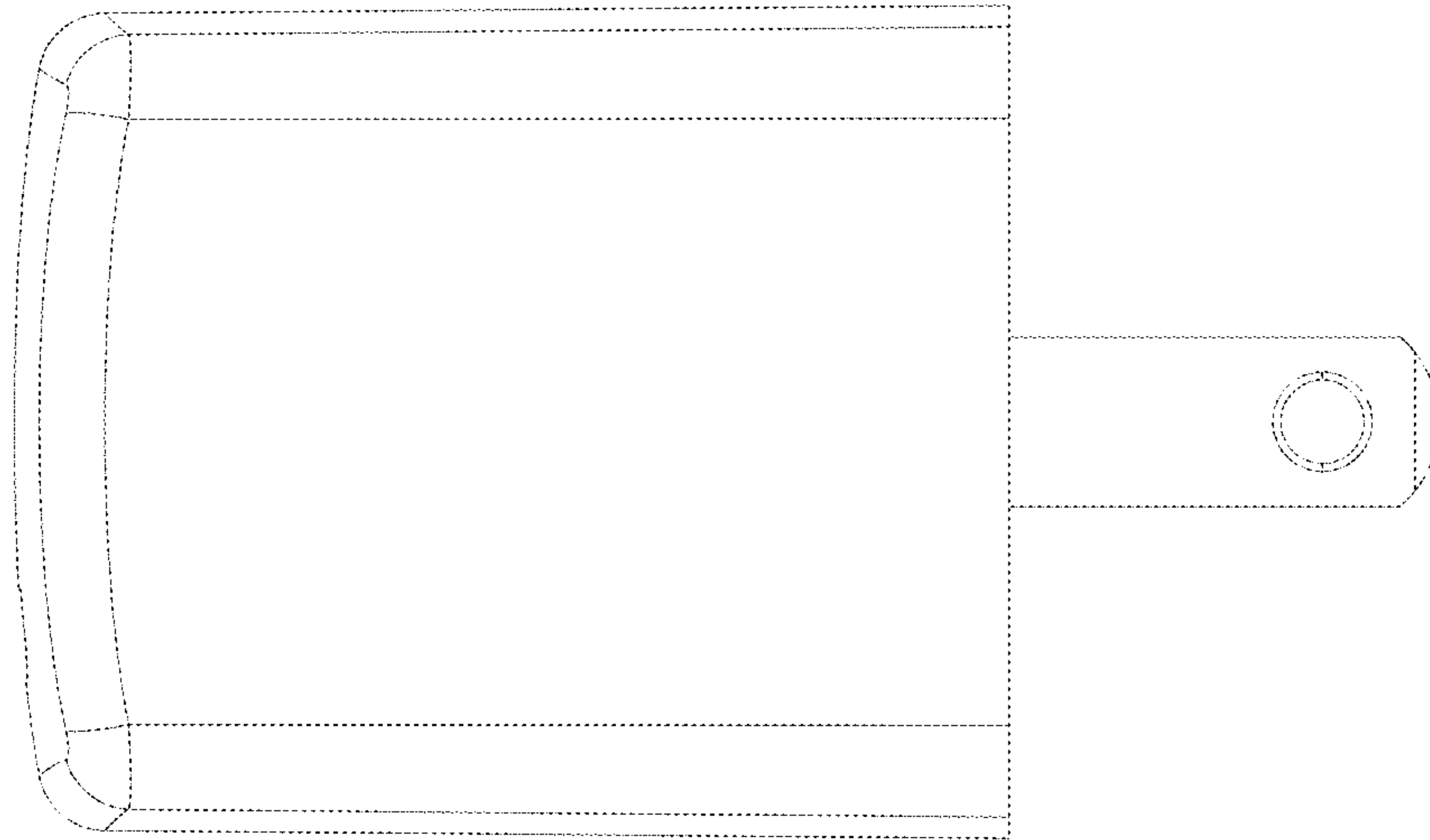


FIG. 5

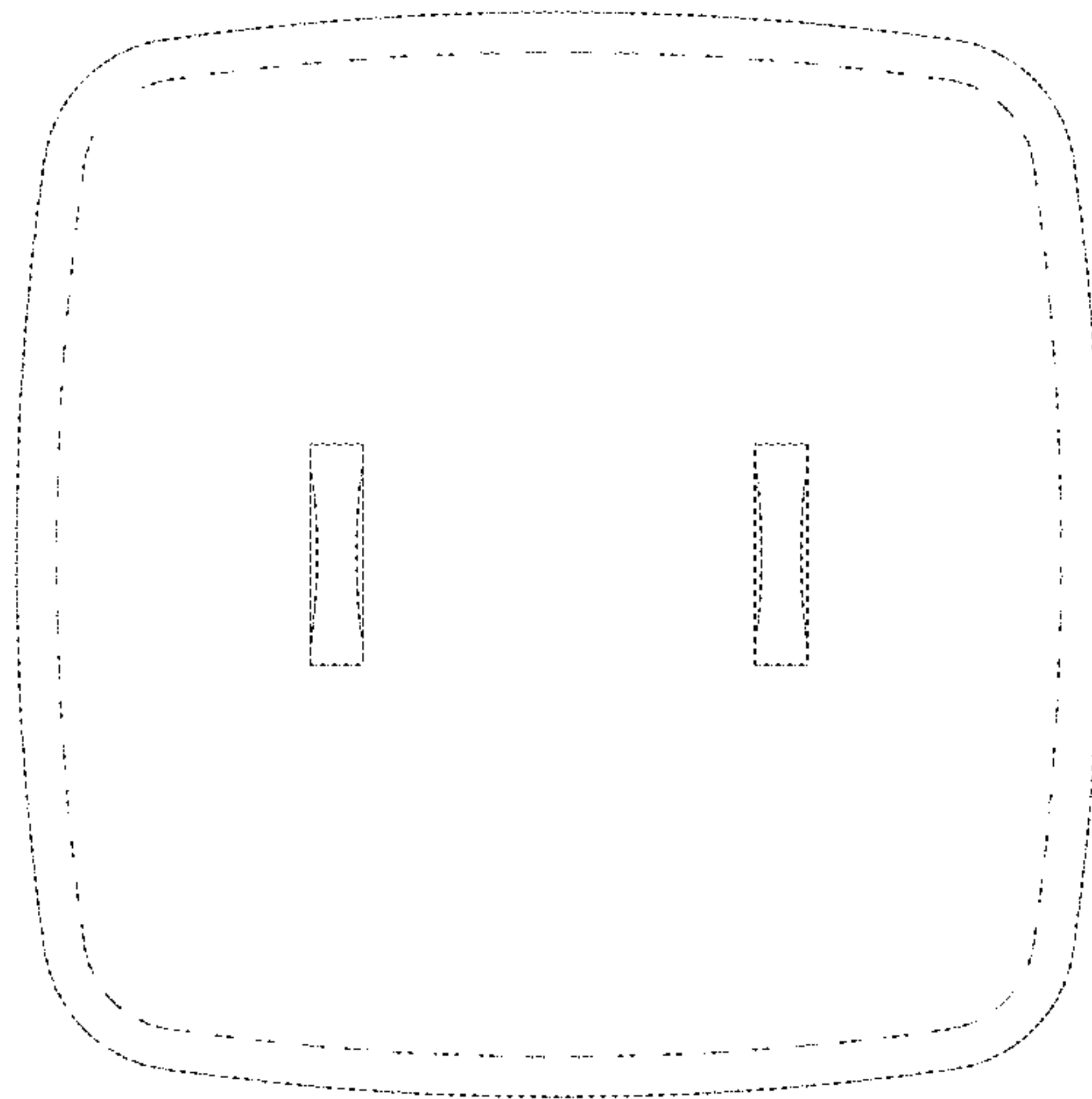


FIG. 6

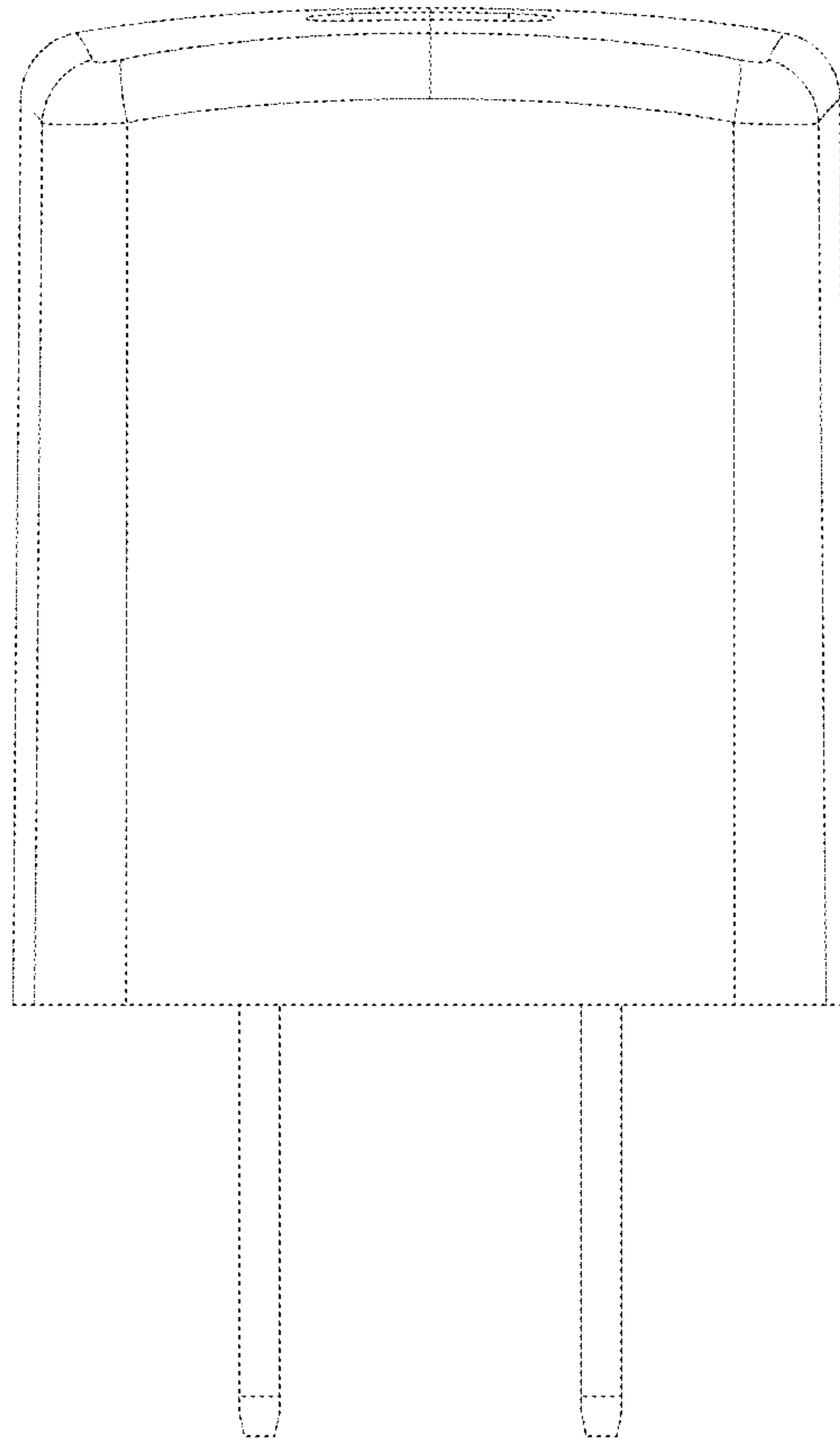


FIG. 7