



US00D942381S

(12) **United States Design Patent** (10) **Patent No.:** **US D942,381 S**
Ruan (45) **Date of Patent:** **** Feb. 1, 2022**

(54) **BOX FOR STORING AND CHARGING CAMERA BATTERIES**

(71) Applicant: **Hu Ruan**, Shenzhen (CN)

(72) Inventor: **Hu Ruan**, Shenzhen (CN)

(**) Term: **15 Years**

(21) Appl. No.: **29/733,995**

(22) Filed: **May 8, 2020**

(51) **LOC (13) Cl.** **13-02**

(52) **U.S. Cl.**

USPC **D13/108**; D3/294

(58) **Field of Classification Search**

USPC D13/103, 107, 108, 110, 118, 119, 184,
D13/199; D3/201, 208, 218, 273, 274,
D3/294, 295, 296, 298; D9/414, 420,
D9/423, 430; D14/223, 251, 432;
D16/237, 242

CPC .. H02J 7/0044; A45C 2011/001; B65D 43/16;
H04R 1/1025

See application file for complete search history.

(56) **References Cited**

U.S. PATENT DOCUMENTS

D141,980 S *	8/1945	Holland et al.	D3/274
D316,330 S *	4/1991	Vicento	D3/295
D557,599 S *	12/2007	Liechtenstein	D9/420
D580,854 S *	11/2008	Kim	D13/108
D694,708 S *	12/2013	Kim	D13/108
D748,467 S *	2/2016	Angeloni	D9/420
D826,152 S *	8/2018	Christiansen	D13/108
D843,937 S *	3/2019	Xiao	D13/108
D897,678 S *	10/2020	Koh	D3/294
D904,755 S *	12/2020	Birger	D3/201
2011/0226643 A1 *	9/2011	Kates	G01N 33/48778 206/305
2020/0107099 A1 *	4/2020	McIntosh	H01F 7/02
2021/0029424 A1 *	1/2021	Wright	H04R 1/1091

OTHER PUBLICATIONS

“MAXCAM Battery Charger”. Found online Jul. 14, 2021 at amazon.com. Reference dated May 4, 2020. Retrieved from https://www.amazon.com/MAXCAM-Power-Triple-Battery-Charger/dp/B0881VNSXY/ref=asc_df_B0881VNSXY/. (Year: 2020).*
“Proby 3 Slots Multi-function Battery Charger”. Found online Jul. 15, 2021 at newegg.com. Reference dated Dec. 18, 2019. Retrieved from https://www.newegg.com/p/0ZK-08C1-042W2. (Year: 2019).*
“Sony True Wireless Headphones”. Found online Jul. 15, 2021 at amazon.com. Reference dated Jan. 20, 2020. Retrieved from https://www.amazon.com/Sony-WF-1000X-Canceling-Headphones-Isolating/dp/B08428PHWD. (Year: 2020).*

* cited by examiner

Primary Examiner — Kendra Leslie Hamilton
Assistant Examiner — Amanda Christensen

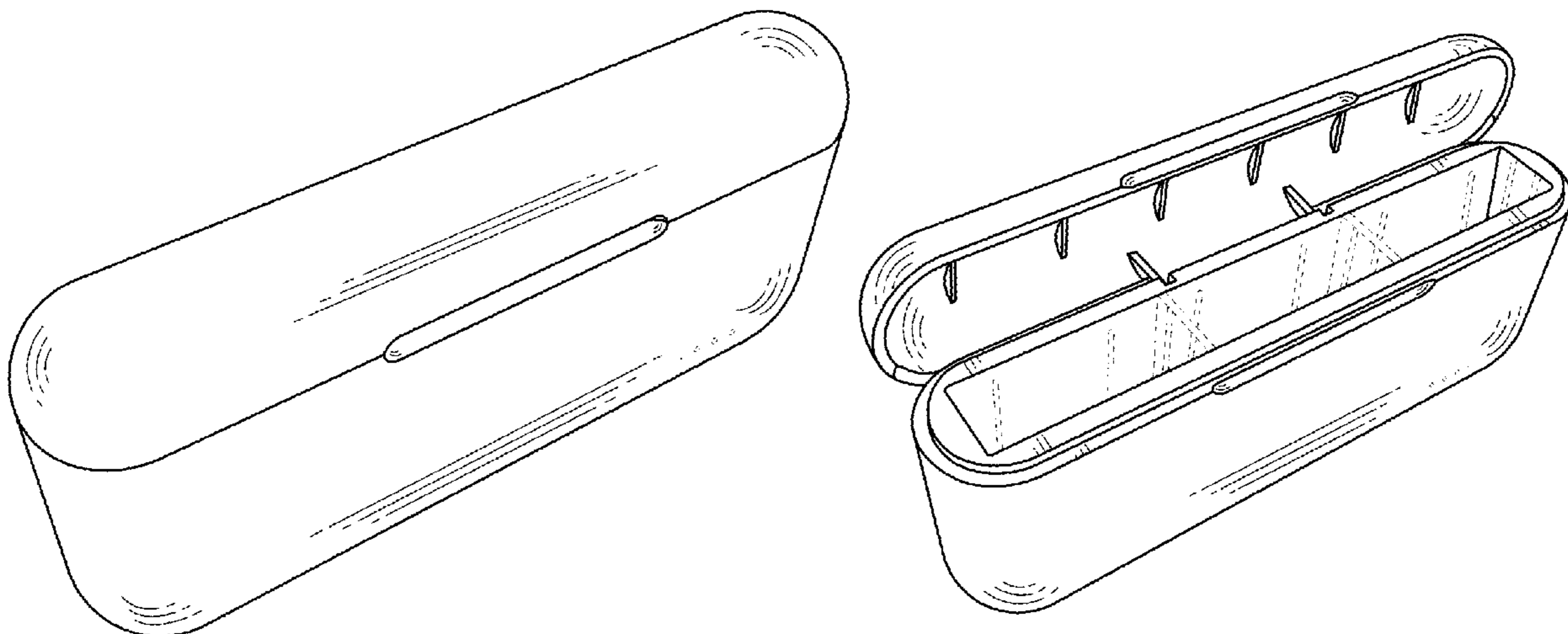
(57) **CLAIM**

The ornamental design for a box for storing and charging camera batteries, as shown and described.

DESCRIPTION

FIG. 1 is a top, front, right side perspective view of a box for storing and charging camera batteries, showing my new design closed and in a first configuration; FIG. 2 is a front elevational view thereof; FIG. 3 is a rear elevational view thereof; FIG. 4 is a left side elevational view thereof; FIG. 5 is a right side elevational view thereof; FIG. 6 is a top plan view thereof; FIG. 7 is a bottom plan view thereof; FIG. 8 is a top, front, right side perspective view of the box for storing and charging camera batteries, shown open and in a second configuration; and, FIG. 9 is a top plan view thereof. The broken lines in the drawings depict portions of the box for storing and charging camera batteries that form no part of the claimed design.

1 Claim, 9 Drawing Sheets



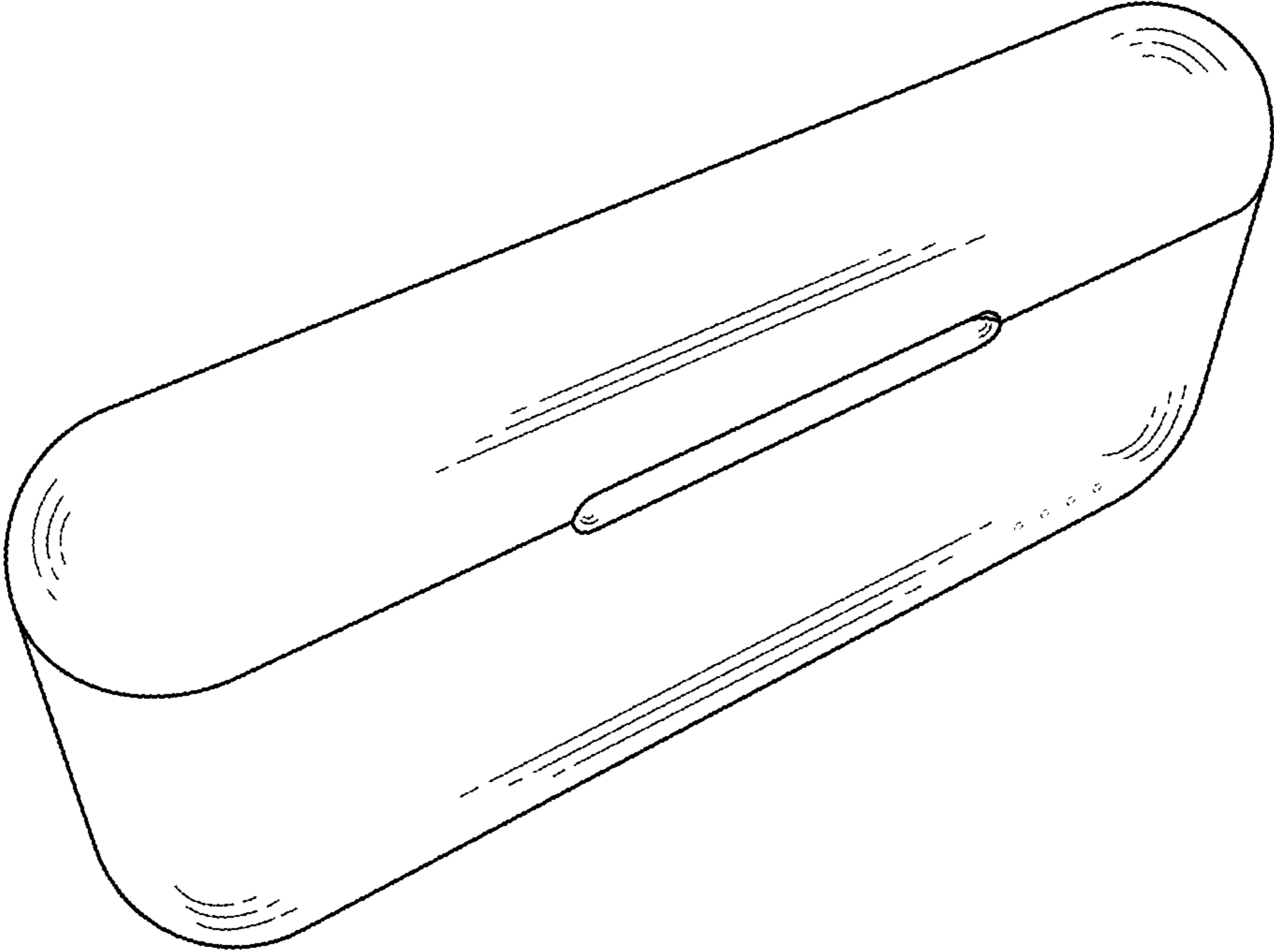


FIG. 1

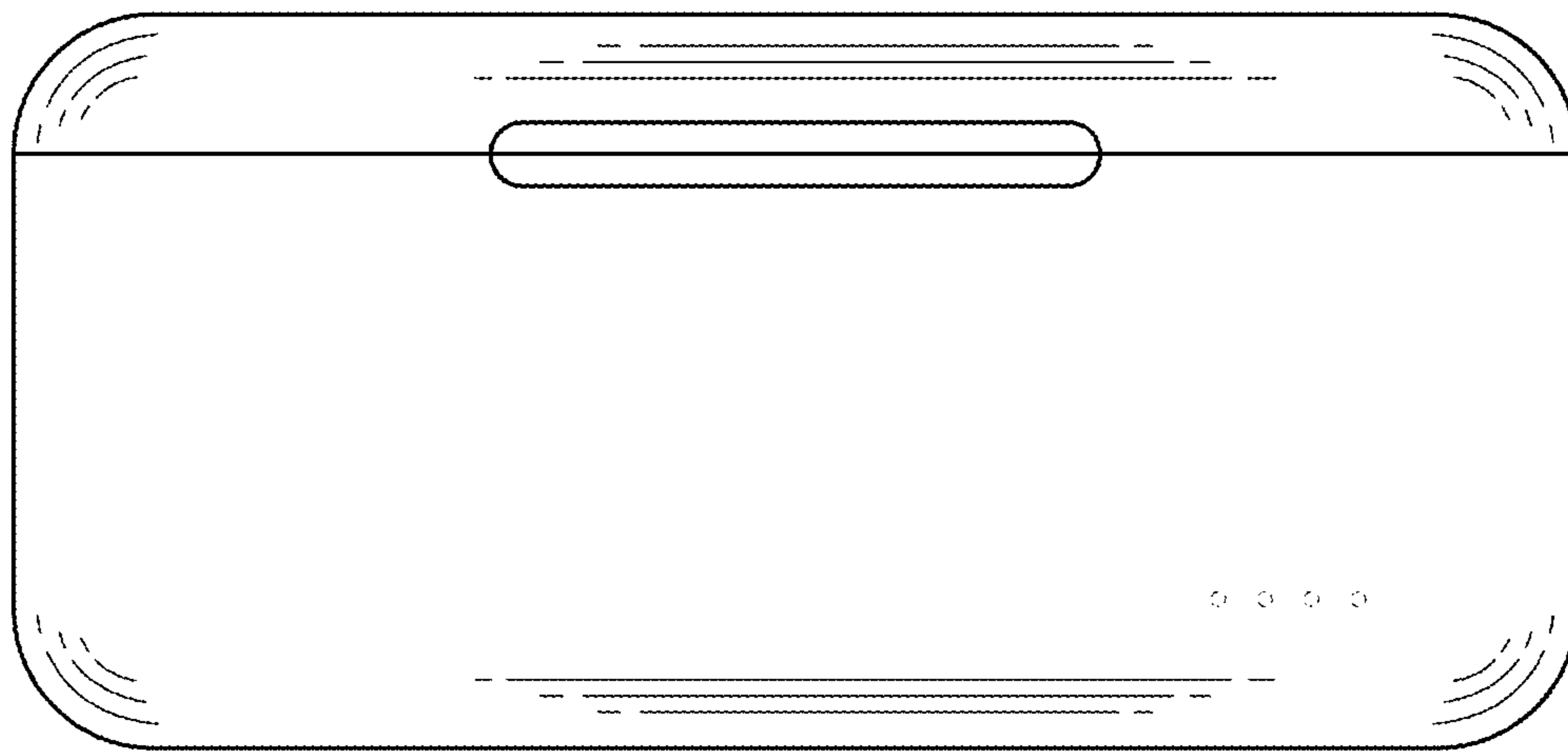


FIG. 2

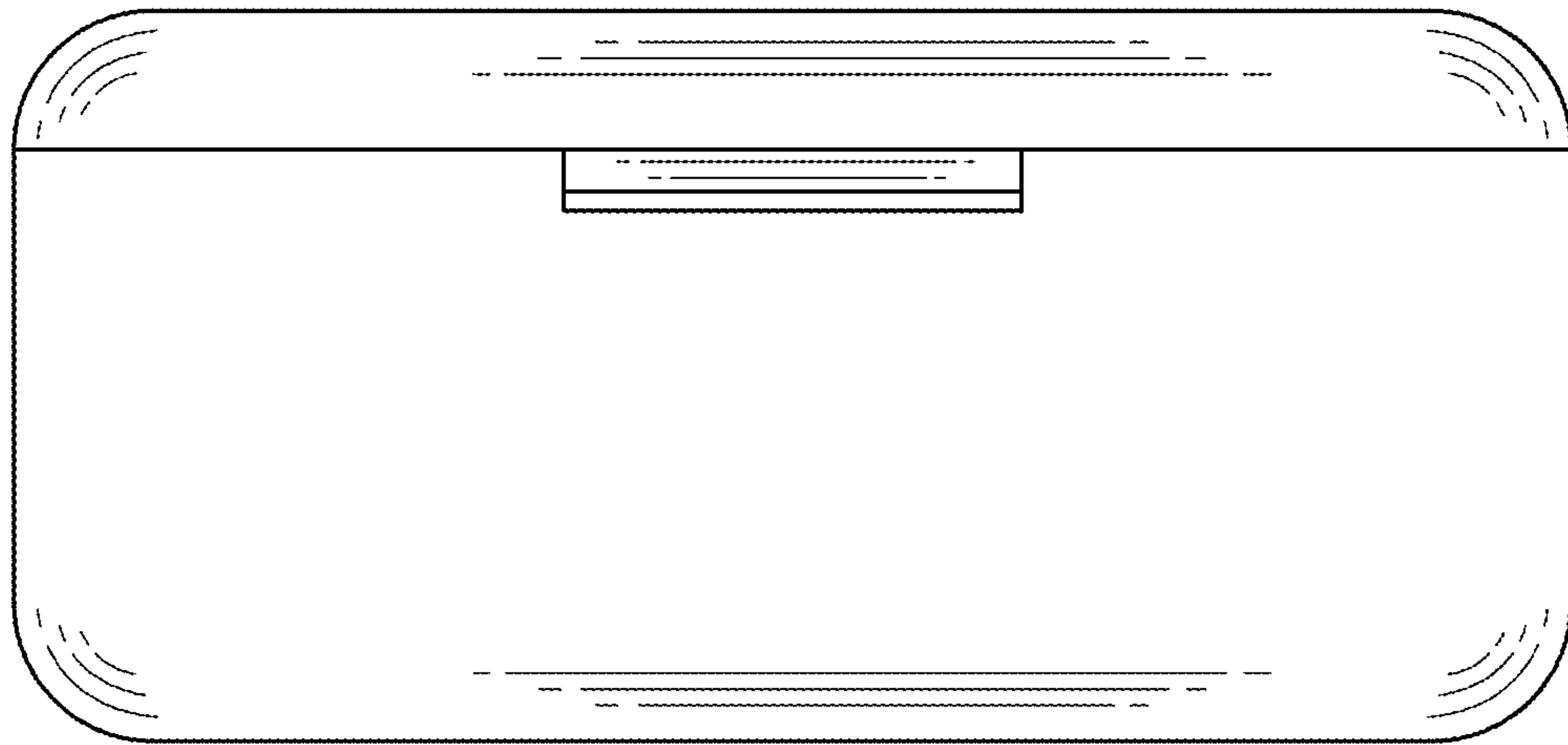


FIG. 3

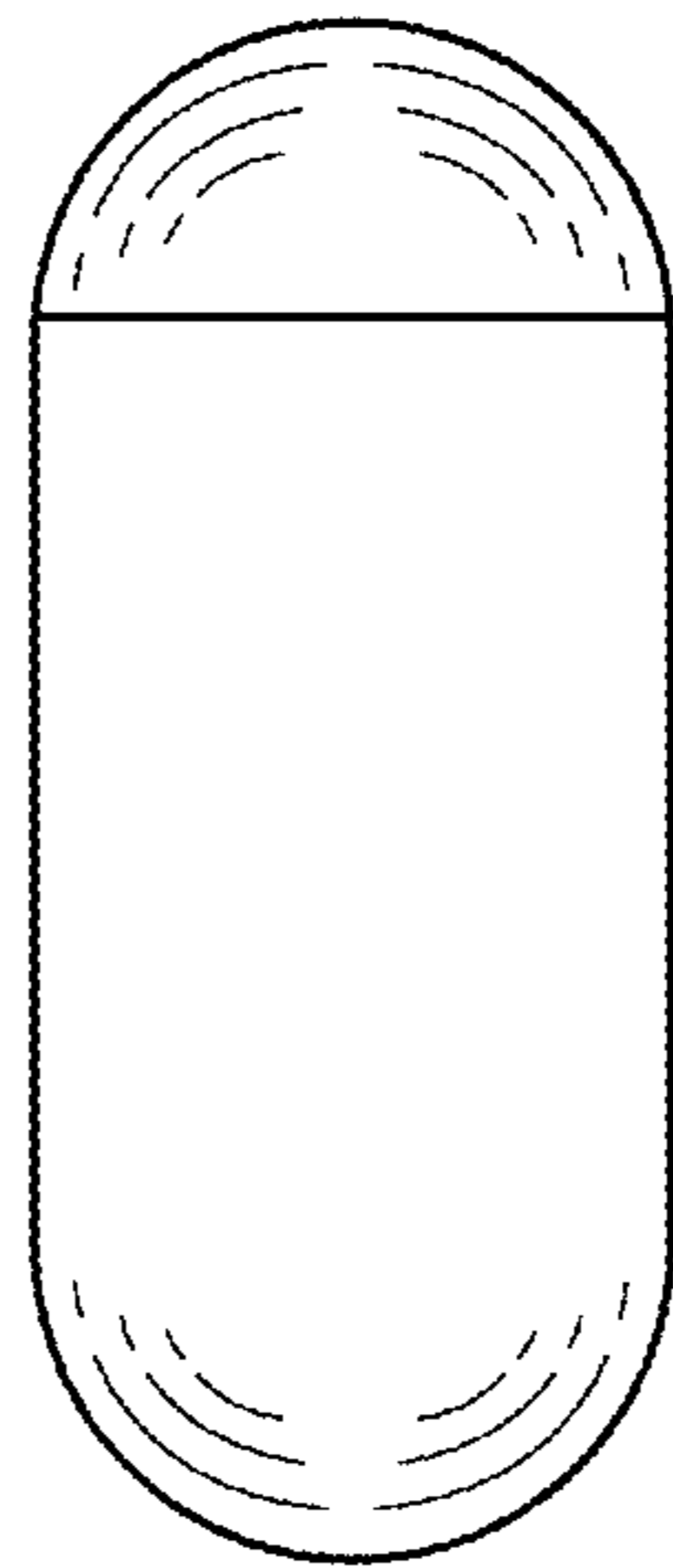


FIG. 4

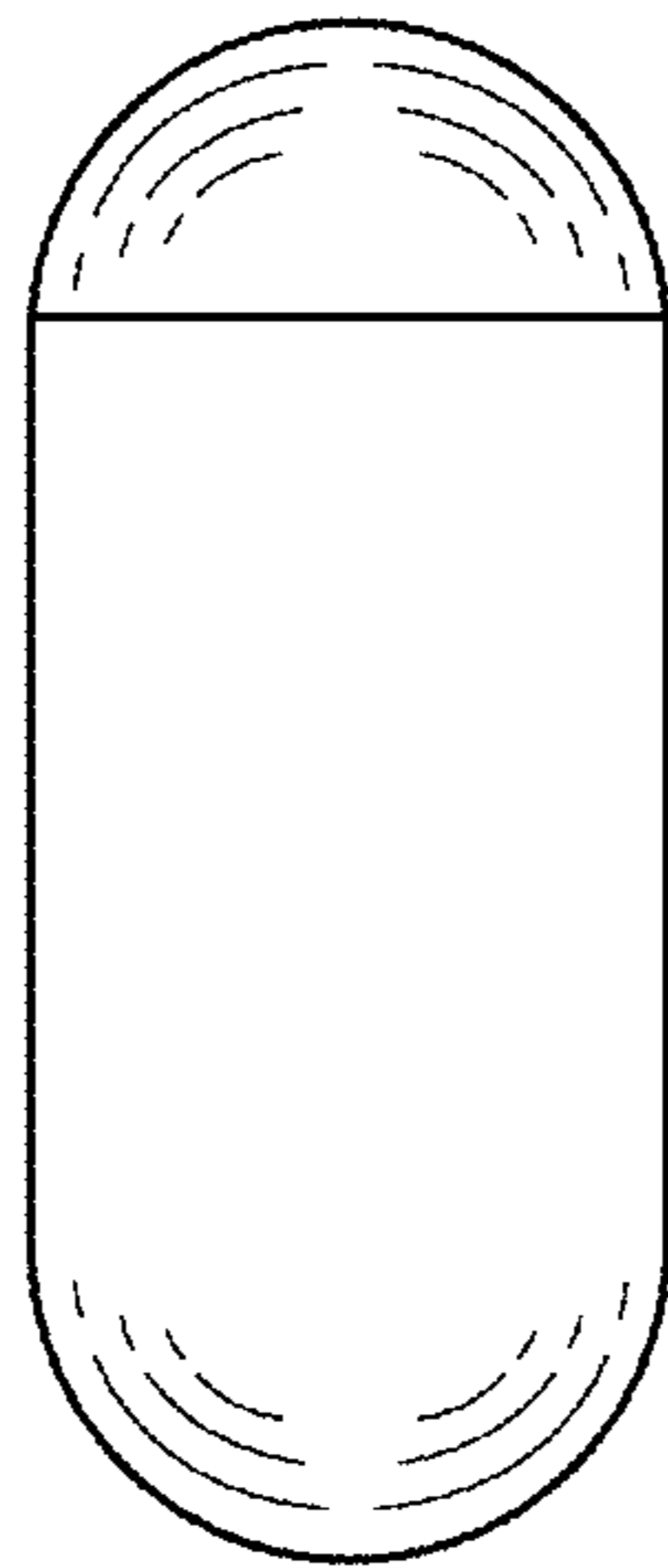


FIG. 5

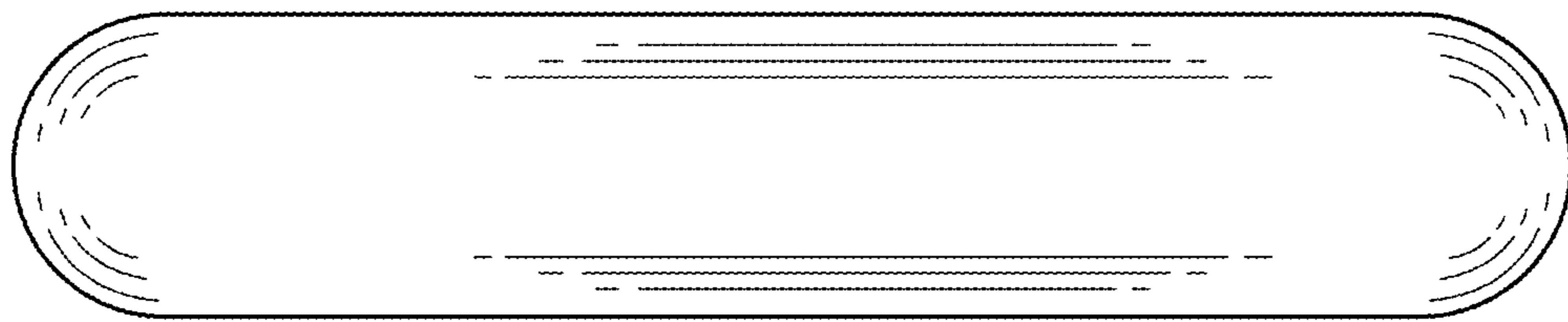


FIG. 6

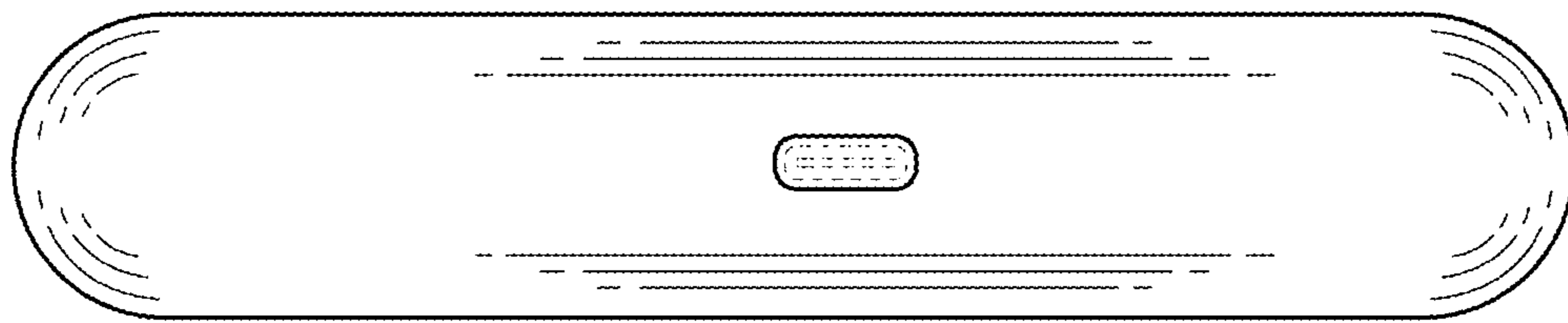


FIG. 7

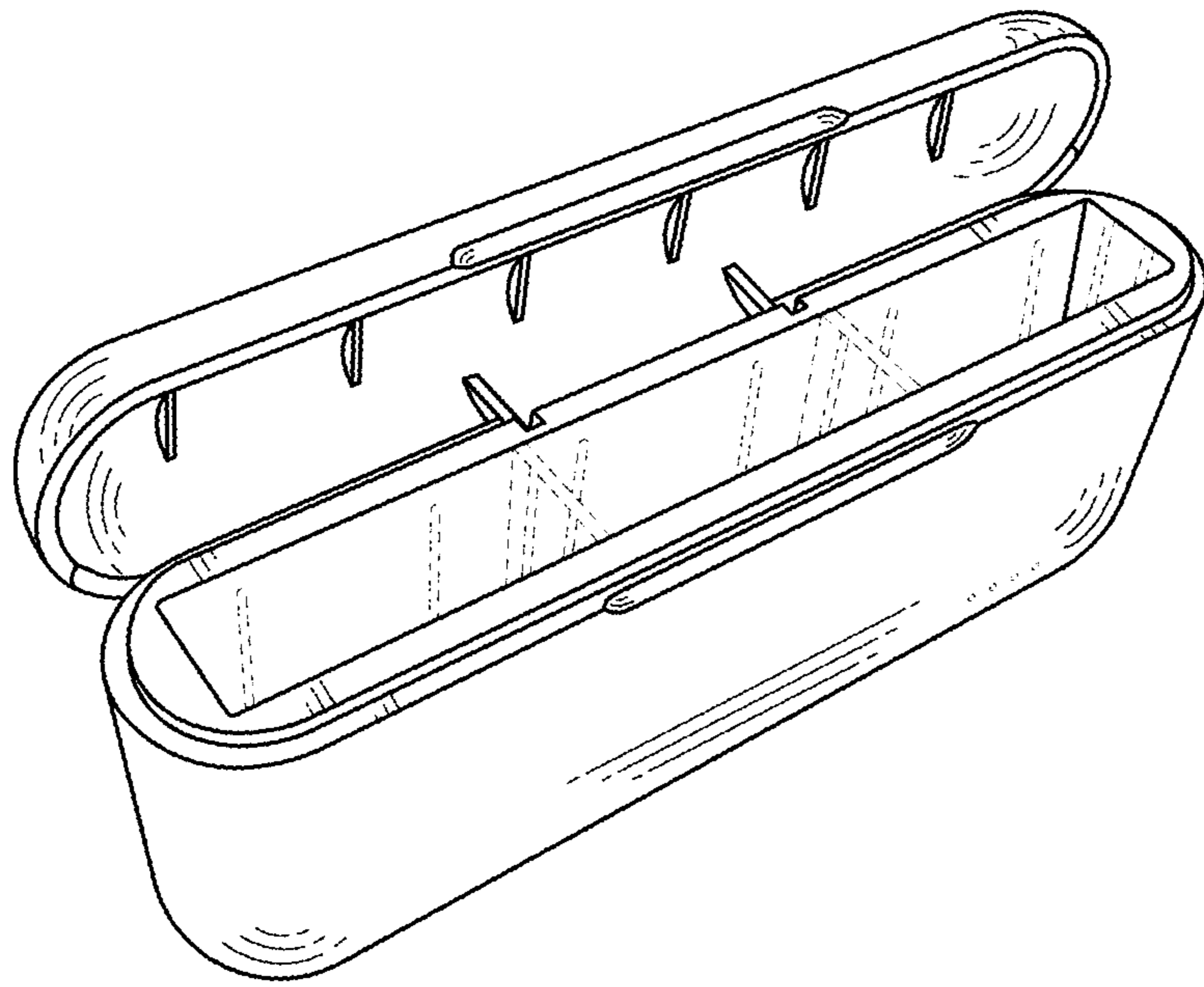


FIG. 8

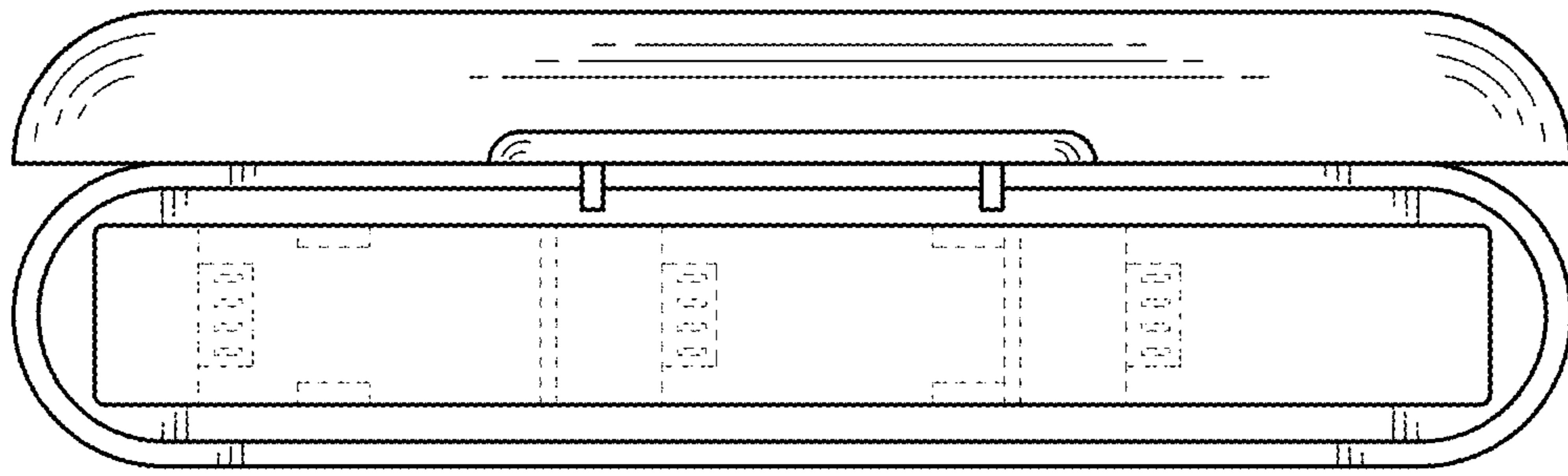


FIG. 9