



US00D942380S

(12) **United States Design Patent** (10) **Patent No.:** **US D942,380 S**
Lin et al. (45) **Date of Patent:** **** Feb. 1, 2022**

(54) **CHARGING STAND**

(71) Applicant: **Acer Incorporated**, New Taipei (TW)

(72) Inventors: **Li Lin**, New Taipei (TW); **Ker-Wei Lin**, New Taipei (TW); **Chun-Ta Chen**, New Taipei (TW); **Chun-Yu Chen**, New Taipei (TW); **Hao-Ming Chang**, New Taipei (TW); **Feng-Ming Liu**, New Taipei (TW)

(73) Assignee: **ACER INCORPORATED**

(**) Term: **15 Years**

(21) Appl. No.: **29/722,453**

(22) Filed: **Jan. 30, 2020**

(30) **Foreign Application Priority Data**

Aug. 6, 2019 (TW) 108304664

(51) **LOC (13) Cl.** **13-02**

(52) **U.S. Cl.**
USPC **D13/108**

(58) **Field of Classification Search**
USPC D13/103, 107-110, 118-119, 184, 199;
D14/251, 253, 432, 434, 447; D6/682
CPC H02J 7/025; H02J 7/005; H02J 7/0026;
H02J 7/0042; H02J 7/0044; H02J 7/0045;
H02J 7/0013; H02J 7/0003; H02J 7/02;
H02J 50/10; H02J 50/12
See application file for complete search history.

(56) **References Cited**

U.S. PATENT DOCUMENTS

D552,081 S * 10/2007 Yano D13/110
D553,120 S * 10/2007 Yano D13/110
D640,699 S * 6/2011 McParland D14/434
D669,028 S * 10/2012 Ino D13/108

D706,561 S * 6/2014 Buller D6/682
D712,355 S * 9/2014 Nakamura D13/118
D775,078 S * 12/2016 Peng D13/137.2
D798,594 S * 10/2017 Boler D3/273
D802,529 S * 11/2017 Andersson D13/108
D867,332 S * 11/2019 Xiao D14/209.1
D877,069 S * 3/2020 Kern D13/108
D908,619 S * 1/2021 Chen D13/108
2019/0319476 A1* 10/2019 Hou F16B 2/22

* cited by examiner

Primary Examiner — Rosemary K Tarcza

(74) *Attorney, Agent, or Firm* — JCIPRNET

(57) **CLAIM**

The ornamental design for a charging stand, as shown and described.

DESCRIPTION

FIG. 1 is a perspective view of a charging stand showing our new design;

FIG. 2 is a front view thereof;

FIG. 3 is a rear view thereof;

FIG. 4 is a left side view thereof;

FIG. 5 is a right side view thereof;

FIG. 6 is a top view thereof;

FIG. 7 is a bottom view thereof;

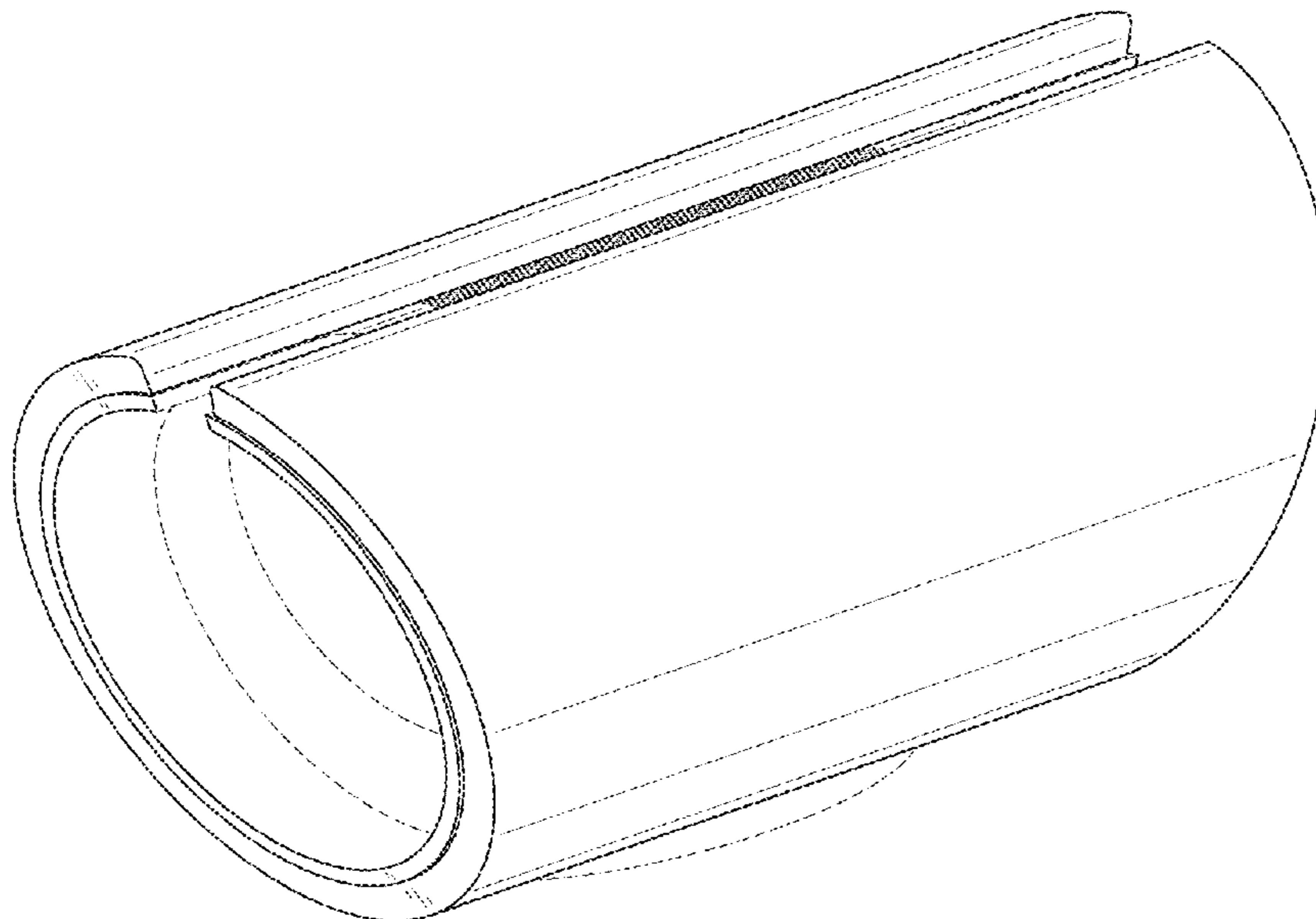
FIG. 8 is a cross-sectional view taken along line 8-8 in FIG. 4;

FIG. 9 is an enlarged view of the indicated portion of FIG. 8; and,

FIG. 10 is a perspective view thereof with the headphone mounted.

The dashed broken lines illustrate portions of the charging stand that form no part of the claimed design. The dashed broken lines showing a headphone in FIG. 10 are for the purpose of illustrating environmental structure, and form no part of the claimed design.

1 Claim, 7 Drawing Sheets



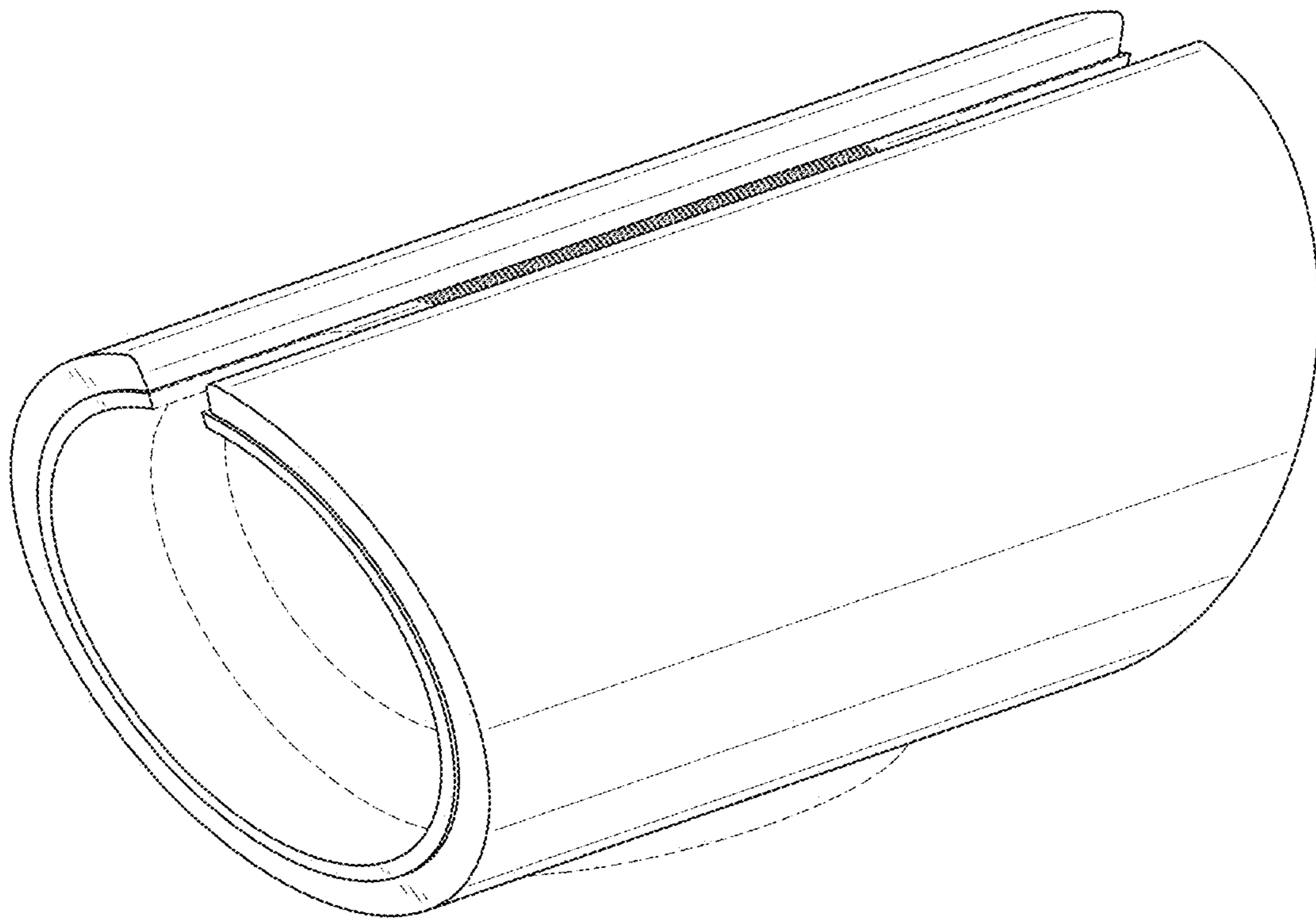


FIG. 1

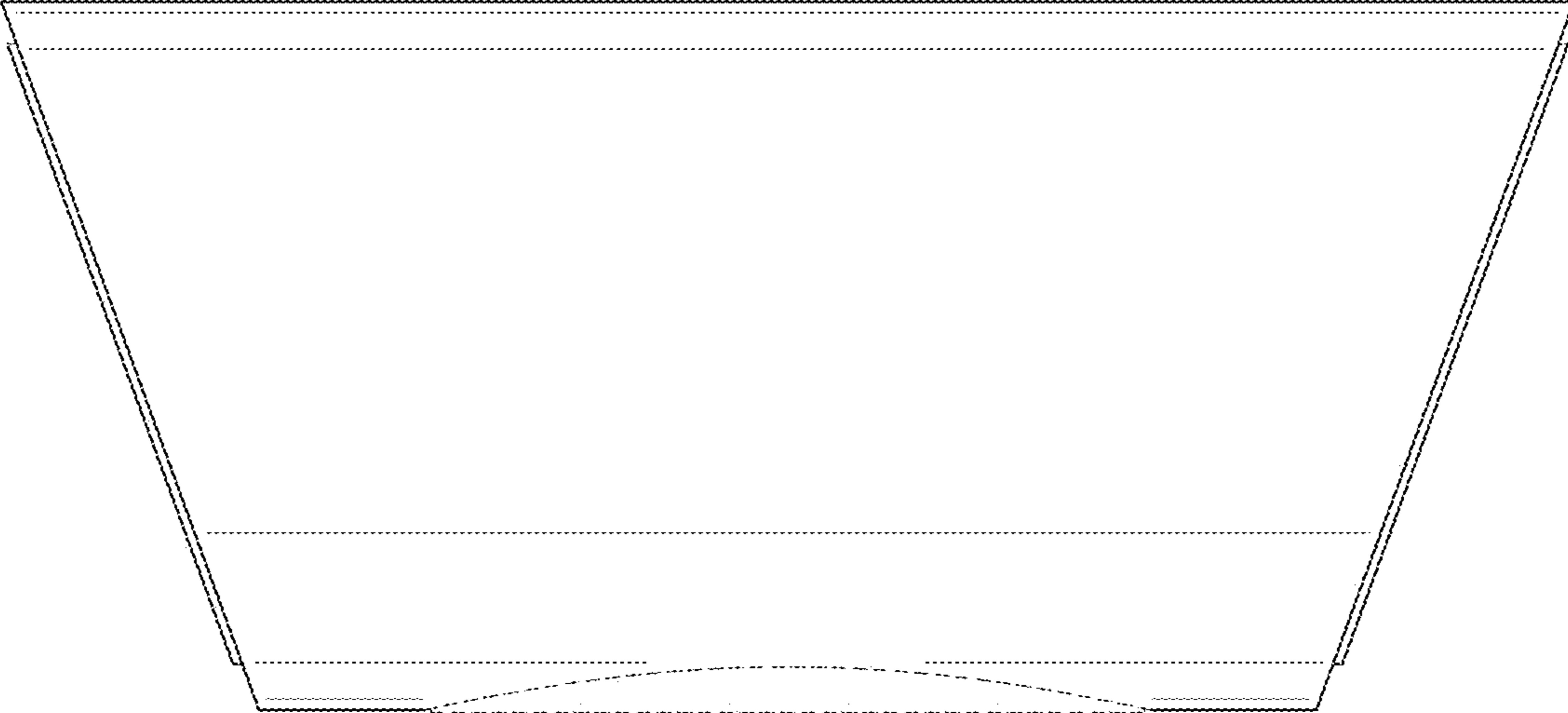


FIG. 2



FIG. 3

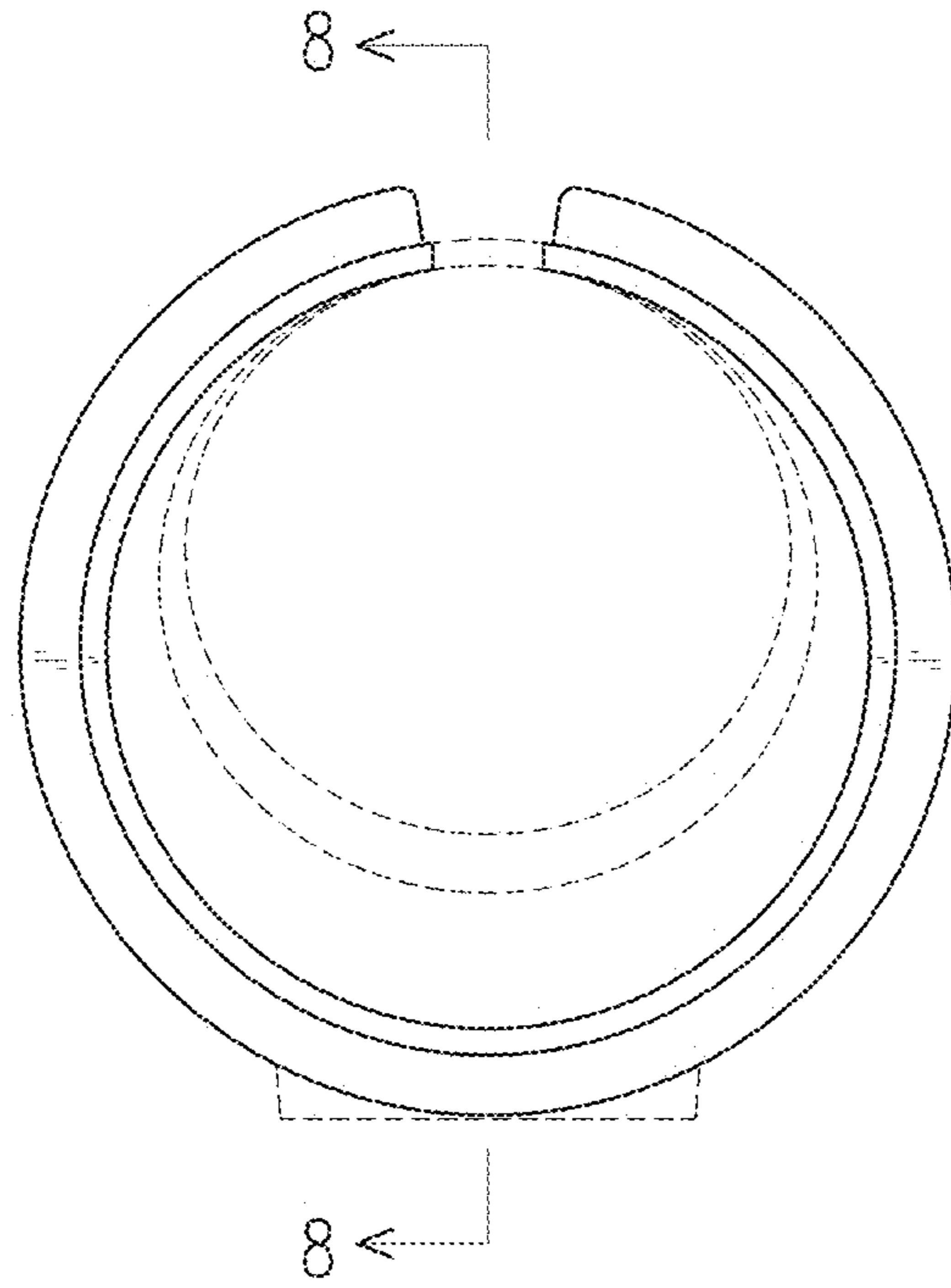


FIG. 4

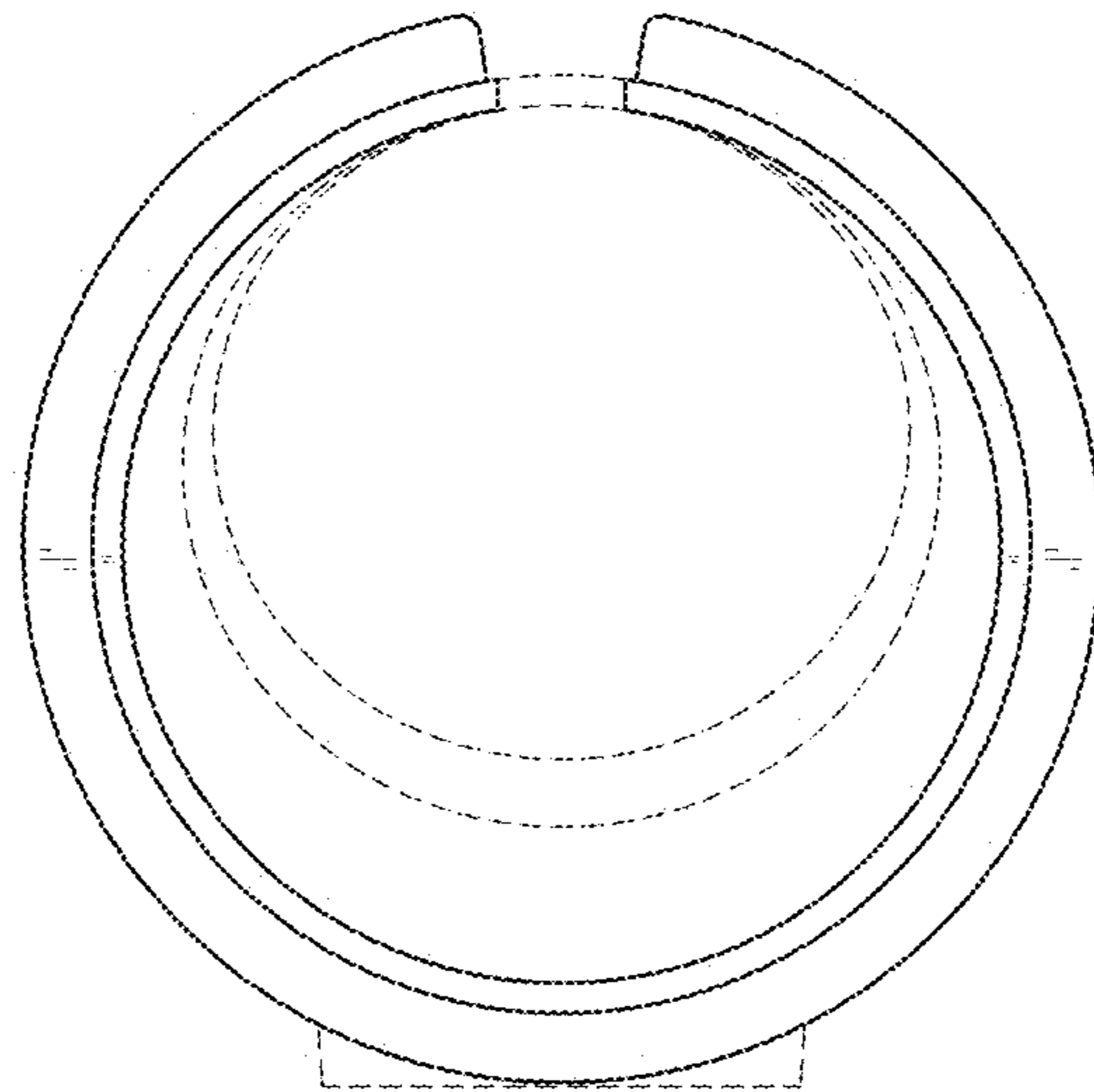


FIG. 5

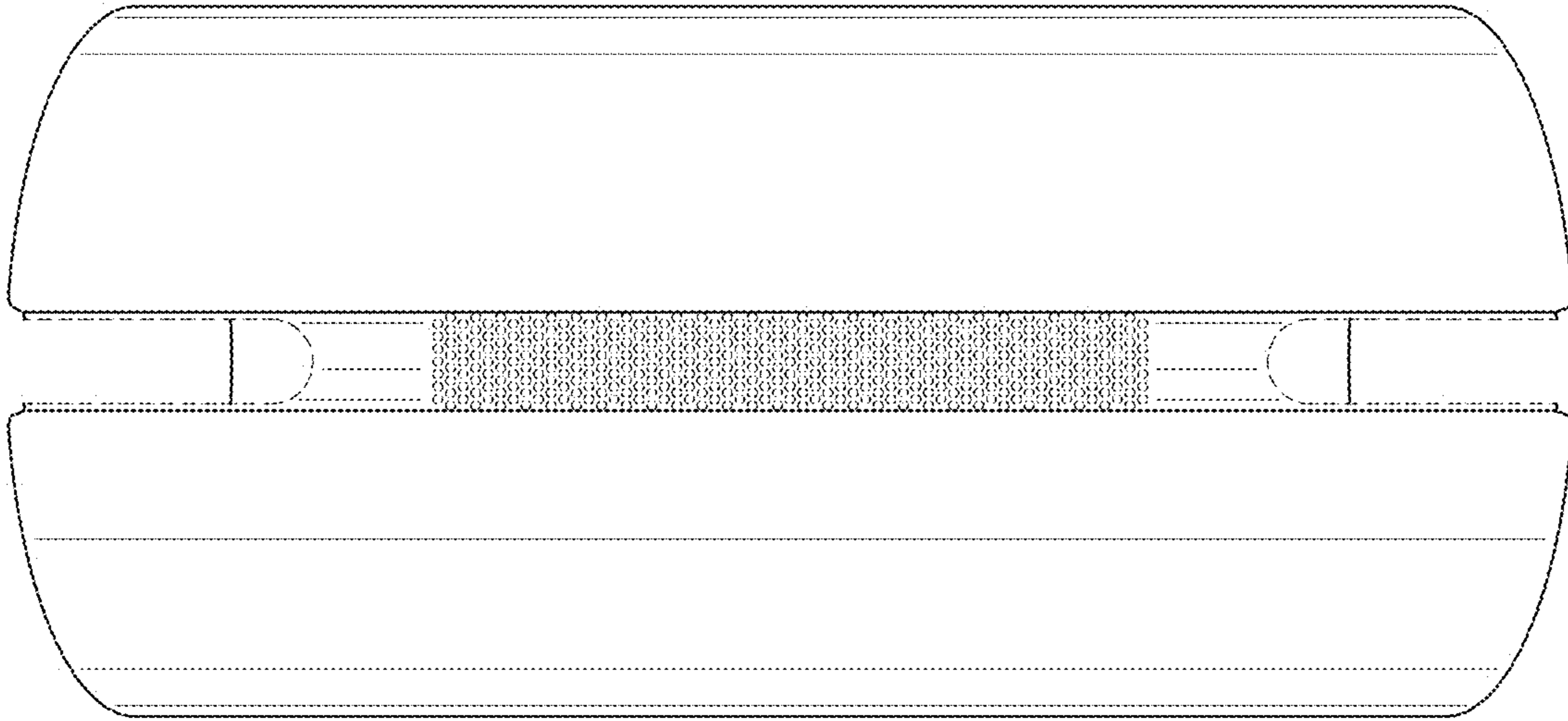


FIG. 6

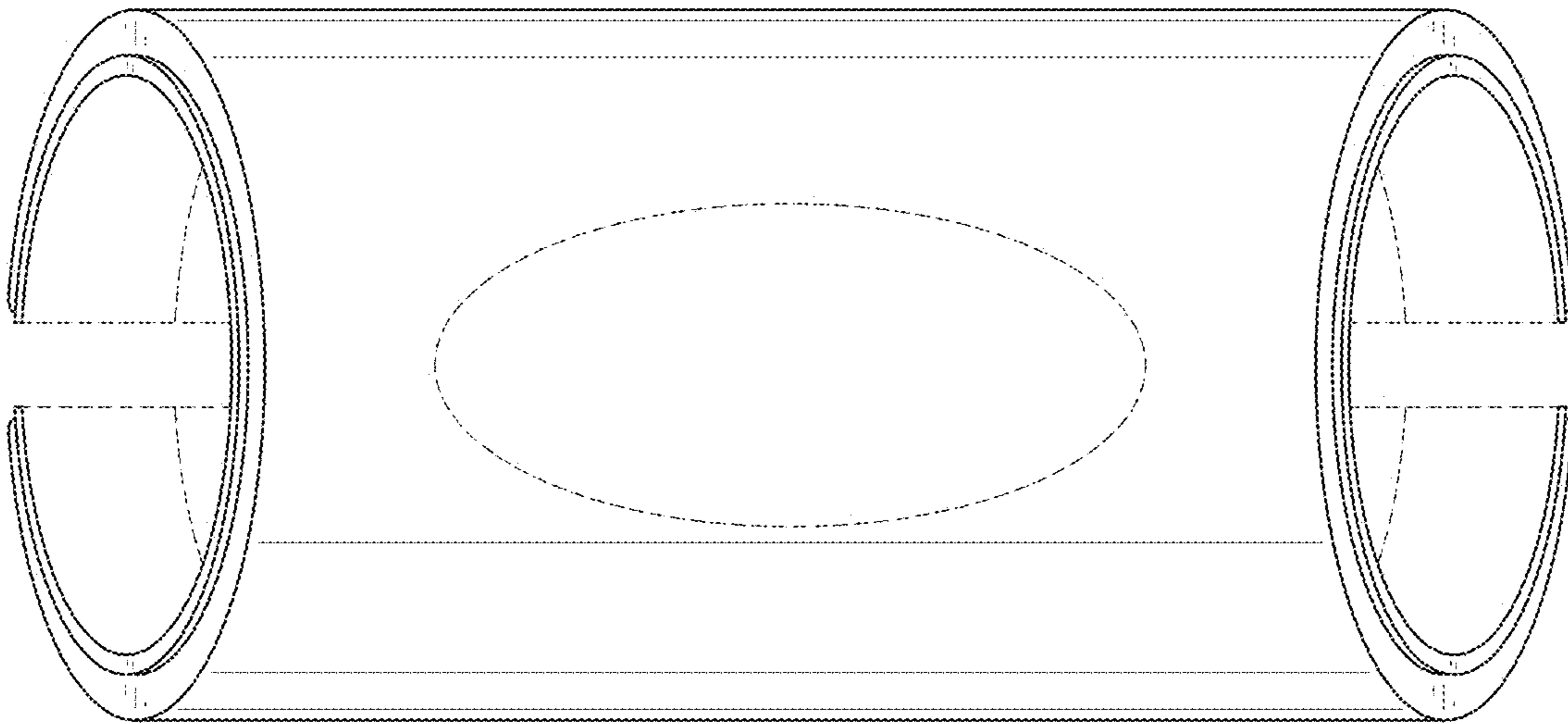


FIG. 7

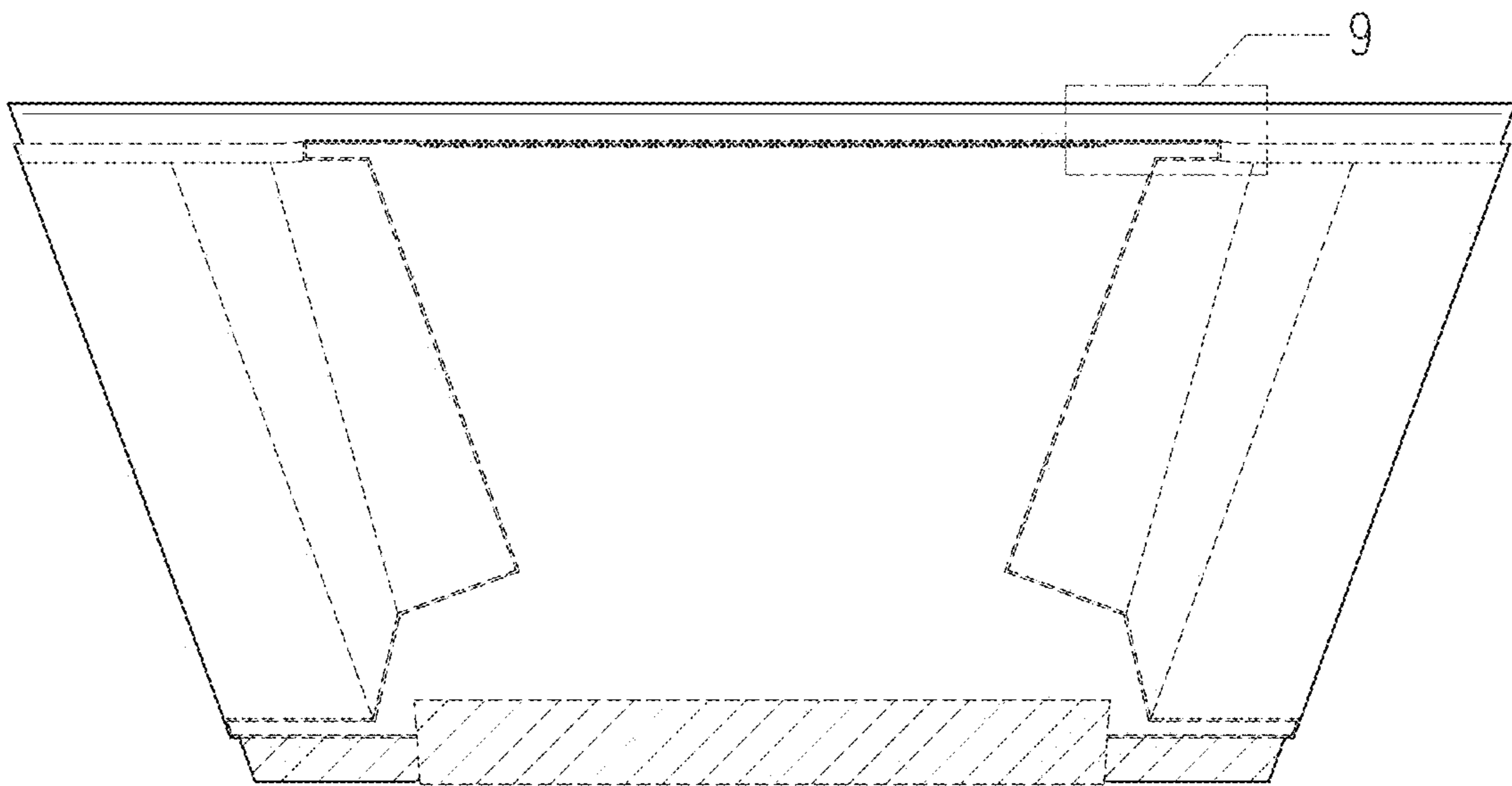


FIG. 8

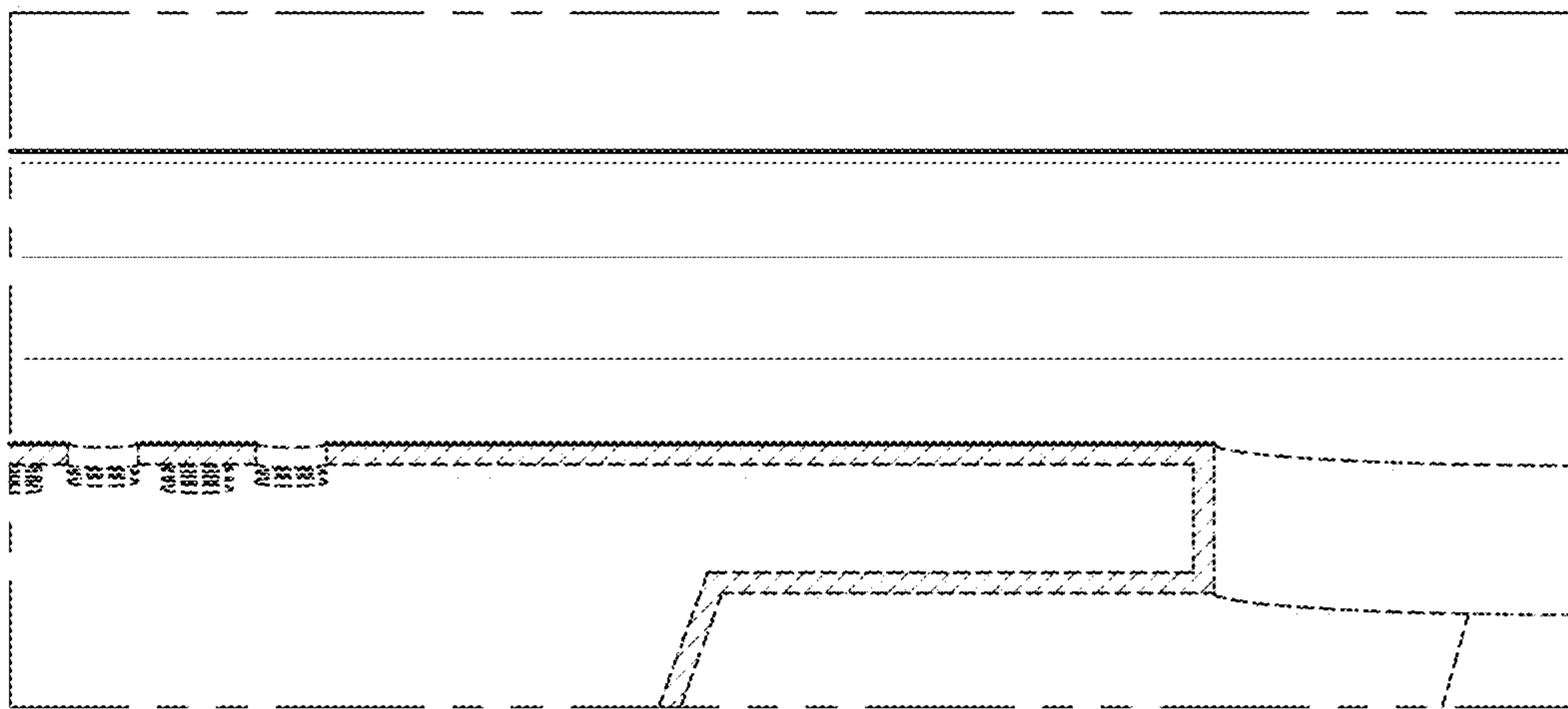


FIG. 9

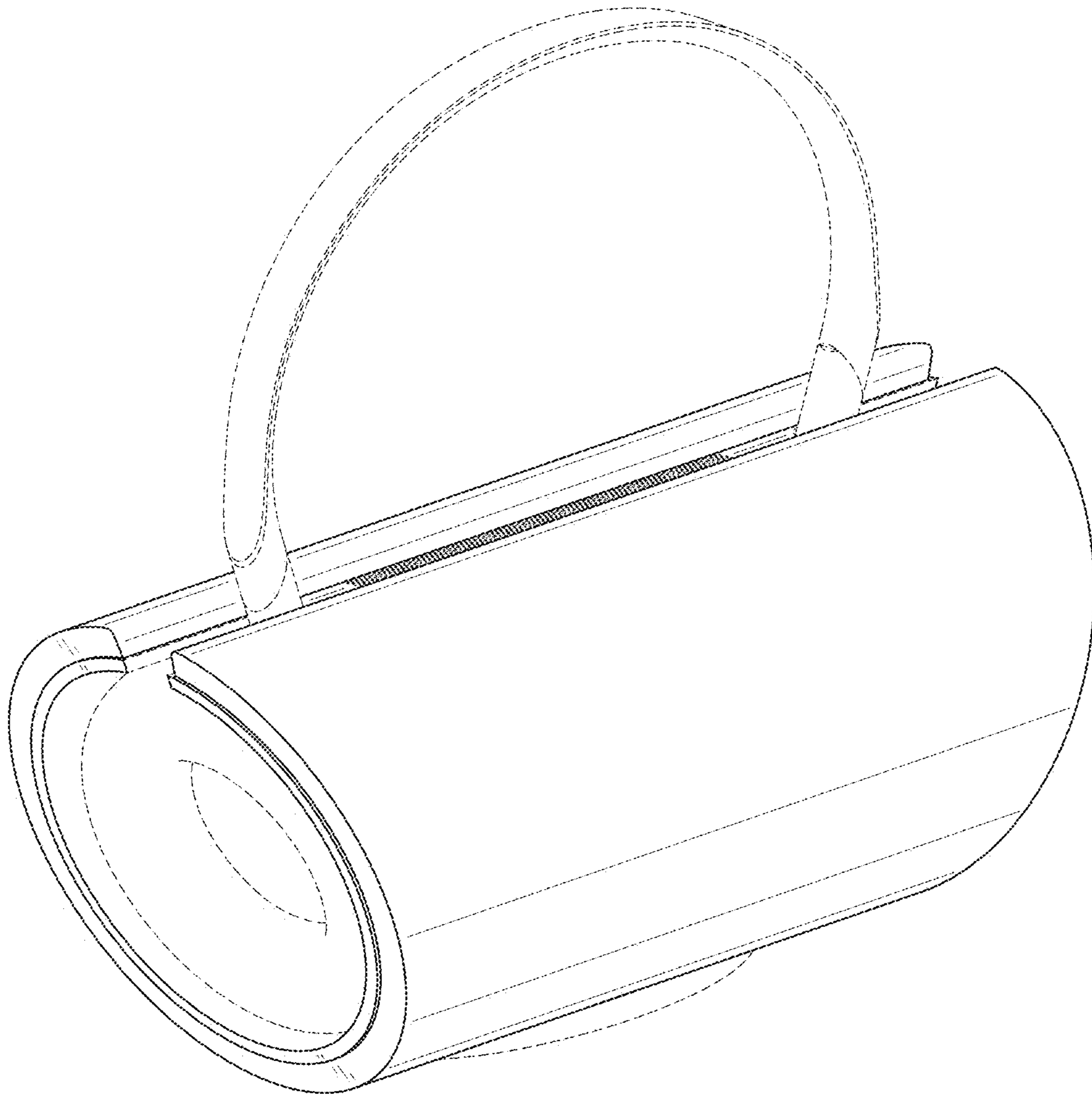


FIG. 10

UNITED STATES PATENT AND TRADEMARK OFFICE
CERTIFICATE OF CORRECTION


PATENT NO. : D942,380 S
APPLICATION NO. : 29/722453
DATED : February 1, 2022
INVENTOR(S) : Li Lin et al.

Page 1 of 1

It is certified that error appears in the above-identified patent and that said Letters Patent is hereby corrected as shown below:

On the Title Page

Item (73) Assignee should be corrected to read: Acer Incorporated, New Taipei City (TW)

Signed and Sealed this
Seventeenth Day of May, 2022

Katherine Kelly Vidal
Director of the United States Patent and Trademark Office