



US00D942379S

(12) **United States Design Patent**  
**Lieblein**

(10) **Patent No.:** **US D942,379 S**

(45) **Date of Patent:** **\*\* Feb. 1, 2022**

(54) **CHARGER**

(71) Applicant: **CHARGETAB INC.**, Hampstead (CA)

(72) Inventor: **Mark Lieblein**, Hampstead (CA)

(73) Assignee: **CHARGETAB INC.**, Hampstead (CA)

(\*\*) Term: **15 Years**

(21) Appl. No.: **29/701,184**

(22) Filed: **Aug. 8, 2019**

(51) **LOC (13) Cl.** ..... **13-02**

(52) **U.S. Cl.**  
USPC ..... **D13/108**

(58) **Field of Classification Search**

USPC ..... D13/103, 107-110, 118, 119, 184, 199;  
D14/251, 253, 432, 434

CPC ..... Y02E 60/12; H02J 7/025; H02J 7/0042;  
H02J 7/0044; H02J 7/0045; H02J 7/0003;  
H02J 7/0027; H02J 7/0013; H02J 7/0054;  
H02J 7/00; H02J 3/32; H02J 3/008; H02J  
2001/008; H01F 38/14; H01R 13/6675;  
H01M 2/1022; H01M 2/1055; H01M  
10/44; H01M 10/46; H01M 10/425;  
B60R 16/03; B60L 11/1809; B60L  
11/1861; B60L 11/182

See application file for complete search history.

(56) **References Cited**

**U.S. PATENT DOCUMENTS**

D310,205 S	8/1990	Hedrington et al.	
D427,563 S	7/2000	Waldner	
D535,613 S	1/2007	Varalo et al.	
D556,678 S	12/2007	Weinstein et al.	
D598,375 S *	8/2009	Nomi	D13/108
8,054,042 B2	11/2011	Griffin, Jr. et al.	
D699,178 S	2/2014	Ashida et al.	
D700,137 S	2/2014	Ashida et al.	
D714,731 S	10/2014	Lee	
D723,459 S	3/2015	Dang et al.	

D727,259 S *	4/2015	Hwang	D13/108
D742,824 S	11/2015	Hsu	
D782,485 S	3/2017	Cai	
D783,526 S *	4/2017	Warren	D13/108
D812,562 S *	3/2018	Warren	D13/107
9,923,392 B2	3/2018	Weinstein et al.	
D822,598 S *	7/2018	Warren	D13/108
D850,372 S	6/2019	Kong et al.	
D864,206 S	10/2019	Wang	
D865,666 S	11/2019	Roberts	
D865,667 S *	11/2019	Roberts	D13/108
D865,668 S *	11/2019	Roberts	D13/108

(Continued)

**FOREIGN PATENT DOCUMENTS**

CN	302923879	8/2014
CN	303507684	12/2015

(Continued)

**OTHER PUBLICATIONS**

Jul. 7, 2018 ChargeTab™ on Instagram, 1 page.

*Primary Examiner* — Christy Nemeth

(74) *Attorney, Agent, or Firm* — Adsero IP

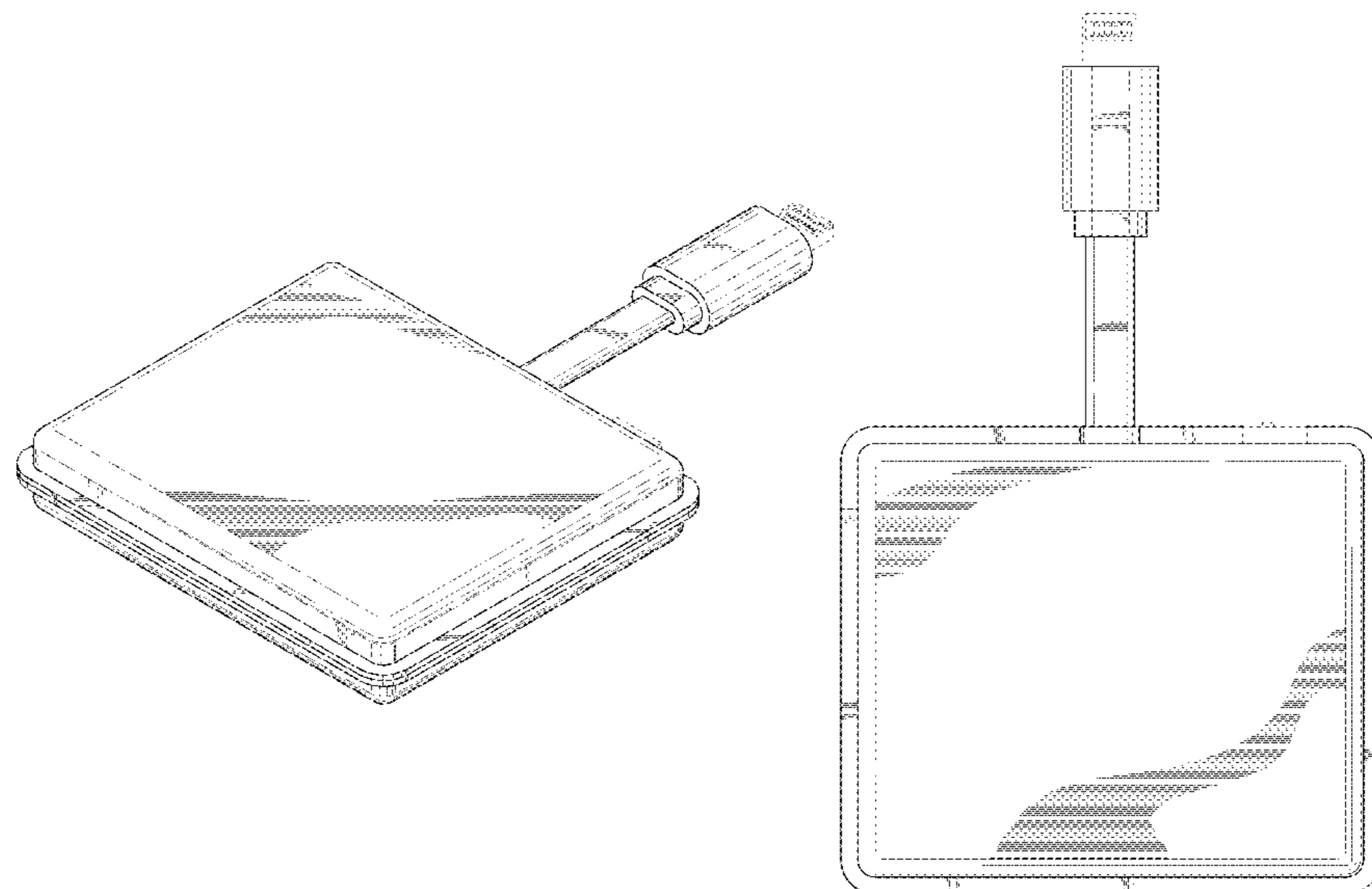
(57) **CLAIM**

I claim the ornamental design for a charger, as shown and described.

**DESCRIPTION**

FIG. 1 is a perspective view of a charger;  
FIG. 2 is a top view thereof;  
FIG. 3 is bottom view thereof;  
FIG. 4 is a front view thereof;  
FIG. 5 is a rear view thereof;  
FIG. 6 is a left side view thereof; and,  
FIG. 7 is a right side view thereof.  
The broken lines in the drawings are for illustrating portions of the charger that form no part of the design.

**1 Claim, 5 Drawing Sheets**



(56)

**References Cited**

U.S. PATENT DOCUMENTS

D871,328	S	*	12/2019	Yang .....	D13/108
D875,670	S		2/2020	Natsume et al.	
D884,616	S		5/2020	Li	
D888,658	S		6/2020	Urasini et al.	
10,742,048	B2		8/2020	Piercey et al.	
D894,828	S		9/2020	Chen et al.	
D897,287	S	*	9/2020	Georgiades .....	D13/108
D906,959	S		1/2021	Turksu et al.	
D909,386	S		2/2021	Turksu et al.	
D910,623	S		2/2021	Cueto et al.	
D911,346	S		2/2021	Turksu et al.	
D911,946	S	*	3/2021	Turksu .....	D13/108
D912,621	S	*	3/2021	Qiu .....	D13/108
D915,273	S	*	4/2021	Georgiades .....	D13/108
D920,906	S	*	6/2021	Qiu .....	D13/107
D922,316	S	*	6/2021	Starkey .....	D13/108
D922,317	S	*	6/2021	Starkey .....	D13/108
D922,947	S	*	6/2021	Wang .....	D13/108
2019/0393705	A1	*	12/2019	Lieblein .....	H02J 7/0045

FOREIGN PATENT DOCUMENTS

CN	303640344	4/2016
CN	304664459	6/2018
CN	304847937	10/2018
KR	300985651.0000	12/2018

\* cited by examiner

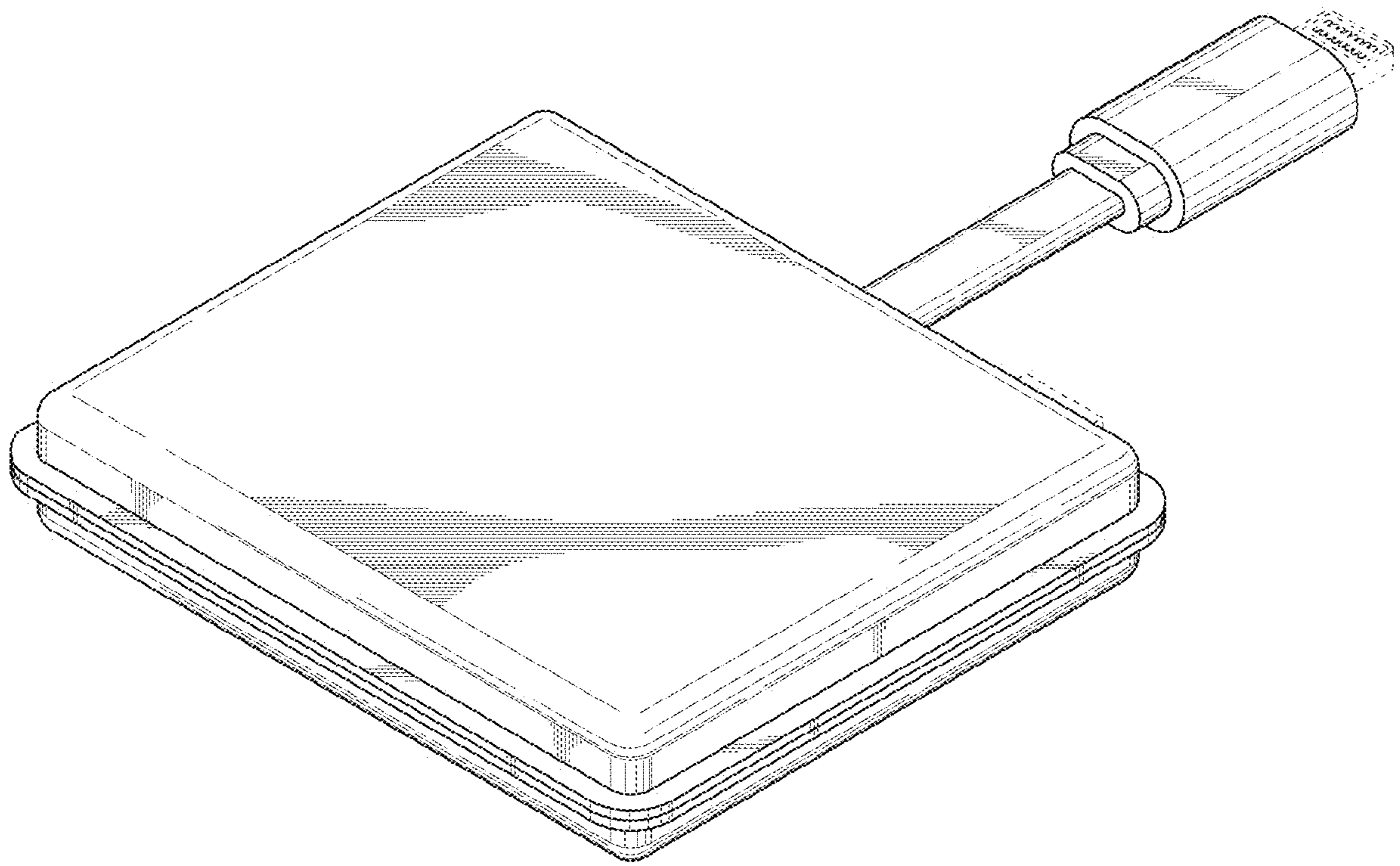


FIG. 1

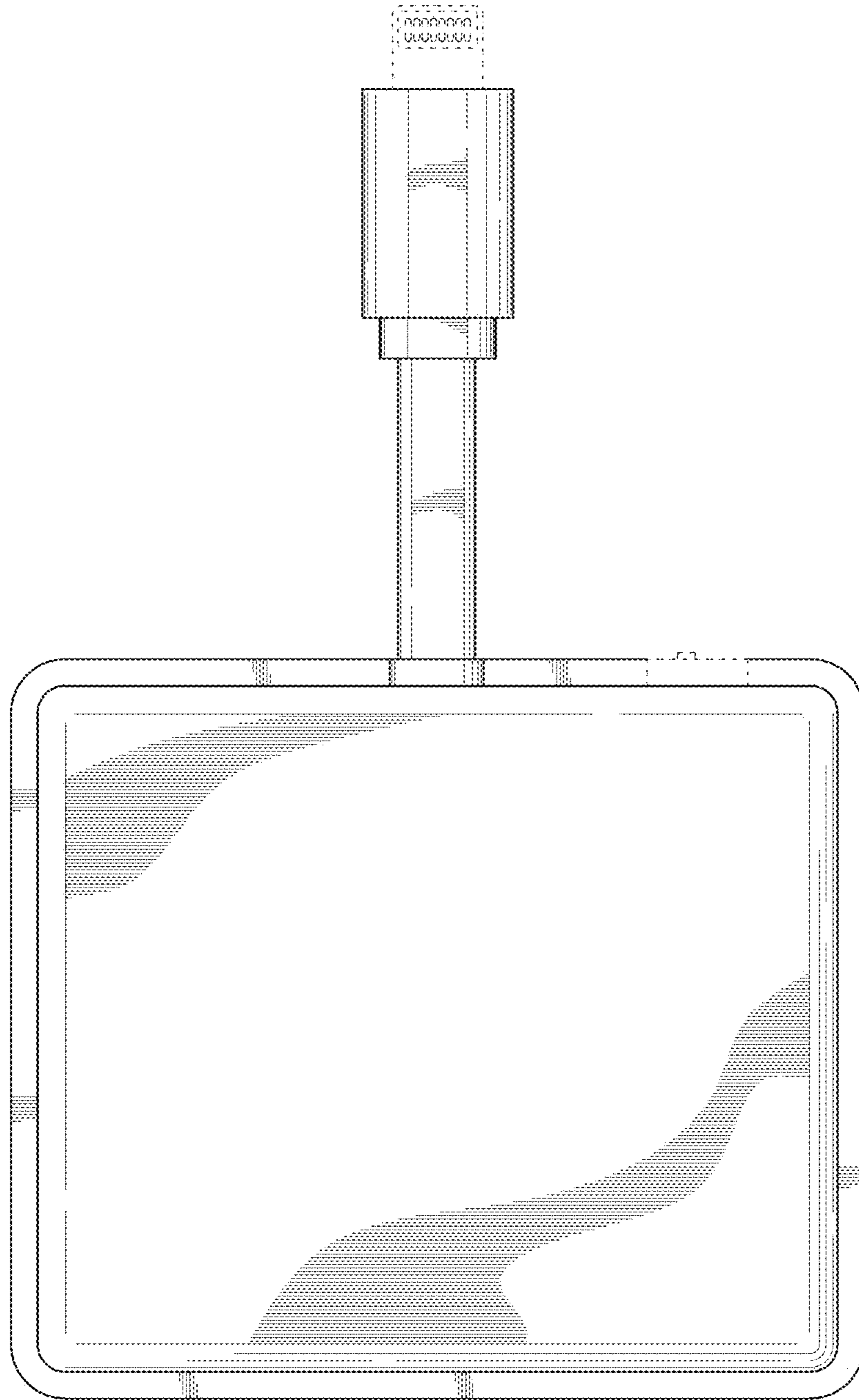


FIG. 2



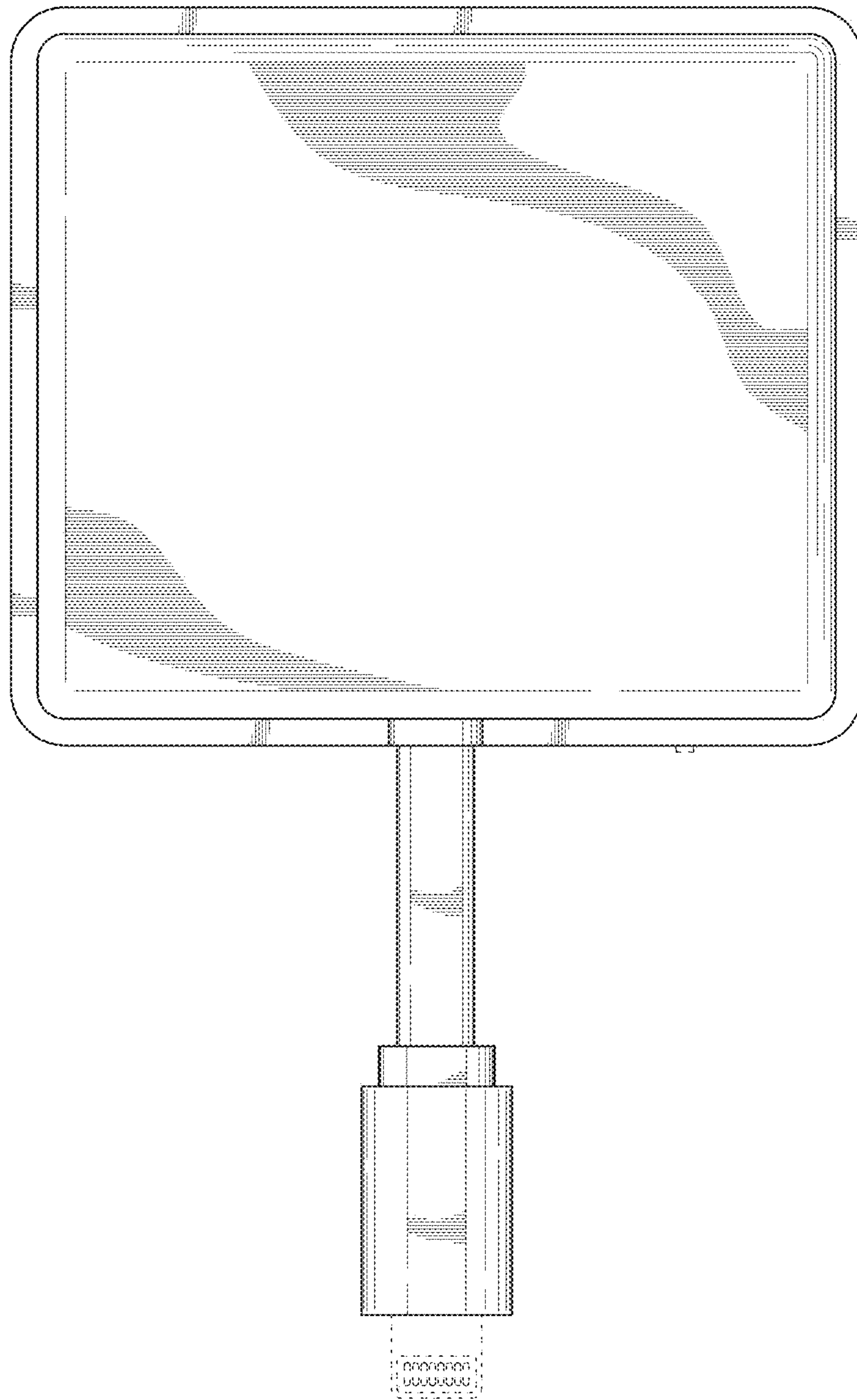


FIG. 3

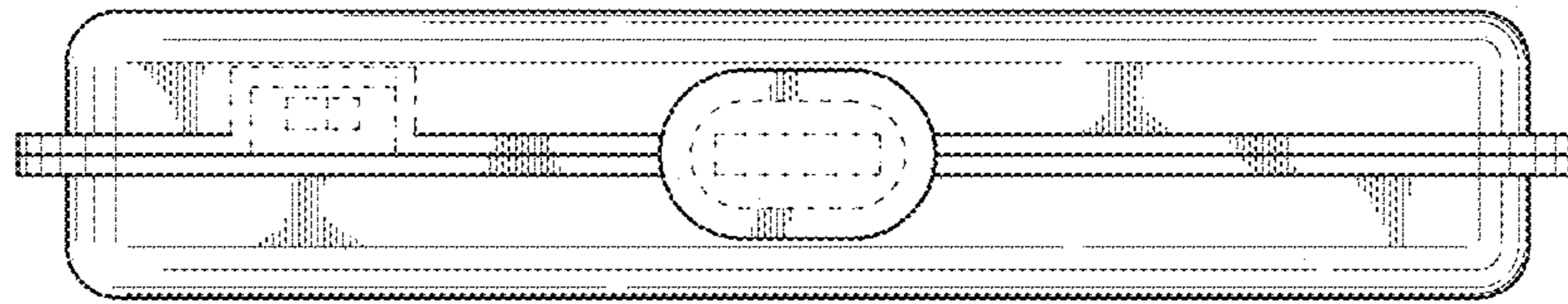


FIG. 4

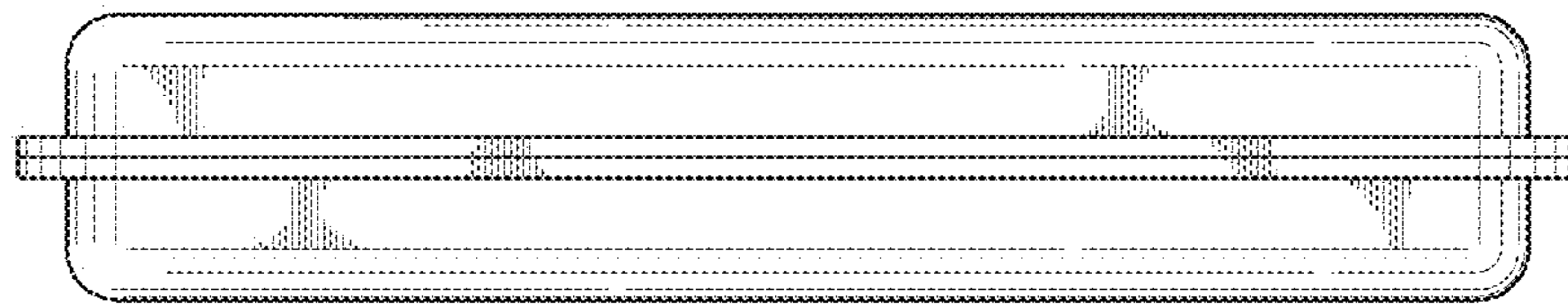


FIG. 5

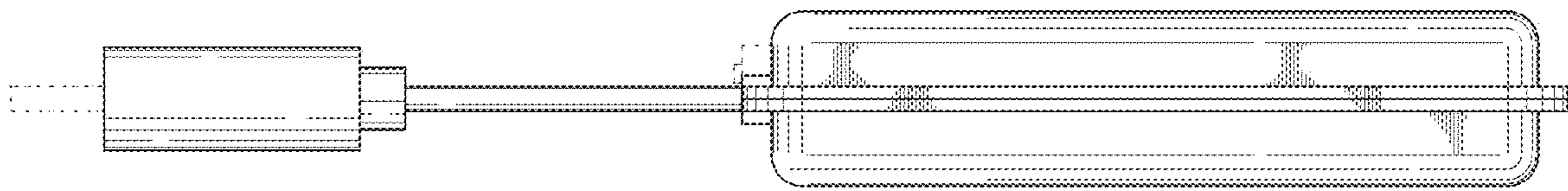


FIG. 6

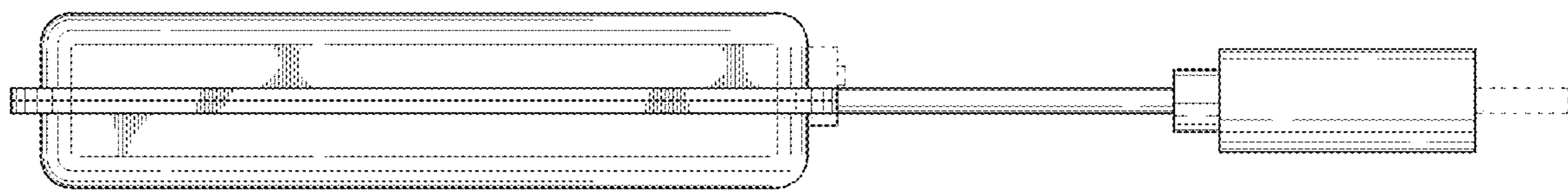


FIG. 7