



US00D942372S

(12) **United States Design Patent**
Kon et al.

(10) **Patent No.:** **US D942,372 S**
(45) **Date of Patent:** **** Feb. 1, 2022**

(54) **BATTERY**

(71) Applicant: **Nikon Corporation**, Tokyo (JP)

(72) Inventors: **Yasuhiko Kon**, Kawasaki (JP); **Jun Akabane**, Yokohama (JP); **Masuhiko Yamasaki**, Tokyo (JP)

(73) Assignee: **Nikon Corporation**, Tokyo (JP)

(**) Term: **15 Years**

(21) Appl. No.: **29/707,130**

(22) Filed: **Sep. 26, 2019**

(30) **Foreign Application Priority Data**

Mar. 29, 2019 (JP) 2019-006814
Apr. 23, 2019 (JP) 2019-009049

(51) **LOC (13) Cl.** **13-02**

(52) **U.S. Cl.**
USPC **D13/103**

(58) **Field of Classification Search**
USPC D13/103, 107, 108, 110, 118, 119, 122, D13/184, 199
CPC Y02E 60/12; Y02E 60/122; Y02E 60/124; Y02E 60/50; H02J 7/025; H02J 7/0042; H02J 7/0044; H02J 7/0045; H02J 7/0003; H01R 13/6675; H01M 2/1022; H01M 2/1055; H01M 10/44; H01M 10/46; H01M 10/425; B60L 11/182
See application file for complete search history.

(56) **References Cited**

U.S. PATENT DOCUMENTS

D481,995 S * 11/2003 Yokota D13/103
D654,850 S * 2/2012 Obata D13/103
D660,788 S * 5/2012 Ziring D13/103
D665,340 S * 8/2012 Obata D13/103
D711,826 S * 8/2014 Yonishi D13/119

D730,287 S * 5/2015 Motoyama D13/119
D795,801 S * 8/2017 Fletcher D13/103
D803,156 S * 11/2017 Motoyama D13/119
D919,562 S * 5/2021 Saito D13/103
D920,231 S * 5/2021 Saito D13/103

(Continued)

OTHER PUBLICATIONS

Amazon.com: Turpow 2 Pack . . . Date First Available of Apr. 17, 2017. Retrieved from the internet at <<https://www.amazon.com/Battery-EN-EL14-EN-EL14A-TURPOW-Replacement-EN-EL14A/dp/B06ZZ1NPC4/>>, Jun. 14, 2021. 1 page. (Year: 2017).*

Primary Examiner — Christy Nemeth

(74) *Attorney, Agent, or Firm* — Wolf, Greenfield & Sacks, P.C.

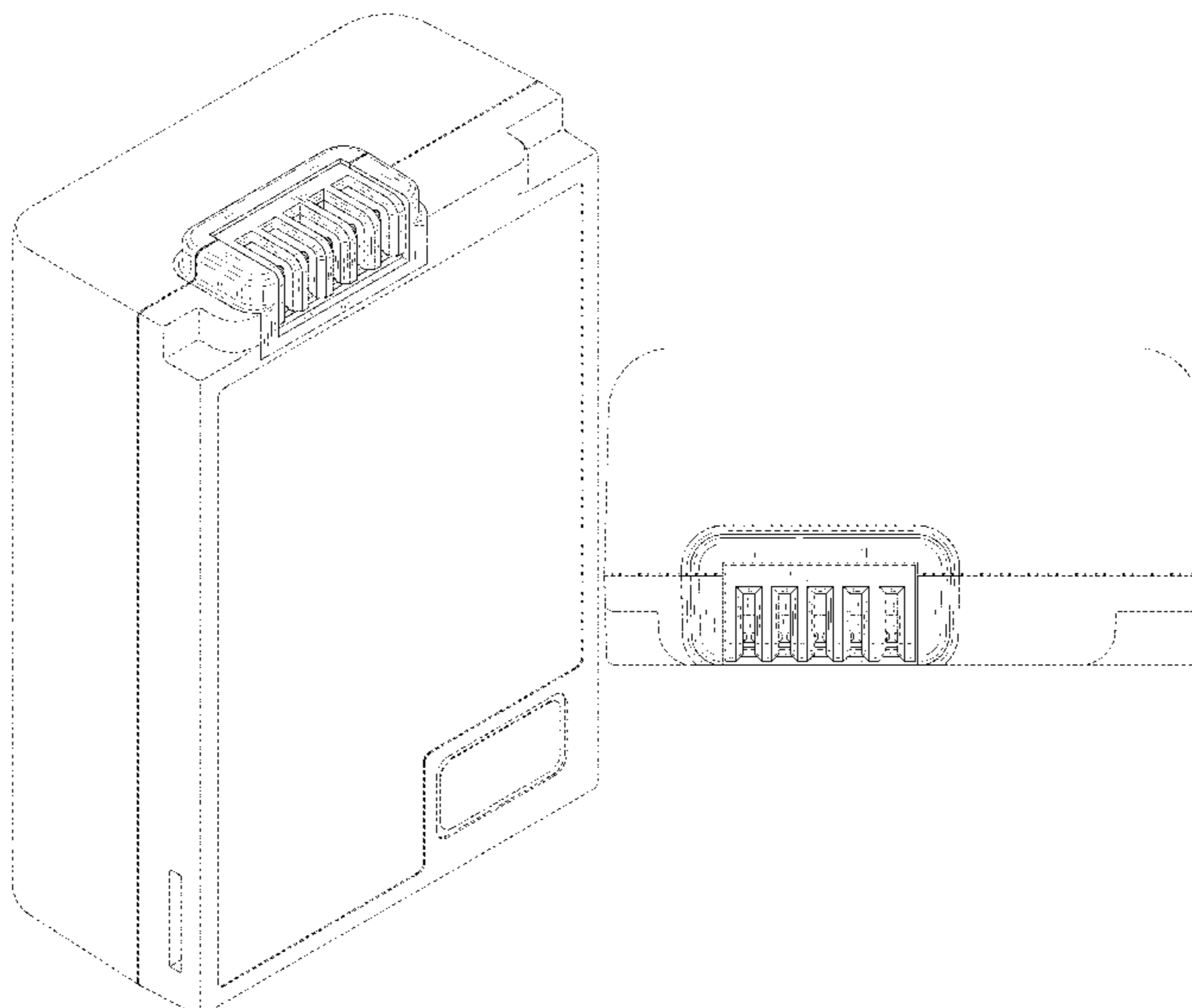
(57) **CLAIM**

The ornamental design for a battery, as shown and described.

DESCRIPTION

FIG. 1 is a front, top, and left side perspective view of a first embodiment of a battery, showing our new design;
FIG. 2 is a front view thereof;
FIG. 3 is a rear view thereof;
FIG. 4 is a top plan view thereof;
FIG. 5 is a right side view thereof;
FIG. 6 is a left side view thereof;
FIG. 7 is a front, top, and left side perspective view of a second embodiment of a battery showing our new design;
FIG. 8 is a front view thereof;
FIG. 9 is a rear view thereof;
FIG. 10 is a top plan view thereof;
FIG. 11 is a right side view thereof; and,
FIG. 12 is a left side view thereof.
The broken lines illustrate portions of the battery that form no part of the claimed design. The dash-dotted lines denote the boundary of the claim and form no part of the claimed design.

1 Claim, 12 Drawing Sheets



(56)

References Cited

U.S. PATENT DOCUMENTS

2010/0291434 A1* 11/2010 Byun H01M 10/0525
429/178

* cited by examiner

FIG. 1

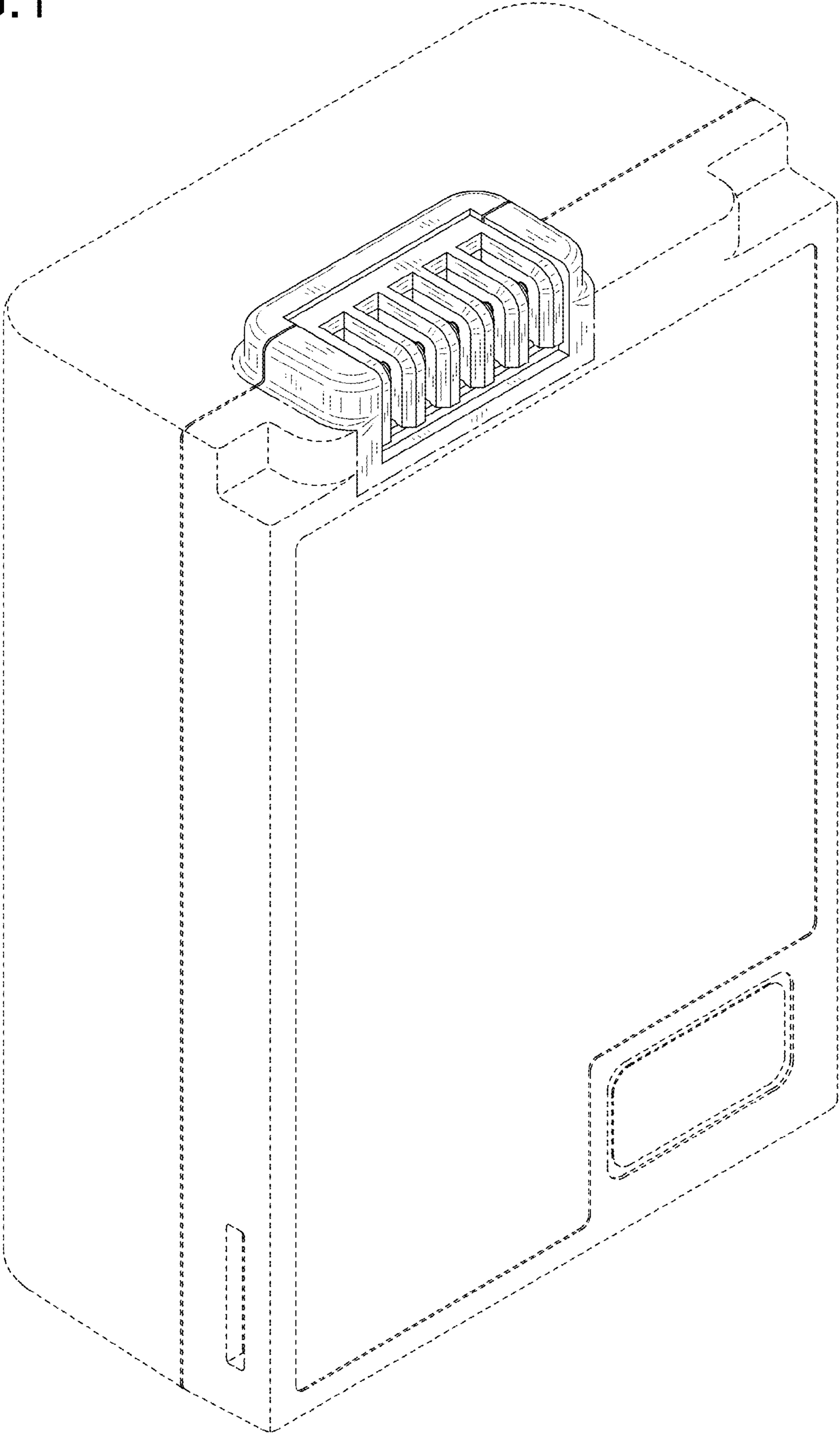


FIG.2

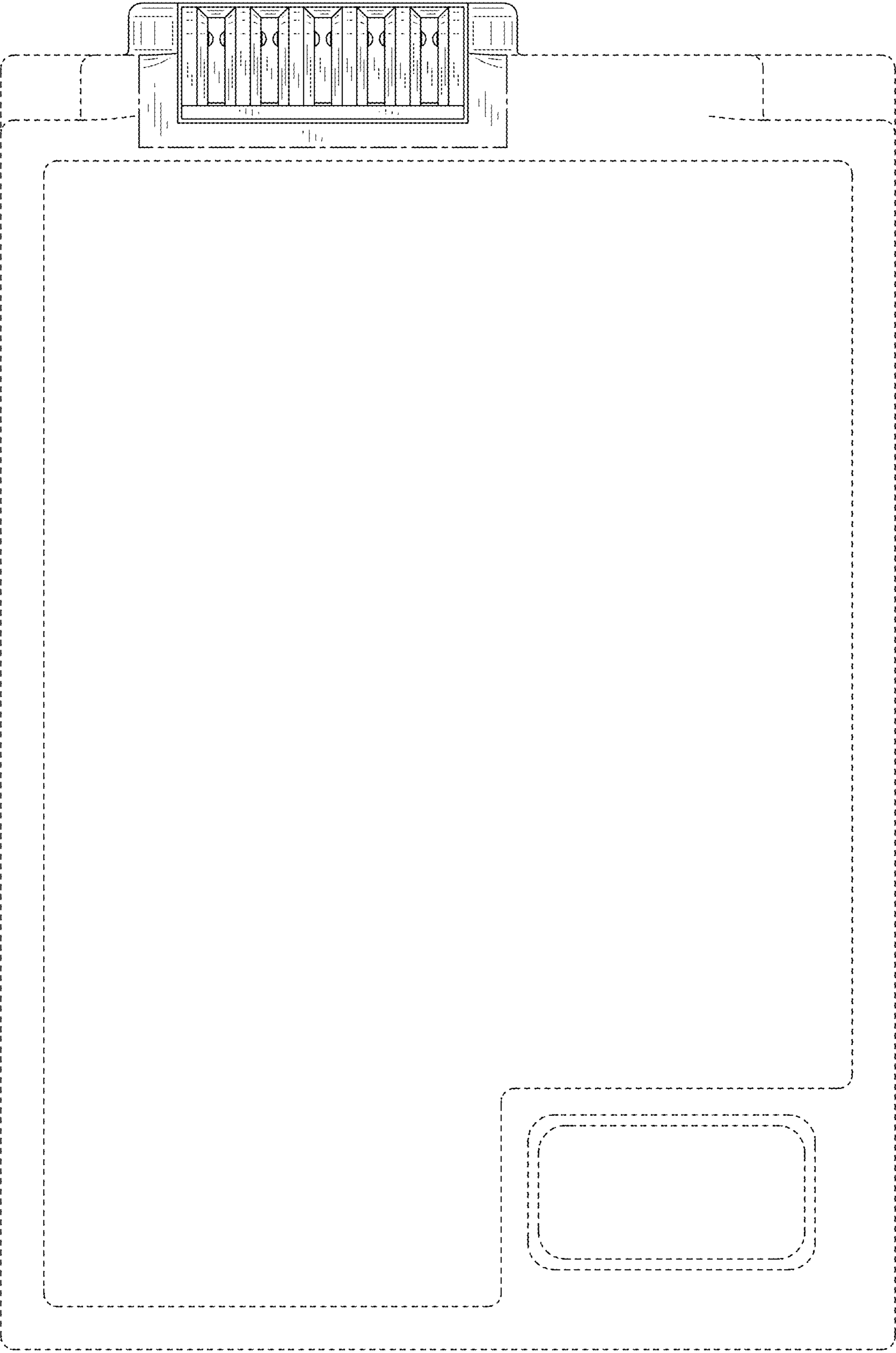


FIG.3

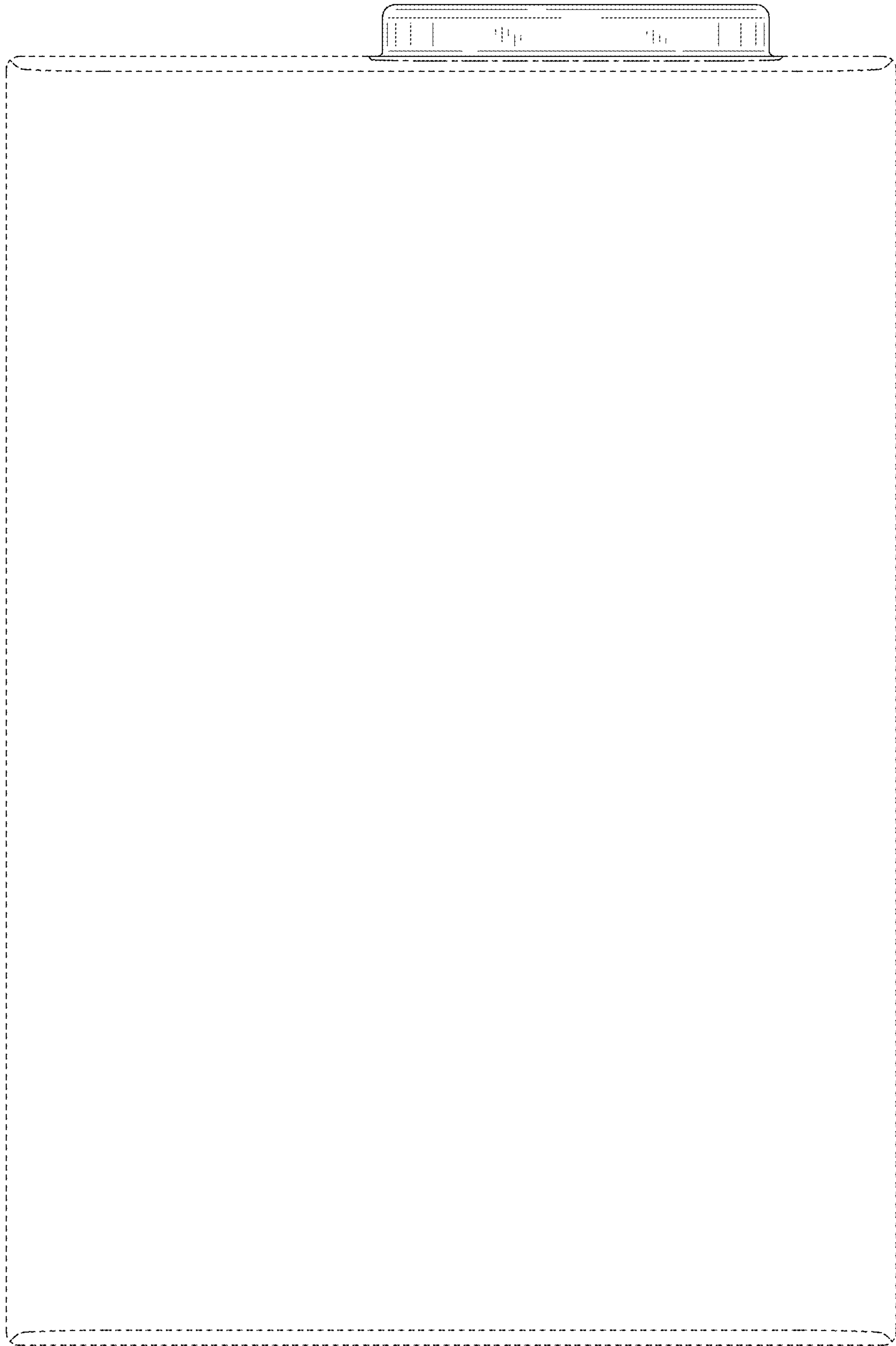


FIG.4

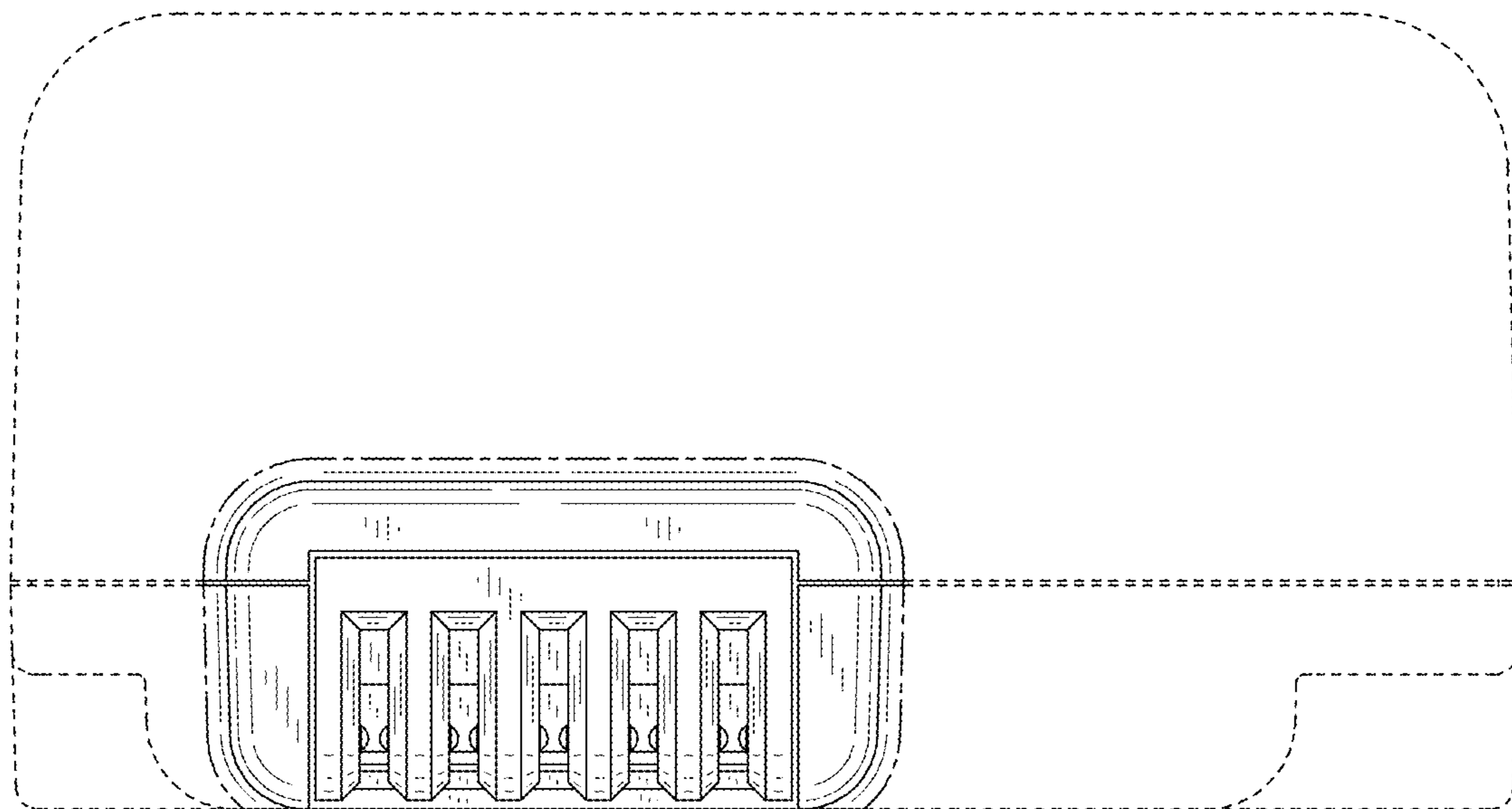


FIG.5

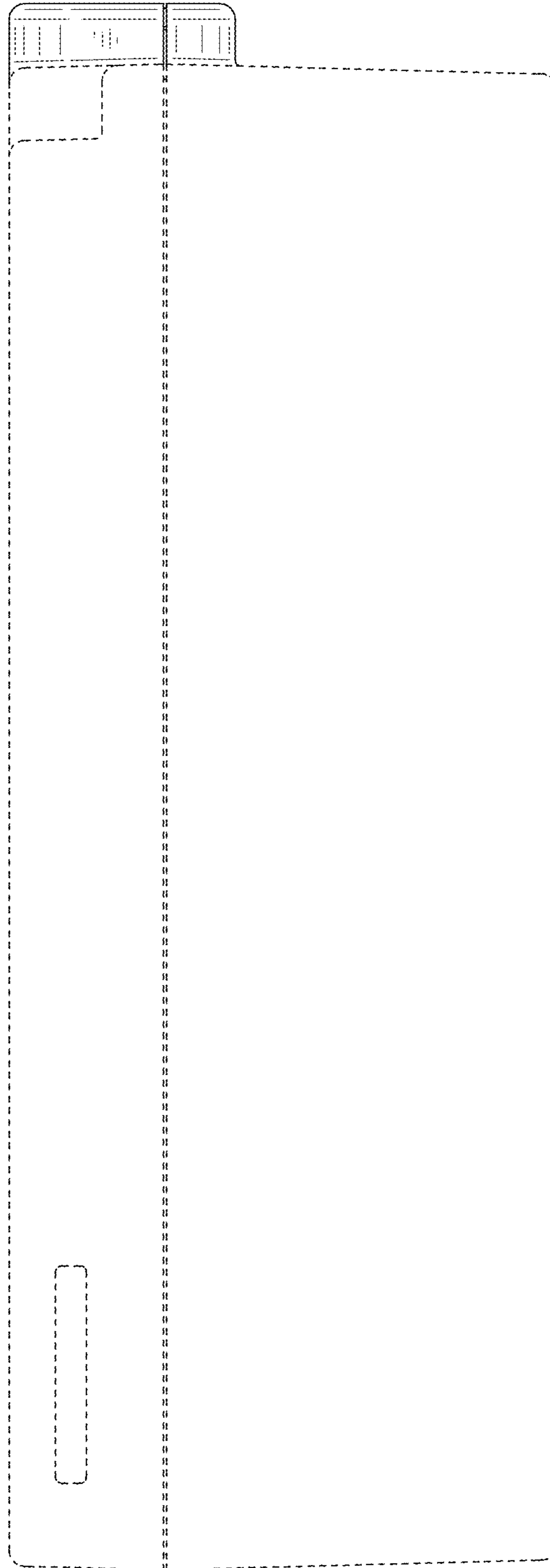


FIG.6

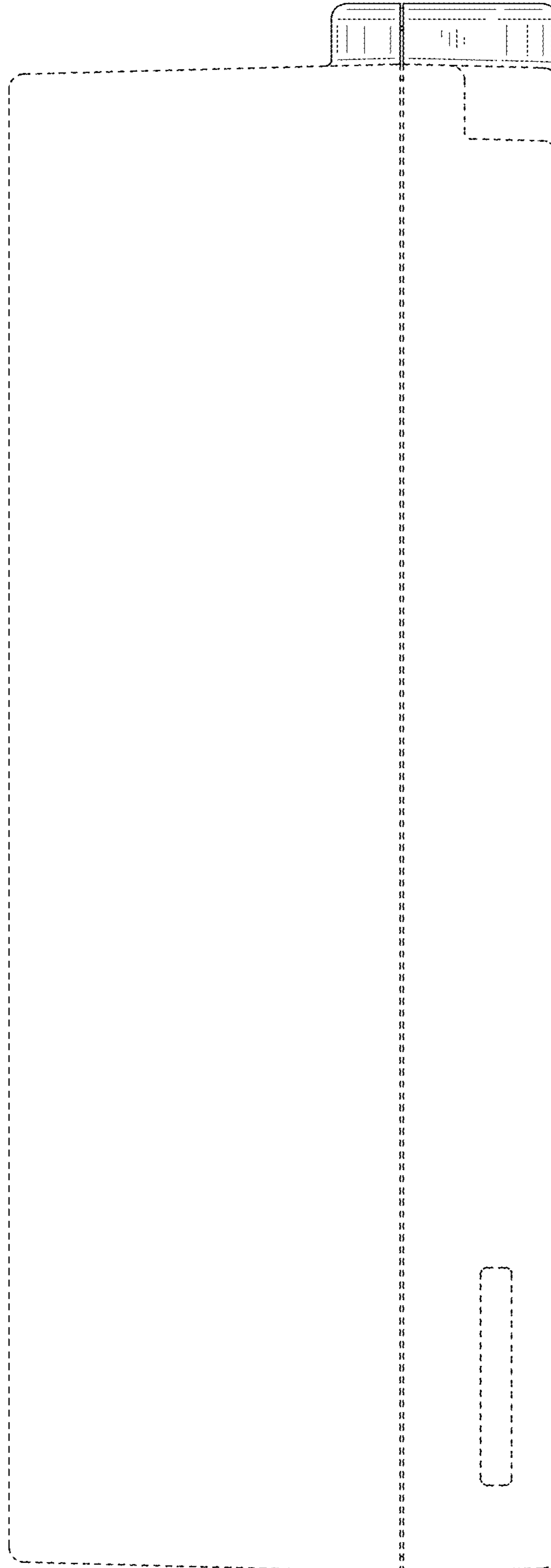


FIG.7

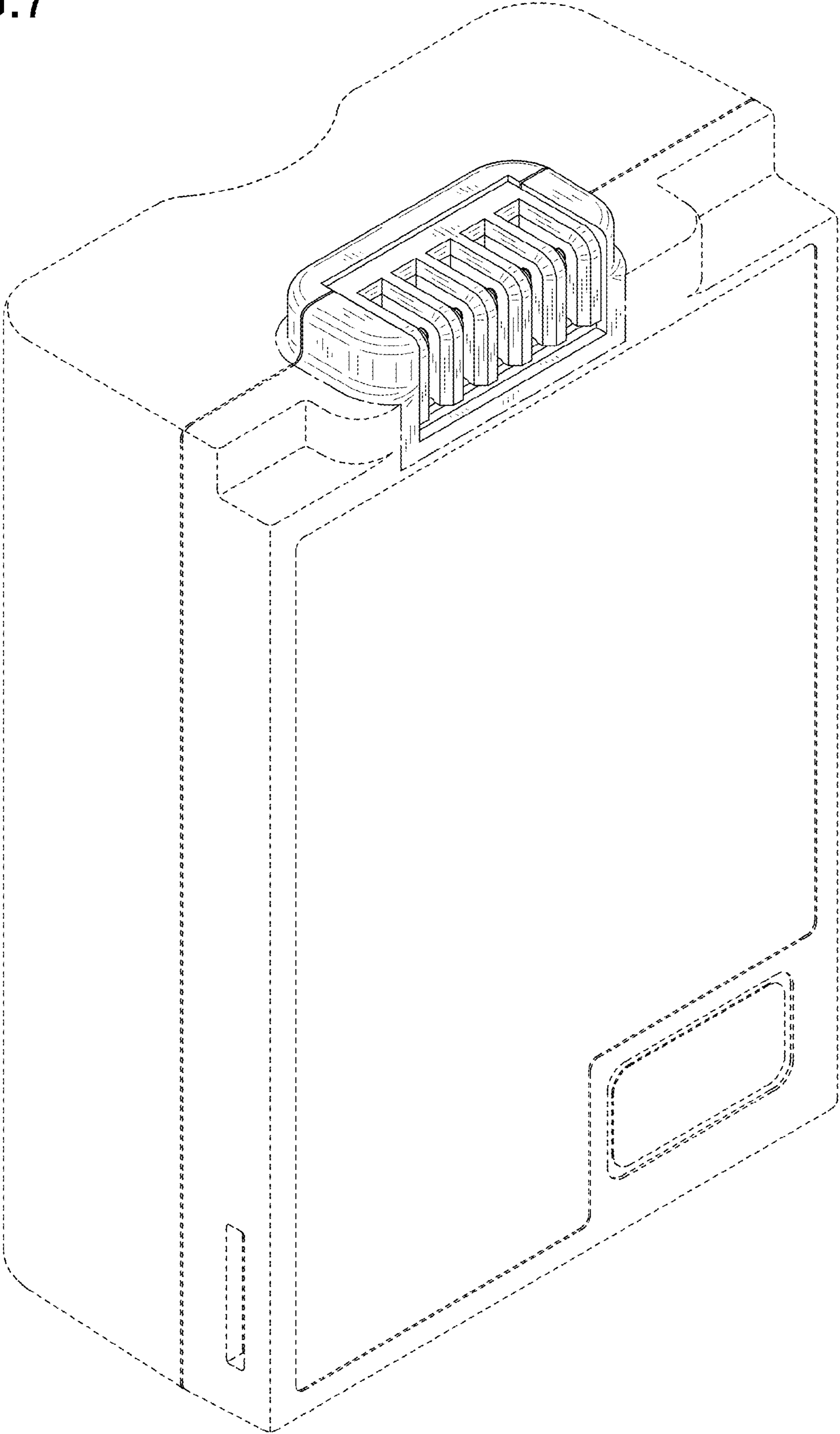


FIG.8

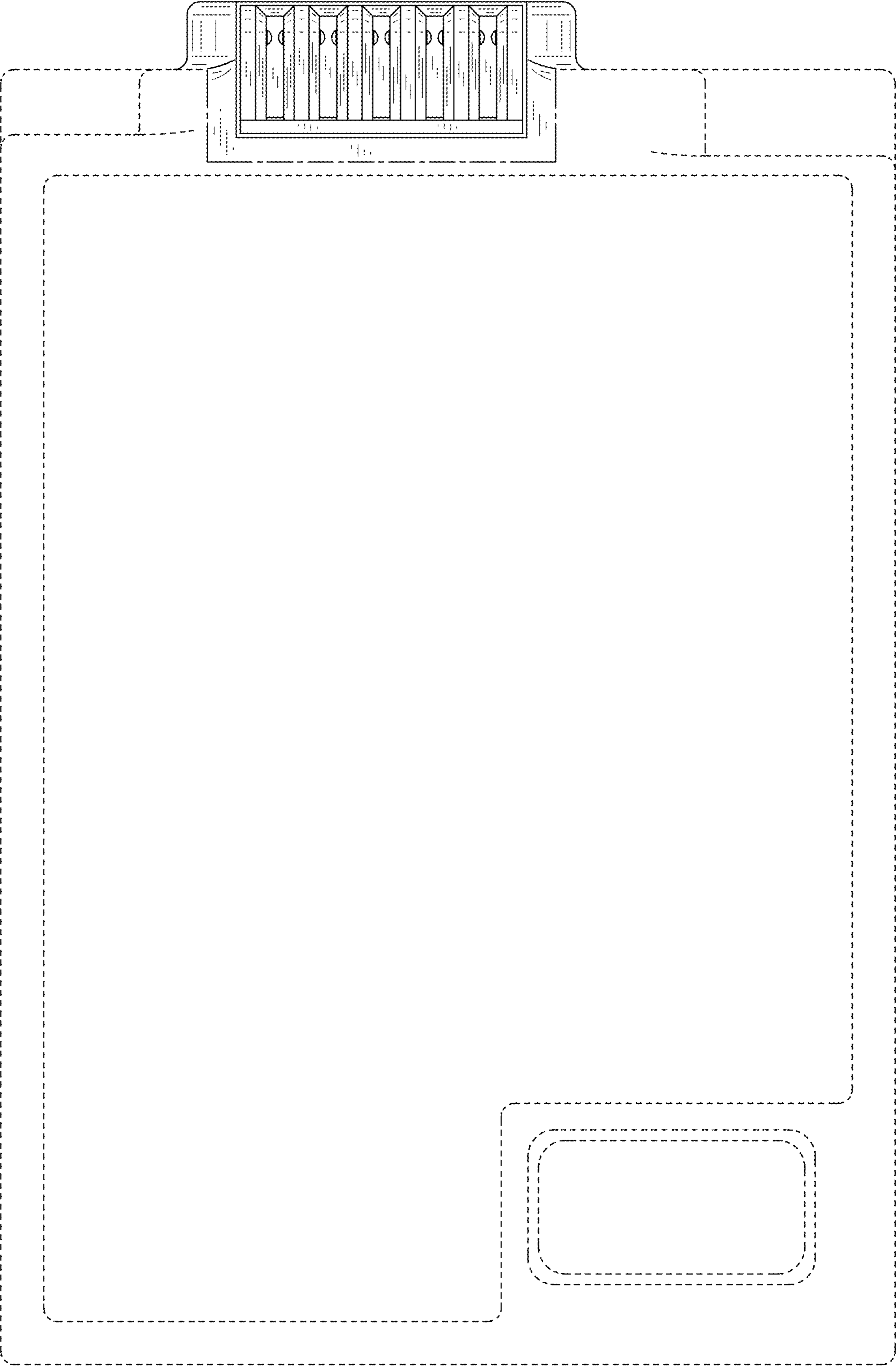


FIG.9

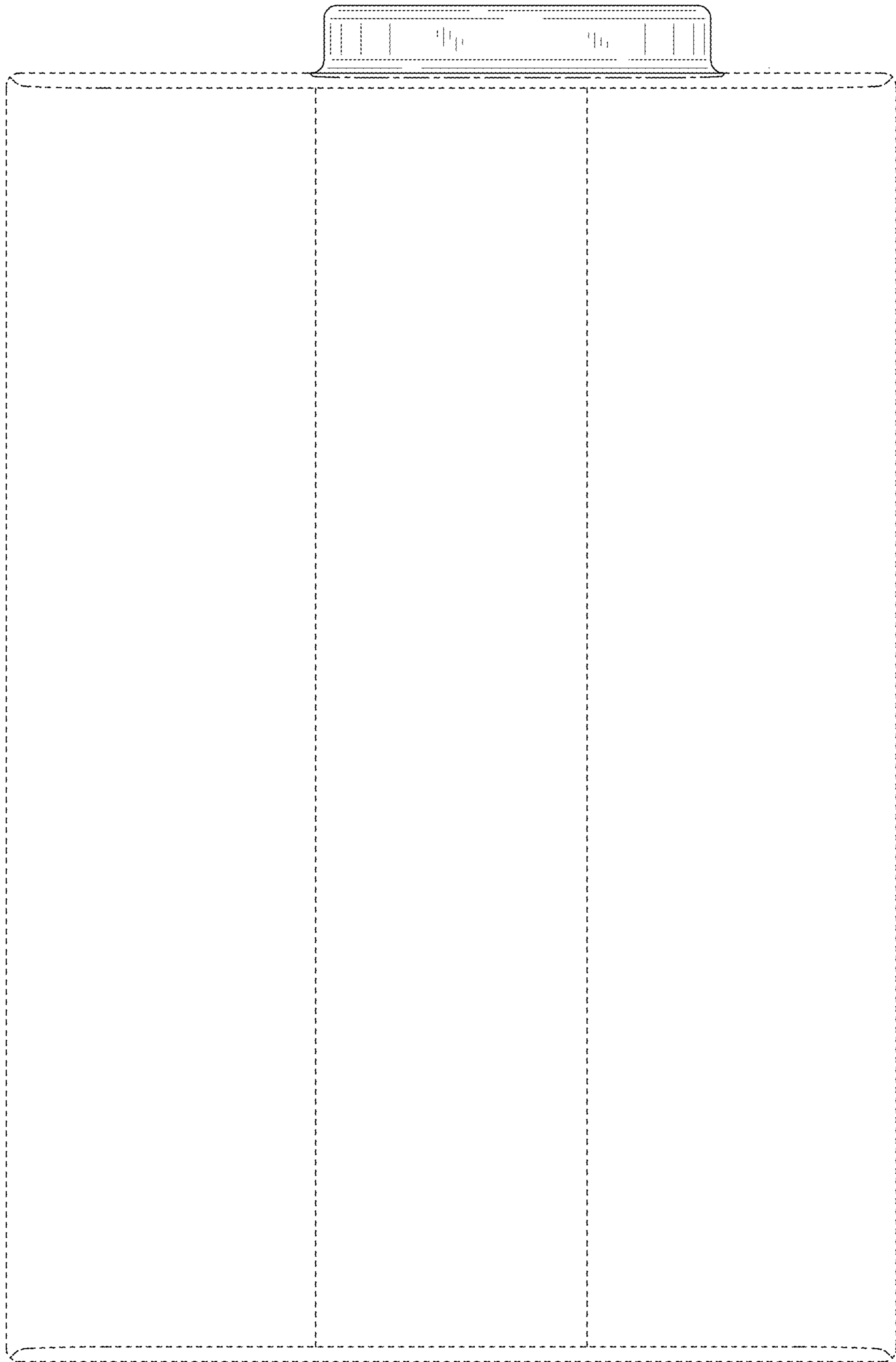


FIG.10

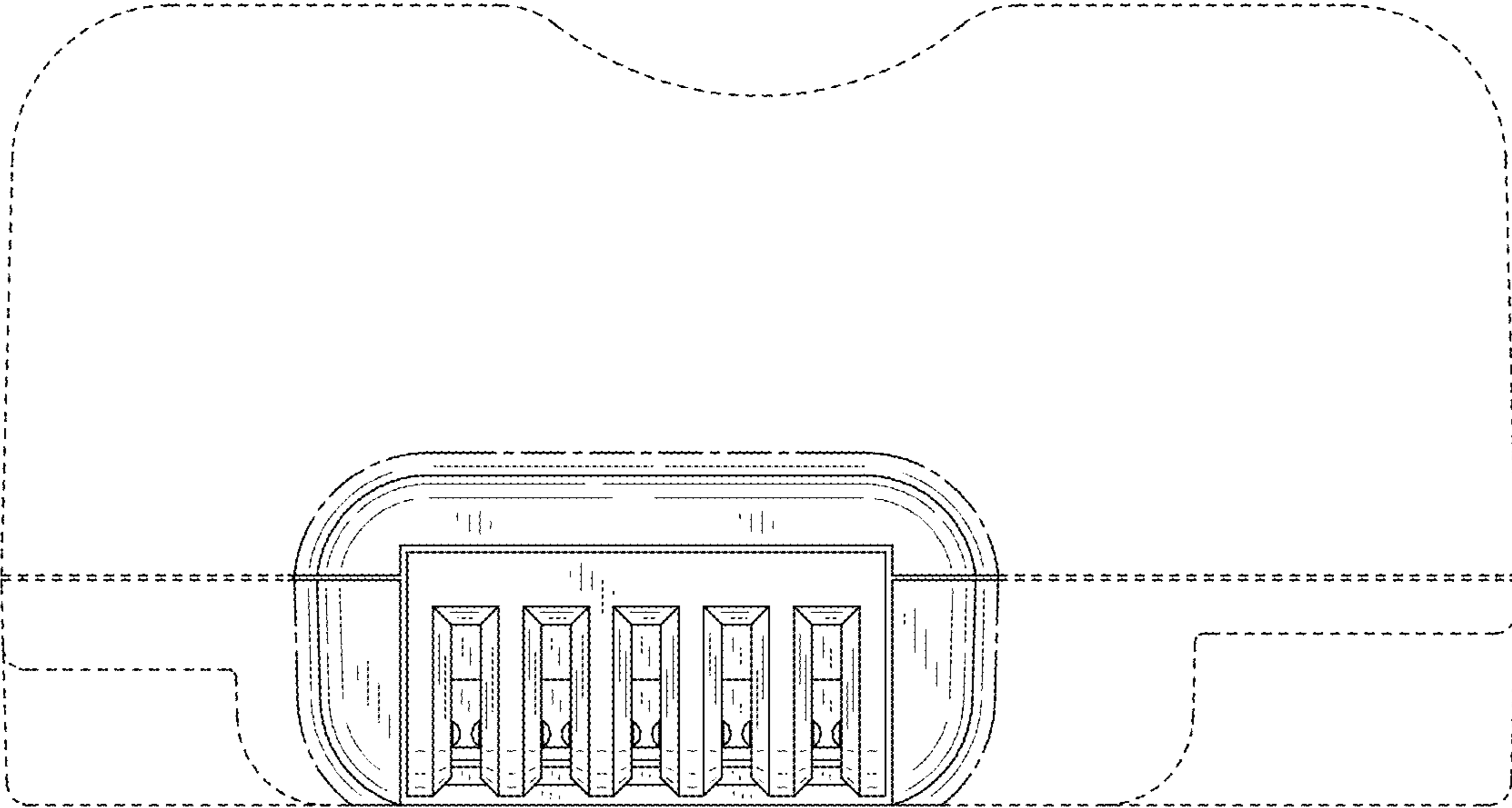


FIG.11

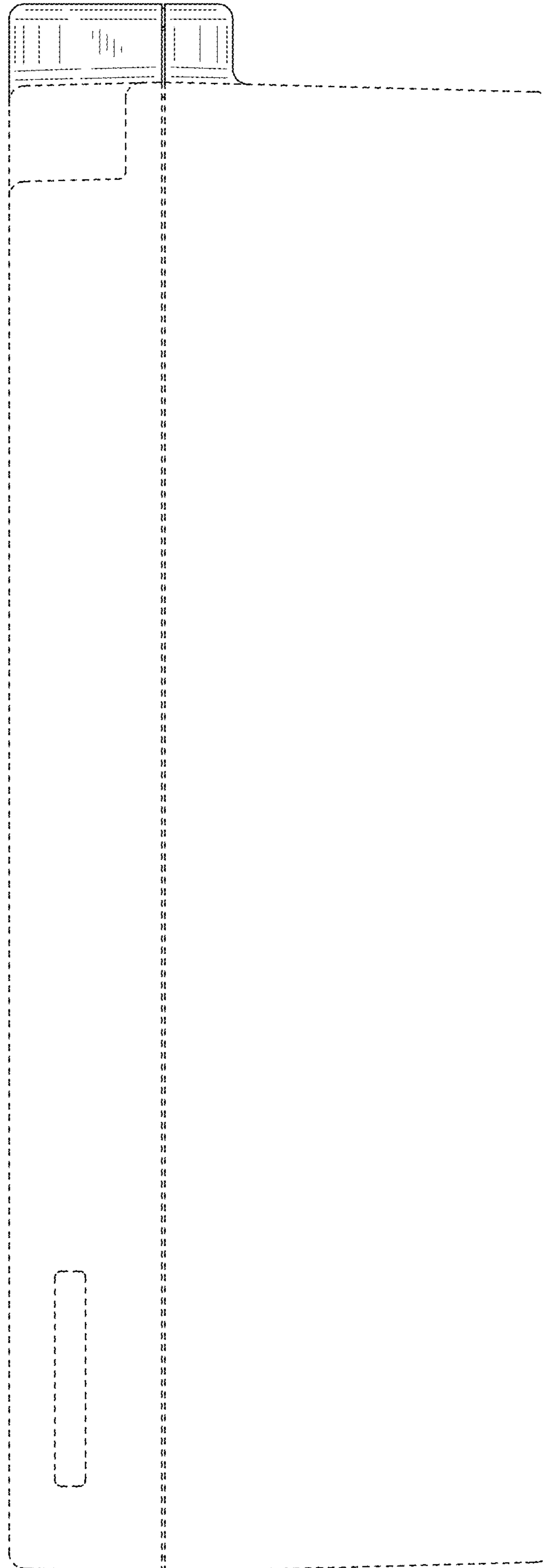


FIG.12

