



US00D942366S

(12) **United States Design Patent** (10) **Patent No.:** **US D942,366 S**  
**Liang** (45) **Date of Patent:** **\*\* Feb. 1, 2022**

(54) **TRUNK ORGANIZER**  
(71) Applicant: **Xiaodong Liang**, Guangdong (CN)  
(72) Inventor: **Xiaodong Liang**, Guangdong (CN)  
(\*\*) Term: **15 Years**  
(21) Appl. No.: **29/772,531**  
(22) Filed: **Mar. 2, 2021**  
(51) **LOC (13) Cl.** ..... **12-16**  
(52) **U.S. Cl.**  
USPC ..... **D12/425**  
(58) **Field of Classification Search**  
USPC ..... D12/425, 400, 406, 415-420, 424, 426  
CPC ..... B63B 25/00; B63B 7/085; B63B 35/00;  
B63B 17/00; B60R 16/04  
See application file for complete search history.

(56) **References Cited**  
U.S. PATENT DOCUMENTS  
D383,112 S \* 9/1997 Patterson ..... D12/415  
5,938,035 A \* 8/1999 Oglesby ..... B60R 7/02  
206/576  
D474,733 S \* 5/2003 Webb ..... D12/419  
D573,940 S \* 7/2008 Heneghan ..... D12/425  
D795,789 S \* 8/2017 Ehtesham ..... D12/425  
D899,347 S 10/2020 Baker  
D909,285 S 2/2021 Baker  
D932,420 S \* 10/2021 Bruni ..... D12/425  
2008/0142558 A1 \* 6/2008 Dexter ..... B60R 7/02  
224/275

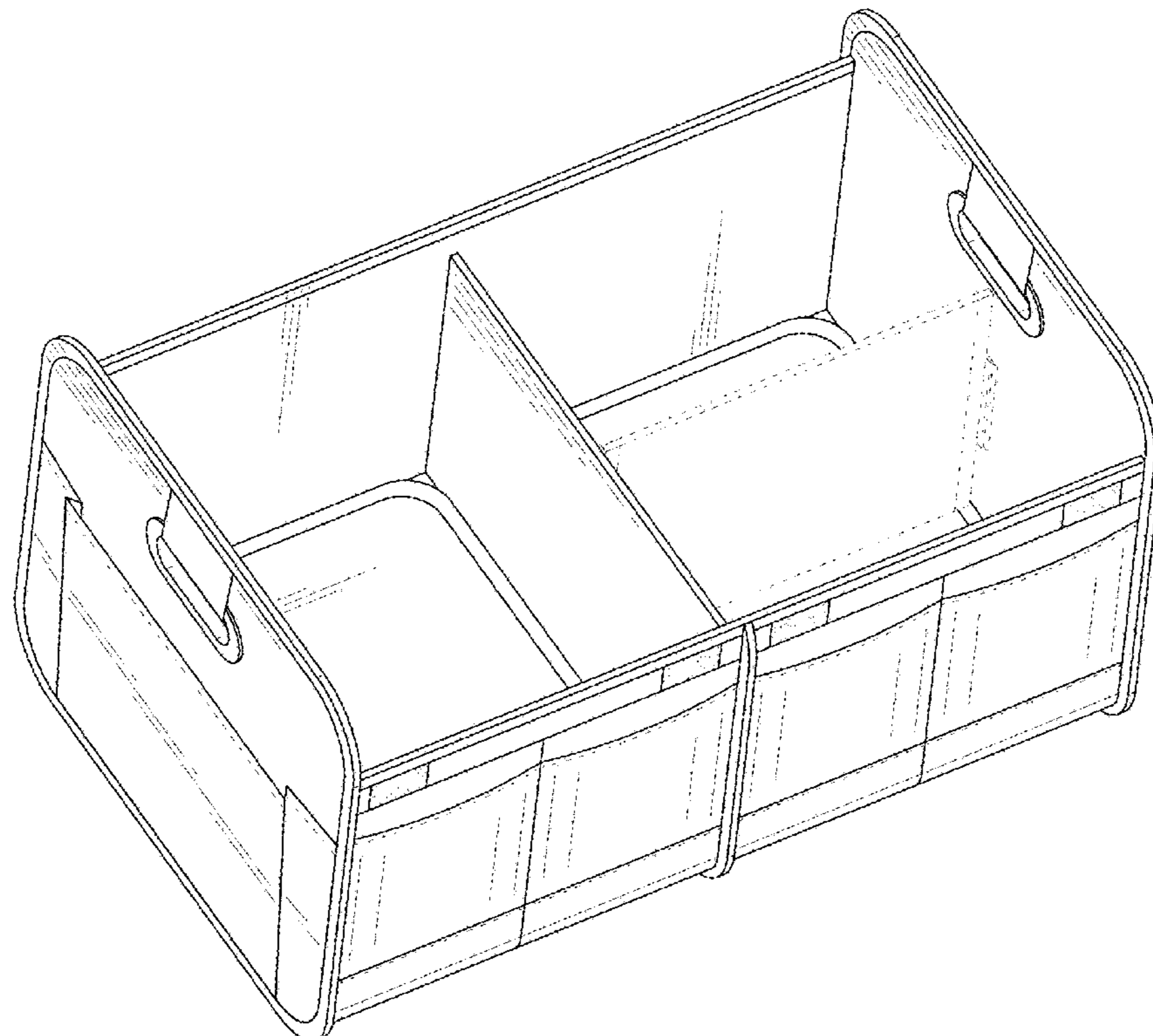
2012/0000912 A1\* 1/2012 Potts ..... B65D 21/086  
220/553  
2016/0144800 A1\* 5/2016 Henderson ..... B60R 7/02  
296/24.4  
2016/0318451 A1\* 11/2016 Li ..... B60R 7/02  
2017/0291733 A1\* 10/2017 Henderson ..... B65D 11/1873  
2017/0360231 A1\* 12/2017 Yu ..... B65D 5/4266  
2019/0328097 A1\* 10/2019 Kao ..... A45C 5/14

\* cited by examiner  
*Primary Examiner* — Katrina A Betton  
(74) *Attorney, Agent, or Firm* — ScienBiziP, P.C.

(57) **CLAIM**  
The ornamental design for a trunk organizer, as shown and described.

**DESCRIPTION**  
FIG. 1 is a front, left, and top perspective view of a trunk organizer, showing my design.  
FIG. 2 is a rear, right, and bottom perspective view thereof.  
FIG. 3 is a front elevation view thereof.  
FIG. 4 is a rear elevation view thereof.  
FIG. 5 is a left side elevation view thereof.  
FIG. 6 is a right side elevation view thereof.  
FIG. 7 is a top plan view thereof.  
FIG. 8 is a bottom plan view thereof; and,  
FIG. 9 is a perspective view of the trunk organizer of FIG. 1 shown in a folded state.  
The broken lines shown in the drawings are included for the purpose of illustrating portions of the trunk organizer that form no part of the claimed design.

**1 Claim, 9 Drawing Sheets**



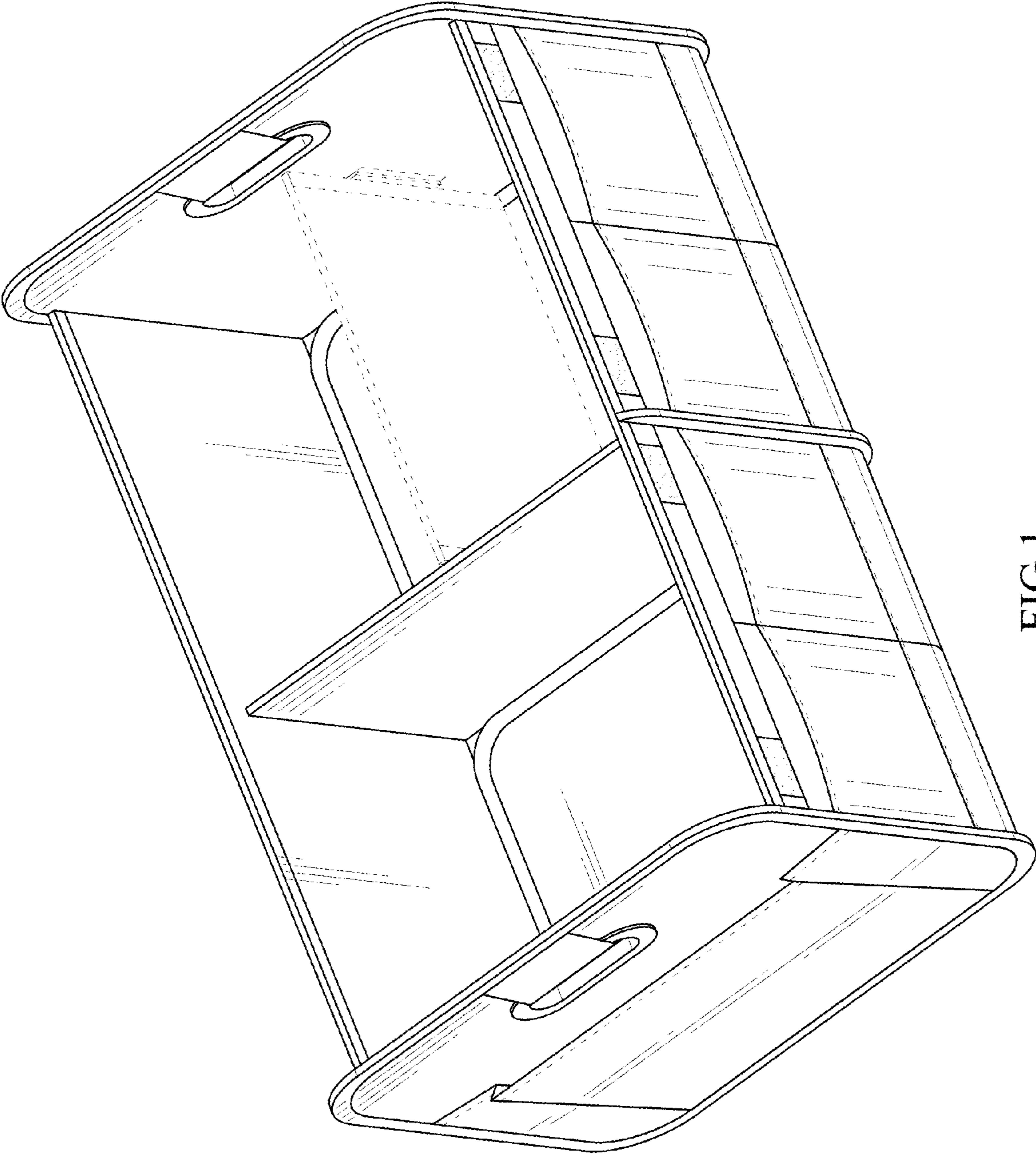


FIG.1

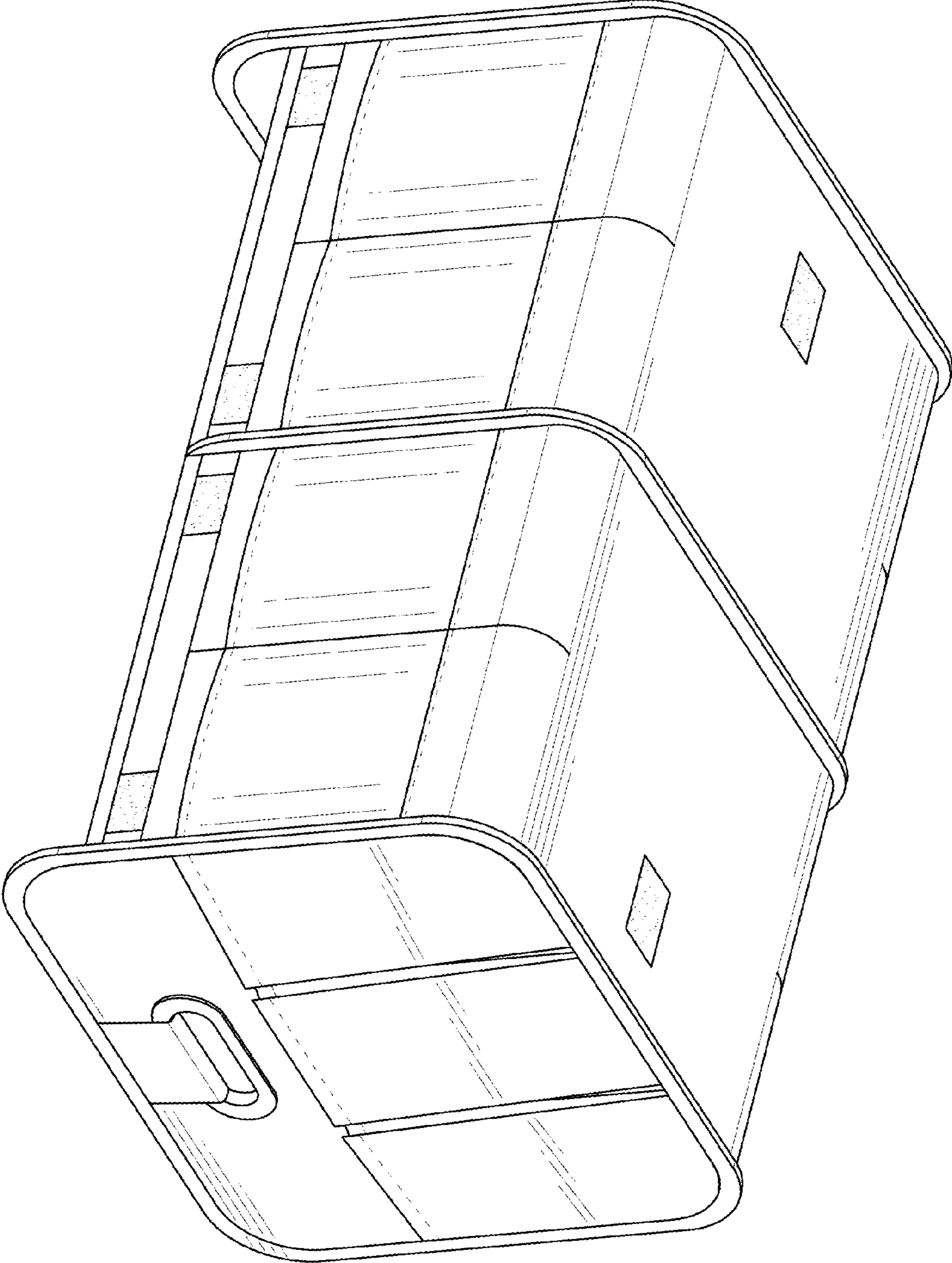


FIG.2

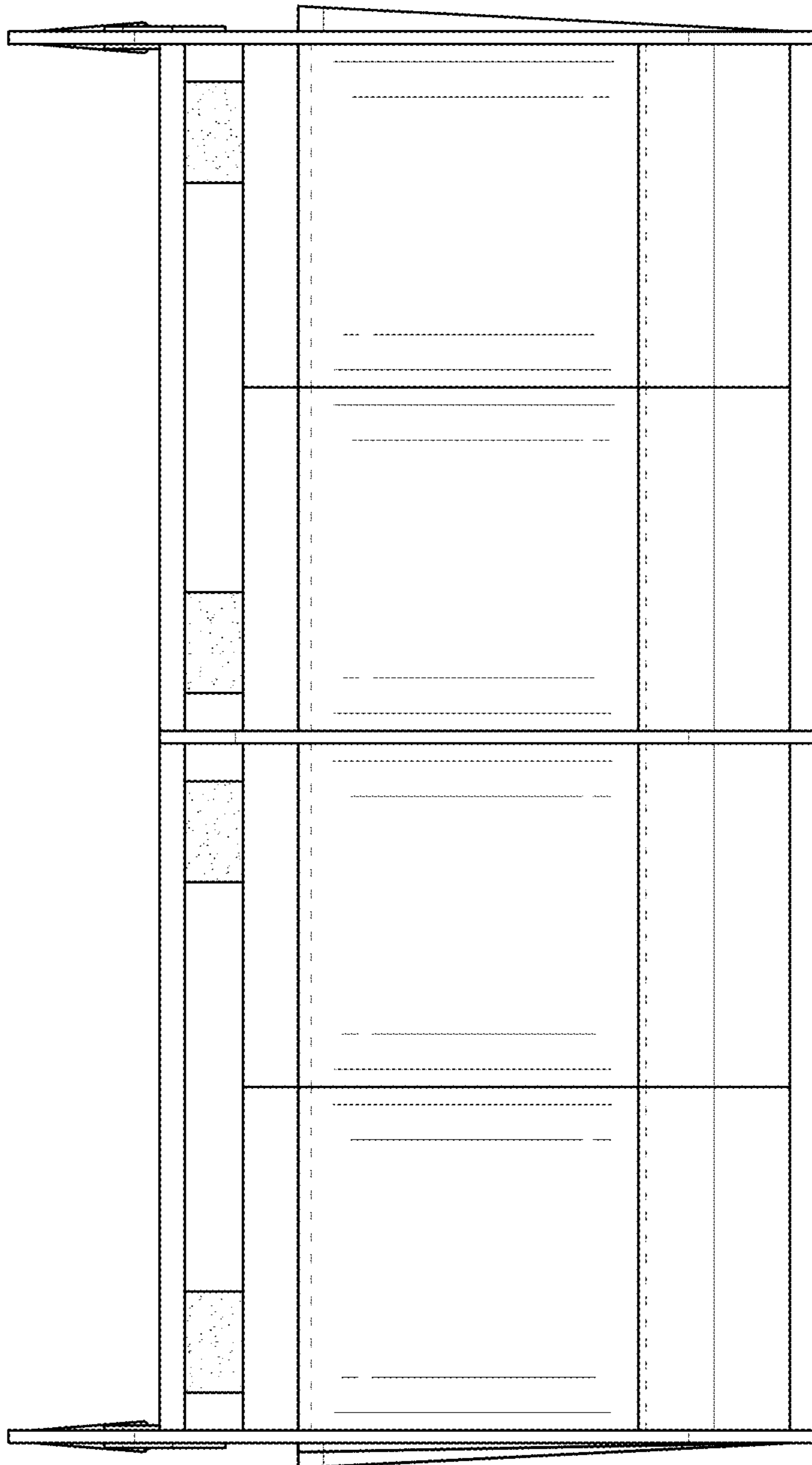


FIG.3

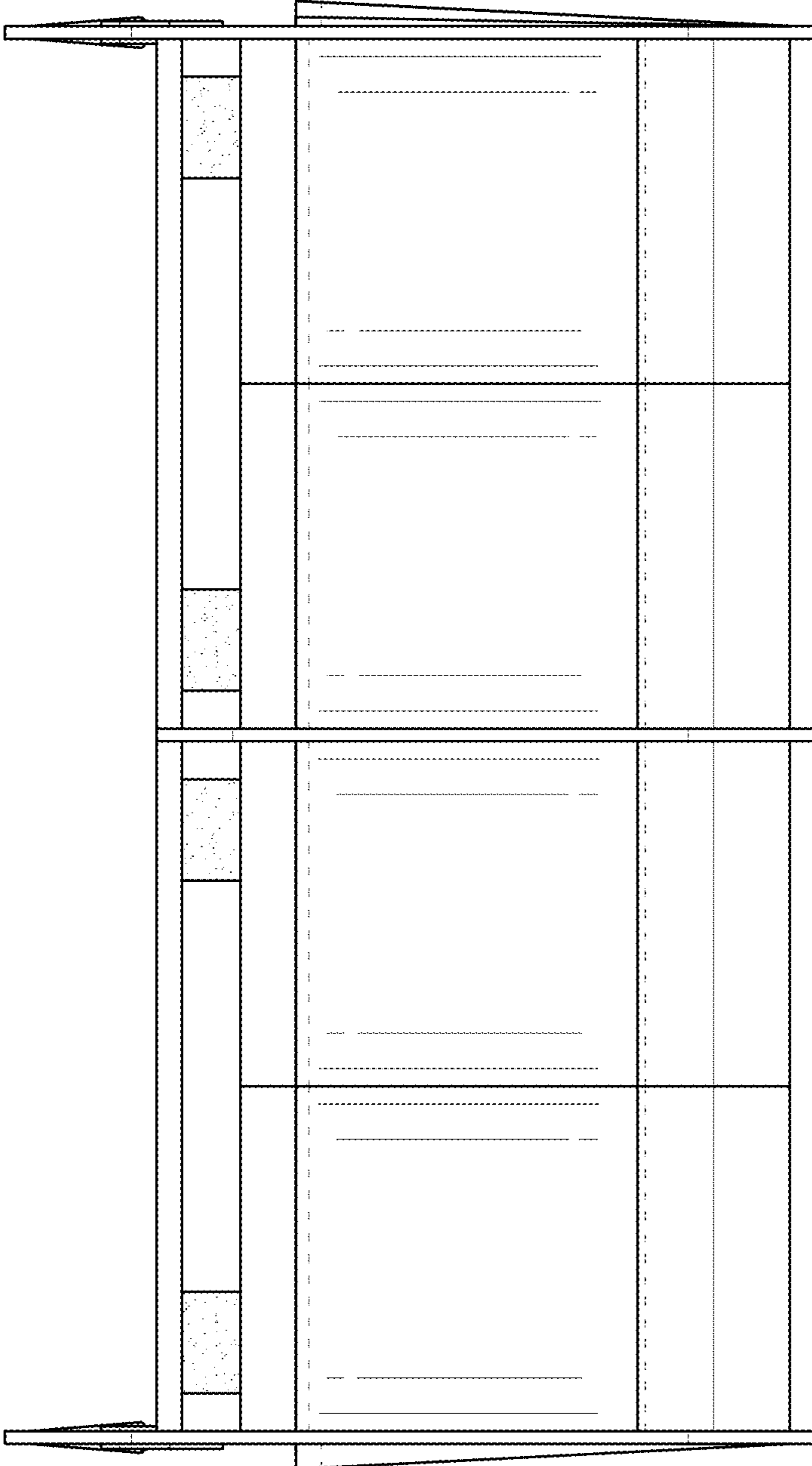


FIG.4

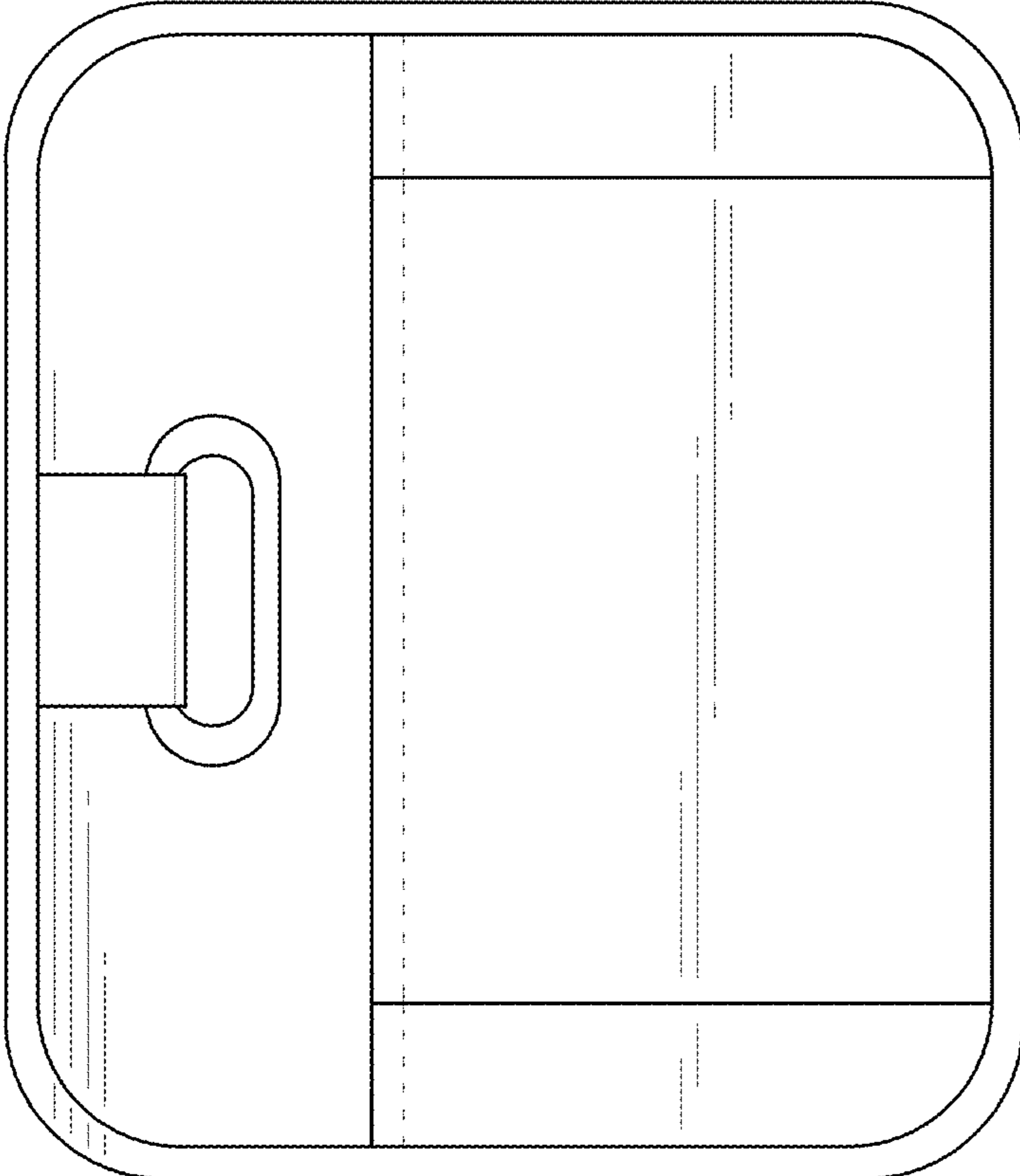


FIG.5

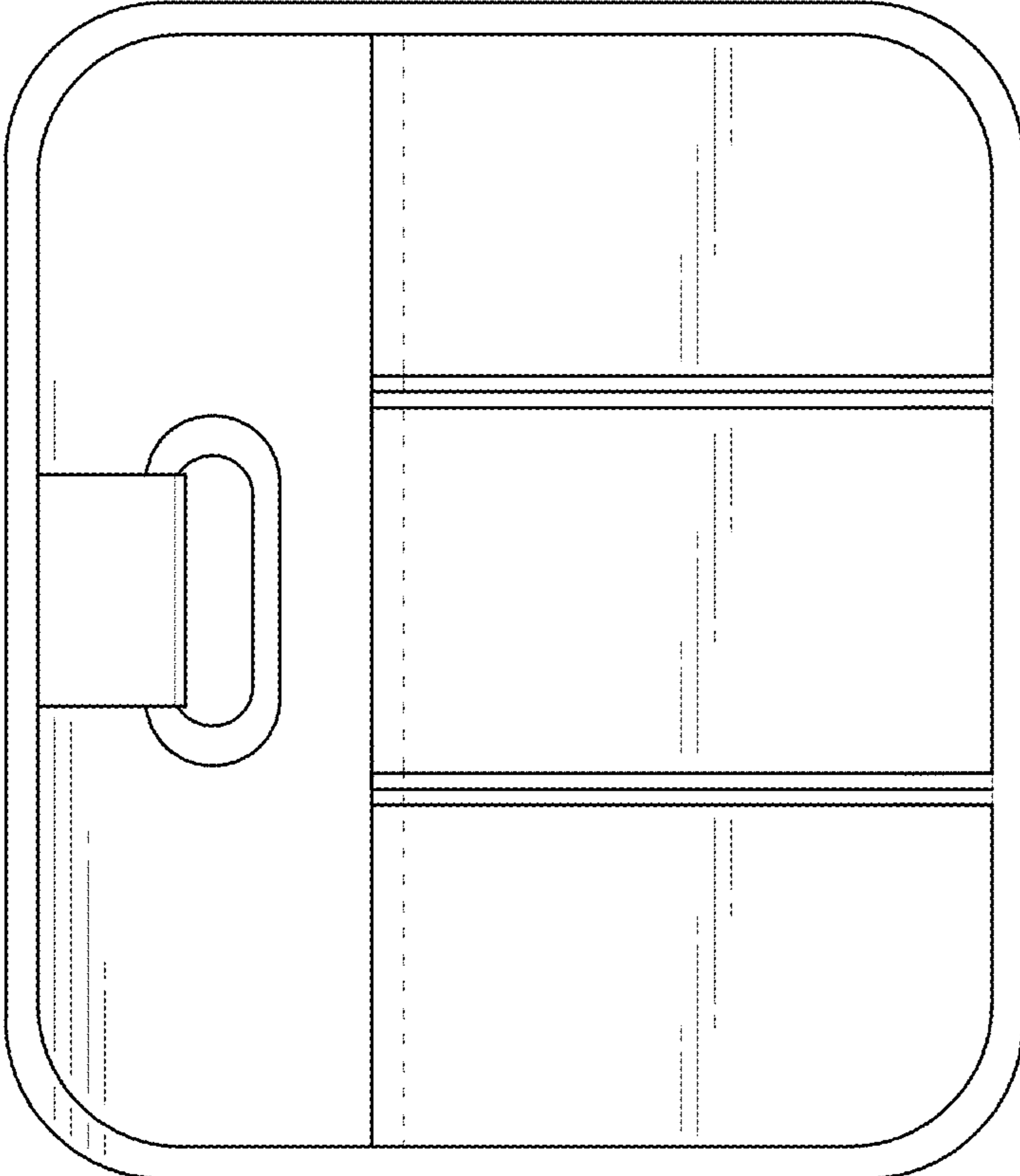


FIG.6

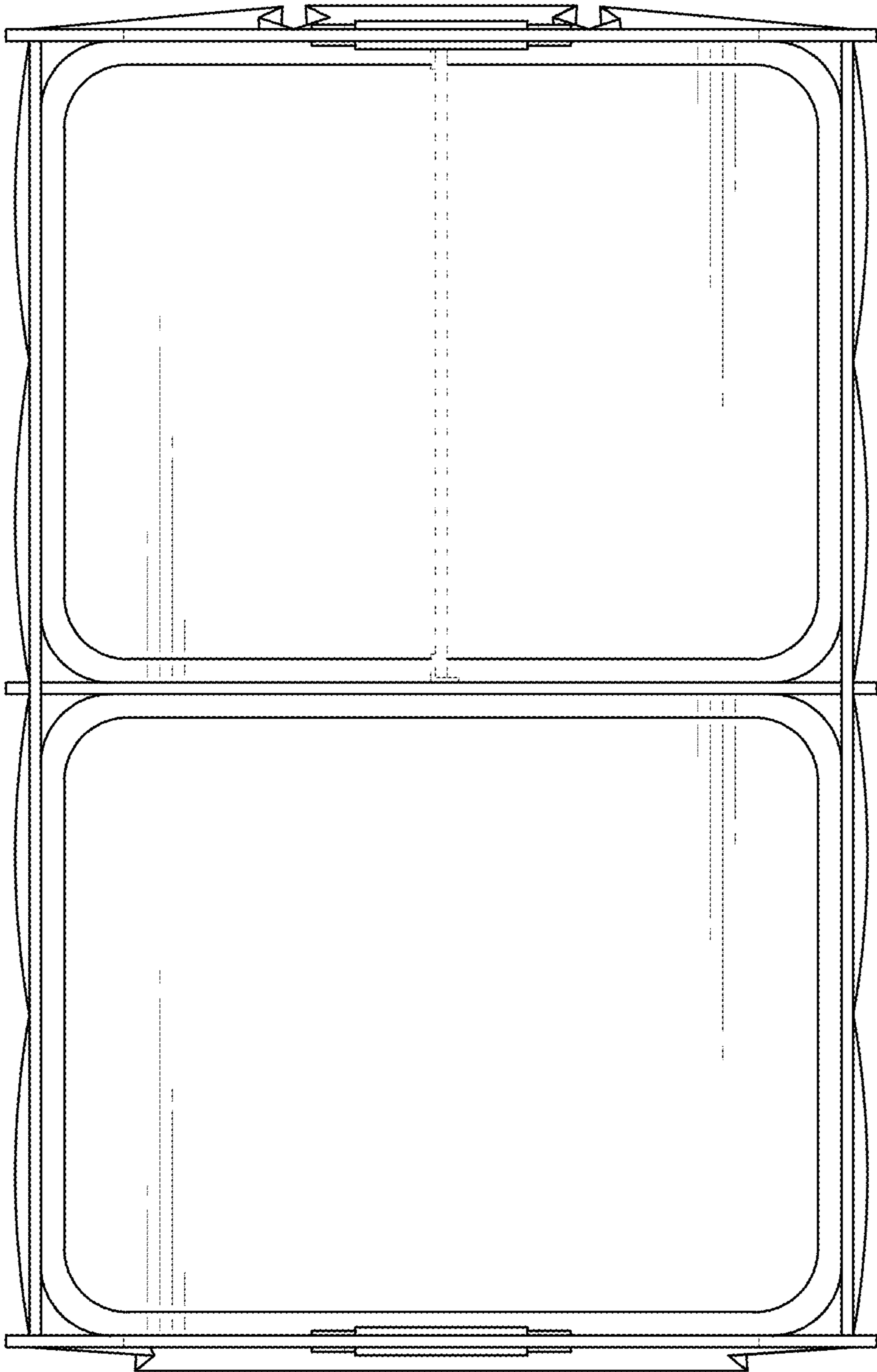


FIG.7



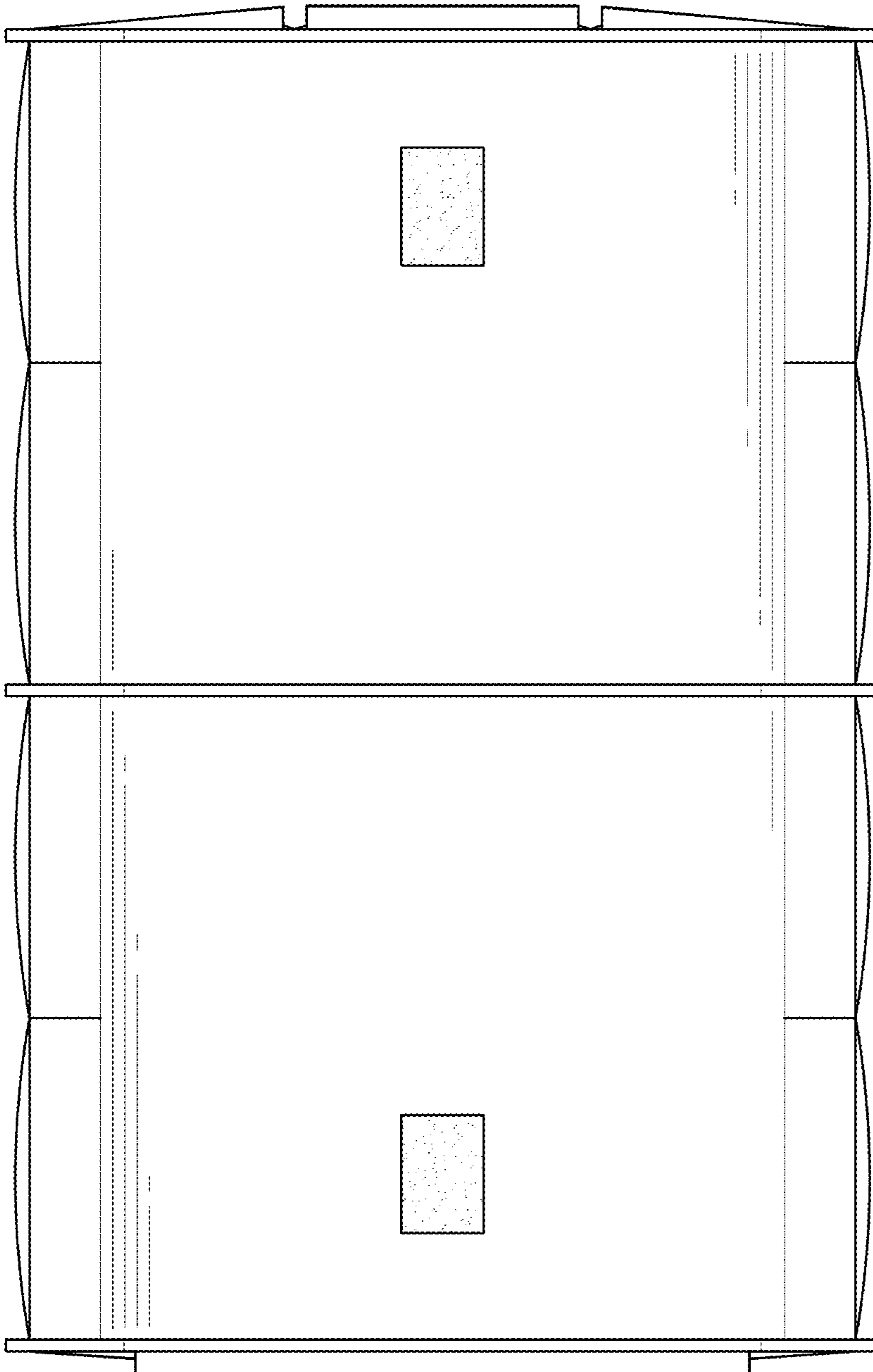


FIG.8

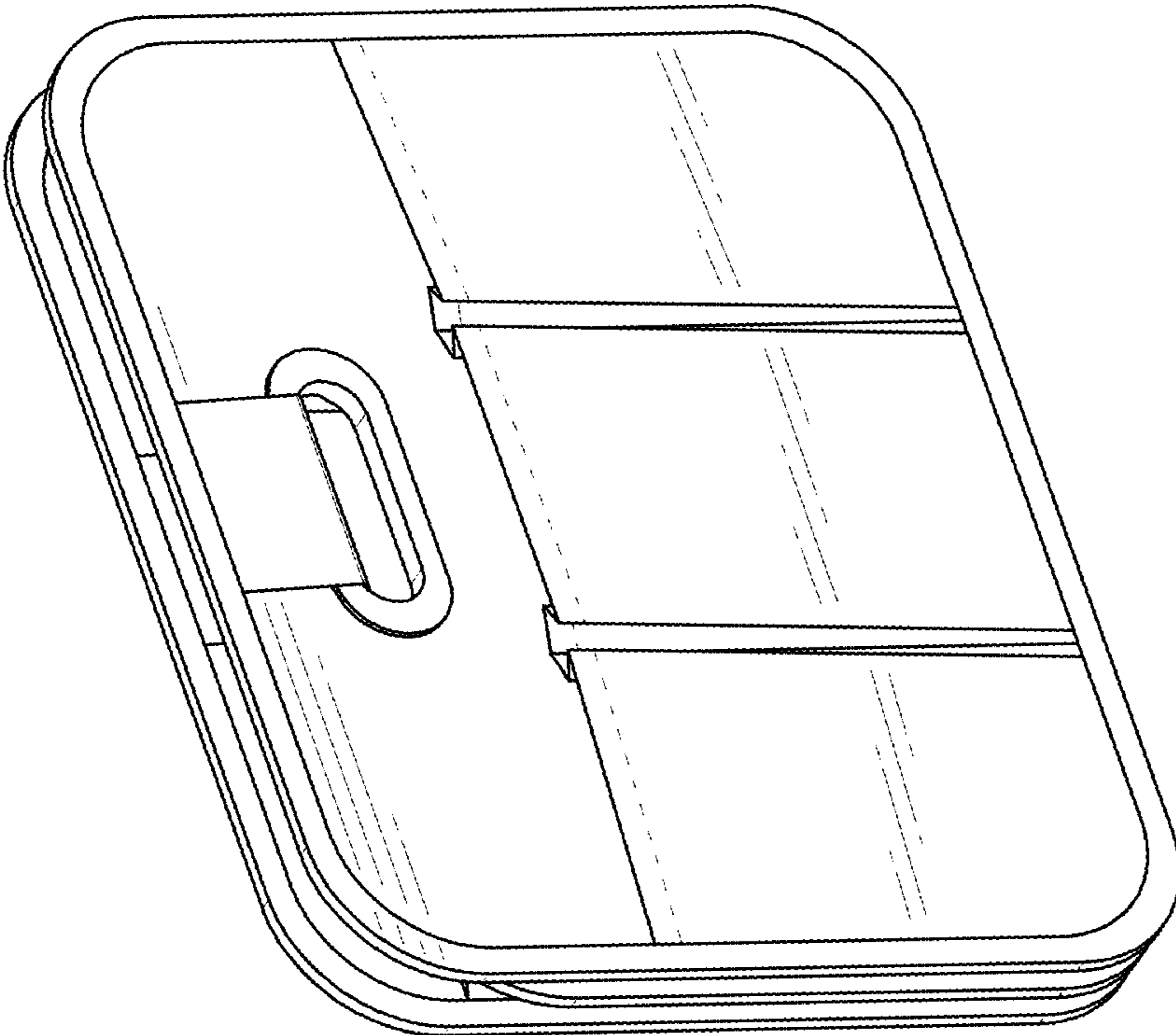


FIG.9