



US00D942361S

(12) **United States Design Patent**
Hensel et al.

(10) **Patent No.:** **US D942,361 S**

(45) **Date of Patent:** **** Feb. 1, 2022**

- (54) **BOAT**
- (71) Applicant: **MasterJetBoat GmbH**, Hamburg (DE)
- (72) Inventors: **Peter Hensel**, Hamburg (DE);
Gerhard M. Löding, Hamburg (DE)
- (**) Term: **15 Years**
- (21) Appl. No.: **29/713,932**
- (22) Filed: **Nov. 19, 2019**
- (51) **LOC (13) Cl.** **12-06**
- (52) **U.S. Cl.**
USPC **D12/307**
- (58) **Field of Classification Search**
USPC D12/300, 306, 307, 310, 311, 312, 313,
D12/314, 316; D21/542, 760, 803
CPC ... B63B 34/00; B63B 34/10; B63B 2035/002;
B63H 11/00
See application file for complete search history.

- 5,465,679 A * 11/1995 Mardikian B63B 17/0081
114/363
- 5,544,607 A * 8/1996 Rorabaugh B60F 3/0046
114/123
- D511,320 S * 11/2005 Bucaccio D12/307
- D550,603 S * 9/2007 Cote D12/307
- D739,330 S * 9/2015 Wamilton D12/307

OTHER PUBLICATIONS

Masterjetboat, Published date unavailable [online], [retrieved on Dec. 31, 2020]. Retrieved from the Internet: <https://masterjetboat.jimdo.com/> (Year: 2020).*

* cited by examiner

Primary Examiner — Cary M Robinson
Assistant Examiner — Adam C Mager
(74) *Attorney, Agent, or Firm* — Furr Law Firm; Jeffrey Furr, Esq.

(57) **CLAIM**

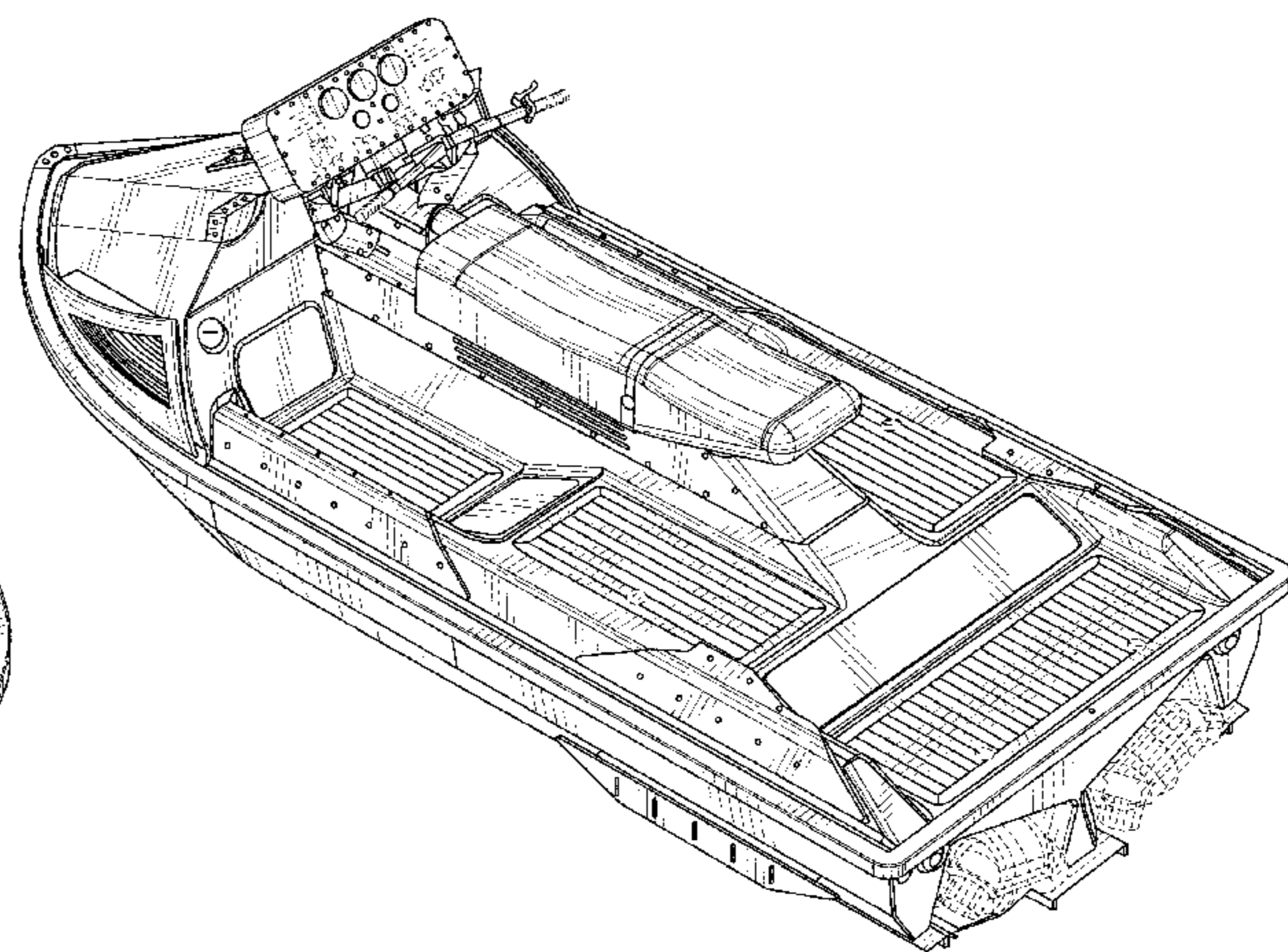
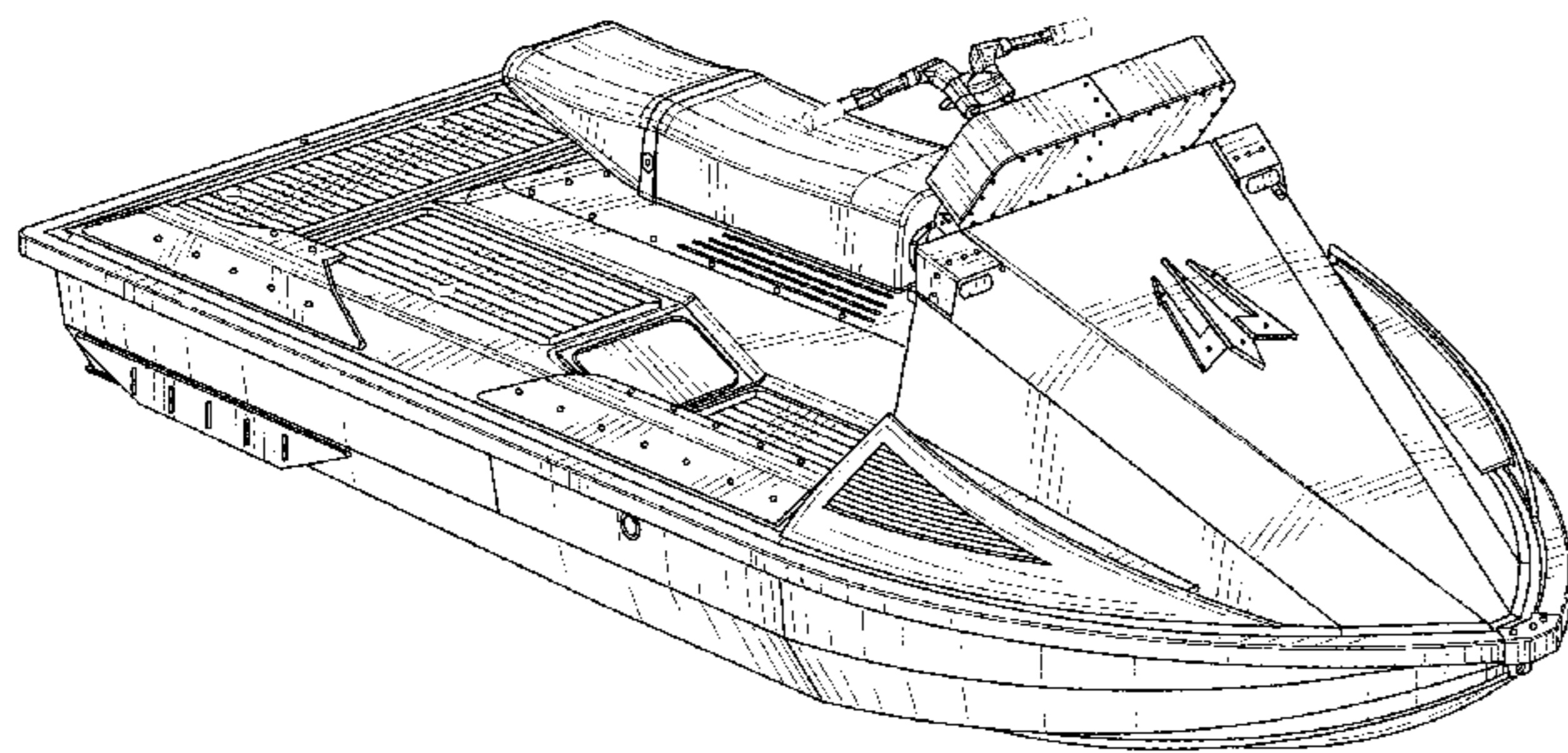
The ornamental design for a boat, as shown and described.

DESCRIPTION

FIG. 1 is a right side front perspective view of the boat showing my new design;
FIG. 2 is a left side front perspective view thereof;
FIG. 3 is a right side rear perspective view thereof;
FIG. 4 is a front view thereof;
FIG. 5 is a right side view thereof;
FIG. 6 is a rear view thereof;
FIG. 7 is a top view thereof; and,
FIG. 8 is a bottom view thereof.

1 Claim, 8 Drawing Sheets

- (56) **References Cited**
U.S. PATENT DOCUMENTS
- 5,056,450 A * 10/1991 Mardikian B63B 34/10
114/144 R
- 5,062,815 A * 11/1991 Kobayashi B63H 21/213
440/41
- D325,556 S * 4/1992 LaPointe D12/307
- D342,052 S * 12/1993 Schoell D12/300
- D342,931 S * 1/1994 Mardikian D12/307
- 5,309,856 A * 5/1994 Kobayashi B63B 34/10
114/55.57
- D359,469 S * 6/1995 Yoshida D12/300



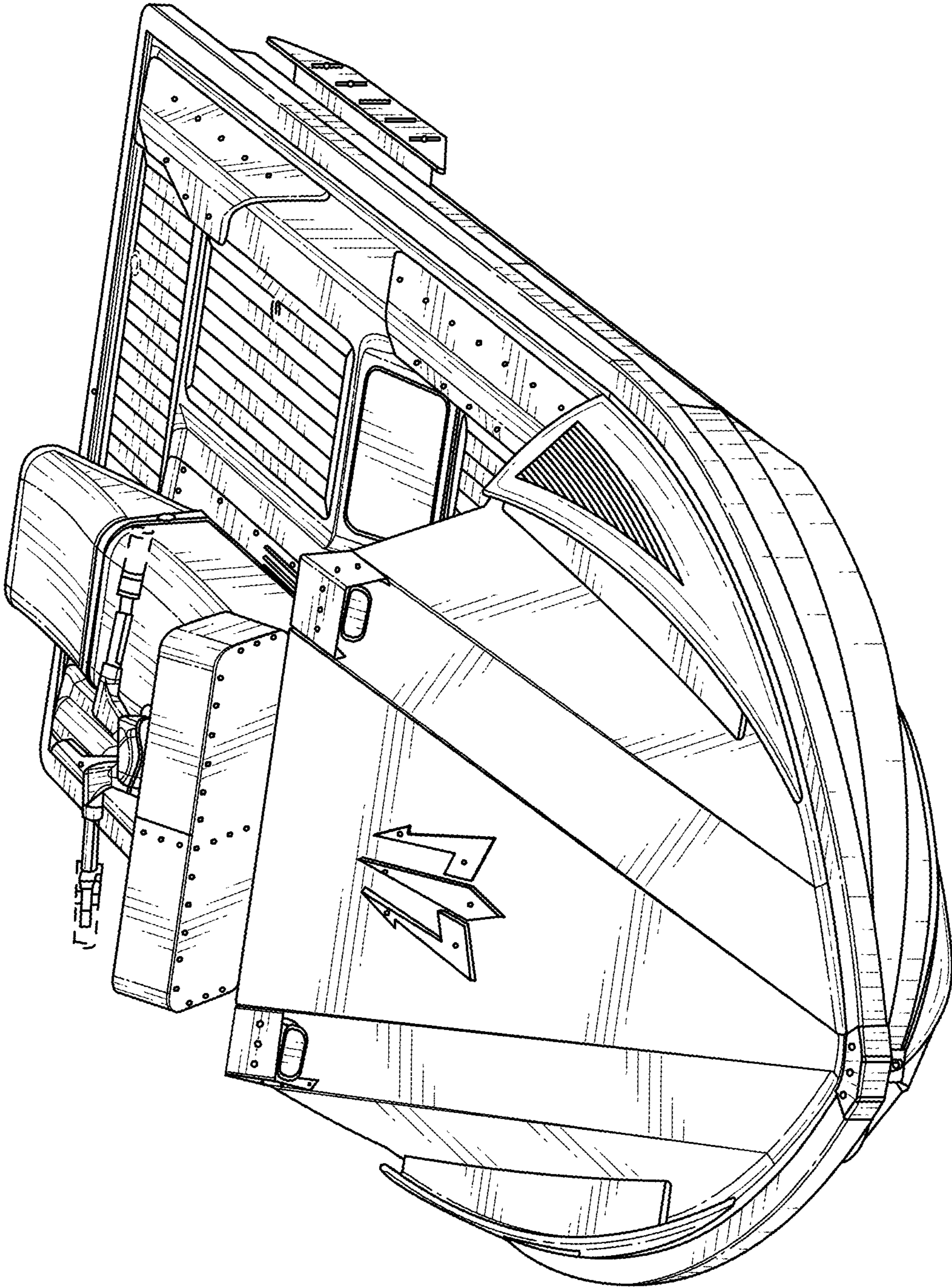


FIG. 1

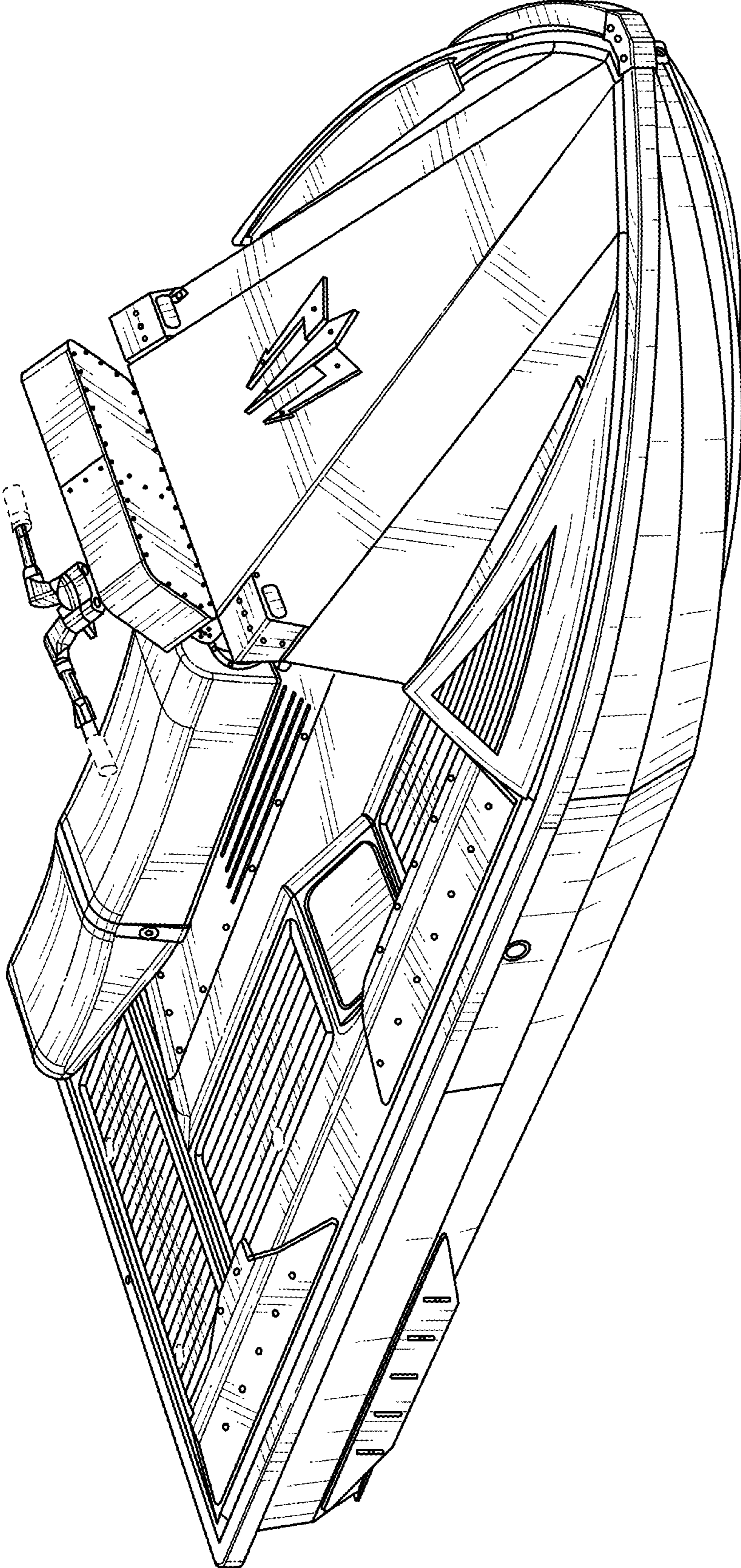


FIG. 2

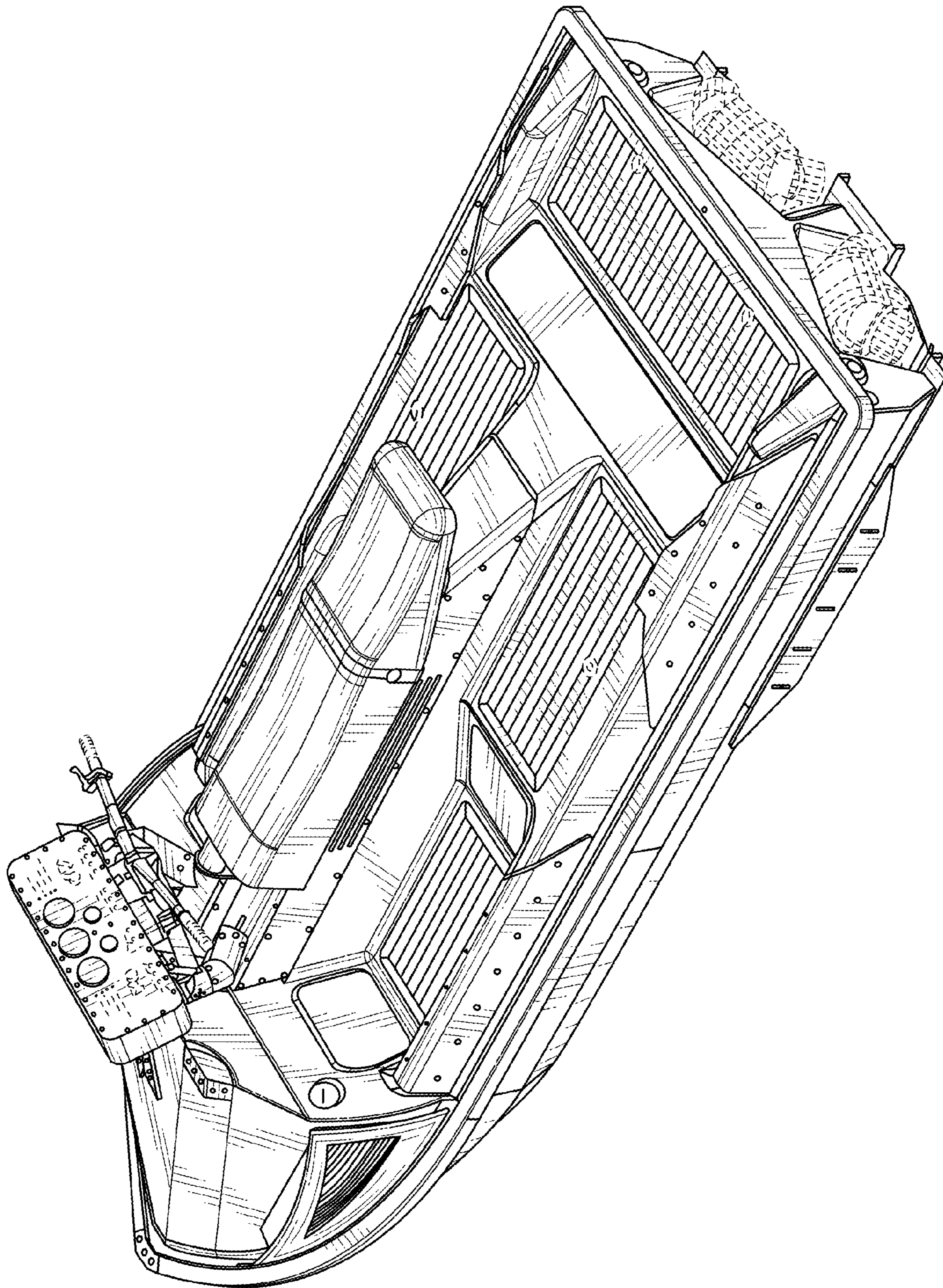


FIG. 3

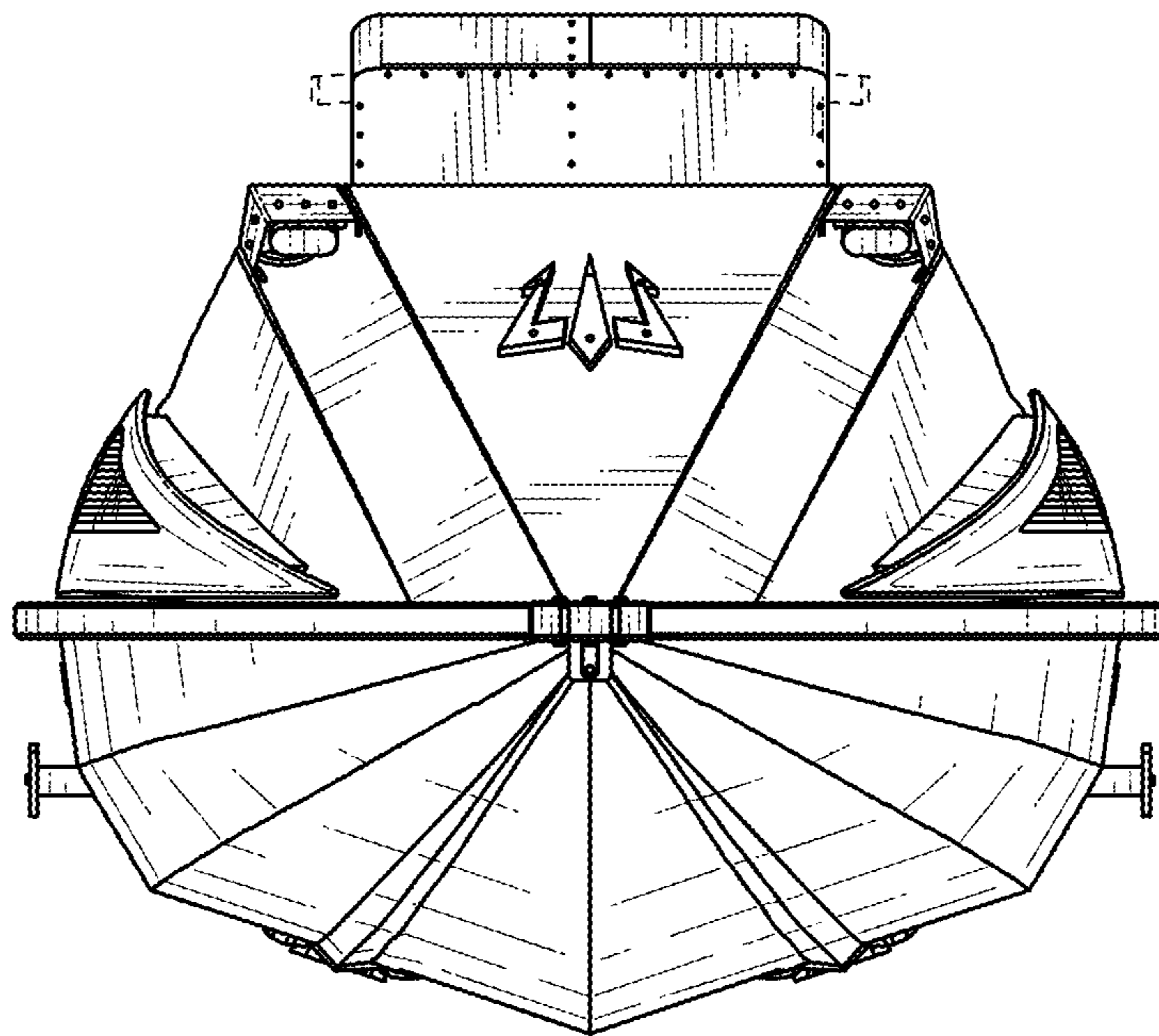


FIG. 4

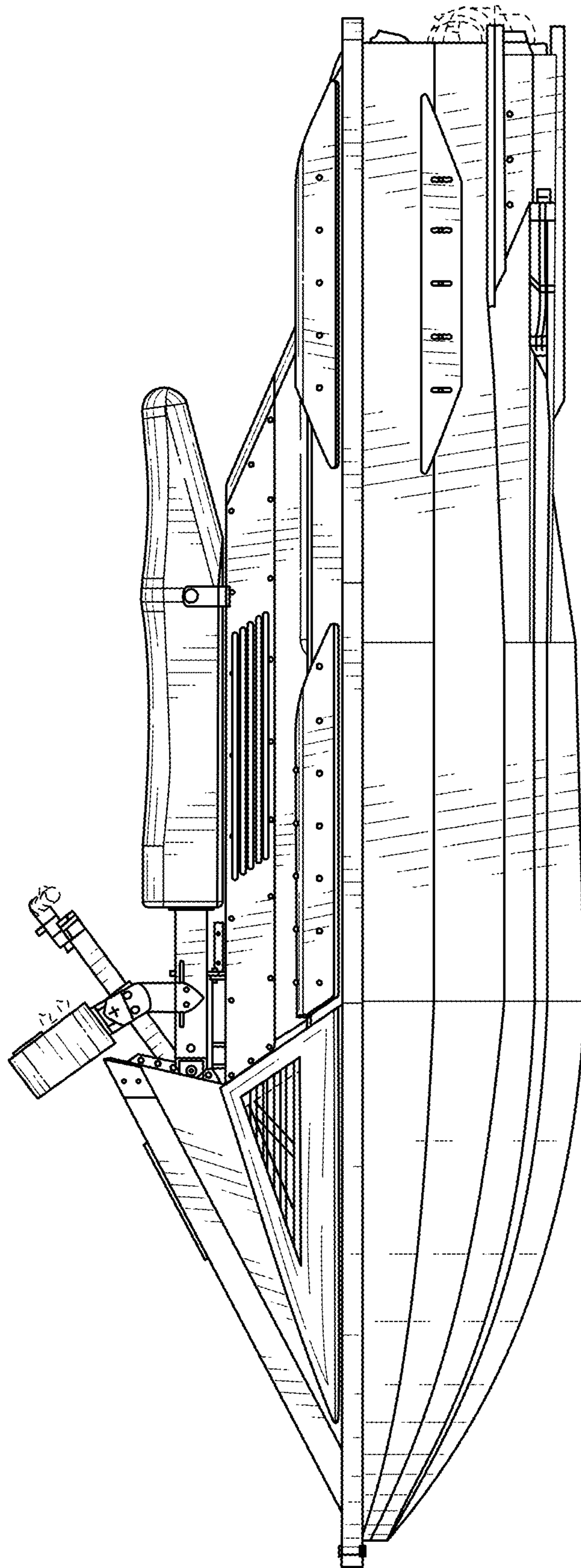


FIG. 5

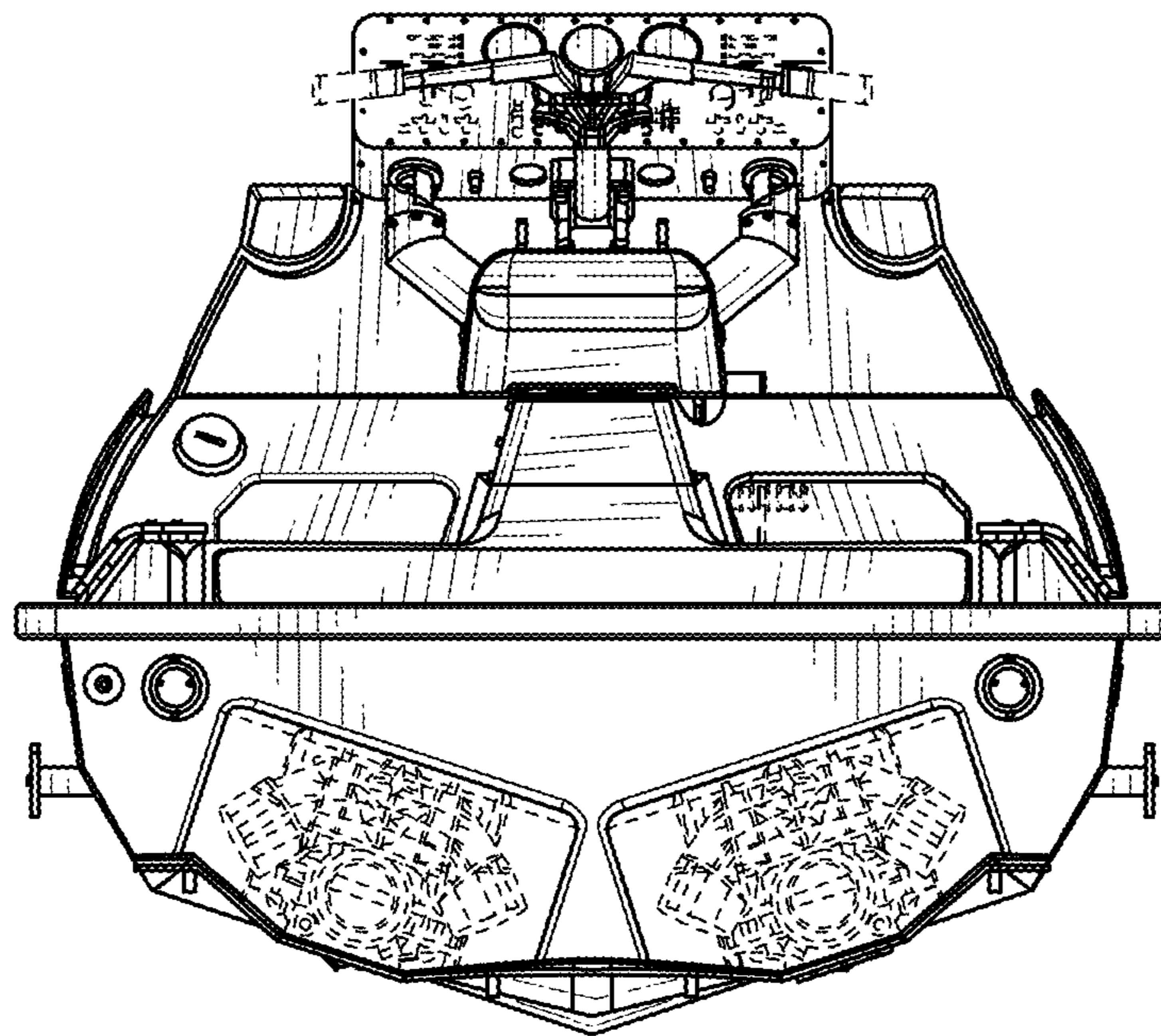


FIG. 6

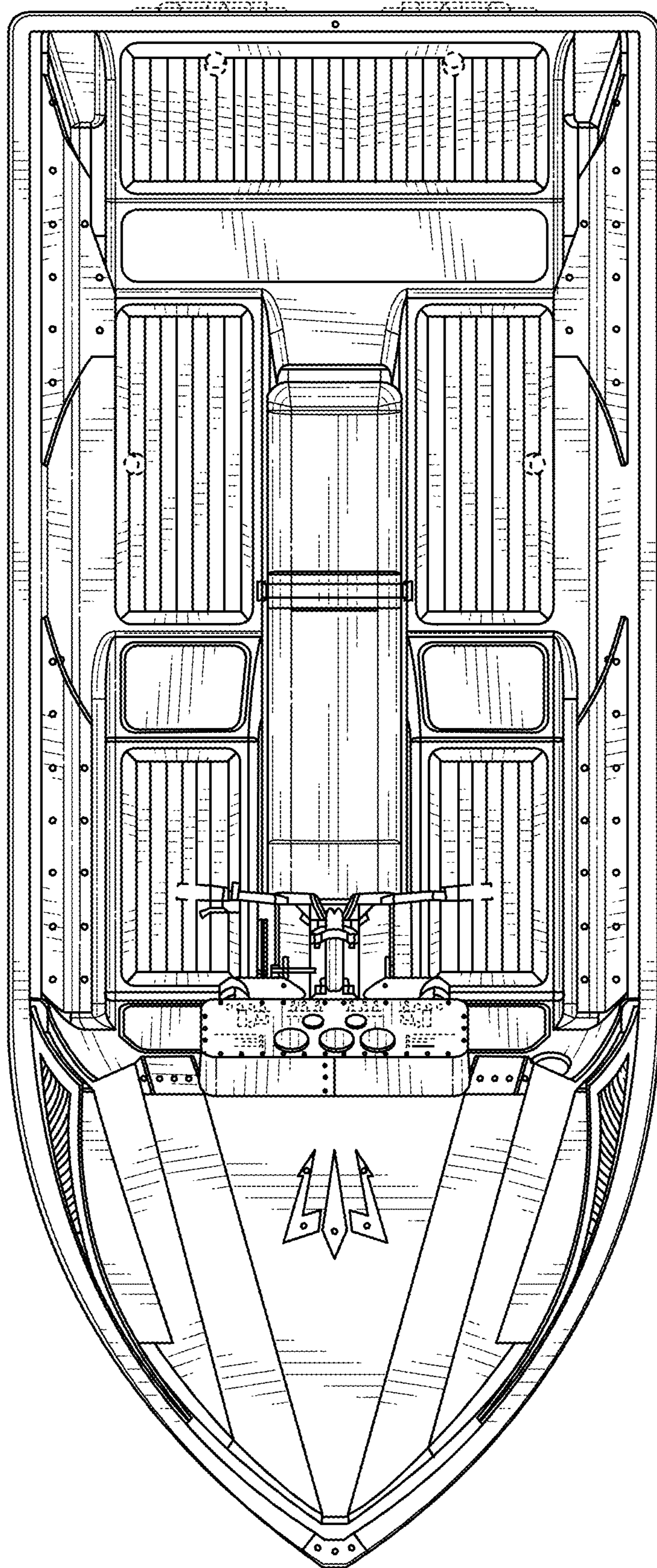


FIG. 7

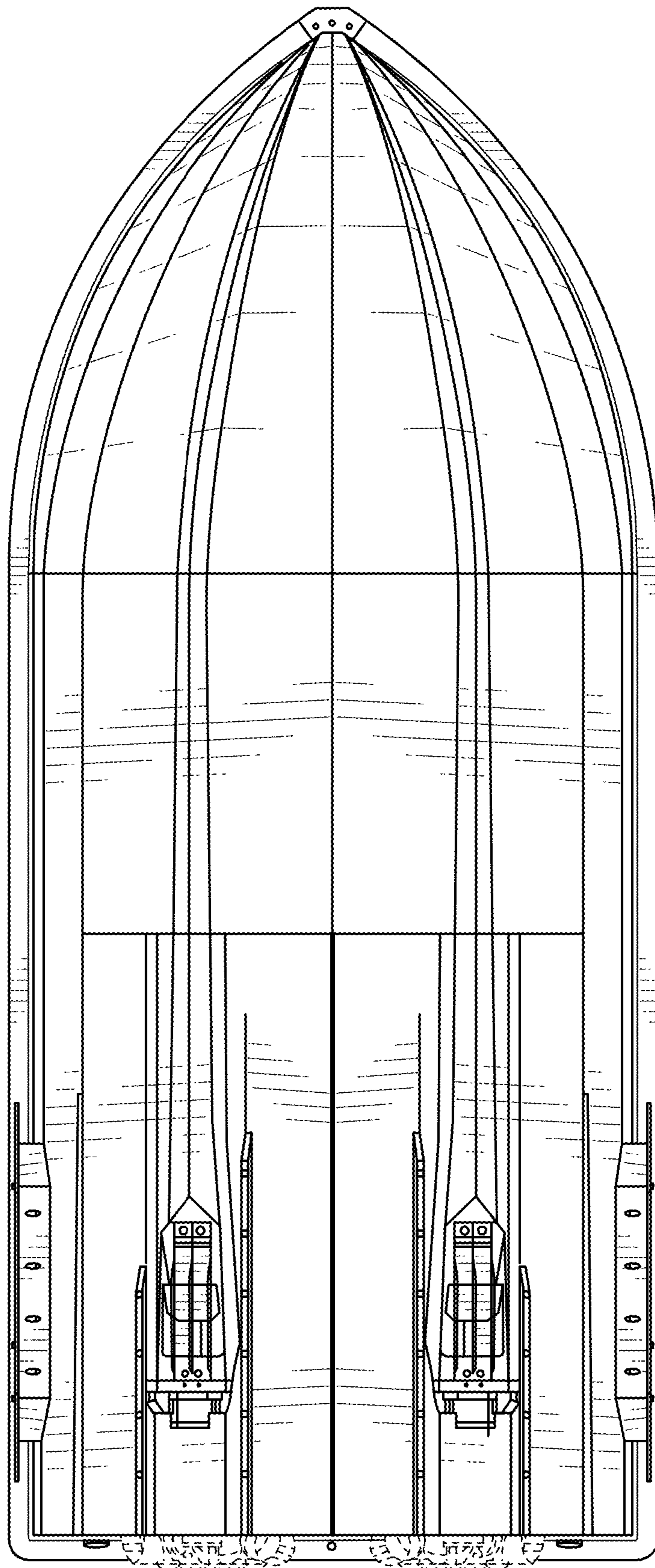


FIG. 8