



US00D942356S

(12) **United States Design Patent** (10) **Patent No.:** **US D942,356 S**
Alberio (45) **Date of Patent:** **** Feb. 1, 2022**

(54) **VEHICLE WHEEL RIM**
(71) Applicant: **Ruotemilano S.r.l.**, Milan (IT)
(72) Inventor: **Fabio Alberio**, Cinisello Balamo (IT)
(73) Assignee: **Ruotemilano S.r.l.**, Milan (IT)
(**) Term: **15 Years**
(21) Appl. No.: **35/509,711**
(22) Filed: **May 6, 2020**

D269,081 S * 5/1983 Hayashi D12/205
D284,000 S * 5/1986 Braungart D12/211
D311,717 S * 10/1990 Yoshida D12/211
D701,158 S * 3/2014 Hodges D12/211
D708,109 S * 7/2014 Hodges D12/209
D725,018 S * 3/2015 Zhao D12/209
9,283,805 B2 * 3/2016 Goto B60B 3/12
9,302,534 B2 * 4/2016 Goto B60B 3/041
9,302,535 B2 * 4/2016 Goto B60B 3/12
D775,046 S * 12/2016 Huang D12/209
D801,251 S * 10/2017 Chung D12/209
D836,520 S * 12/2018 Han D12/209
D837,710 S * 1/2019 Chung D12/209
D863,191 S * 10/2019 Han D12/209
D867,255 S * 11/2019 Tian D12/209

(80) **Hague Agreement Data**
Int. Filing Date: **May 6, 2020**
Int. Reg. No.: **DM/208868**
Int. Reg. Date: **May 6, 2020**
Int. Reg. Pub. Date: **Jul. 3, 2020**

* cited by examiner

Primary Examiner — Darlington Ly
(74) *Attorney, Agent, or Firm* — Merchant & Gould P.C.

(30) **Foreign Application Priority Data**
Nov. 22, 2019 (EM) 007277371
(51) **LOC (13) Cl.** **12-16**
(52) **U.S. Cl.**
USPC **D12/209**
(58) **Field of Classification Search**
USPC D12/204–213
CPC B60B 1/00; B60B 1/08; B60B 1/10; B60B
1/12; B60B 3/04; B60B 3/06; B60B 3/10;
B60B 3/02; B60B 7/00; B60B 7/01;
B60B 7/02; B60B 7/04; B60B 7/06
See application file for complete search history.

(57) **CLAIM**

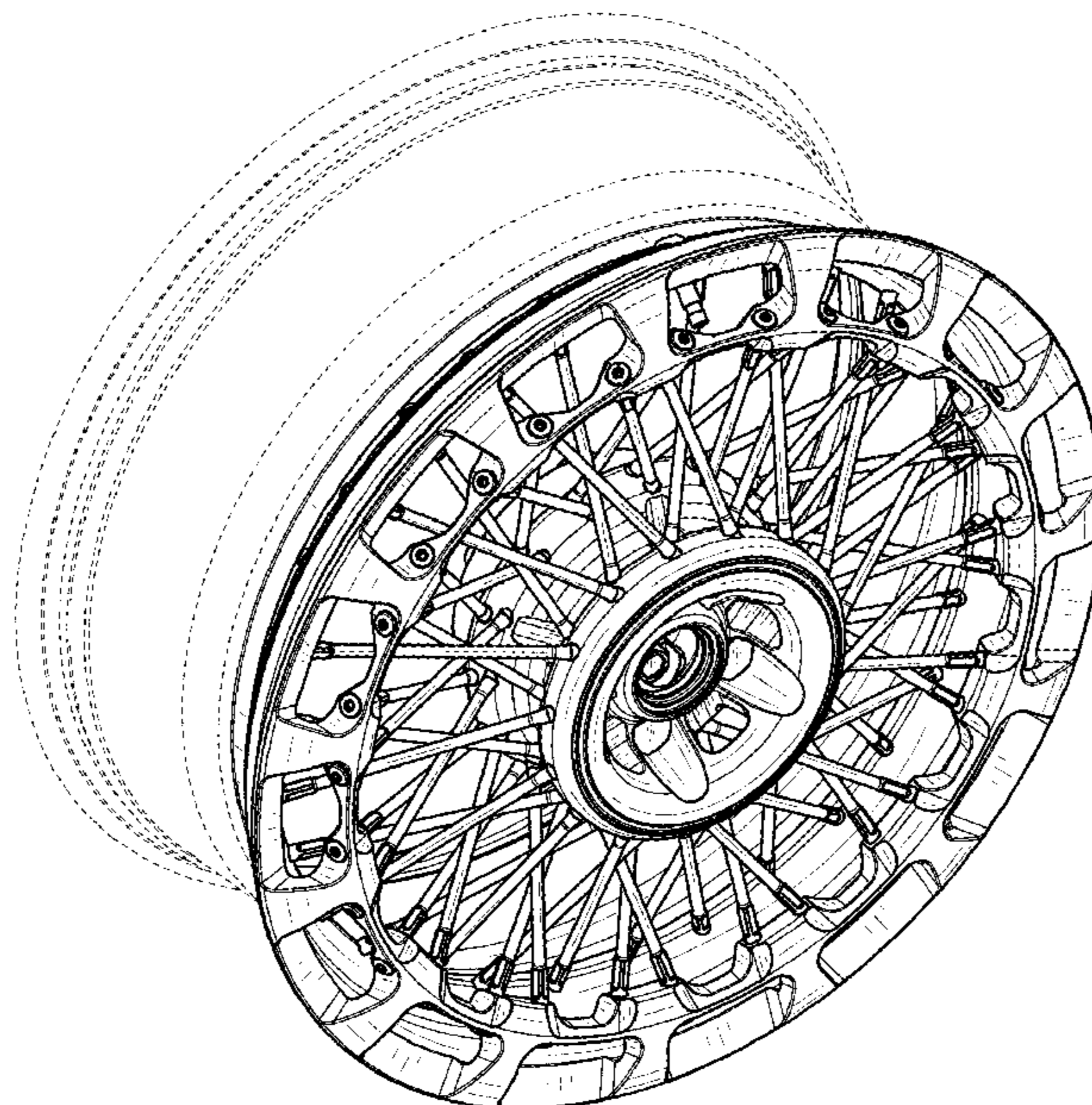
The ornamental design for a vehicle wheel rim, as shown and described.

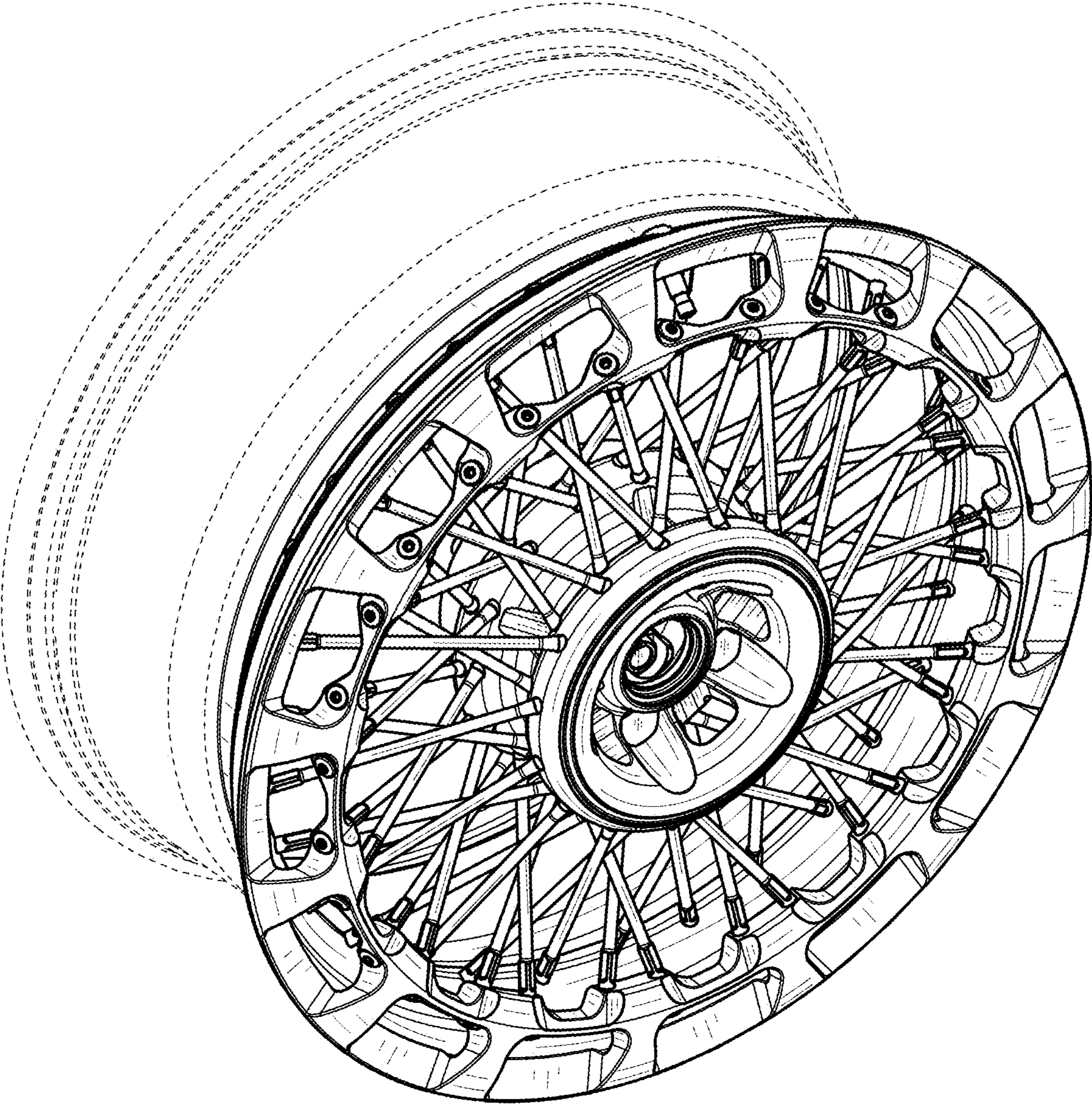
DESCRIPTION

1. Vehicle wheel rim
1.1: is a perspective view of a vehicle wheel rim embodying my new design;
1.2: is a front elevation view thereof;
1.3: is a right side elevation view thereof;
1.4: is a left side elevation view thereof;
1.5: is a top plan view thereof;
1.6: is a bottom plan view thereof; and
1.7: is an enlarged and partial front elevation thereof.
The broken lines in the reproductions illustrate portions of the vehicle wheel rim that form no part of the claimed design.

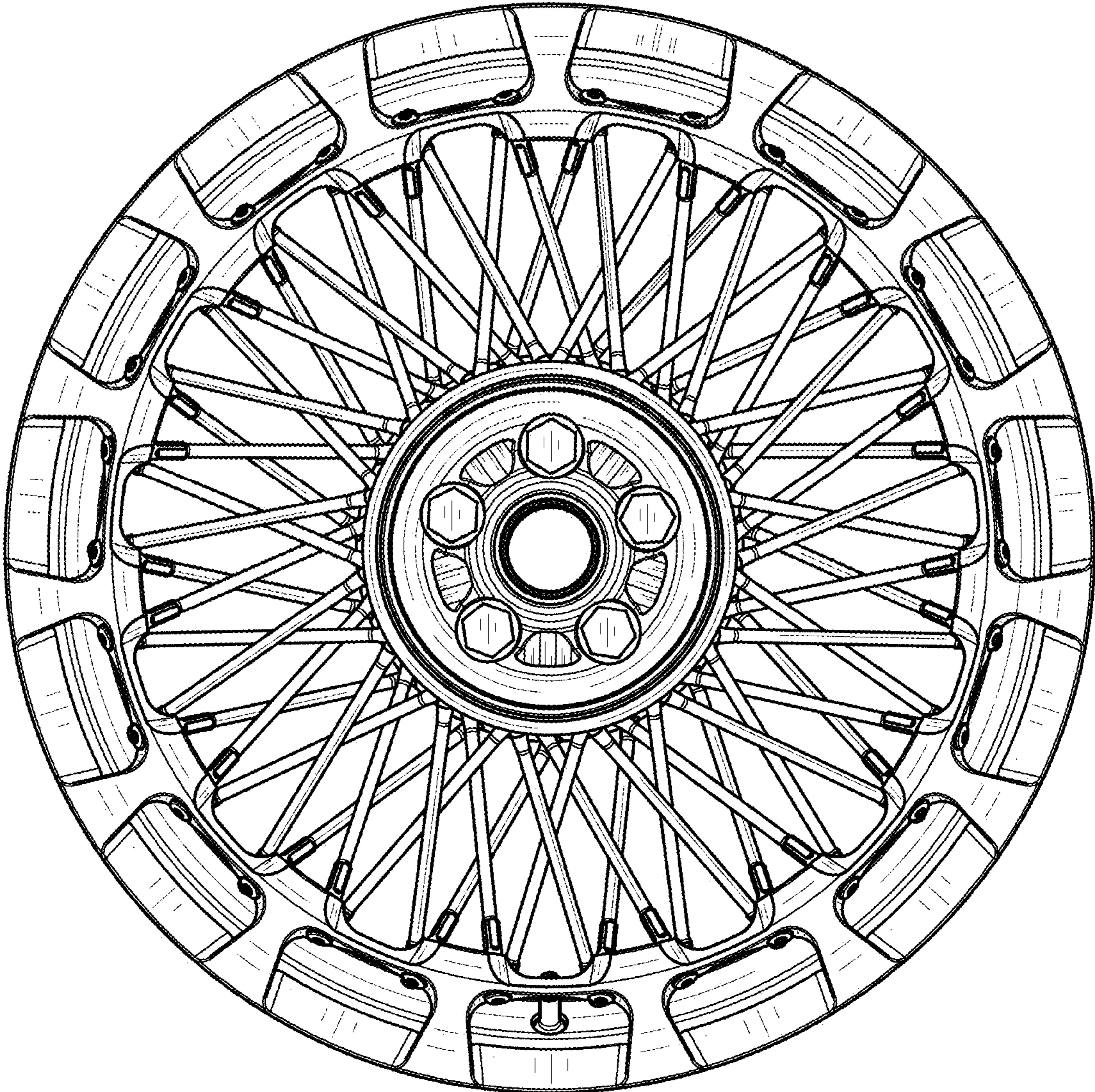
(56) **References Cited**
U.S. PATENT DOCUMENTS
D232,630 S * 9/1974 Siroonian et al. D12/205
D233,328 S * 10/1974 Clary et al. D12/205

1 Claim, 7 Drawing Sheets

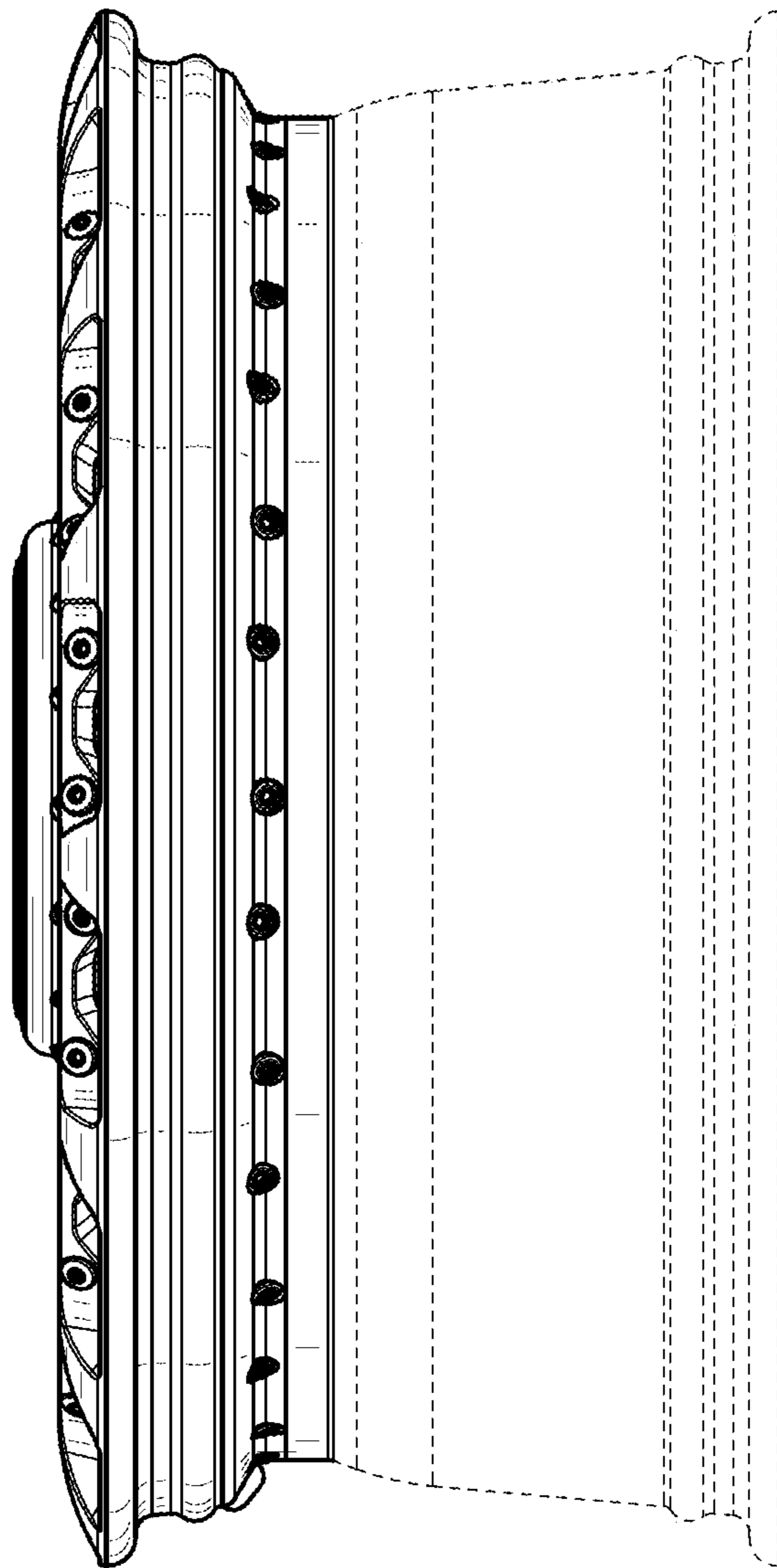




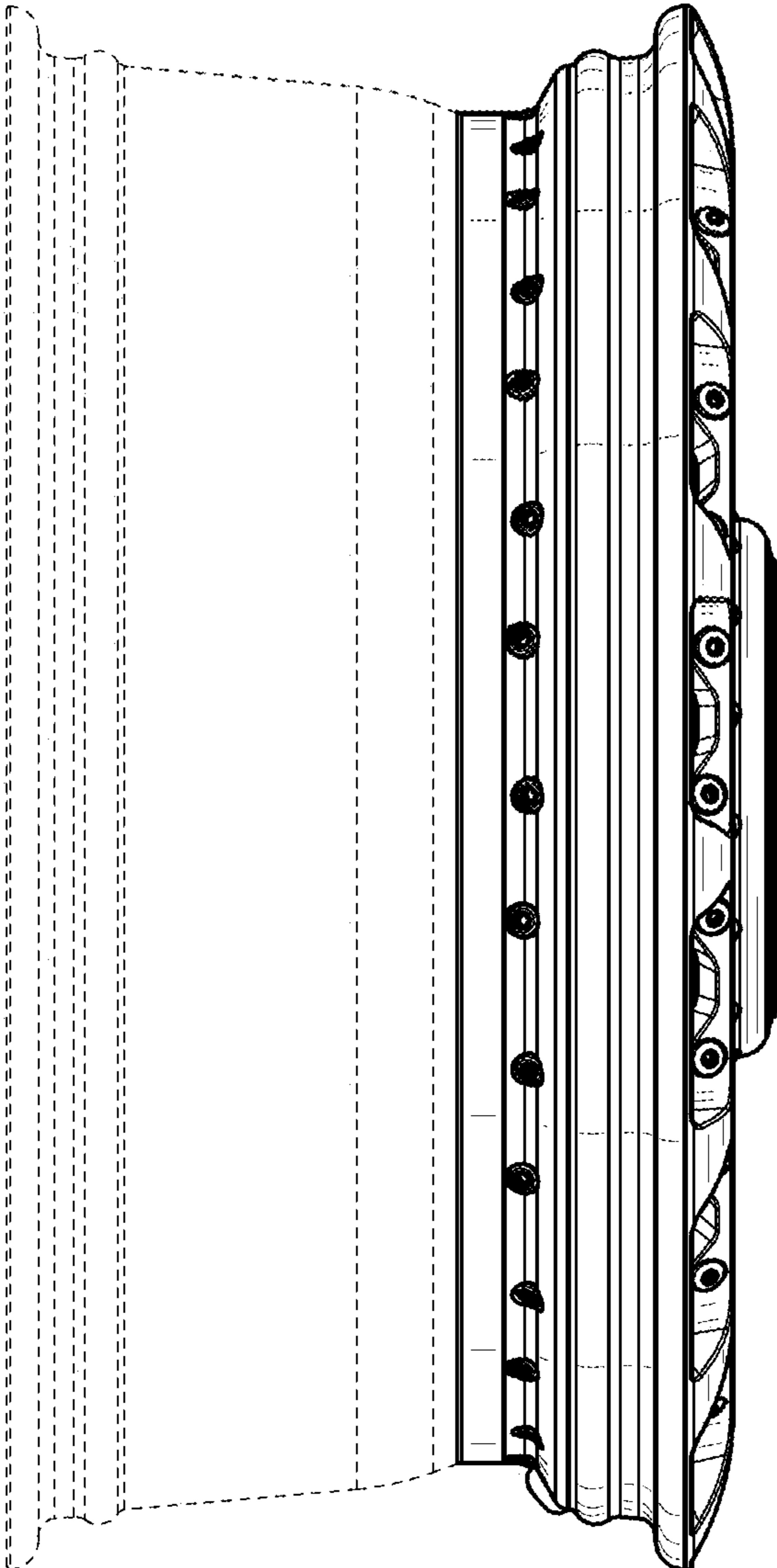
1.1



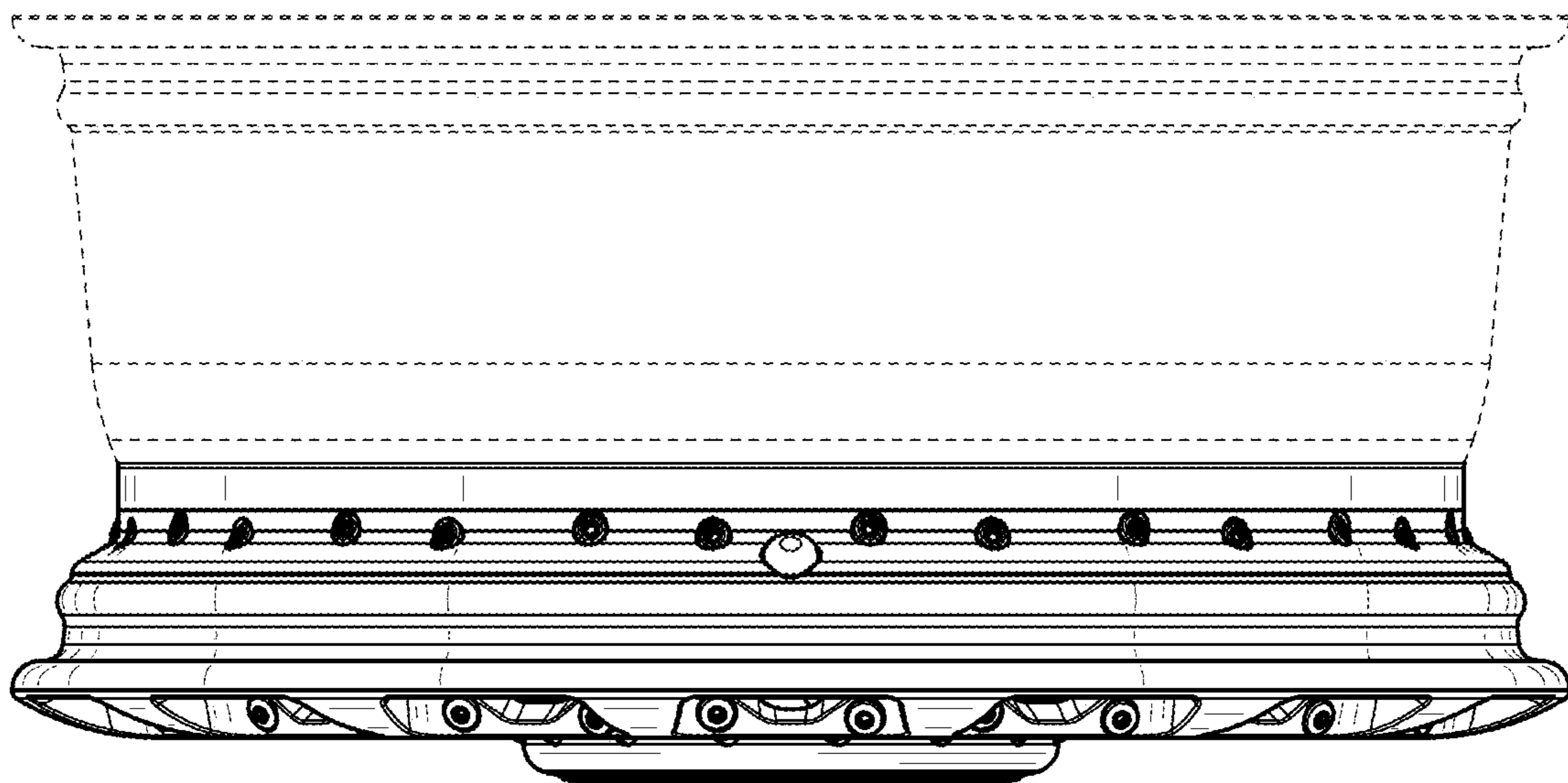
1.2



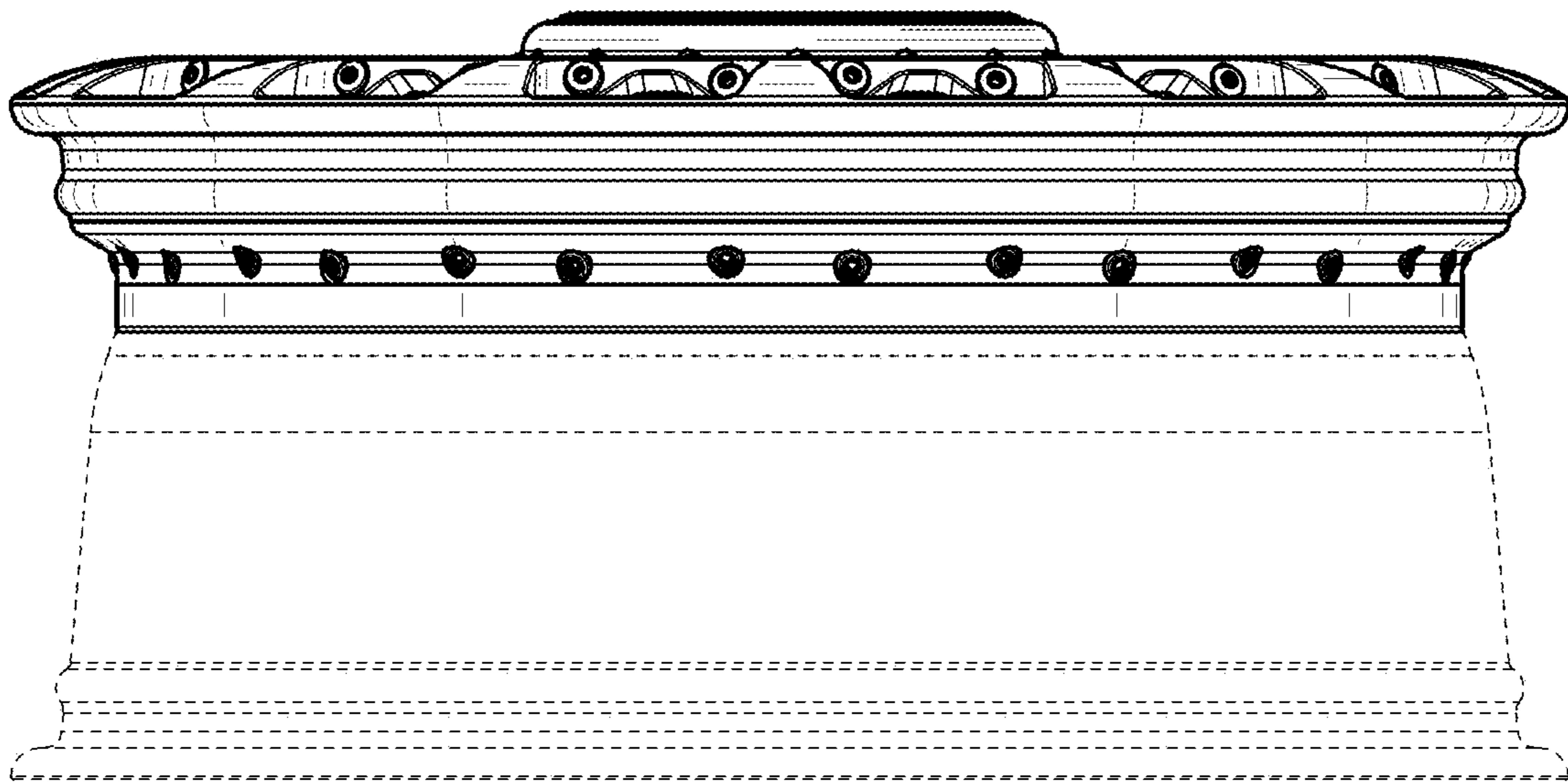
1.3



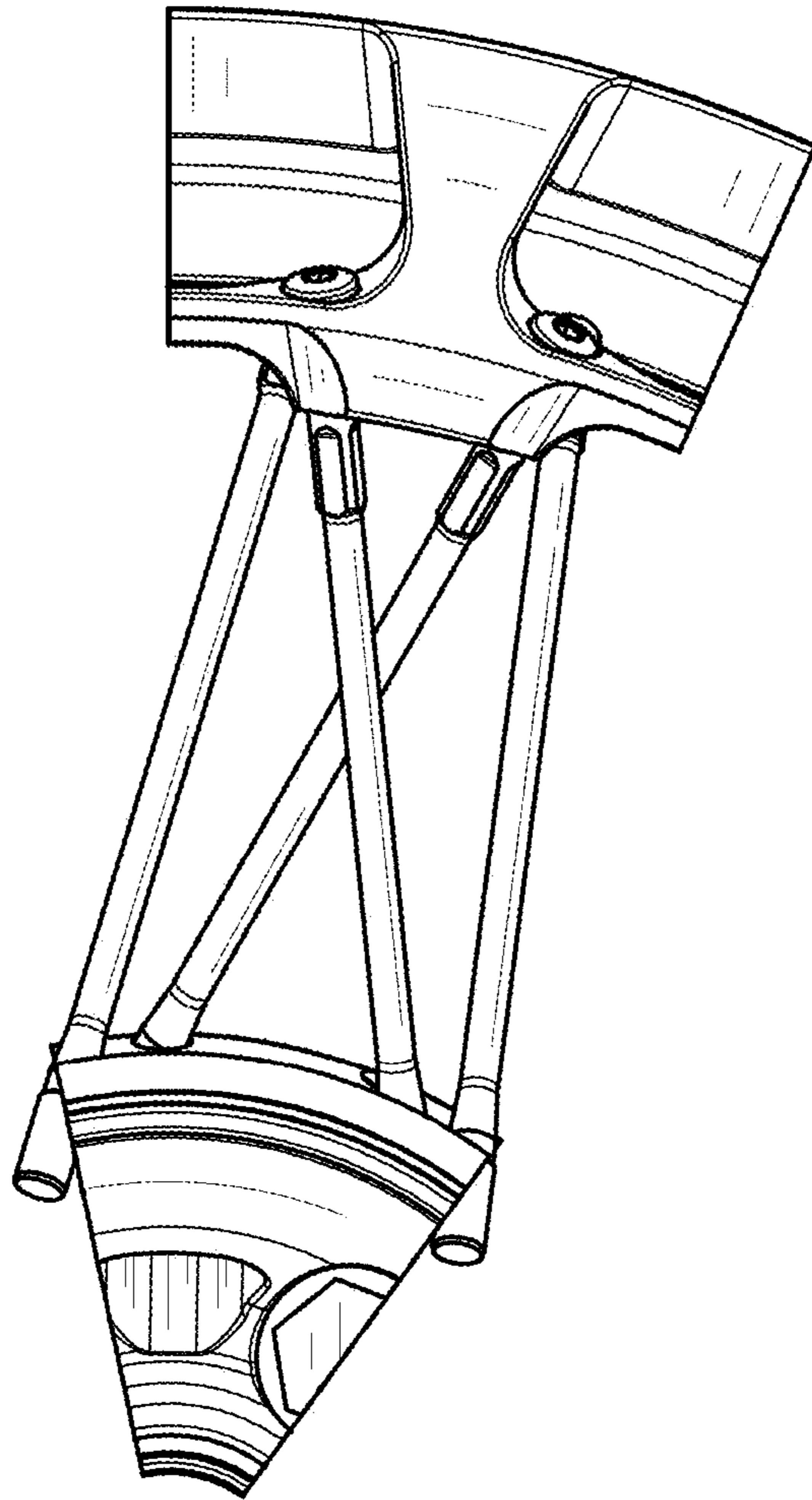
1.4



1.5



1.6



1.7