



US00D942353S

(12) **United States Design Patent**
Han

(10) **Patent No.:** **US D942,353 S**

(45) **Date of Patent:** **** Feb. 1, 2022**

(54) **AUTOMOTIVE WHEEL**

(71) Applicant: **Donnie Han**, Irvine, CA (US)

(72) Inventor: **Donnie Han**, Irvine, CA (US)

(**) Term: **15 Years**

(21) Appl. No.: **29/757,865**

(22) Filed: **Nov. 10, 2020**

(51) **LOC (13) Cl.** **12-16**

(52) **U.S. Cl.**
USPC **D12/209**

(58) **Field of Classification Search**

USPC D12/204-213; D21/563

CPC B60B 7/00; B60B 7/02; B60B 7/04; B60B 7/01; B60B 7/06; B60B 3/02; B60B 3/04; B60B 3/06; B60B 3/10; B60B 1/00; B60B 1/08; B60B 1/10; B60B 1/12

See application file for complete search history.

(56) **References Cited**

U.S. PATENT DOCUMENTS

D419,948 S * 2/2000 Cahyono D12/211
D726,087 S * 4/2015 Breyton D12/211

D760,142 S * 6/2016 Chu D12/211
D824,316 S * 7/2018 Tran D12/209
D840,895 S * 2/2019 Luo D12/209
D859,265 S * 9/2019 Guidry D12/209
D865,616 S * 11/2019 Tran D12/209
D865,626 S * 11/2019 Han D12/209
D873,756 S * 1/2020 Melville-Brown D12/209
D881,101 S * 4/2020 Liu D12/209
D891,344 S * 7/2020 Platto D12/209
D892,017 S * 8/2020 Han D12/209
D895,520 S * 9/2020 Badstuebner D12/211
D902,116 S * 11/2020 Han D12/209
D928,060 S * 8/2021 Han D12/209
D934,769 S * 11/2021 Sempek D12/209

* cited by examiner

Primary Examiner — Stacia A Cadmus

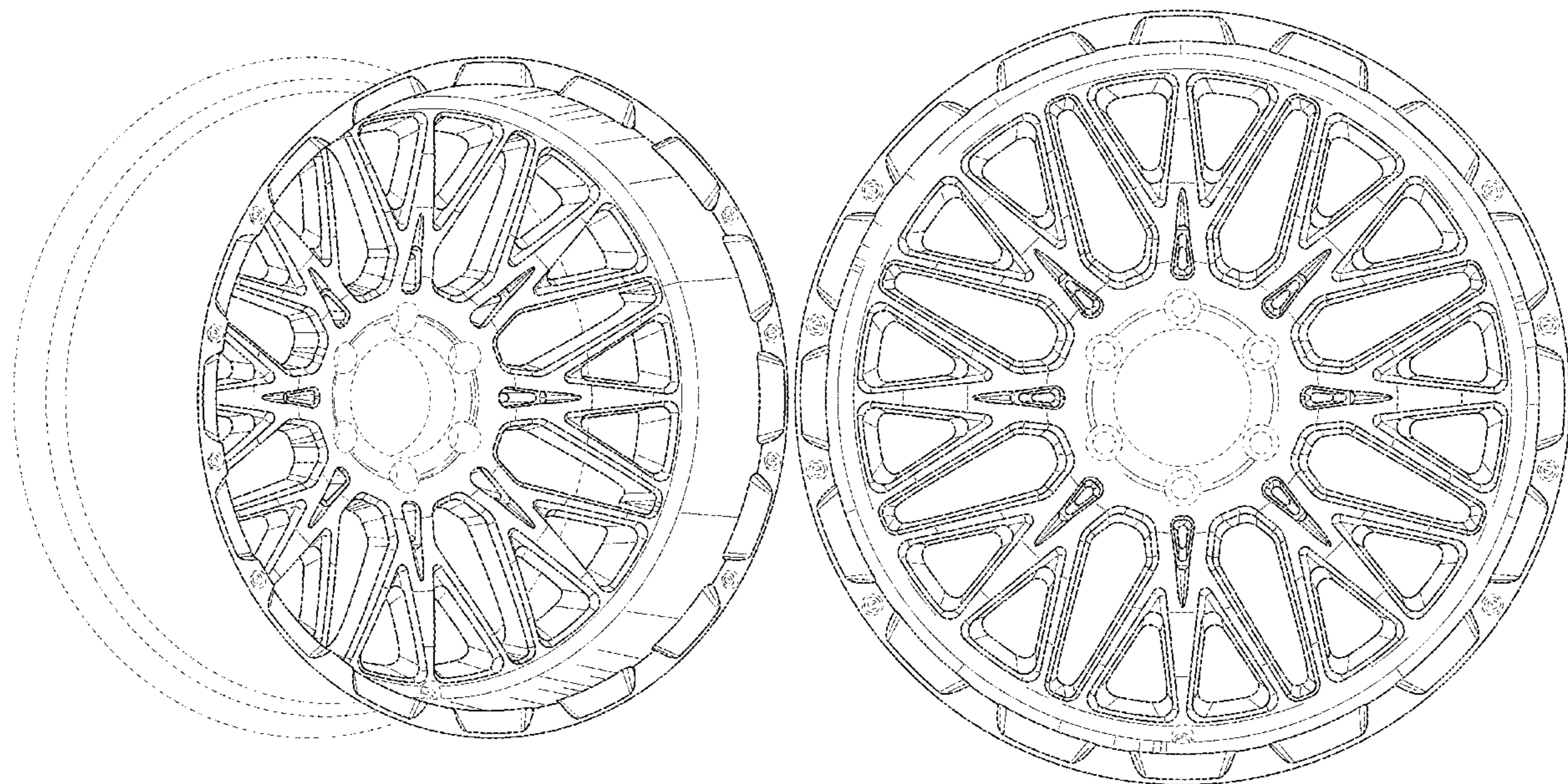
(57) **CLAIM**

The ornamental design for an automotive wheel, as shown and described.

DESCRIPTION

FIG. 1 is a perspective view of an automotive wheel, showing my new design; and, FIG. 2 is a front view thereof. In the drawings, the portions of the wheel shown in broken lines form no part of the claimed design.

1 Claim, 2 Drawing Sheets



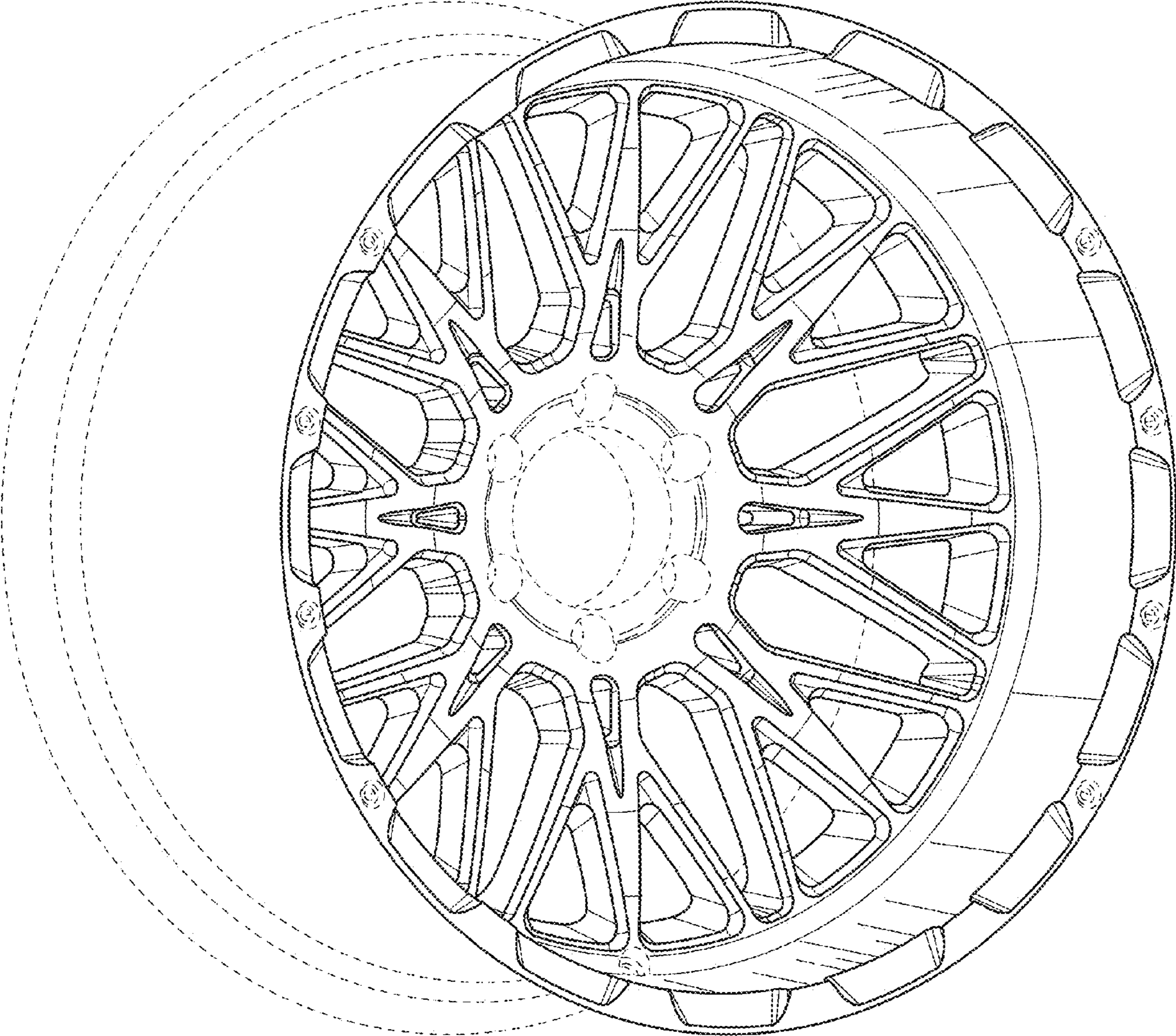


FIGURE 1

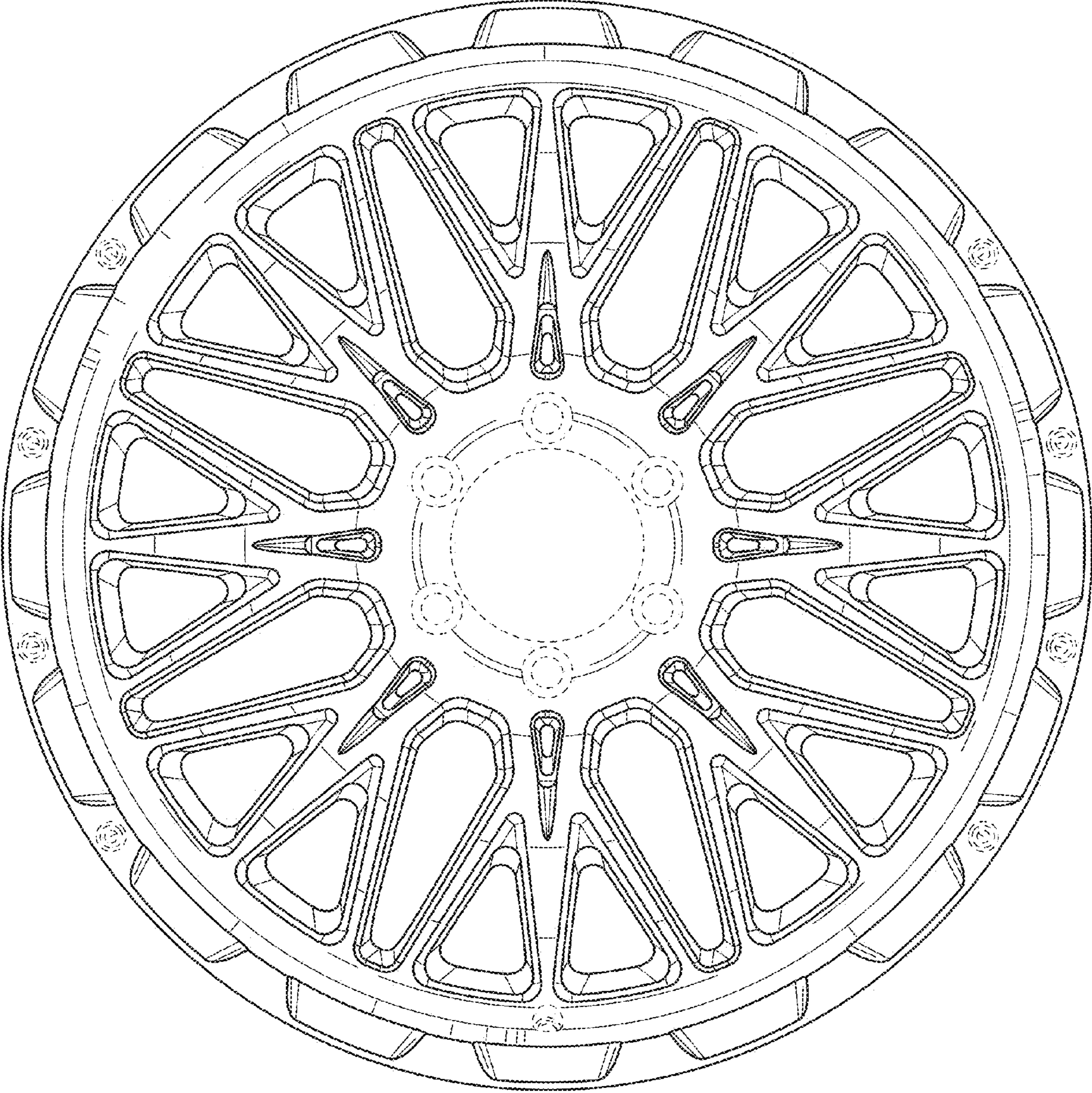


FIGURE 2