



US00D942352S

(12) **United States Design Patent**  
**Han**

(10) **Patent No.:** **US D942,352 S**

(45) **Date of Patent:** **\*\* Feb. 1, 2022**

(54) **AUTOMOTIVE WHEEL**

(71) Applicant: **Donnie Han**, Irvine, CA (US)

(72) Inventor: **Donnie Han**, Irvine, CA (US)

(\*\*) Term: **15 Years**

(21) Appl. No.: **29/757,854**

(22) Filed: **Nov. 10, 2020**

(51) **LOC (13) Cl.** ..... **12-16**

(52) **U.S. Cl.**  
USPC ..... **D12/209**

(58) **Field of Classification Search**  
USPC ..... D12/204-213; D21/563  
CPC .... B60B 7/00; B60B 7/02; B60B 7/04; B60B  
7/01; B60B 7/06; B60B 3/02; B60B 3/04;  
B60B 3/06; B60B 3/10; B60B 1/00;  
B60B 1/08; B60B 1/10; B60B 1/12

See application file for complete search history.

(56) **References Cited**

**U.S. PATENT DOCUMENTS**

D817,843 S \* 5/2018 Hale, Jr. .... D12/209  
D838,644 S \* 1/2019 Chung ..... D12/209

D840,900 S \* 2/2019 Licklitter ..... D12/211  
D856,255 S \* 8/2019 Johnson ..... D12/209  
D857,592 S \* 8/2019 Han ..... D12/209  
D874,375 S \* 2/2020 Han ..... D12/209  
D877,676 S \* 3/2020 Lee ..... D12/209  
D889,368 S \* 7/2020 Lee ..... D12/209  
D913,183 S \* 3/2021 Aslam ..... D12/211  
D918,119 S \* 5/2021 Han ..... D12/209  
D920,205 S \* 5/2021 Johnson ..... D12/209  
D929,292 S \* 8/2021 Han ..... D12/209  
D930,546 S \* 9/2021 Han ..... D12/209

\* cited by examiner

*Primary Examiner* — Stacia A Cadmus

(57) **CLAIM**

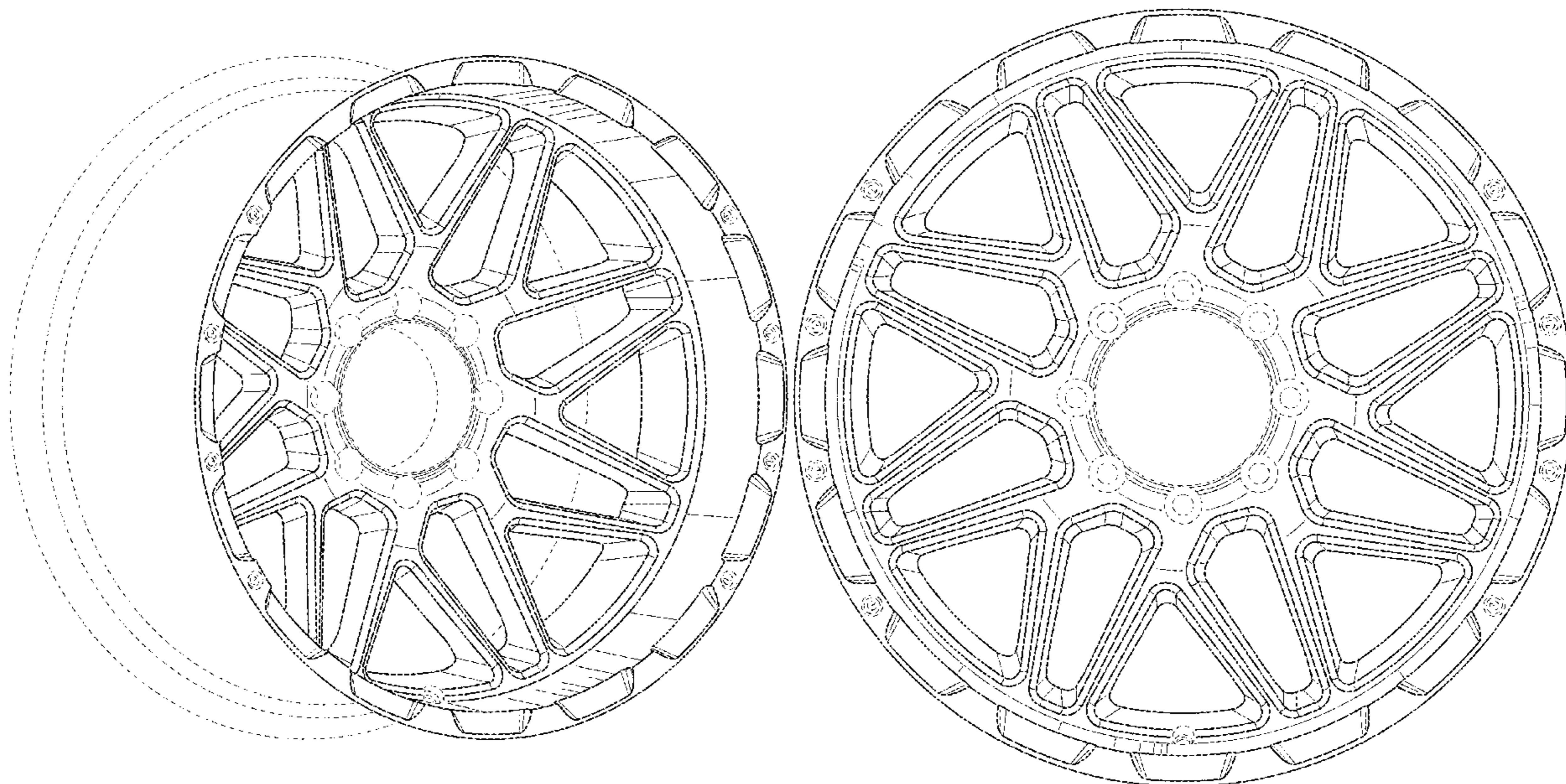
The ornamental design for an automotive wheel, as shown and described.

**DESCRIPTION**

FIG. 1 is a perspective view of an automotive wheel, showing my new design; and, FIG. 2 is a front view thereof.

In the drawings, the portions of the wheel shown in broken lines form no part of the claimed design.

**1 Claim, 2 Drawing Sheets**



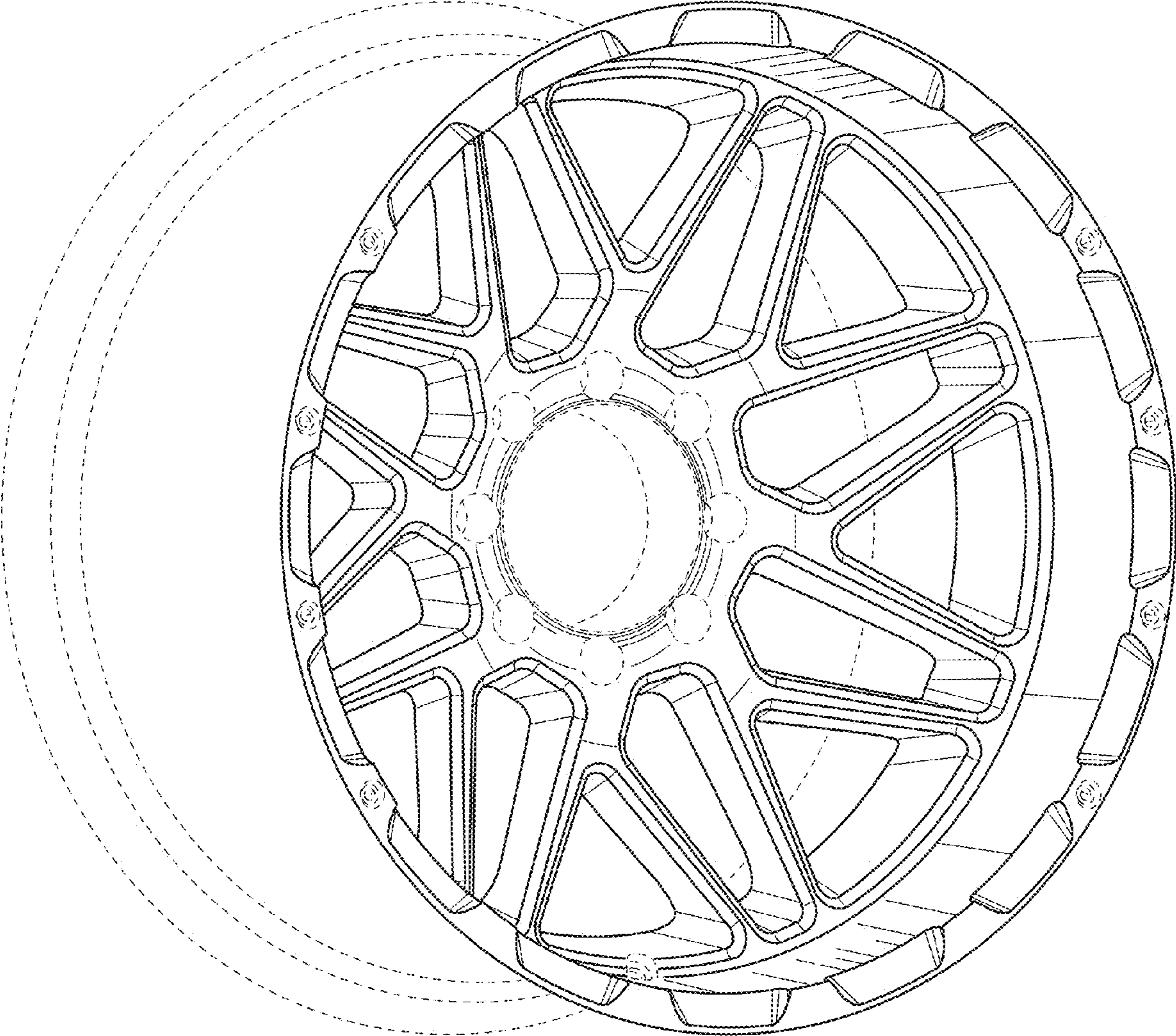


FIGURE 1

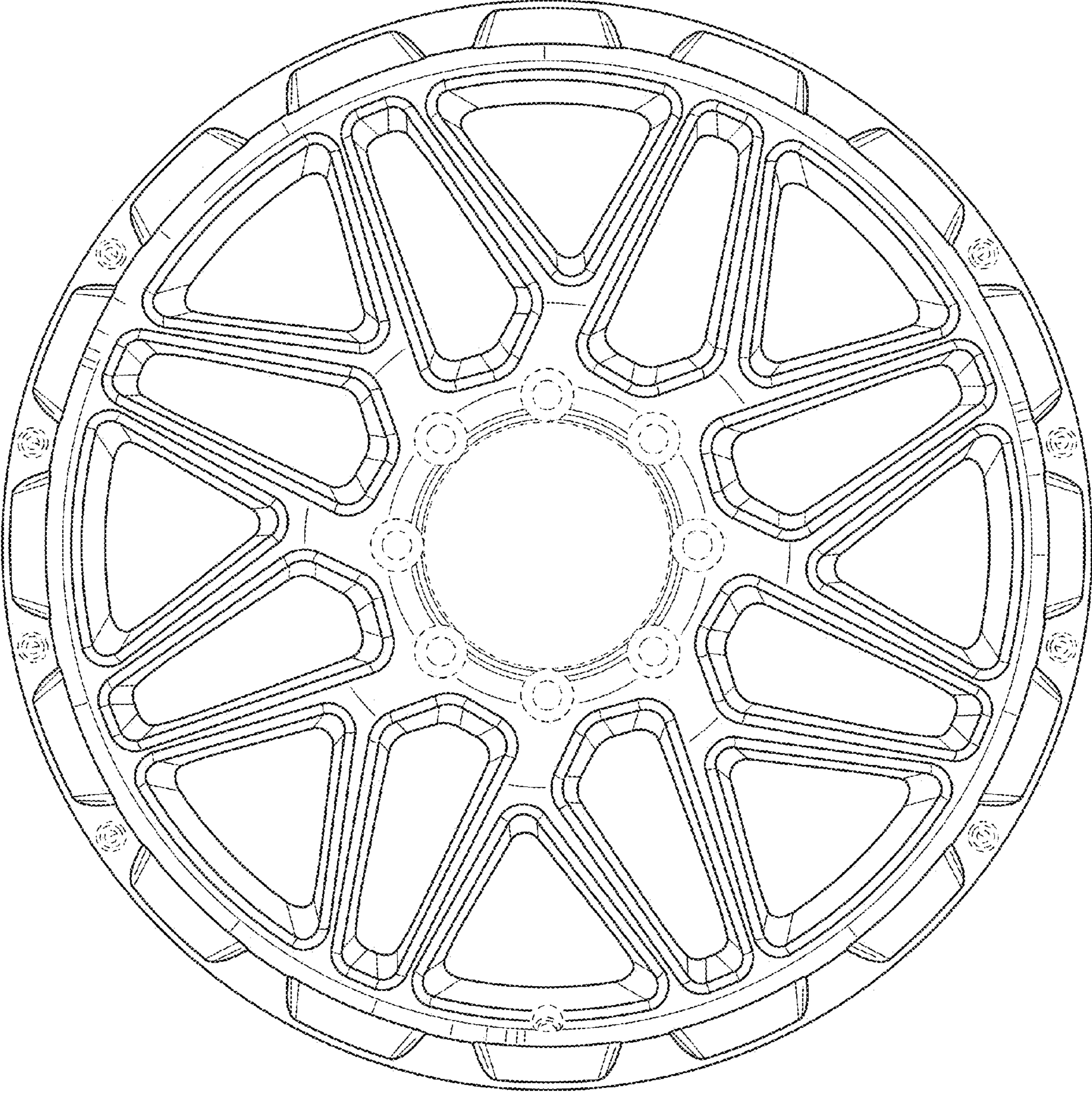


FIGURE 2