

US00D942351S

(12) **United States Design Patent**
Han

(10) **Patent No.:** **US D942,351 S**

(45) **Date of Patent:** **** Feb. 1, 2022**

(54) **AUTOMOTIVE WHEEL**

(71) Applicant: **Donnie Han**, Irvine, CA (US)

(72) Inventor: **Donnie Han**, Irvine, CA (US)

(**) Term: **15 Years**

(21) Appl. No.: **29/757,852**

(22) Filed: **Nov. 10, 2020**

(51) **LOC (13) Cl.** **12-16**

(52) **U.S. Cl.**

USPC **D12/209**

(58) **Field of Classification Search**

USPC D12/204–213; D21/563

CPC B60B 7/00; B60B 7/02; B60B 7/04; B60B 7/01; B60B 7/06; B60B 3/02; B60B 3/04; B60B 3/06; B60B 3/10; B60B 1/00; B60B 1/08; B60B 1/10; B60B 1/12

See application file for complete search history.

(56) **References Cited**

U.S. PATENT DOCUMENTS

D758,941 S * 6/2016 Zhao D12/208
D875,015 S * 2/2020 Shigihara D12/205

D886,704 S * 6/2020 Williams D12/209
D888,637 S * 6/2020 Zhao D12/209
D908,057 S * 1/2021 Mukti D12/209
D912,589 S * 3/2021 Hale, Jr. D12/209
D928,687 S * 8/2021 Podlovits D12/209

* cited by examiner

Primary Examiner — Stacia A Cadmus

(57) **CLAIM**

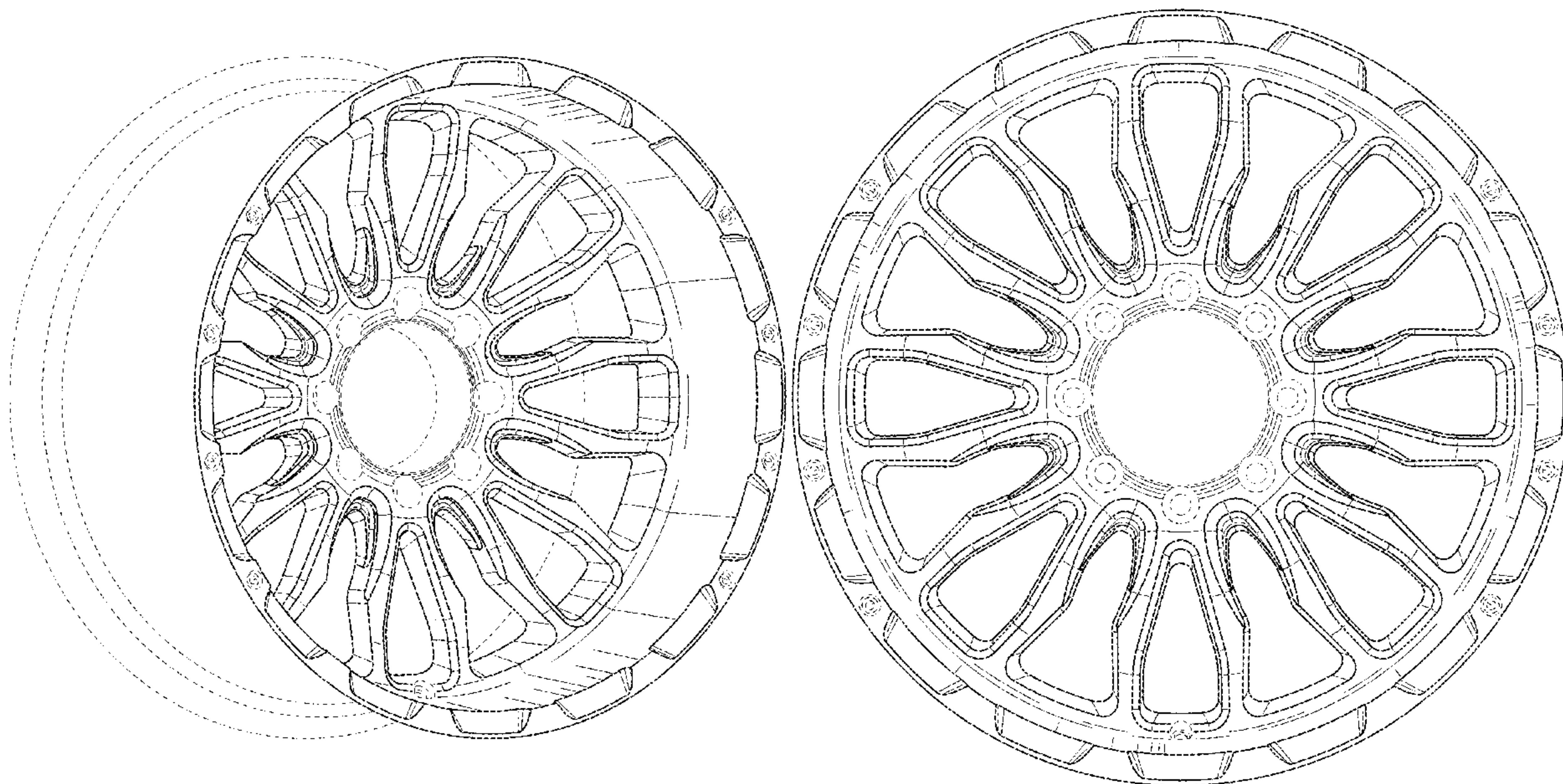
The ornamental design for an automotive wheel, as shown and described.

DESCRIPTION

FIG. 1 is a perspective view of an automotive wheel, showing my new design; and, FIG. 2 is a front view thereof.

In the drawings, the portions of the wheel shown in broken lines form no part of the claimed design.

1 Claim, 2 Drawing Sheets



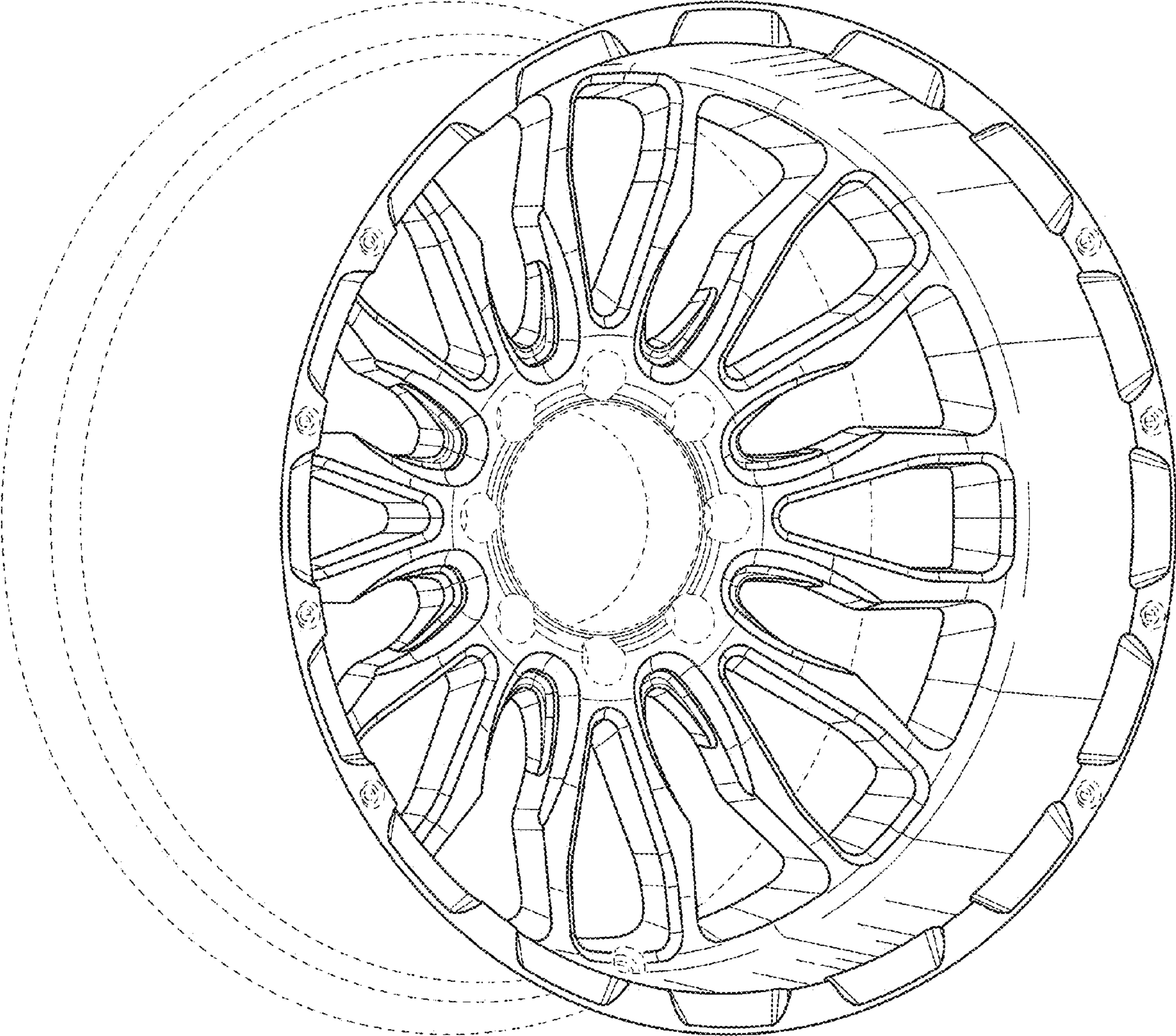


FIGURE 1

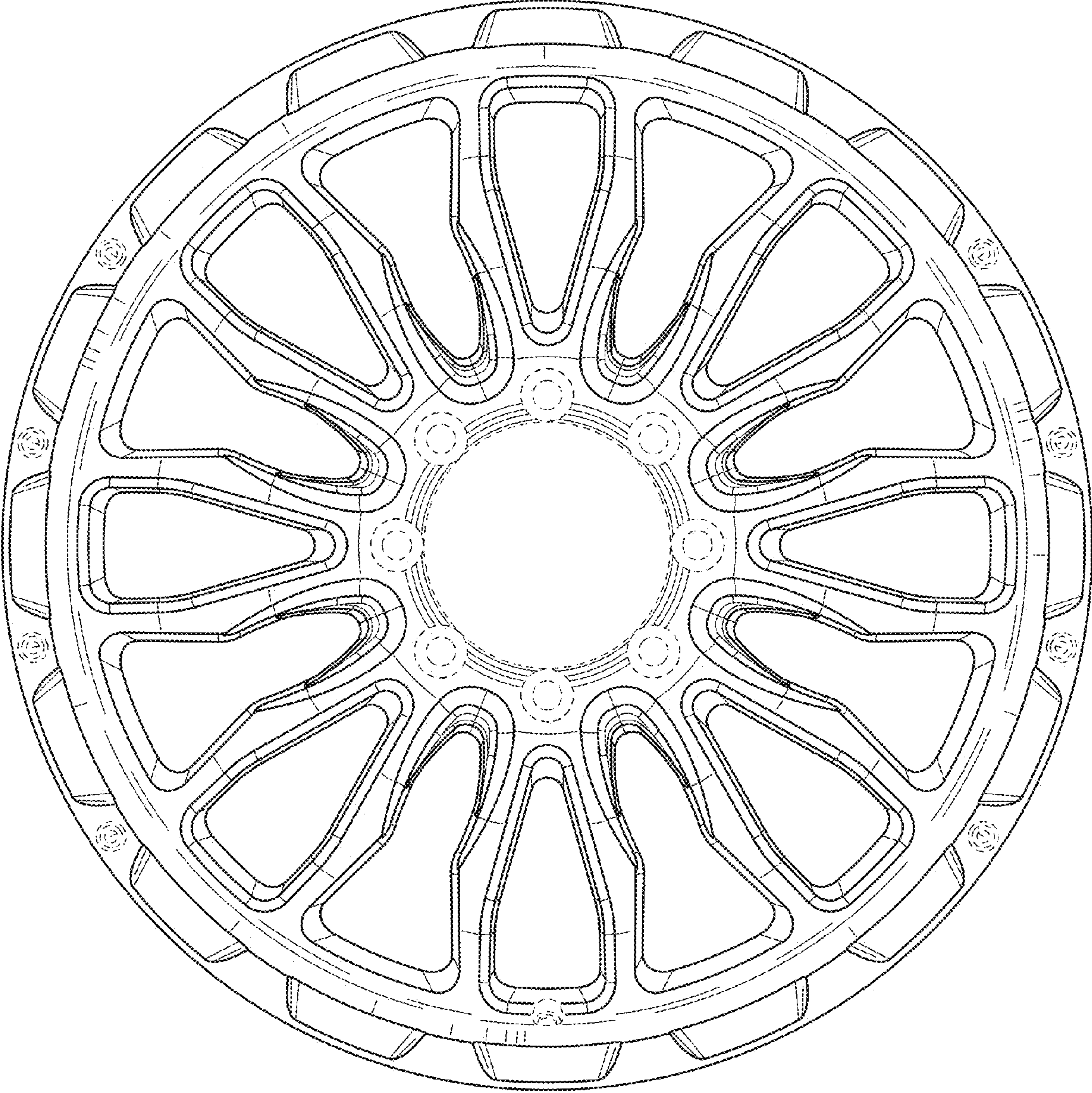


FIGURE 2