



US00D942350S

(12) **United States Design Patent**
Han

(10) **Patent No.:** **US D942,350 S**

(45) **Date of Patent:** **** Feb. 1, 2022**

(54) **AUTOMOTIVE WHEEL**

(71) Applicant: **Donnie Han**, Irvine, CA (US)

(72) Inventor: **Donnie Han**, Irvine, CA (US)

(**) Term: **15 Years**

(21) Appl. No.: **29/755,549**

(22) Filed: **Oct. 21, 2020**

(51) **LOC (13) Cl.** **12-16**

(52) **U.S. Cl.**
USPC **D12/209**

(58) **Field of Classification Search**
USPC D12/204–213; D21/563
CPC B60B 7/00; B60B 7/02; B60B 7/04; B60B
7/01; B60B 7/06; B60B 3/02; B60B 3/04;
B60B 3/06; B60B 3/10; B60B 1/00;
B60B 1/08; B60B 1/10; B60B 1/12
See application file for complete search history.

(56) **References Cited**

U.S. PATENT DOCUMENTS

D743,865 S	*	11/2015	Rueckheim	D12/209
D755,697 S	*	5/2016	Tirado	D12/209
D784,234 S	*	4/2017	Houghton	D12/209
D797,635 S	*	9/2017	Rueckheim	D12/209

D818,927 S	*	5/2018	Valencia Pollex	D12/209
D840,311 S	*	2/2019	Hilton	D12/209
D842,187 S	*	3/2019	Tomasson	D12/209
D845,203 S	*	4/2019	Krause	D12/209
D849,637 S	*	5/2019	Henstridge	D12/209
D859,269 S	*	9/2019	Daniel	D12/209
D887,935 S	*	6/2020	Yeh	D12/209
D888,636 S	*	6/2020	Tomasson	D12/209
D889,363 S	*	7/2020	Henstridge	D12/209
D897,925 S	*	10/2020	Glover	D12/209
D908,057 S	*	1/2021	Mukti	D12/209
D921,555 S	*	6/2021	Qin	D12/209

* cited by examiner

Primary Examiner — Stacia A Cadmus

(57) **CLAIM**

The ornamental design for an automotive wheel, as shown and described.

DESCRIPTION

FIG. 1 is a perspective view of an automotive wheel, showing my new design;

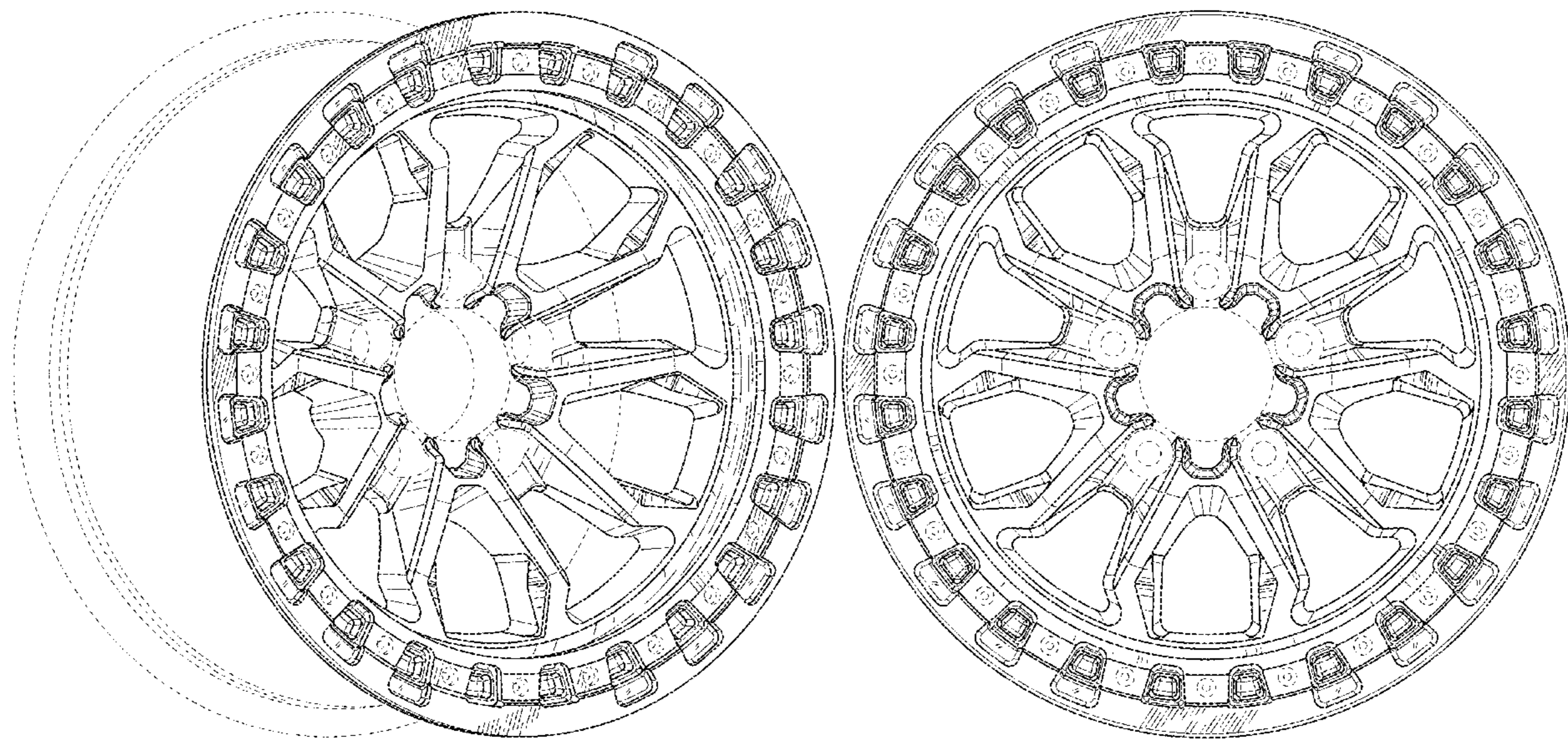
FIG. 2 is a front view thereof;

FIG. 3 is a perspective view of a second embodiment of an automotive wheel, showing my new design; and,

FIG. 4 is a front view of FIG. 3.

In the drawings, the portions of the wheel shown in broken lines form no part of the claimed design.

1 Claim, 4 Drawing Sheets



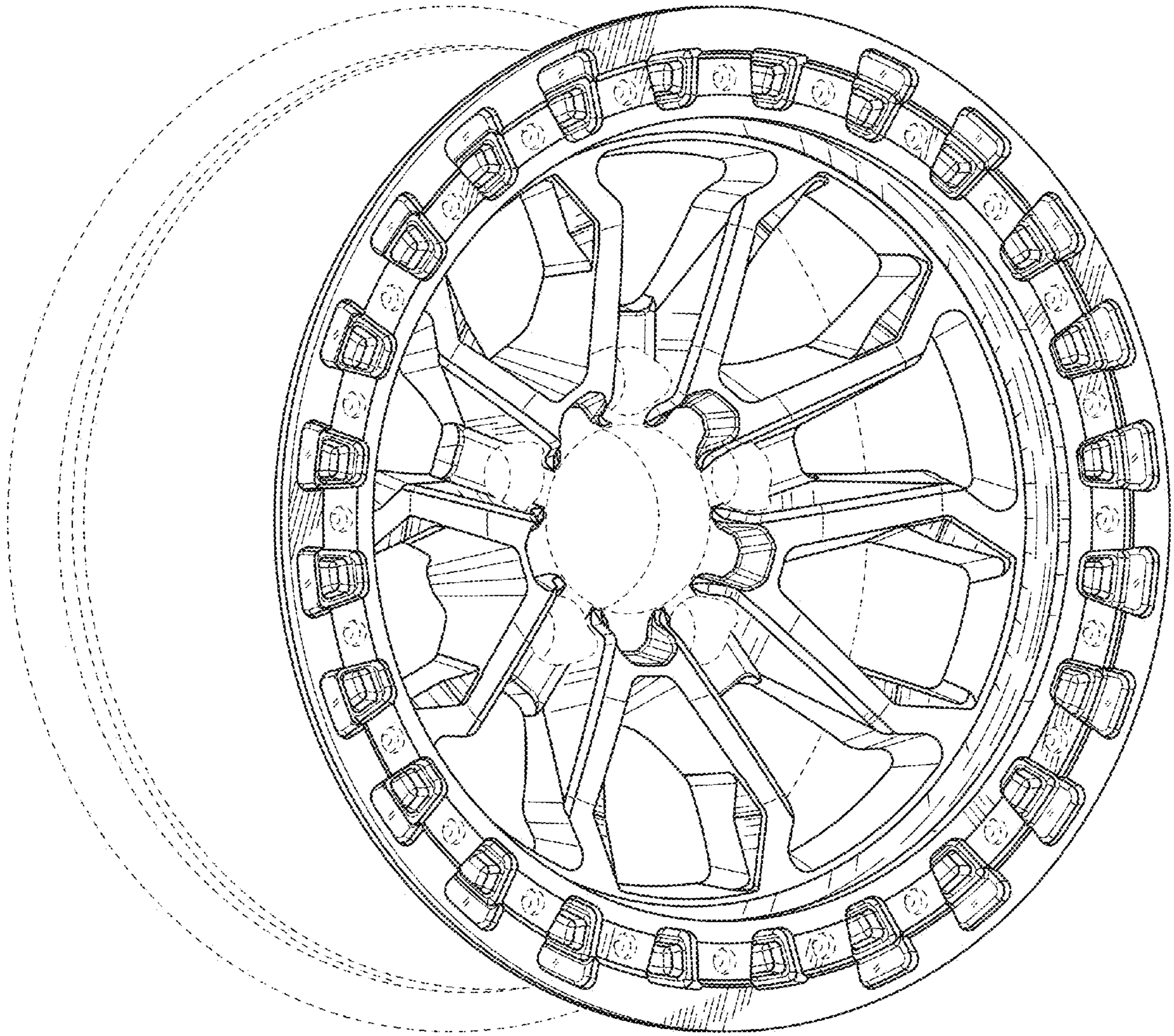


FIGURE 1

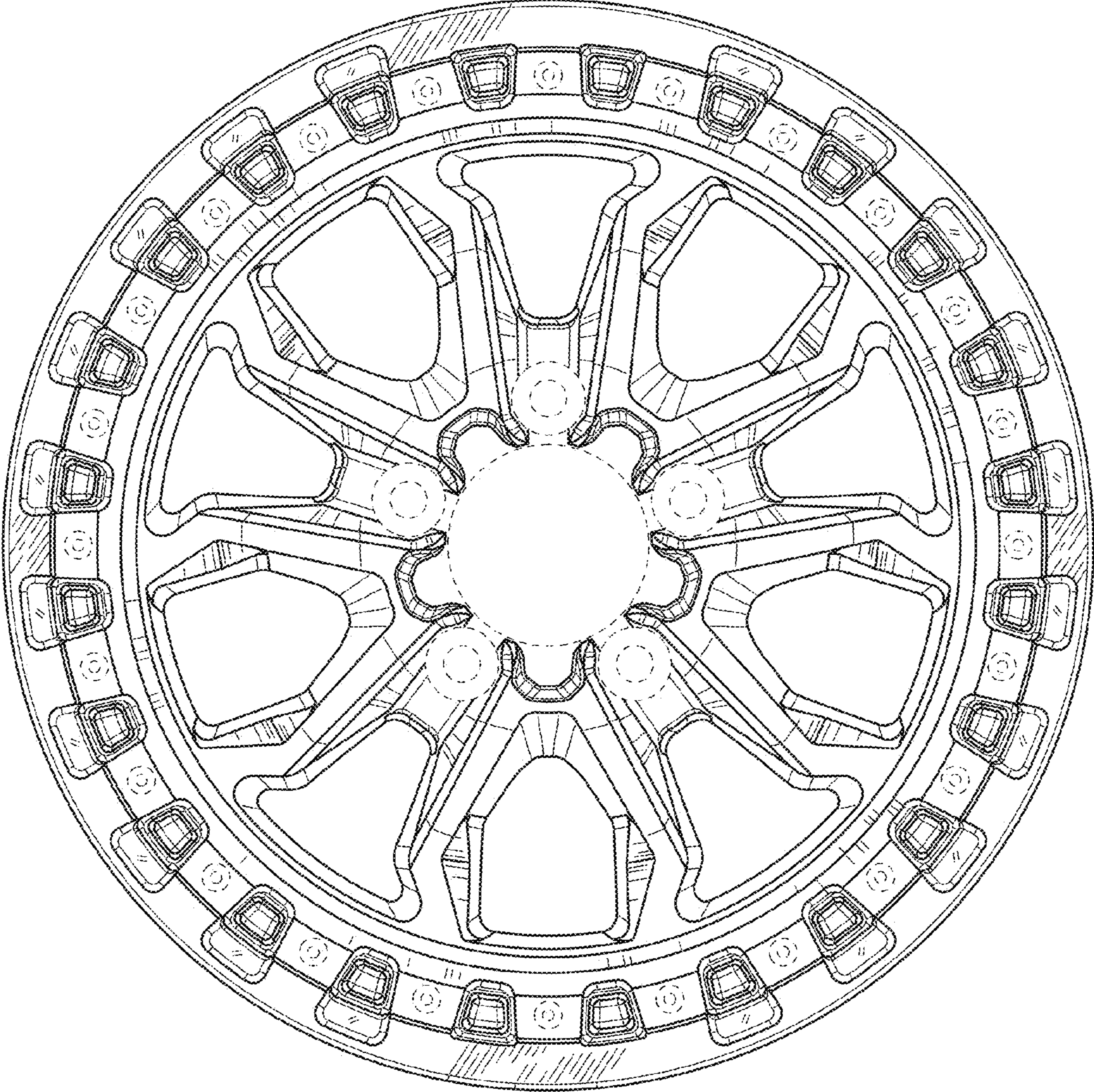


FIGURE 2

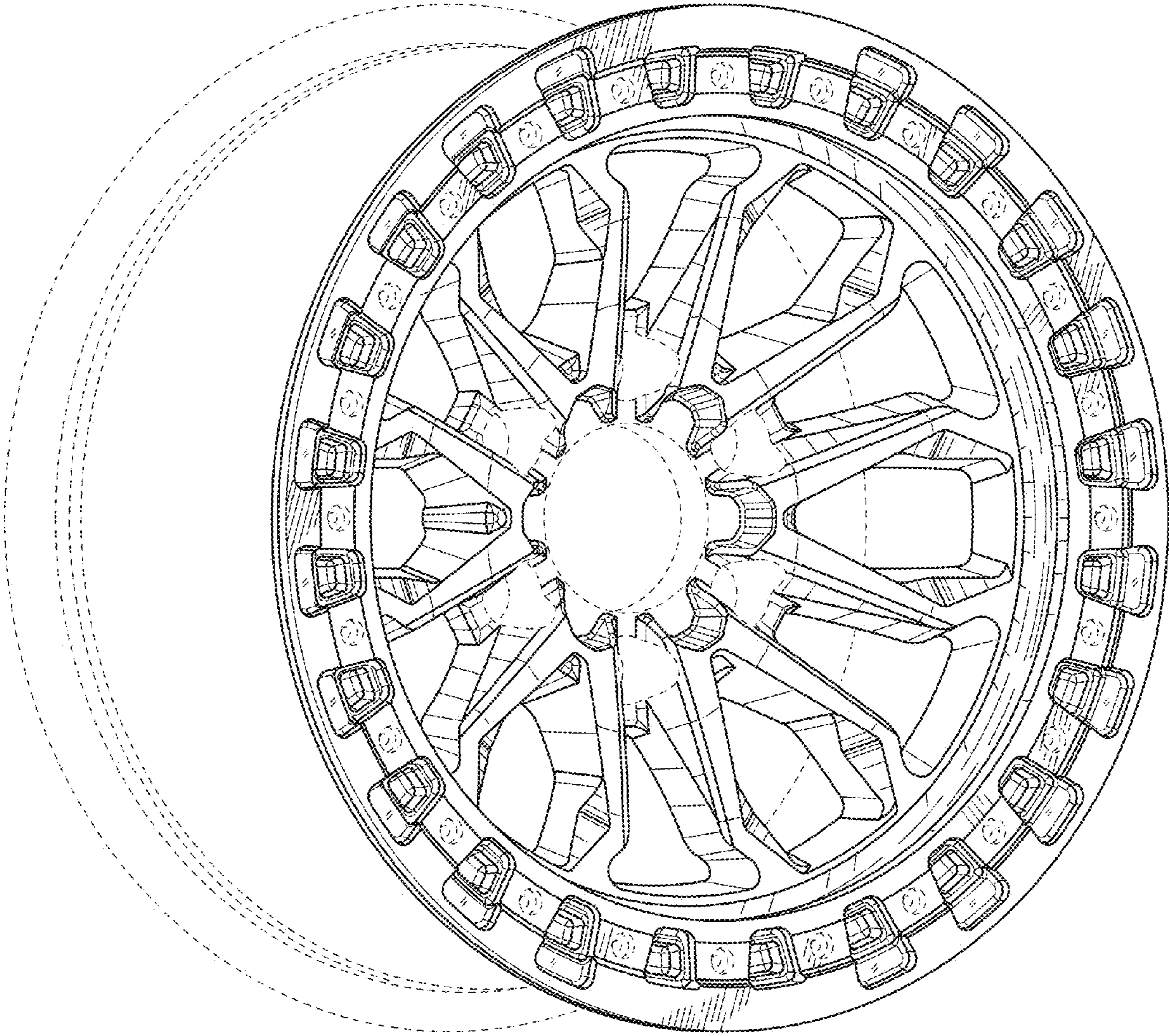


FIGURE 3

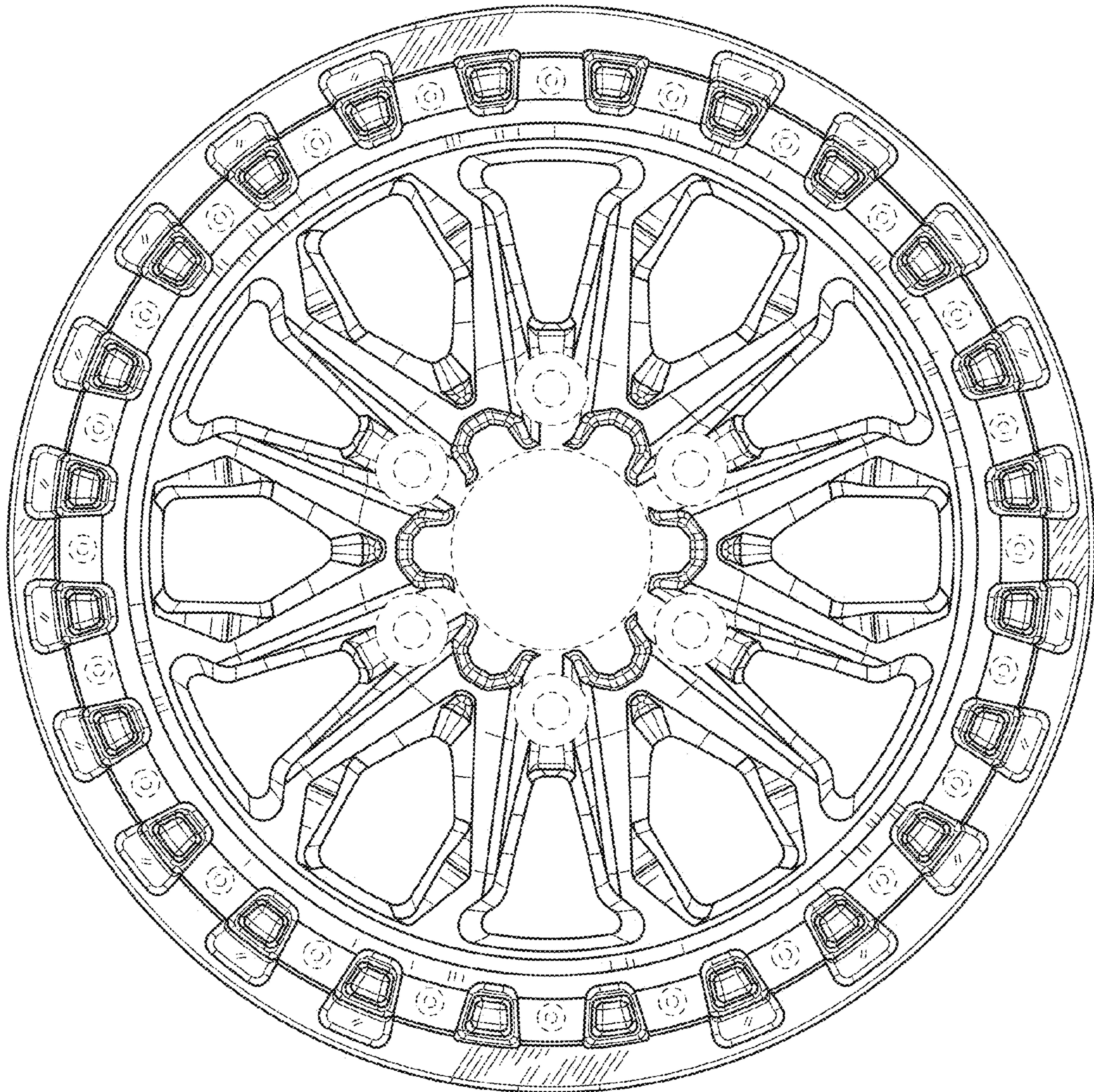


FIGURE 4