



US00D942348S

(12) **United States Design Patent**
Kleinschuster et al.

(10) **Patent No.:** **US D942,348 S**

(45) **Date of Patent:** **** Feb. 1, 2022**

- (54) **VEHICLE WHEEL FRONT FACE**
- (71) Applicant: **Custom Wheel House, LLC**, Santa Fe Springs, CA (US)
- (72) Inventors: **Sean J. Kleinschuster**, Menifee, CA (US); **Max J. Mitchell**, Valley Center, CA (US)
- (73) Assignee: **Custom Wheel House, LLC**, Santa Fe Springs, CA (US)
- (**) Term: **15 Years**
- (21) Appl. No.: **29/748,984**
- (22) Filed: **Sep. 2, 2020**
- (51) **LOC (13) Cl.** **12-16**
- (52) **U.S. Cl.**
USPC **D12/209**
- (58) **Field of Classification Search**
USPC D12/204–213; D21/563
CPC B60B 7/00; B60B 7/02; B60B 7/04; B60B 7/01; B60B 7/06; B60B 3/02; B60B 3/04; B60B 3/06; B60B 3/10; B60B 1/00; B60B 1/08; B60B 1/10; B60B 1/12
See application file for complete search history.

D733,025 S	6/2015	Chung	
D737,191 S	8/2015	Chung	
D758,279 S	6/2016	Platto et al.	
D758,944 S *	6/2016	Rolfs	D12/209
D763,163 S	8/2016	Chung	
D783,498 S	4/2017	Platto et al.	
D790,427 S	6/2017	Palana	
D795,150 S *	8/2017	Tran	D12/209
D796,409 S *	9/2017	Zhao	D12/211
D800,630 S	10/2017	Tran	
D806,626 S	1/2018	Tran	
D806,630 S	1/2018	McMath	
D809,447 S *	2/2018	Wolff	D12/211
D833,950 S	11/2018	Sempek	
D897,257 S *	9/2020	Tran	D12/209
D910,524 S *	2/2021	Han	D12/209
D913,897 S *	3/2021	VanRyn	D12/209
D915,992 S *	4/2021	VanRyn	D12/211
D928,059 S *	8/2021	Han	D12/209
D928,064 S *	8/2021	Snyder	D12/209

* cited by examiner

Primary Examiner — Stacia A Cadmus

(74) *Attorney, Agent, or Firm* — Reising Ethington P.C.; Jeffrey L. Doyle

(57) **CLAIM**

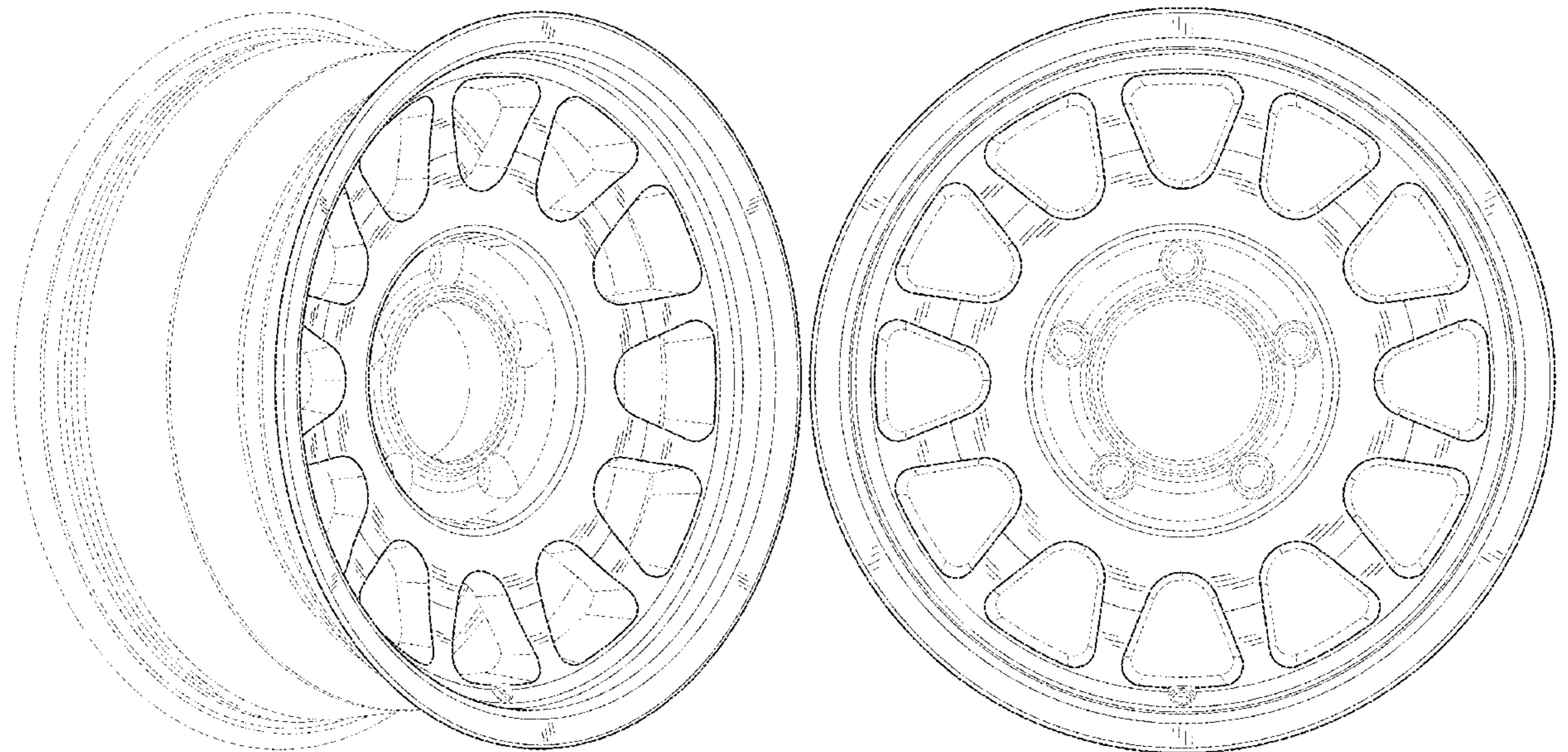
The ornamental design for a vehicle wheel front face, as shown and described.

DESCRIPTION

FIG. 1 is a front perspective view of the vehicle wheel front face;
FIG. 2 is a front elevation view thereof; and,
FIG. 3 is a side elevation view thereof.
In the drawings, the broken lines depict portions of the wheel front face that form no part of the claimed design.

1 Claim, 3 Drawing Sheets

- (56) **References Cited**
U.S. PATENT DOCUMENTS
- D522,439 S * 6/2006 Laengerer D12/211
- D569,778 S 5/2008 Kim
- D714,705 S 10/2014 Kong
- D714,708 S 10/2014 Chung
- D722,548 S 2/2015 Chung
- D727,233 S * 4/2015 Kong D12/209
- D727,829 S 4/2015 Chung



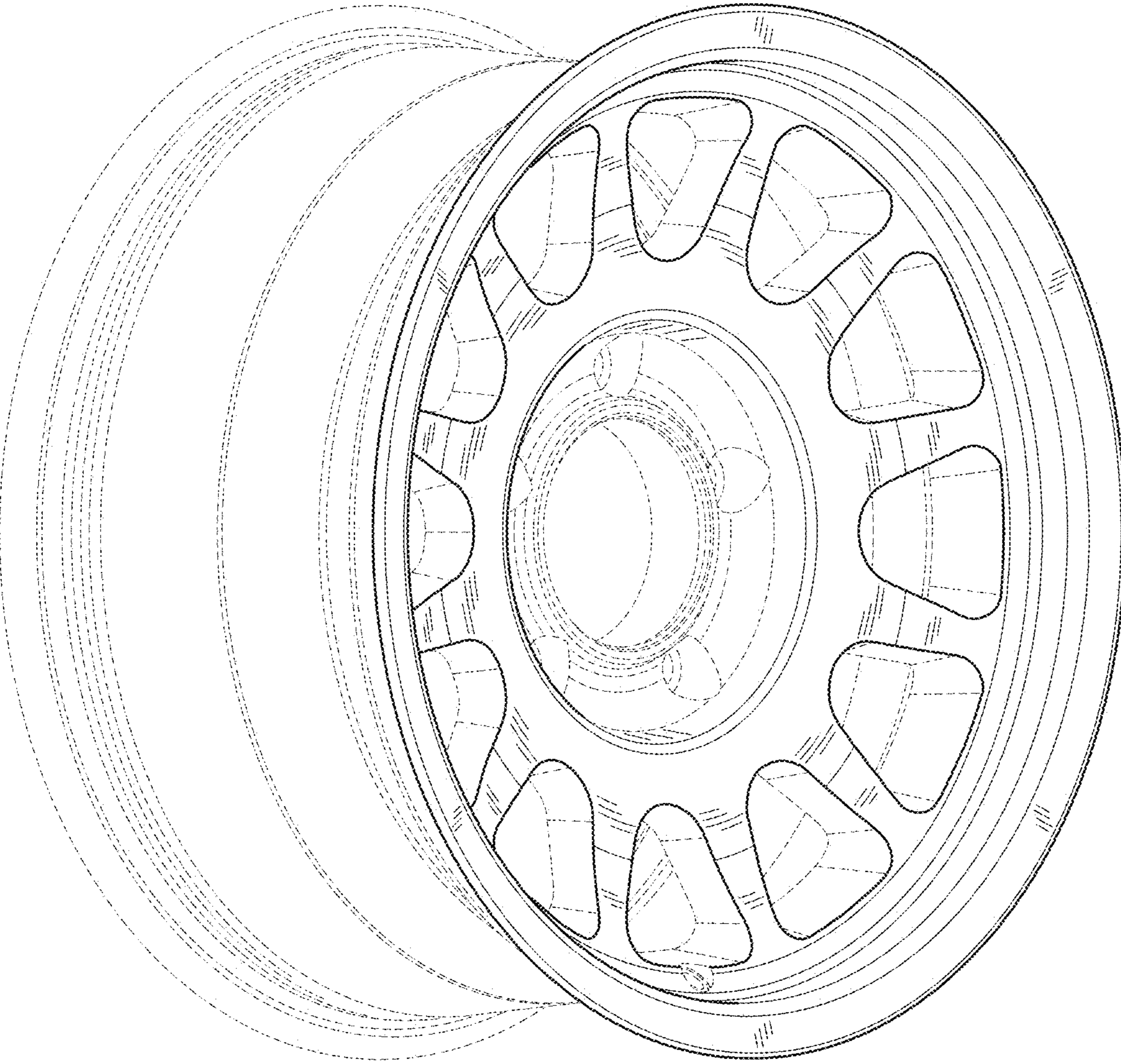


FIG. 1

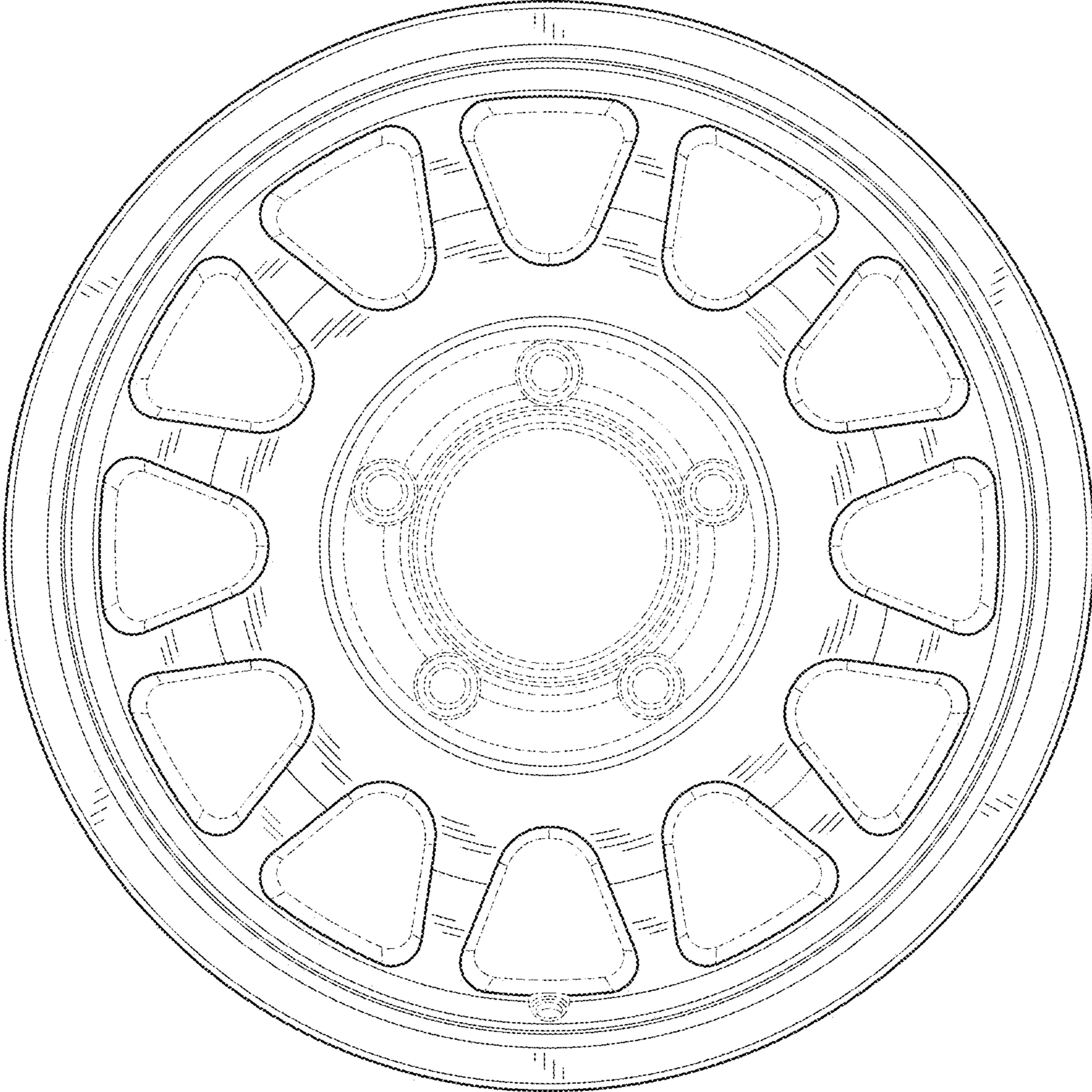


FIG. 2

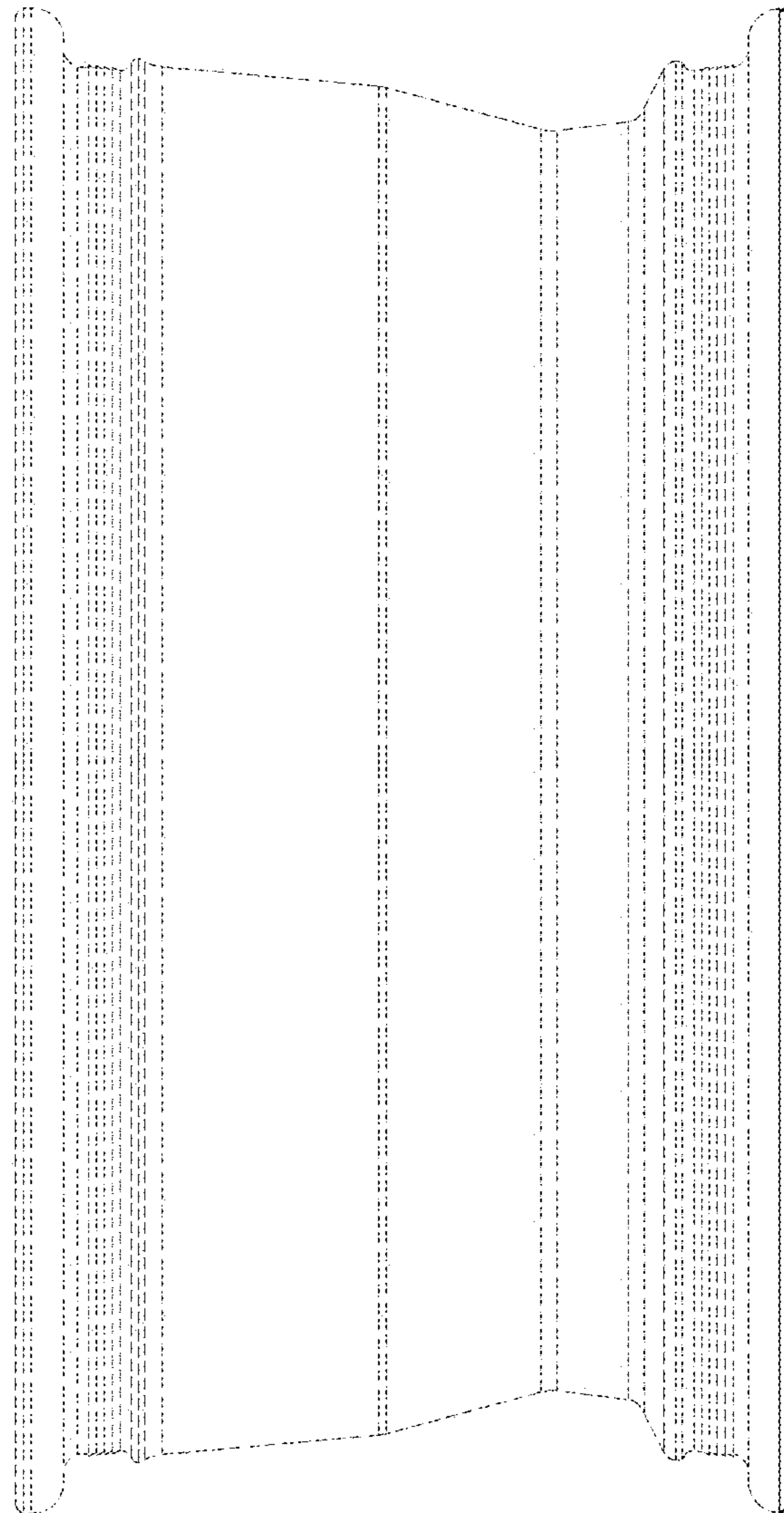


FIG. 3