



US00D942346S

(12) **United States Design Patent**  
**Ishibashi**

(10) **Patent No.:** **US D942,346 S**

(45) **Date of Patent:** **\*\* Feb. 1, 2022**

(54) **WHEEL FOR AN AUTOMOBILE**

(71) Applicant: **Subaru Corporation**, Tokyo (JP)

(72) Inventor: **Daiki Ishibashi**, Tokyo (JP)

(73) Assignee: **Subaru Corporation**, Tokyo (JP)

(\*\*) Term: **15 Years**

(21) Appl. No.: **29/718,012**

(22) Filed: **Dec. 20, 2019**

(30) **Foreign Application Priority Data**

Jul. 5, 2019 (JP) ..... 2019-015193

(51) **LOC (13) Cl.** ..... **12-16**

(52) **U.S. Cl.**  
USPC ..... **D12/209**

(58) **Field of Classification Search**  
USPC ..... D12/204–213; D21/563  
CPC .... B60B 7/00; B60B 7/02; B60B 7/04; B60B 7/01; B60B 7/06; B60B 3/02; B60B 3/04; B60B 3/06; B60B 3/10; B60B 1/00; B60B 1/08; B60B 1/10; B60B 1/12  
See application file for complete search history.

(56) **References Cited**

**U.S. PATENT DOCUMENTS**

D740,734 S \* 10/2015 Wheel ..... D12/209  
D745,842 S \* 12/2015 Wheel ..... D12/209

D786,767 S \* 5/2017 Bjerke ..... D12/209  
D833,951 S \* 11/2018 Wheel ..... D12/211  
D850,351 S \* 6/2019 Wheel ..... D12/211  
D890,068 S \* 7/2020 Junghans ..... D12/209  
D894,074 S \* 8/2020 Woodhouse ..... D12/209  
D899,996 S \* 10/2020 O'Neill ..... D12/209  
D918,815 S \* 5/2021 Andoh ..... D12/209  
D920,875 S \* 6/2021 Andoh ..... D12/209

\* cited by examiner

*Primary Examiner* — Stacia A Cadmus

(74) *Attorney, Agent, or Firm* — Schiff Hardin LLP

(57) **CLAIM**

The ornamental design for a wheel for an automobile, as shown and described.

**DESCRIPTION**

FIG. 1 is a front perspective view for a “wheel for an automobile” showing our new design, FIG. 2 is a rear perspective view thereof, FIG. 3 is a front view thereof, FIG. 4 is a rear view thereof, FIG. 5 is a top view thereof, FIG. 6 is a bottom view thereof, FIG. 7 is a left-side view thereof; and, FIG. 8 is a right-side view thereof.

**1 Claim, 6 Drawing Sheets**

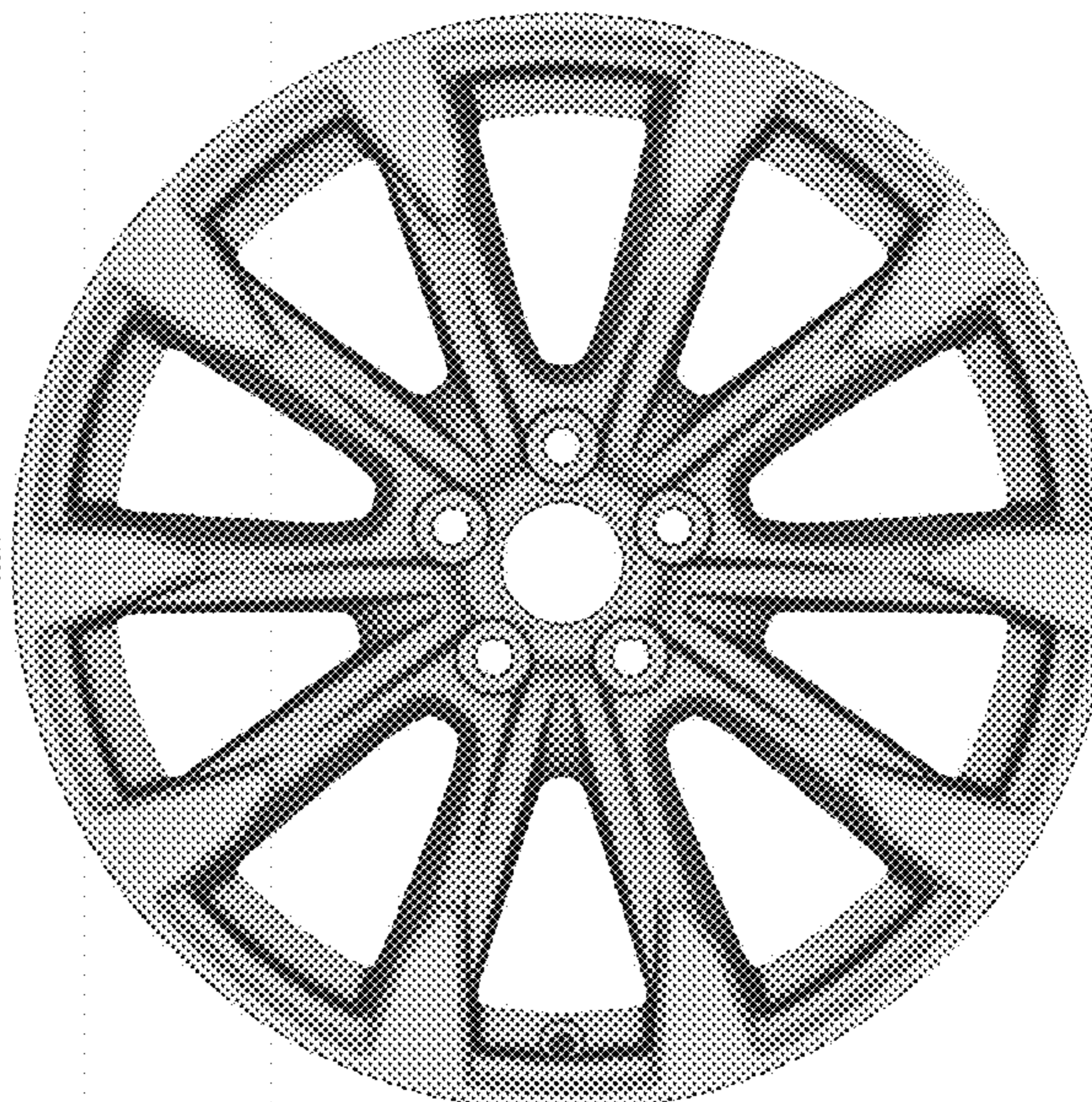
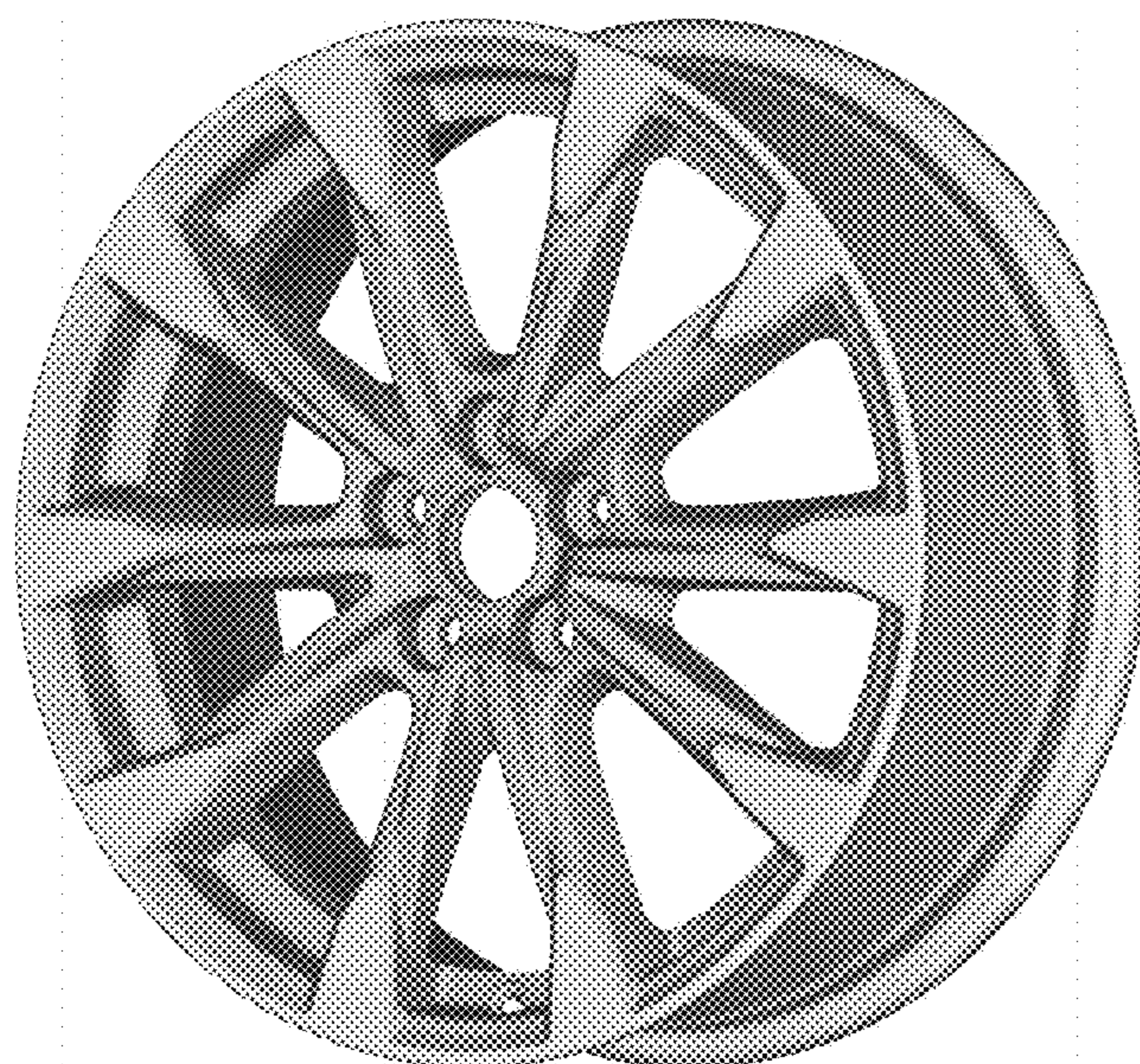




Fig. 1





Fig. 2





Fig. 3





Fig. 4

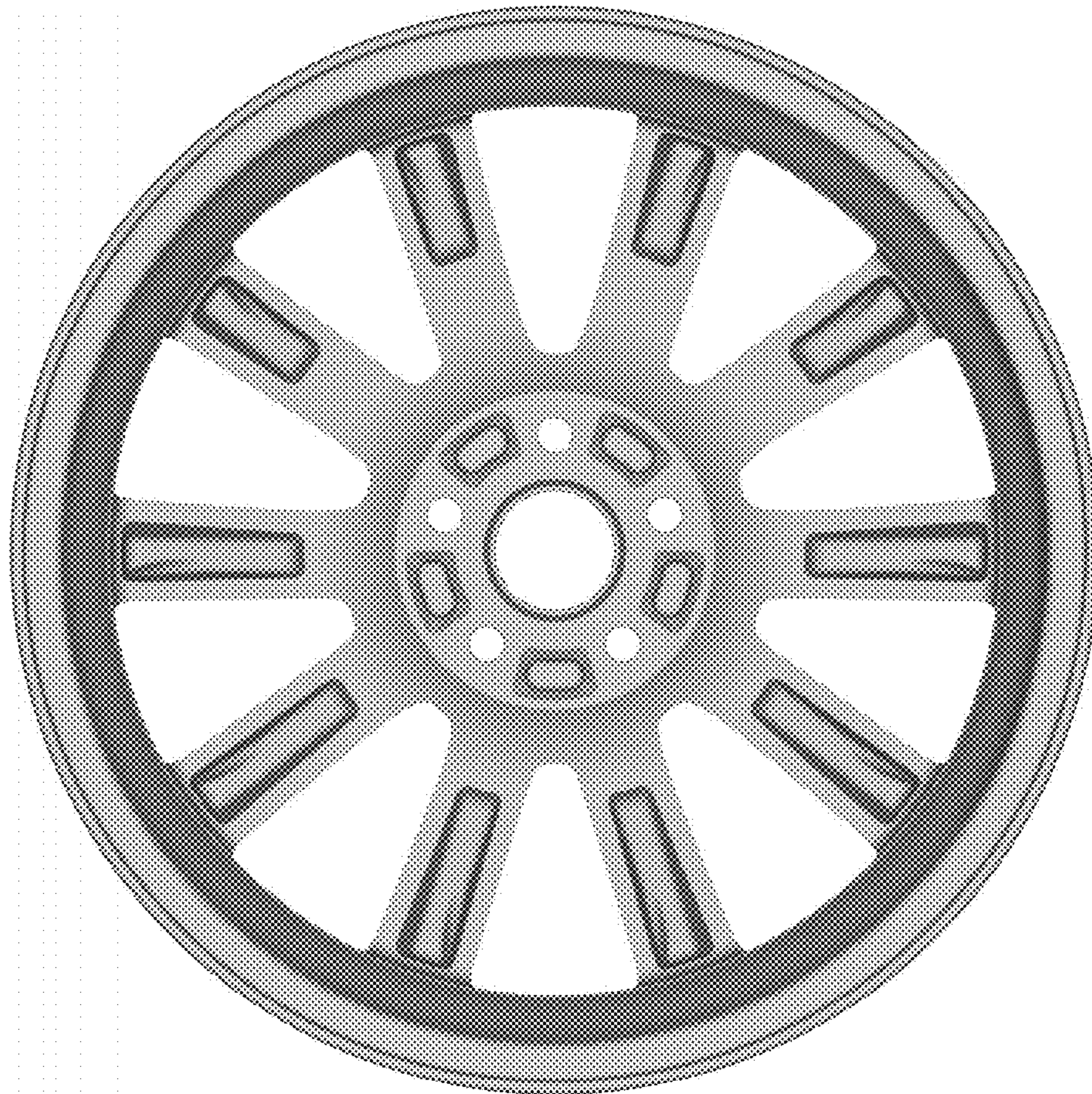




Fig. 5

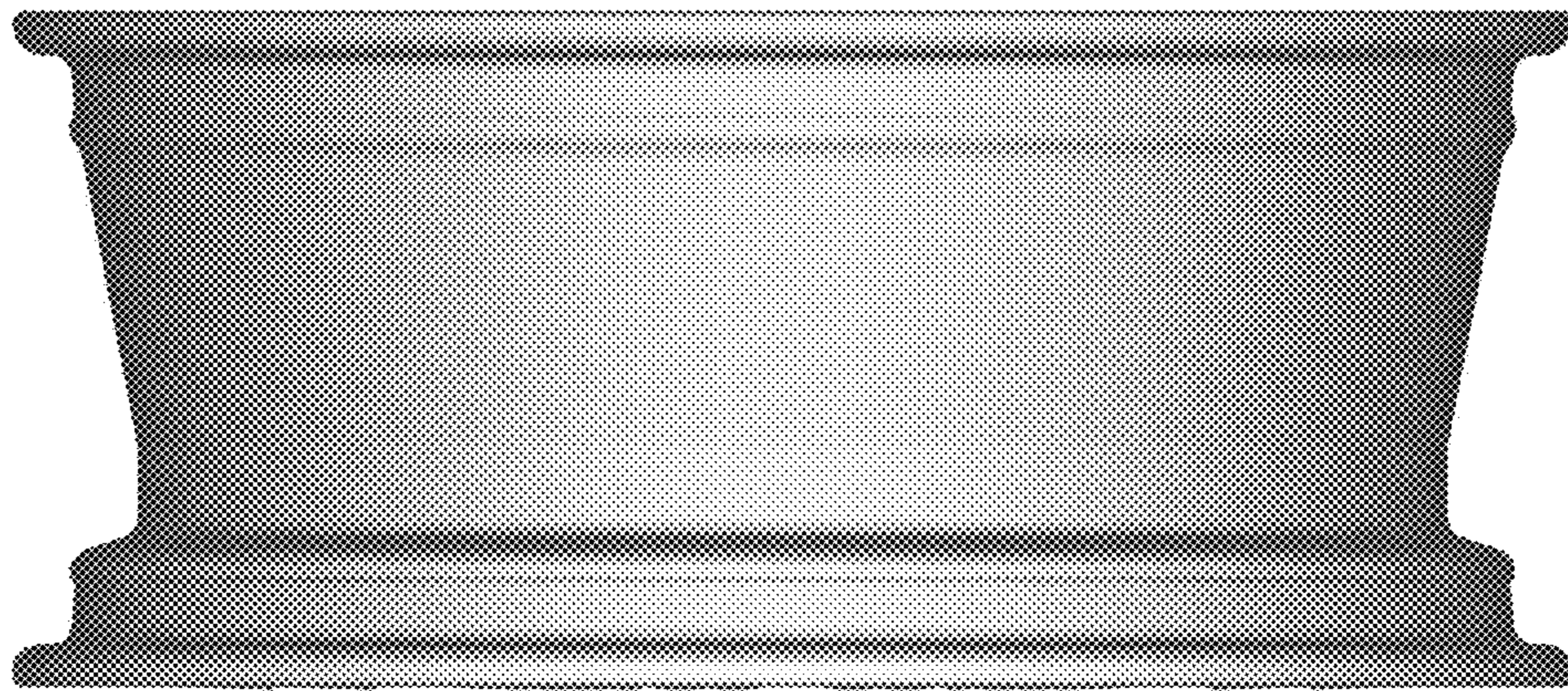


Fig. 6

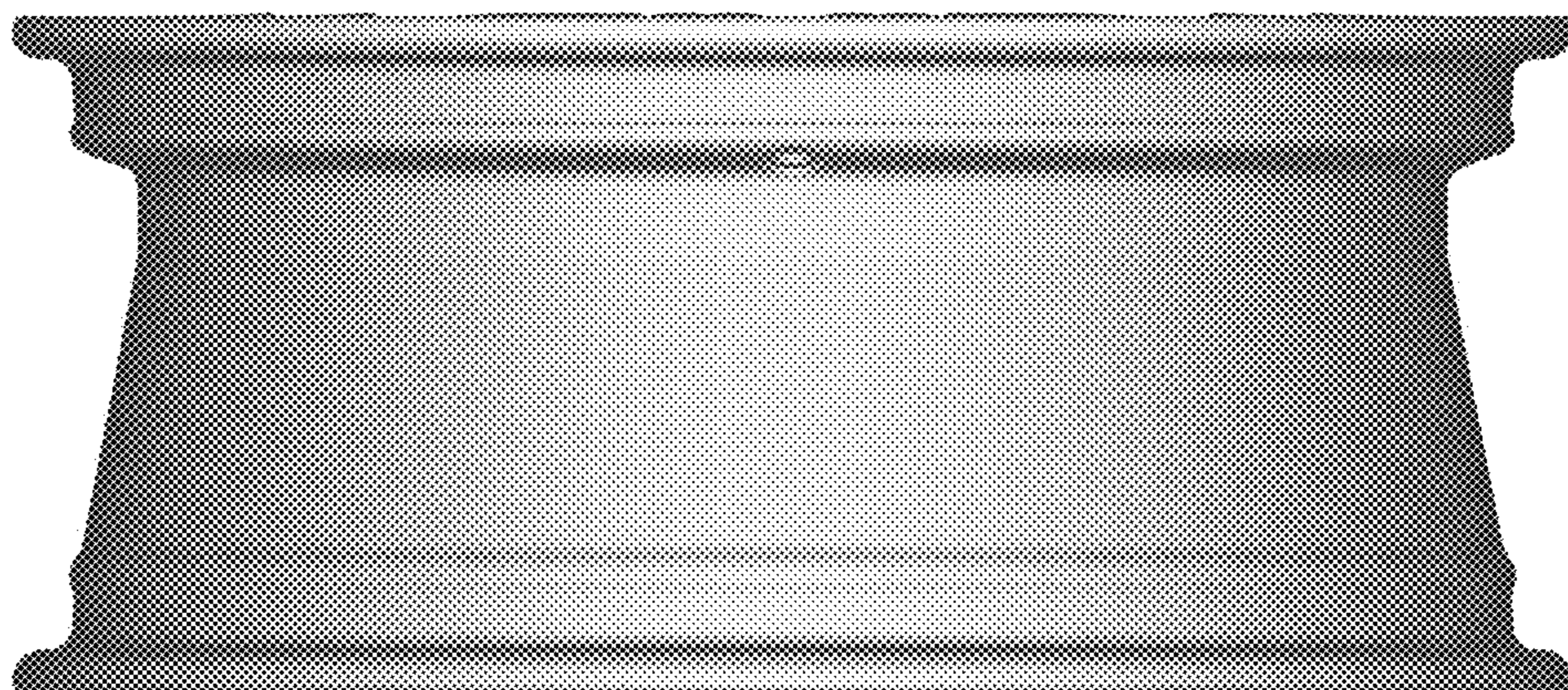




Fig. 7

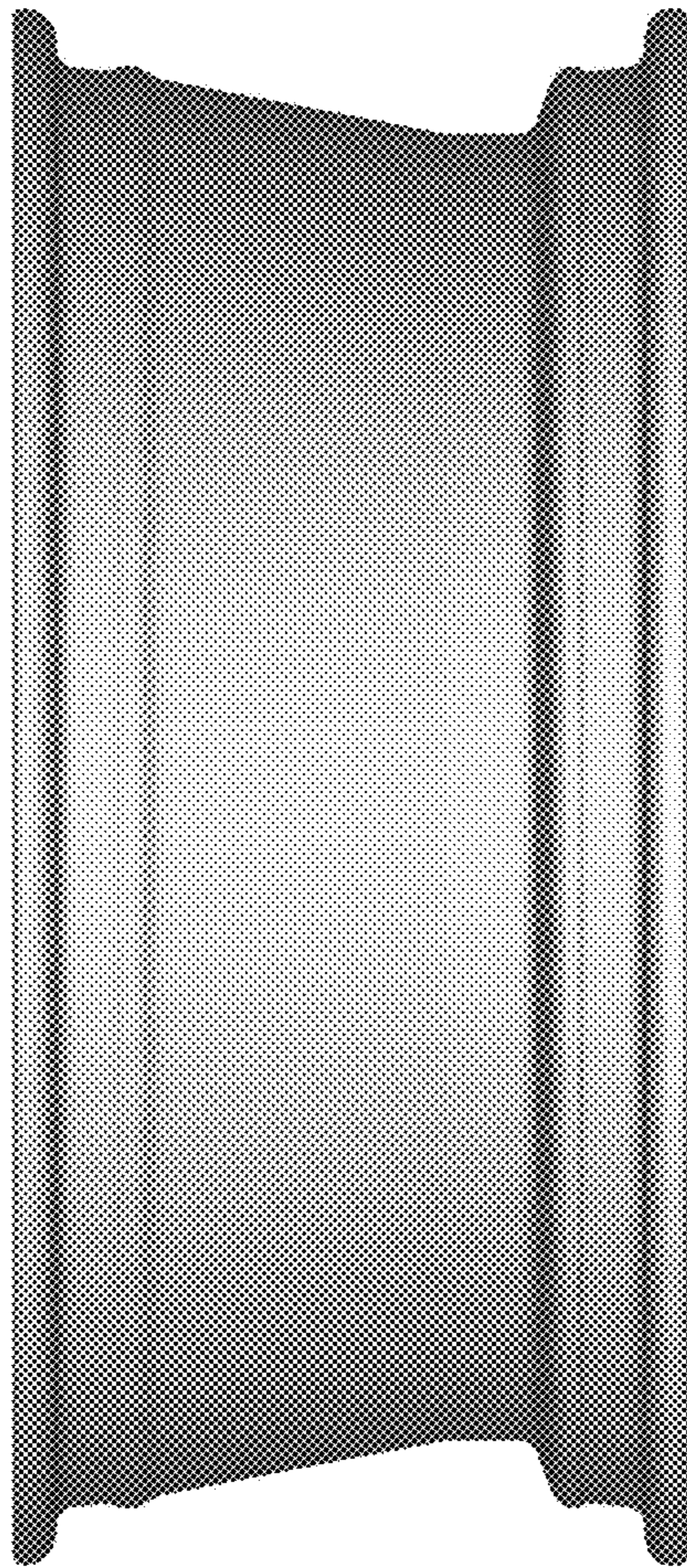


Fig. 8

