



US00D942345S

(12) **United States Design Patent**
Lee

(10) **Patent No.:** **US D942,345 S**

(45) **Date of Patent:** **** Feb. 1, 2022**

(54) **AUTOMOTIVE WHEEL**

(71) Applicant: **Angela Lee**, Chicago, IL (US)

(72) Inventor: **Angela Lee**, Chicago, IL (US)

(**) Term: **15 Years**

(21) Appl. No.: **29/700,738**

(22) Filed: **Aug. 5, 2019**

(51) **LOC (13) Cl.** **12-16**

(52) **U.S. Cl.**
USPC **D12/209**

(58) **Field of Classification Search**
USPC D12/204–213; D21/563
CPC B60B 7/00; B60B 7/02; B60B 7/04; B60B
7/01; B60B 7/06; B60B 3/02; B60B 3/04;
B60B 3/06; B60B 3/10; B60B 1/00;
B60B 1/08; B60B 1/10; B60B 1/12
See application file for complete search history.

(56) **References Cited**

U.S. PATENT DOCUMENTS

D638,339 S *	5/2011	Tirado	D12/209
D660,769 S *	5/2012	Pollmann	D12/211
D723,990 S *	3/2015	Muntada Roura	D12/209
D774,436 S *	12/2016	Valencia Pollex	D12/209
D789,268 S *	6/2017	Gallert	D12/209
D801,906 S *	11/2017	Burki	D12/211
D830,933 S *	10/2018	Zhao	D12/209
D835,560 S *	12/2018	Hilton	D12/209
D847,067 S *	4/2019	Groth	D12/209

D853,305 S *	7/2019	Valencia Pollex	D12/209
D873,756 S *	1/2020	Melville-Brown	D12/209
D877,681 S *	3/2020	Gallert	D12/211
D881,101 S *	4/2020	Liu	D12/209
D889,364 S *	7/2020	Han	D12/209
D889,373 S *	7/2020	Hodges	D12/211
D892,017 S *	8/2020	Han	D12/209
D895,520 S *	9/2020	Badstuebner	D12/211
D909,271 S *	2/2021	Hubner	D12/209
D915,983 S *	4/2021	Chu	D12/209
D928,060 S *	8/2021	Han	D12/209
2002/0158504 A1 *	10/2002	Ito	B60B 3/06 301/65

* cited by examiner

Primary Examiner — Stacia A Cadmus

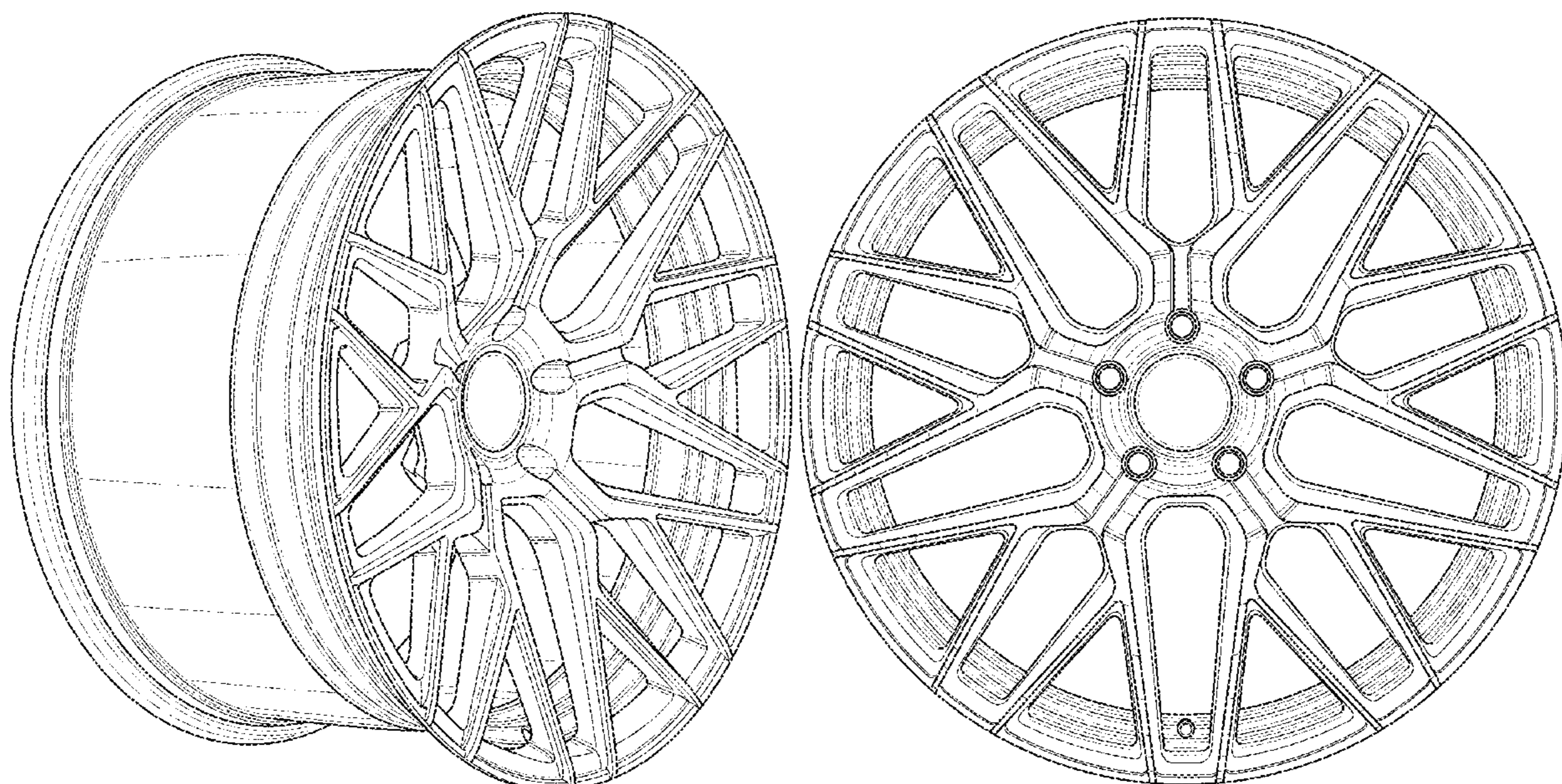
(57) **CLAIM**

I claim the ornamental design for an automotive wheel, as shown and described.

DESCRIPTION

FIG. 1 is a front perspective view of the automotive wheel of the claimed design;
FIG. 2 is a front view of the automotive wheel of FIG. 1;
FIG. 3 is a bottom view of the automotive wheel of FIG. 1;
FIG. 4 is a top view of the automotive wheel of FIG. 1;
FIG. 5 is a right side view of the automotive wheel of FIG. 1; and,
FIG. 6 is a left side view of the automotive wheel of FIG. 1.

1 Claim, 5 Drawing Sheets



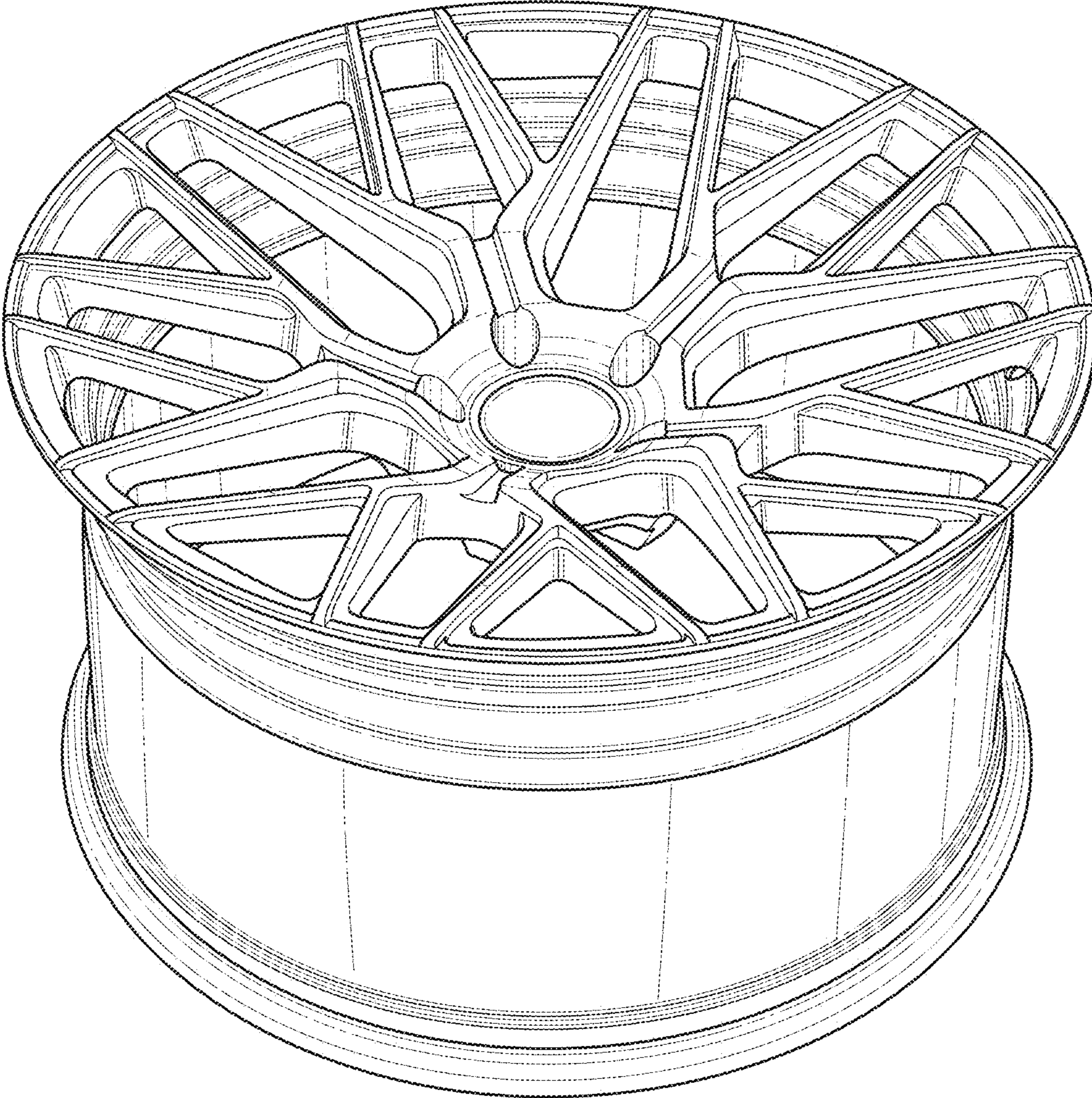


FIG. 1

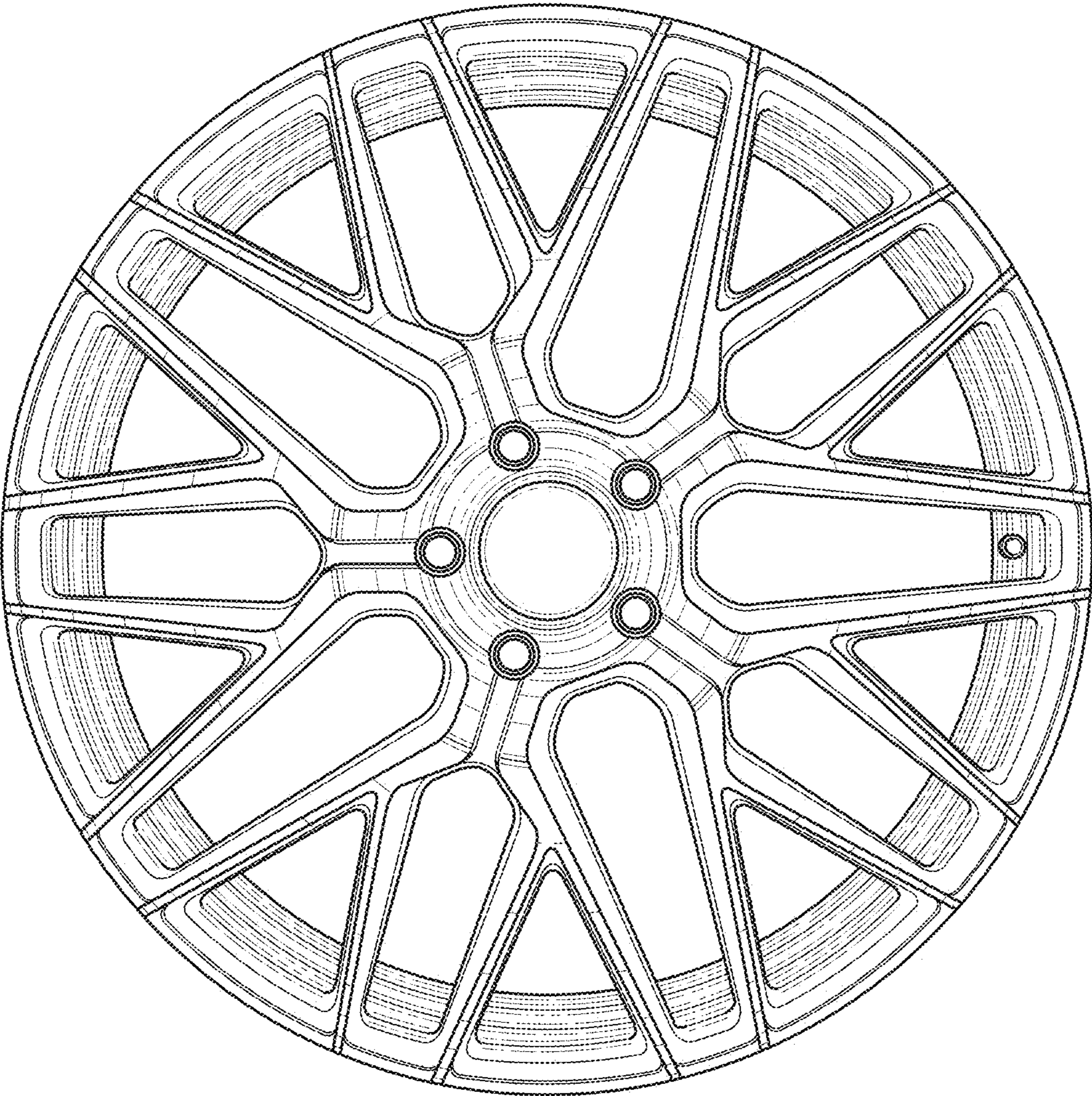


FIG. 2

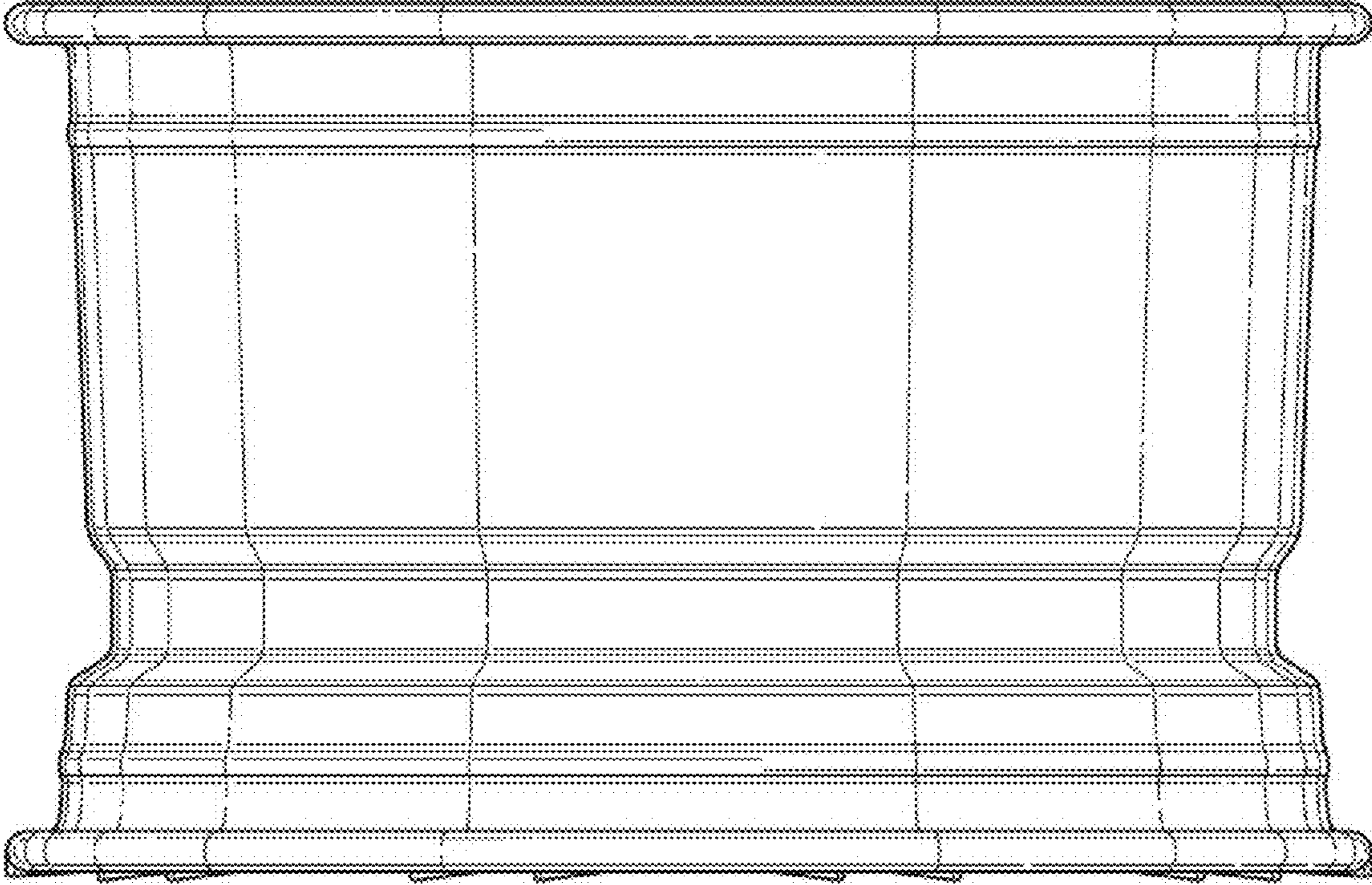


FIG. 4

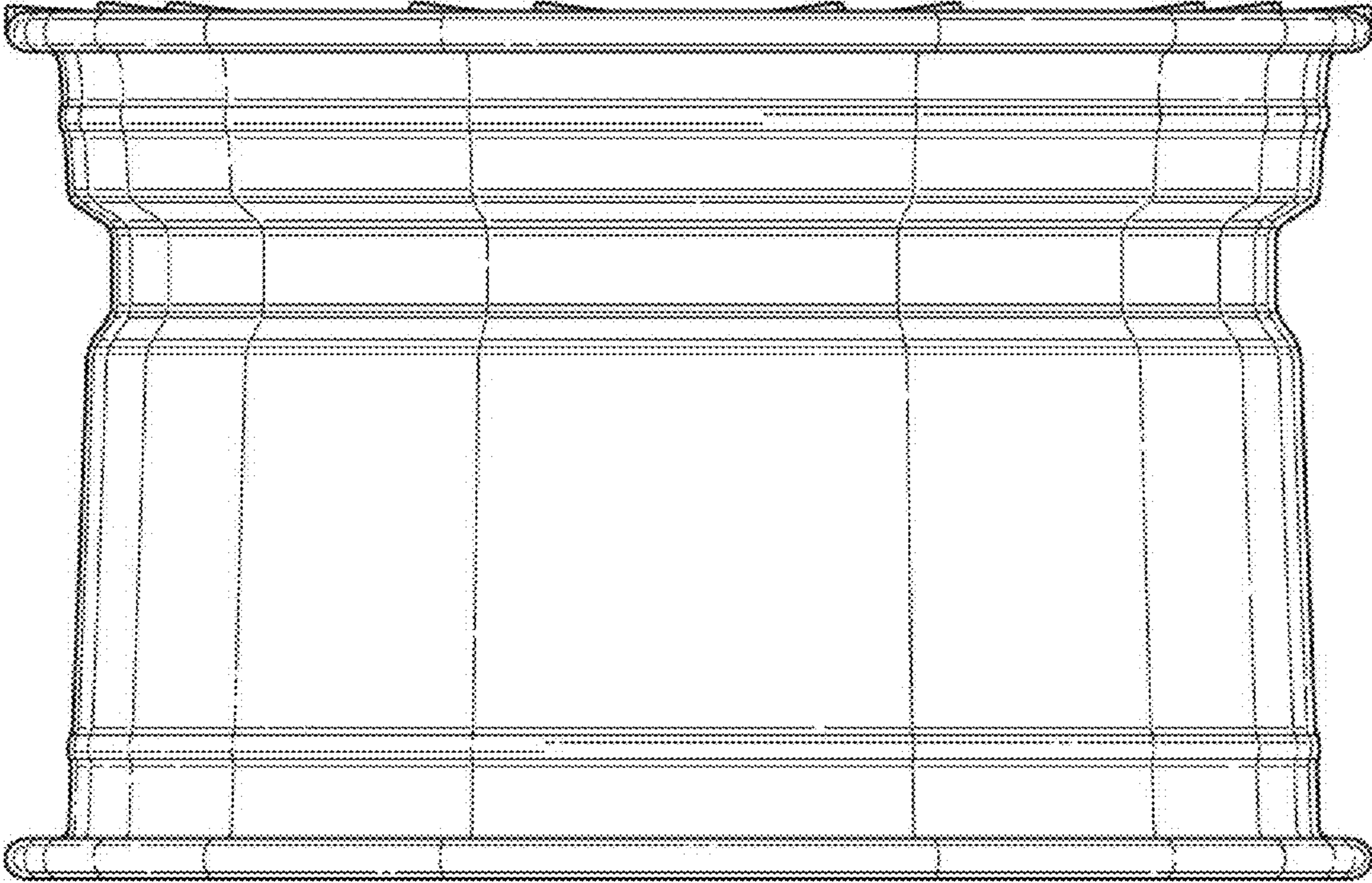


FIG. 3

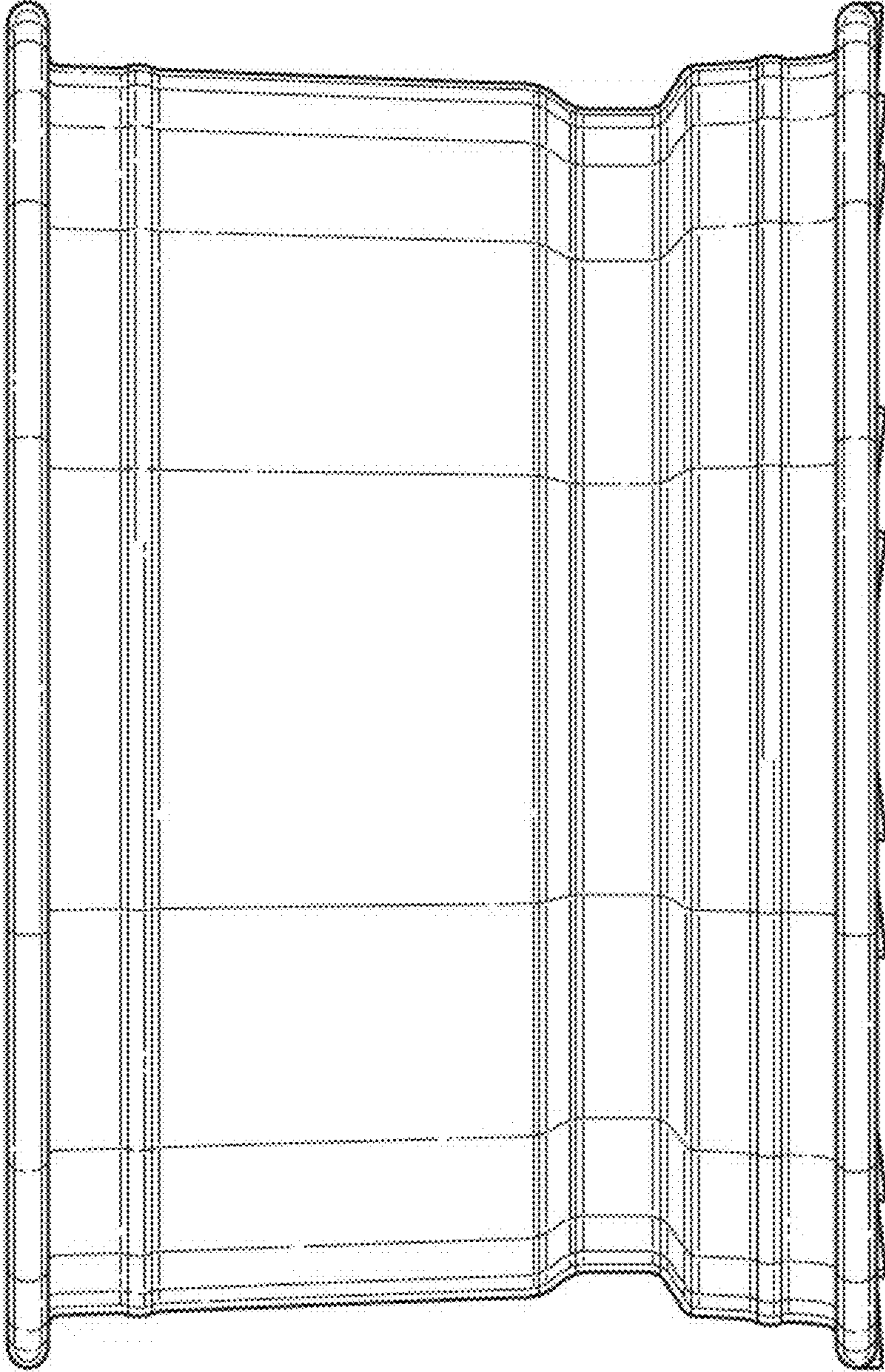


FIG. 5

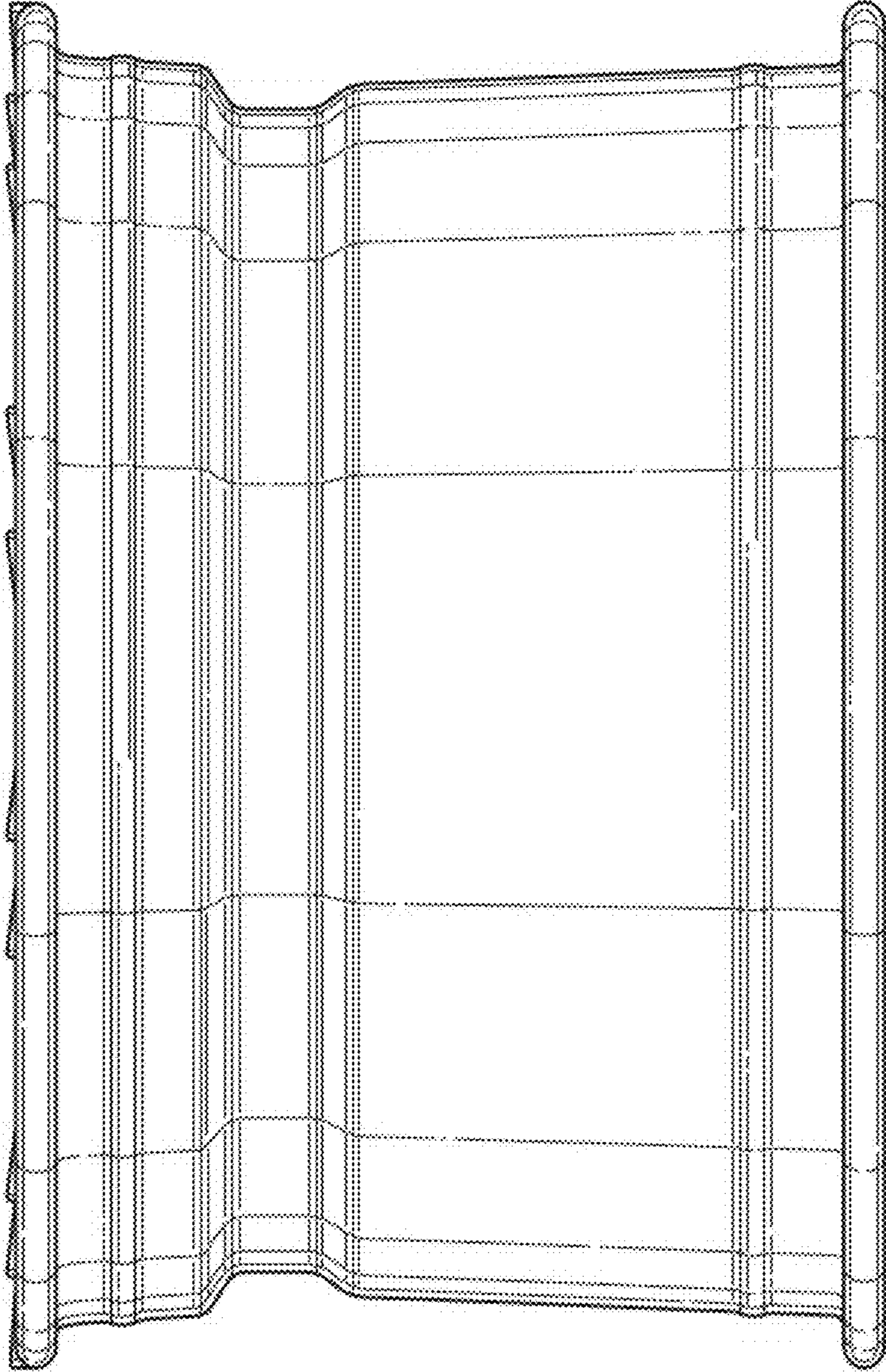


FIG. 6